



US00D913082S

(12) **United States Design Patent**
DeVries et al.

(10) **Patent No.:** **US D913,082 S**
(45) **Date of Patent:** **** Mar. 16, 2021**

- (54) **WHEEL ASSEMBLY**
- (71) Applicant: **Exemplis LLC**, Cypress, CA (US)
- (72) Inventors: **Paul DeVries**, Huntington Beach, CA (US); **Mitchell Mulder**, White Salmon, WA (US)
- (73) Assignee: **EXEMPLIS LLC**, Cypress, CA (US)
- (**) Term: **15 Years**
- (21) Appl. No.: **29/681,525**
- (22) Filed: **Feb. 26, 2019**

D296,300 S *	6/1988	Doyle	D8/375
D329,011 S *	9/1992	Block	D8/375
D505,316 S *	5/2005	Topel	D8/375
D557,121 S *	12/2007	Screen	D8/375
D557,123 S *	12/2007	Screen	D8/375
D573,452 S *	7/2008	Graffunder	D8/375
D593,400 S *	6/2009	Jones	D8/375
D593,847 S *	6/2009	Graffunder	D8/375
D594,316 S *	6/2009	Rhein	D8/375
D603,690 S *	11/2009	Rhein	D8/375
D662,401 S *	6/2012	Lin	D8/375

* cited by examiner

Primary Examiner — Mimosa De

(74) *Attorney, Agent, or Firm* — Knobbe, Martens, Olson & Bear, LLP

Related U.S. Application Data

- (63) Continuation of application No. 29/650,977, filed on Jun. 11, 2018.
- (51) **LOC (13) Cl.** **08-05**
- (52) **U.S. Cl.**
USPC **D8/375**
- (58) **Field of Classification Search**
USPC D6/334-336, 364, 365, 366, 367, 374, D6/375, 379, 380, 716, 716.1, 716.2, D6/716.4, 708.23, 708.24; D8/375
CPC A47C 7/002; A47C 7/004; A47C 7/006; A47C 7/48; A47C 3/20; A47C 3/24; B60B 33/00; B60B 33/001; B60B 33/0002; B60B 33/0028; B60B 33/0039; B60B 33/0044; B60B 33/0047; B60B 33/0068; Y10T 16/18; Y10T 16/209; Y10T 16/216; A48B 91/06; F16C 16/006; F16C 2326/02
See application file for complete search history.

(57) **CLAIM**

The ornamental design for a wheel assembly, as show and described.

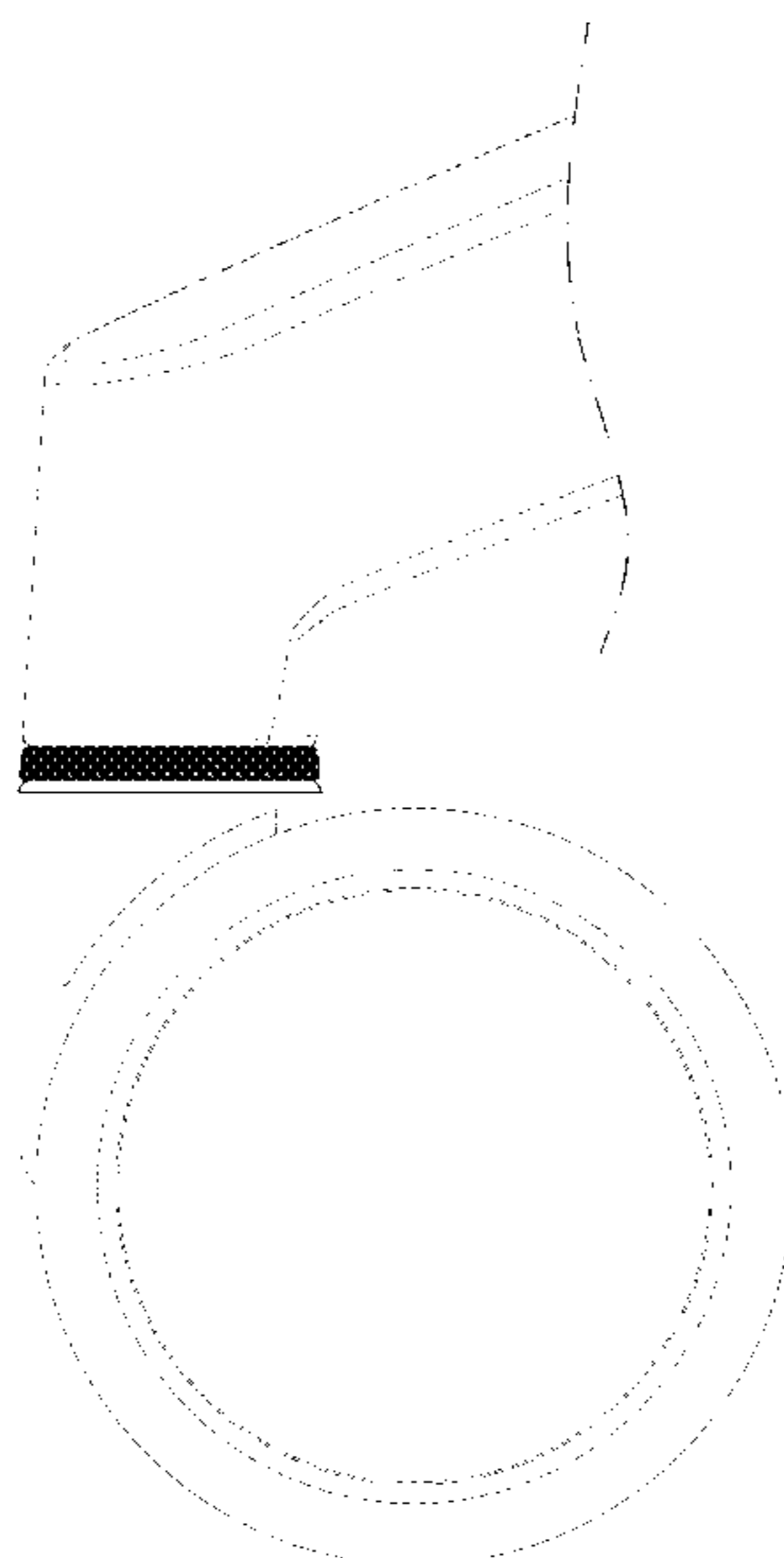
DESCRIPTION

FIG. 1 is a top, rear, and left side perspective view of a wheel assembly;
 FIG. 2 is a bottom, front, and right side perspective view thereof;
 FIG. 3 is a left-side view thereof;
 FIG. 4 is a right-side view thereof;
 FIG. 5 is a front view thereof;
 FIG. 6 is a rear view thereof;
 FIG. 7 is a top view thereof; and,
 FIG. 8 is a bottom view thereof.
 Phantom lining, where utilized, is for illustrative purposes only and is not intended to limit the claimed design to the features shown in phantom. All features illustrated in phantom line are expressly disclaimed and form no part of the claimed design.

(56) **References Cited**
U.S. PATENT DOCUMENTS

- D130,592 S * 12/1941 Parkhill D8/375
- D241,611 S * 9/1976 Crescenzi D8/375

1 Claim, 8 Drawing Sheets



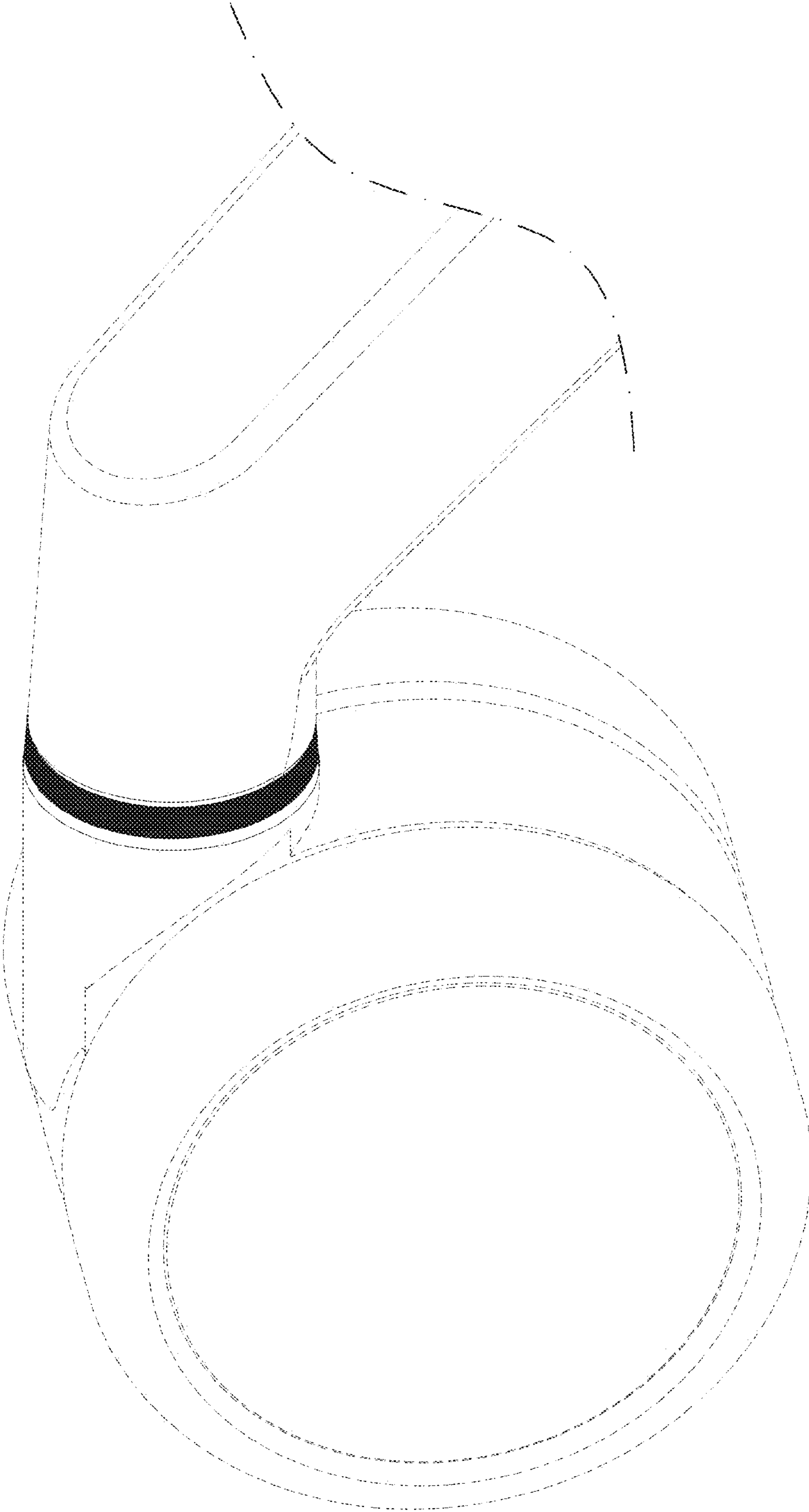


FIG. 1

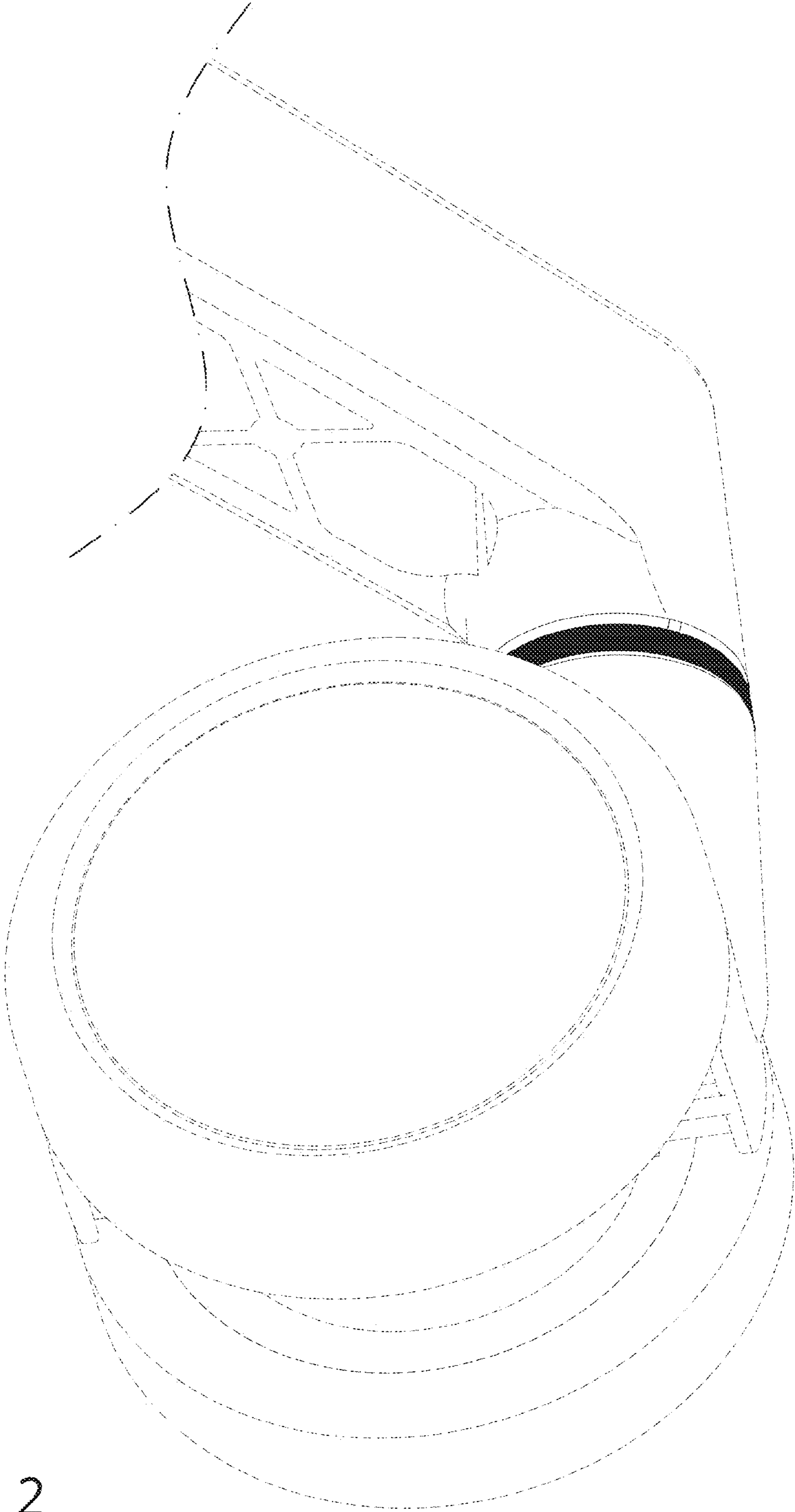


FIG. 2

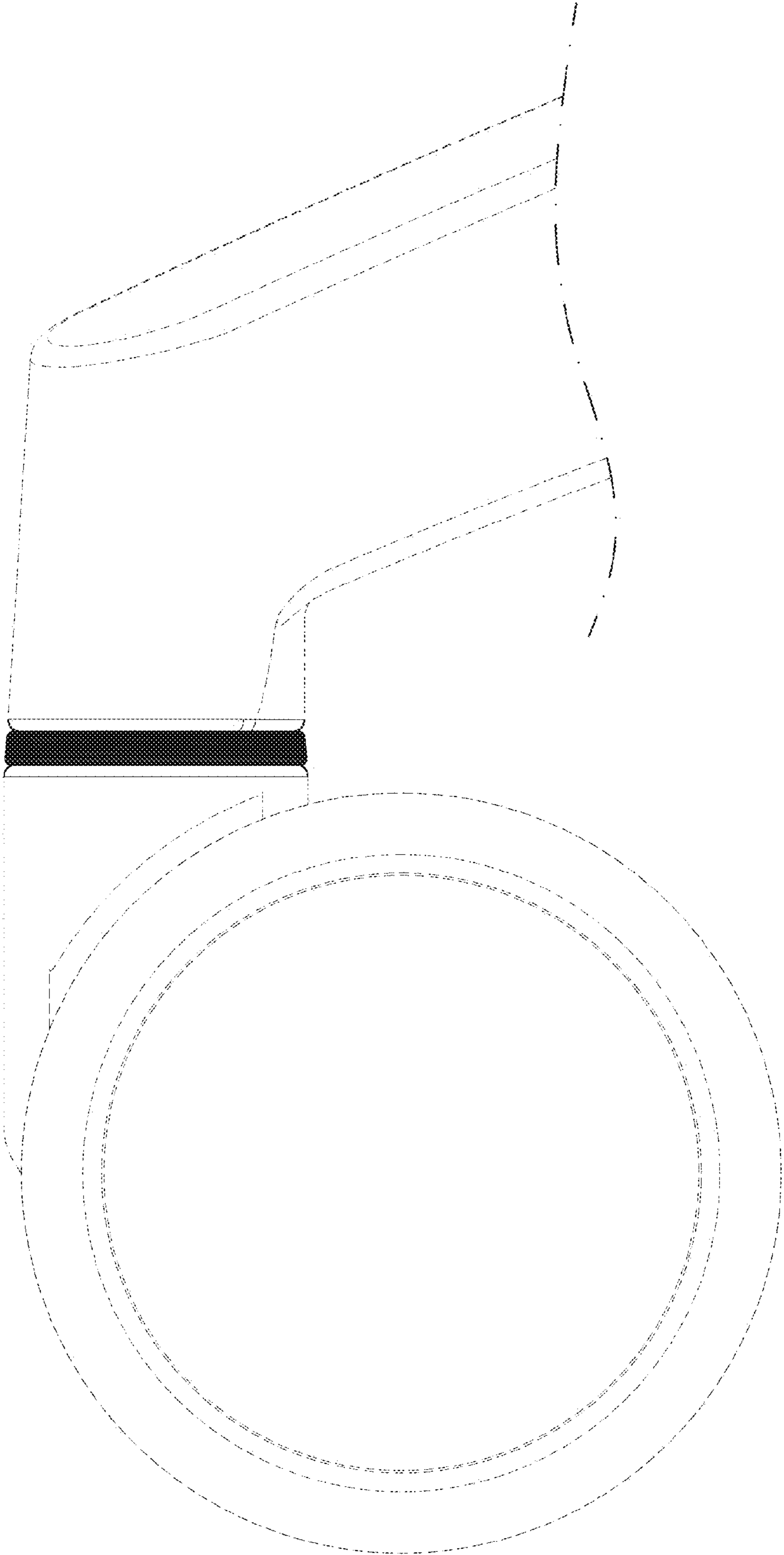


FIG. 3

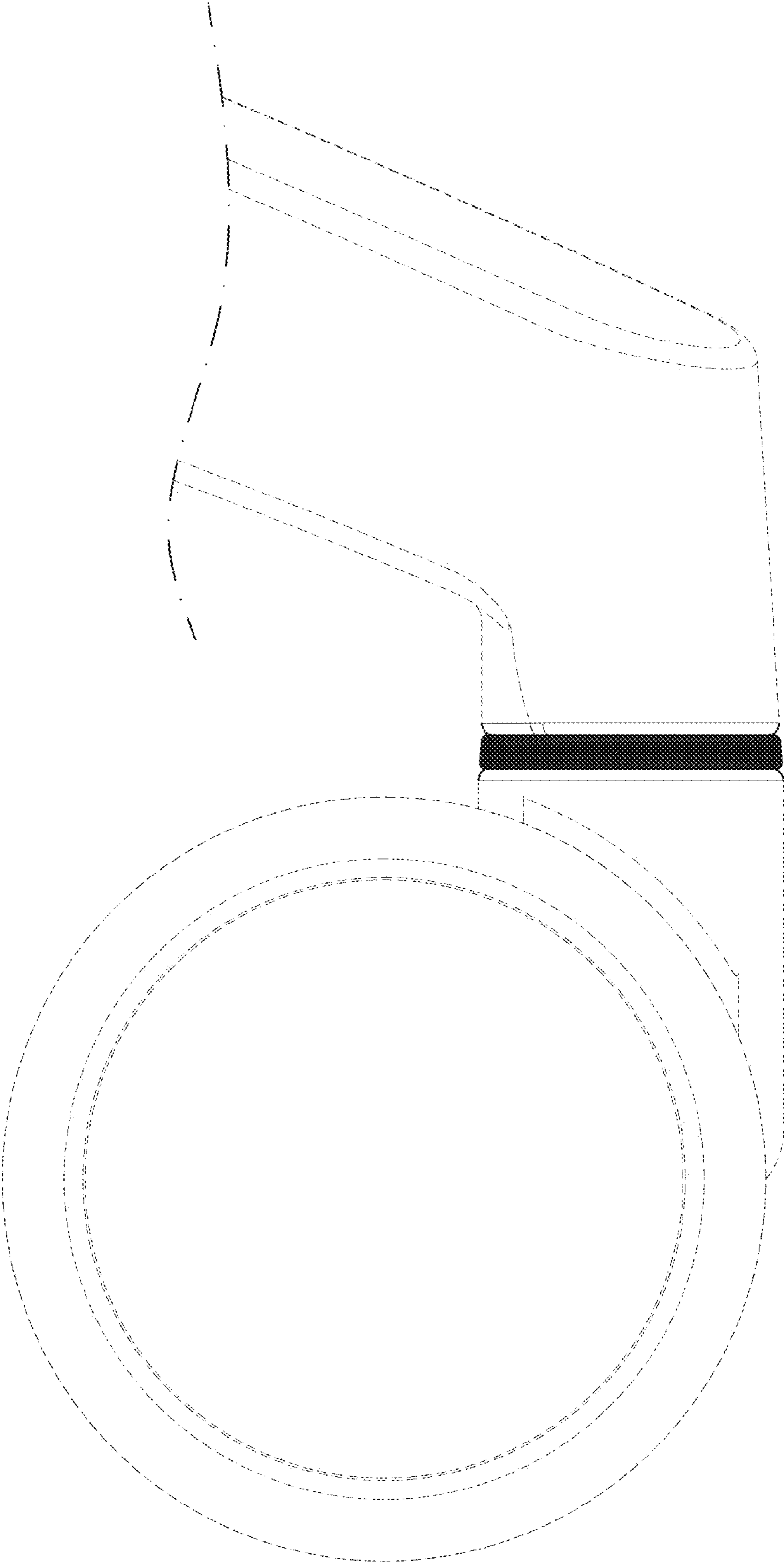


FIG. 4

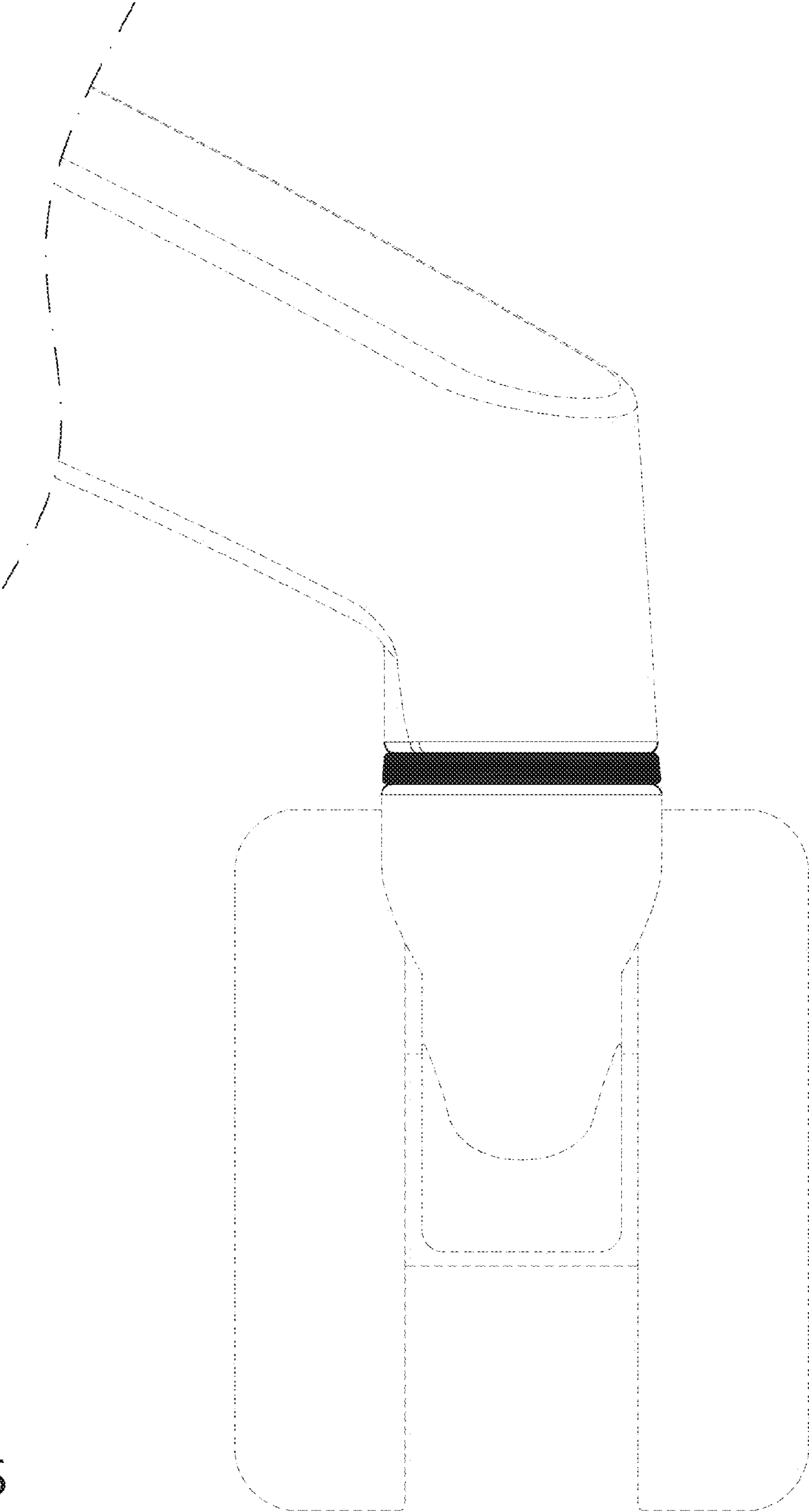


FIG. 5

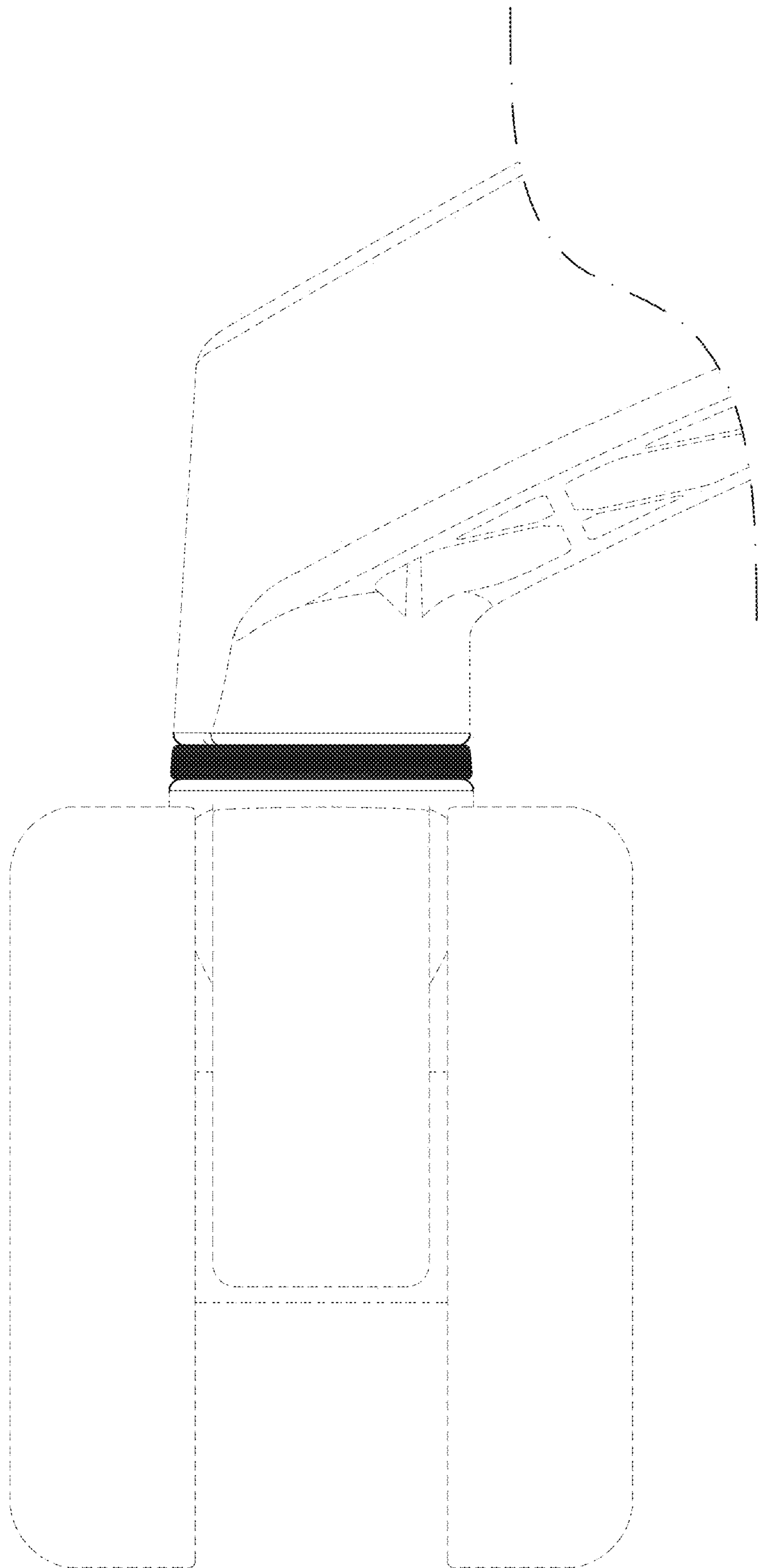


FIG. 6

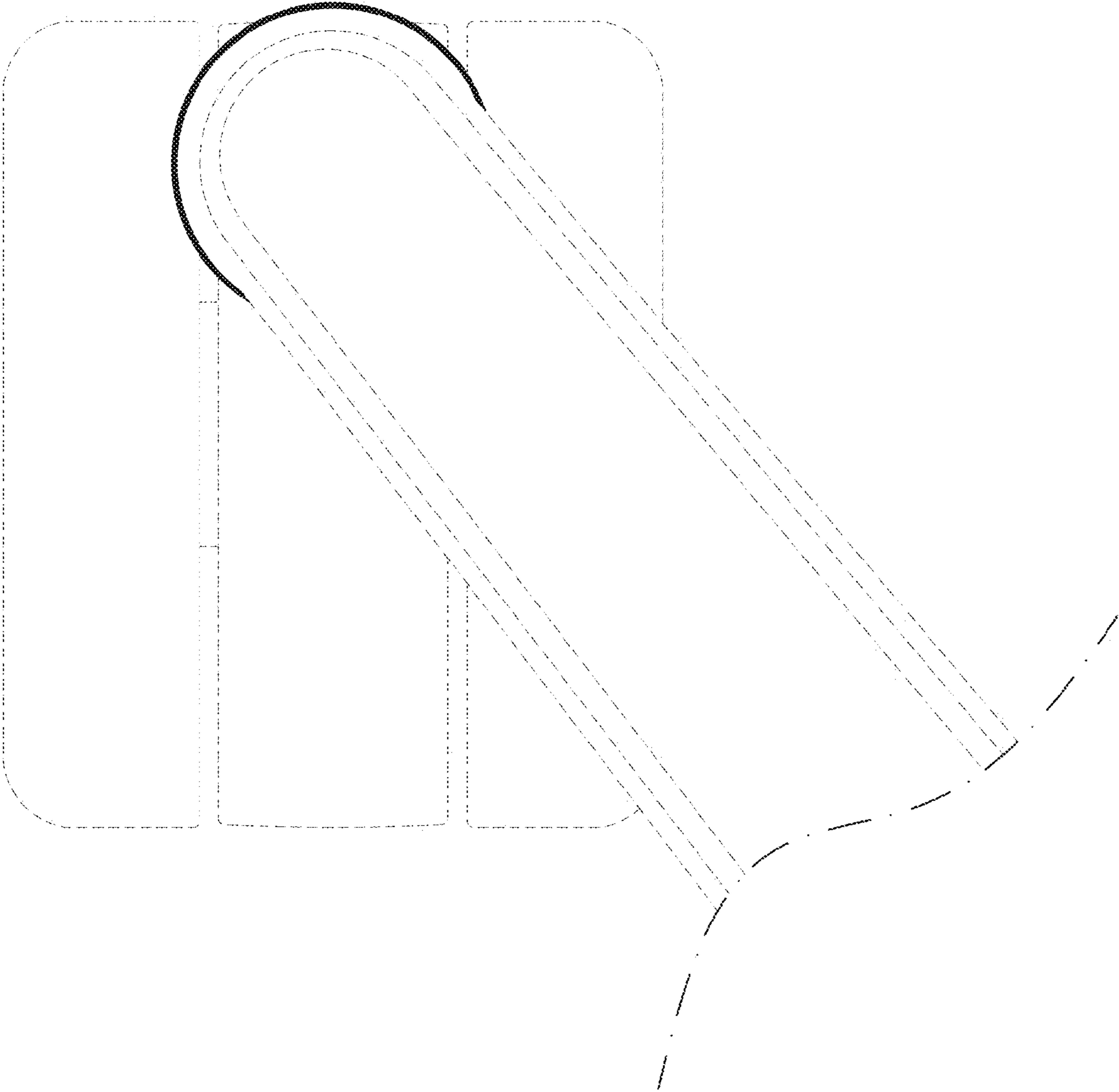


FIG. 7

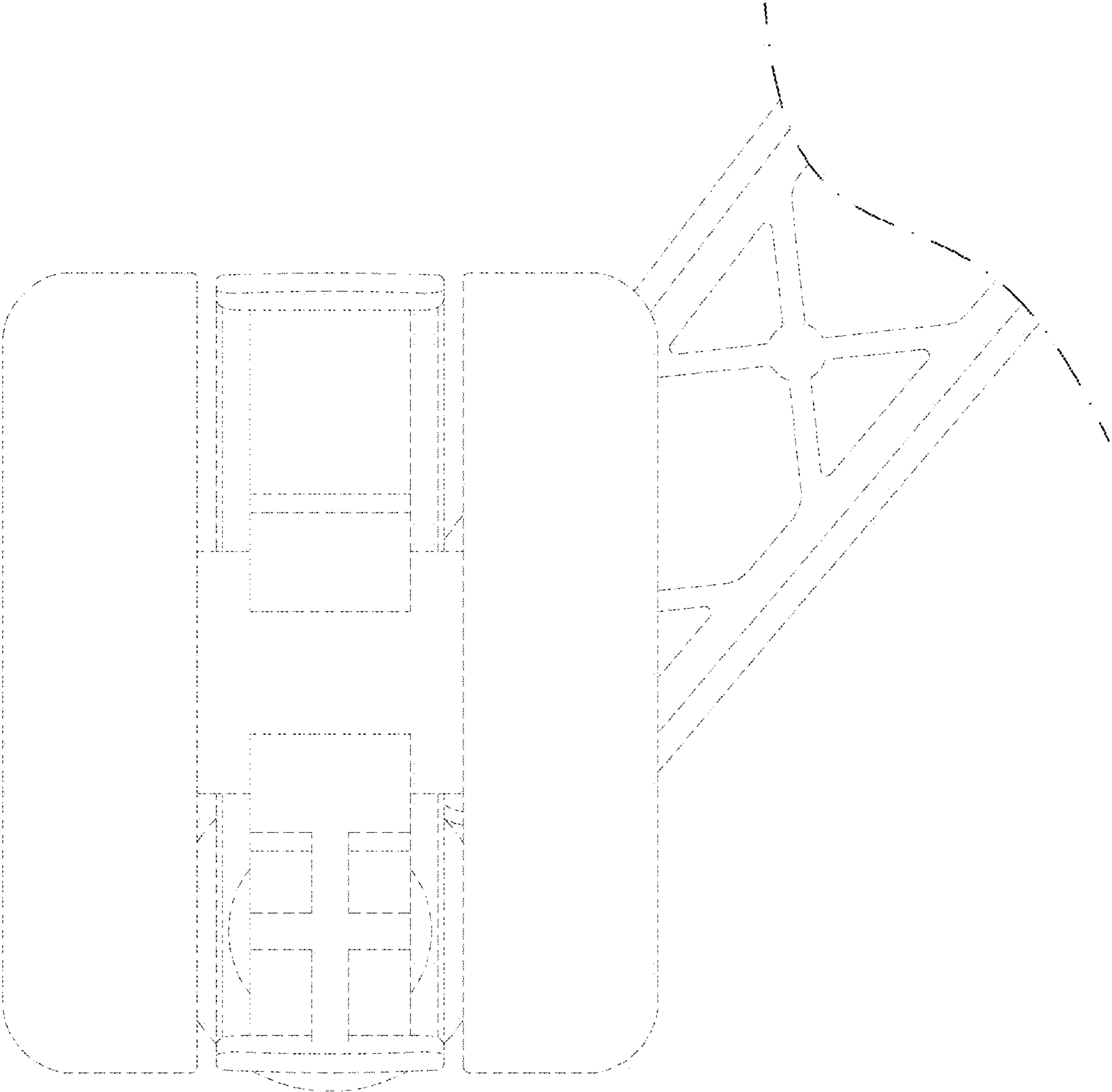


FIG. 8