



US00D913080S

(12) **United States Design Patent** (10) **Patent No.:** **US D913,080 S**
Witherbee et al. (45) **Date of Patent:** **** Mar. 16, 2021**

(54) **MOUNTING BRACKET INCLUDING A DETACHABLE LEG**

5,025,944 A 6/1991 Rodick
5,114,105 A 5/1992 Young
5,263,676 A * 11/1993 Medlin, Jr. H02G 3/126
220/3.6

(71) Applicant: **Eaton Intelligent Power Limited,**
Dublin (IE)

5,295,644 A 3/1994 Ferguson, Jr.
(Continued)

(72) Inventors: **Martin Lee Witherbee,** Godfrey, IL
(US); **Jacob Lee Johnson,** New Baden,
IL (US); **Karthik Pandurang Shenoy,**
Bengaluru (IN); **Jonathan N. Fore,** St.
Louis, MO (US)

FOREIGN PATENT DOCUMENTS

AU 2010241518 9/2011
CA 1272522 8/1990
(Continued)

(73) Assignee: **Eaton Intelligent Power Limited,**
Dublin (IE)

OTHER PUBLICATIONS

Erico H6R1 Electrical Box Mounting Bracket, posted at amazon.com, posting date Dec. 5, 2008, [online], [site visited Jul. 23, 2020]. Available from Internet, URL: <https://www.amazon.com/Erico-H6R1-Electrical-Mounting-Bracket/dp/B001N3YB5I> (Year: 2008).*
(Continued)

(**) Term: **15 Years**

Primary Examiner — George D. Kirschbaum
Assistant Examiner — Maria J. Edwards
(74) *Attorney, Agent, or Firm* — Stinson LLP

(21) Appl. No.: **29/684,264**

(22) Filed: **Mar. 19, 2019**

(51) **LOC (13) Cl.** **08-05**

(52) **U.S. Cl.**
USPC **D8/354**

(58) **Field of Classification Search**
USPC D8/354
CPC A47B 45/00; A47B 81/00; F16B 2/005;
F16M 13/02; F16M 11/04
See application file for complete search history.

(57) **CLAIM**
The ornamental design for a mounting bracket including a detachable leg, as shown and described.

DESCRIPTION

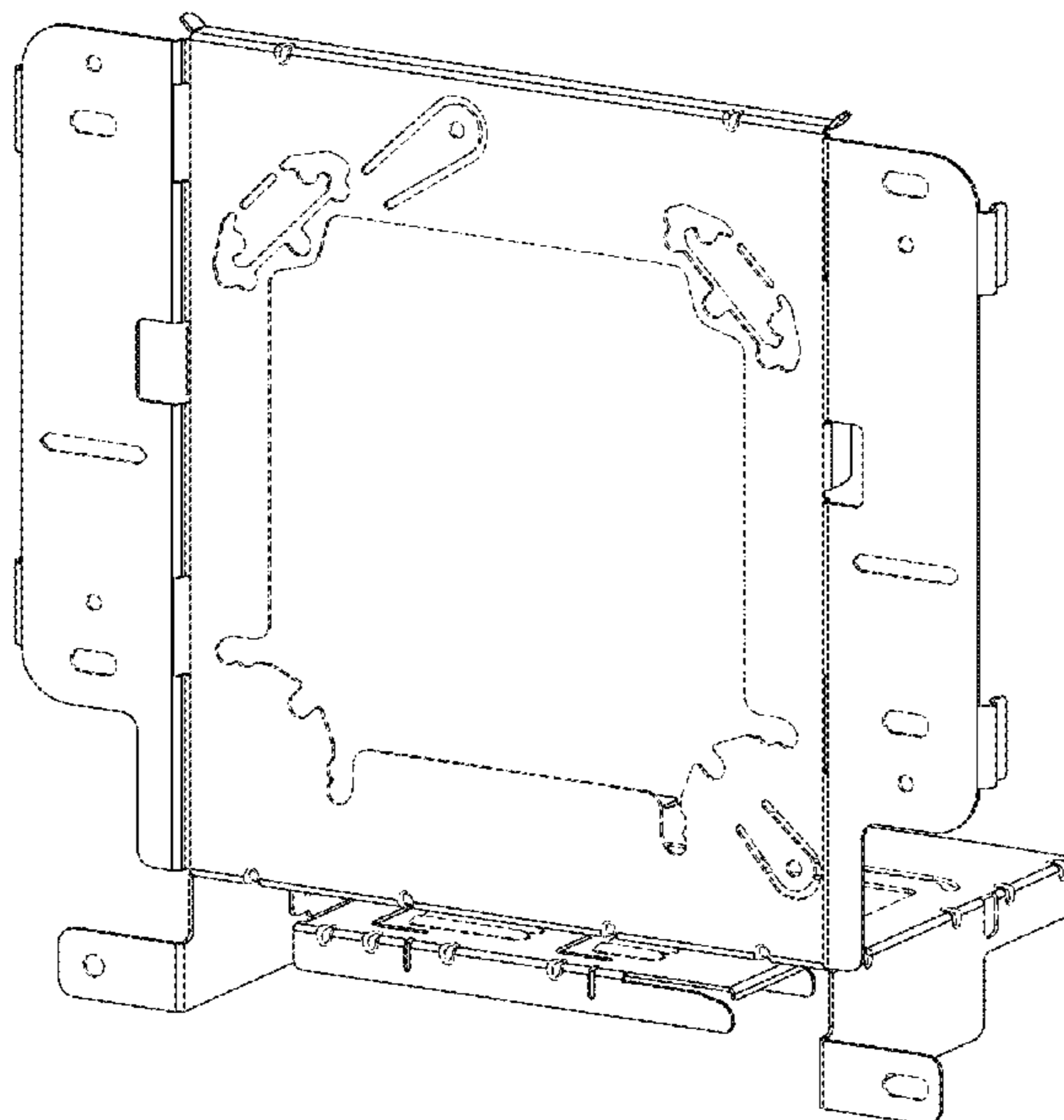
FIG. 1 is a perspective of a mounting bracket of the present disclosure;
FIG. 2 is a front view thereof;
FIG. 3 is a right side view thereof;
FIG. 4 is a top view thereof;
FIG. 5 is a rear view thereof;
FIG. 6 is a left side view thereof; and,
FIG. 7 is a bottom view thereof.
The broken lines in the drawings form no part of the claimed design.

(56) **References Cited**

U.S. PATENT DOCUMENTS

4,668,693 A 8/1987 Meldin, Jr.
4,706,359 A 11/1987 Greenhill, Sr. et al.
4,757,967 A 7/1988 Delmore et al.
4,888,879 A 12/1989 Dixon
4,890,391 A 1/1990 Warren
4,898,357 A 2/1990 Jorgensen et al.
4,943,022 A 7/1990 Rinderer
4,964,525 A 10/1990 Coffey et al.
4,978,092 A 12/1990 Nattel

1 Claim, 7 Drawing Sheets



(56)

References Cited

U.S. PATENT DOCUMENTS

5,386,959 A 2/1995 Laughlin et al.
 5,408,045 A 4/1995 Jorgensen et al.
 5,434,359 A 7/1995 Schnell
 5,452,873 A 9/1995 Laughlin
 5,603,424 A 2/1997 Bordwell et al.
 5,619,263 A 4/1997 Laughlin et al.
 5,833,110 A 11/1998 Chandler et al.
 5,841,068 A 11/1998 Umstead et al.
 5,931,425 A 8/1999 Oliva
 5,950,853 A 9/1999 Jorgensen
 6,105,918 A 8/2000 Gromotka
 6,389,658 B1 5/2002 Pfaller et al.
 6,595,479 B2 7/2003 Johnson et al.
 6,666,419 B1 12/2003 Vrame
 6,956,172 B2 10/2005 Dinh
 7,025,314 B1 4/2006 Thomas et al.
 7,036,782 B2 5/2006 Cheatham et al.
 7,073,757 B2 7/2006 Johnson et al.
 7,105,742 B1 9/2006 Jolly
 7,112,743 B2 9/2006 Hull et al.
 7,148,420 B1 12/2006 Johnson et al.
 7,179,995 B2 2/2007 Dinh
 7,214,877 B2 5/2007 de la Borbolla
 D557,117 S * 12/2007 Cannaverde D8/354
 7,360,745 B2 4/2008 Nikayin et al.
 7,373,730 B2 5/2008 Murphy
 7,388,150 B2 6/2008 Dinh et al.
 7,472,875 B2 1/2009 Rinderer
 7,501,575 B2 3/2009 Jolly
 7,544,889 B1 6/2009 Sanchez
 7,549,549 B1 6/2009 Kiely
 7,563,989 B1 7/2009 Fils
 7,628,286 B2 12/2009 Lalancette
 7,659,478 B2 2/2010 Schlachter
 7,667,137 B1 2/2010 Beckman
 7,771,094 B2 8/2010 Goode
 7,798,458 B2 9/2010 Borbolla et al.
 7,842,884 B2 11/2010 Johnson
 7,857,275 B2 12/2010 de la Borbolla
 7,923,635 B2 4/2011 Korcz et al.
 8,042,776 B2 10/2011 Johnson
 8,193,446 B1 6/2012 Taylor
 8,253,040 B2 8/2012 Hopkins
 8,328,150 B2 12/2012 Collins et al.
 8,403,289 B1 3/2013 Rinderer
 8,702,047 B2 4/2014 Nuernberger et al.
 8,975,519 B2 3/2015 Lalancette et al.
 8,998,154 B2 4/2015 Lupsa et al.
 9,010,696 B2 4/2015 Siddiqui et al.
 D732,939 S * 6/2015 Cannaverde A47H 1/14
 D8/380
 9,106,063 B2 8/2015 Amar
 9,163,782 B2 10/2015 Kerr, Jr.
 9,261,120 B2 2/2016 Colangelo et al.
 9,300,119 B2 3/2016 Korcz et al.
 9,397,491 B2 7/2016 Birli et al.
 9,531,175 B2 12/2016 Fowler, Jr.

9,562,628 B2 2/2017 Nuernberger
 9,627,867 B2 4/2017 Korcz et al.
 9,748,752 B2 8/2017 Korcz et al.
 9,780,545 B2 10/2017 Witherbee
 9,822,926 B2 11/2017 Nikayin
 9,825,446 B2 11/2017 Korcz et al.
 9,853,431 B2 12/2017 Jones
 9,929,549 B2 3/2018 Witherbee et al.
 D821,849 S * 7/2018 Nikayin D8/354
 D823,093 S * 7/2018 Kanter D8/354
 D835,972 S * 12/2018 Patil F01N 13/1872
 D8/354
 D841,432 S * 2/2019 Nikayin D8/354
 D865,487 S * 11/2019 DeDios-Shirley D8/354
 D886,201 S * 6/2020 Kanter D21/333
 2005/0176278 A1 8/2005 Cheatham et al.
 2007/0187402 A1 * 8/2007 Dinh H02G 3/126
 220/3.9
 2007/0200039 A1 8/2007 Petak
 2009/0057303 A1 3/2009 Oddsen et al.
 2010/0006723 A1 1/2010 Frank
 2010/0176138 A1 7/2010 Zacharevitz et al.
 2010/0282933 A1 11/2010 Phillips
 2010/0288554 A1 11/2010 Jafari
 2011/0001026 A1 1/2011 Kubsad et al.
 2012/0018603 A1 1/2012 Kerr
 2013/0312997 A1 11/2013 Korte et al.
 2015/0318677 A1 * 11/2015 Witherbee H02G 3/121
 248/218.4
 2015/0333493 A1 11/2015 Jones
 2016/0099555 A1 * 4/2016 Nikayin H02G 3/126
 248/74.2
 2016/0273706 A1 9/2016 Lupsa et al.
 2016/0360629 A1 12/2016 Witherbee
 2017/0012421 A1 1/2017 Terwilleger
 2017/0077689 A1 3/2017 Korcz et al.
 2017/0187174 A1 6/2017 Witherbee et al.
 2017/0229852 A1 8/2017 Jones et al.
 2017/0256928 A1 9/2017 Korcz et al.
 2017/0294768 A1 10/2017 Thomas et al.
 2018/0062365 A1 3/2018 Kellerman
 2019/0376643 A1 * 12/2019 Witherbee H02G 3/14

FOREIGN PATENT DOCUMENTS

CA 1280199 2/1991
 CA 2211583 7/2003
 CA 2828367 3/2014
 EP 2159892 3/2010
 FR 2744847 8/1997
 GB 2548701 A 9/2017

OTHER PUBLICATIONS

T4 Stud Box Mounting Bracket, posted at amazon.com, posting date Sep. 17, 2019, [online], [site visited Jul. 23, 2020]. Available from Internet, URL: <https://www.amazon.com/Pack-Mounting-Bracket-Boxes-Studs/dp/B07XZK33NJ> (Year: 2020).*

* cited by examiner

FIG. 1

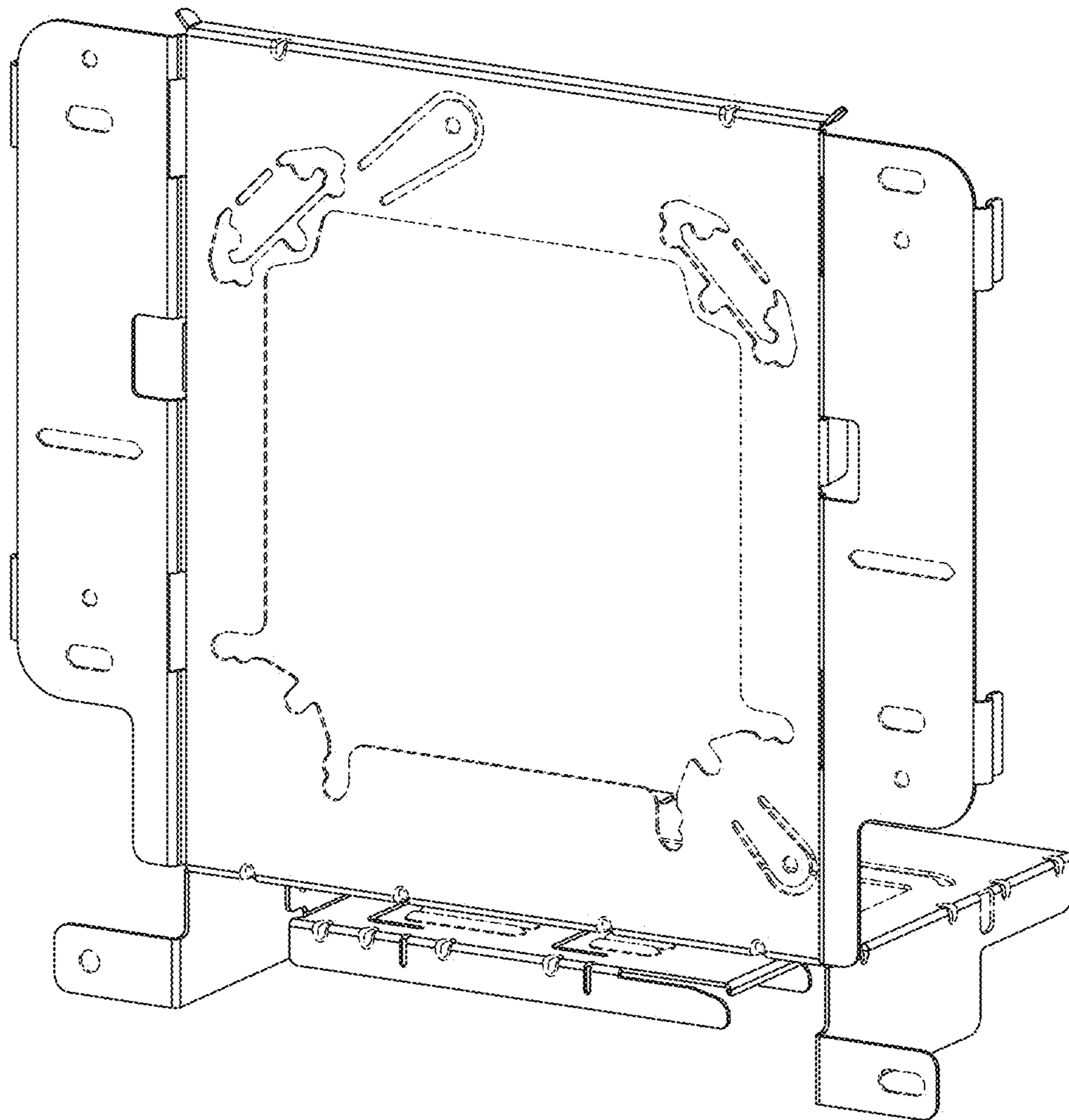


FIG. 2

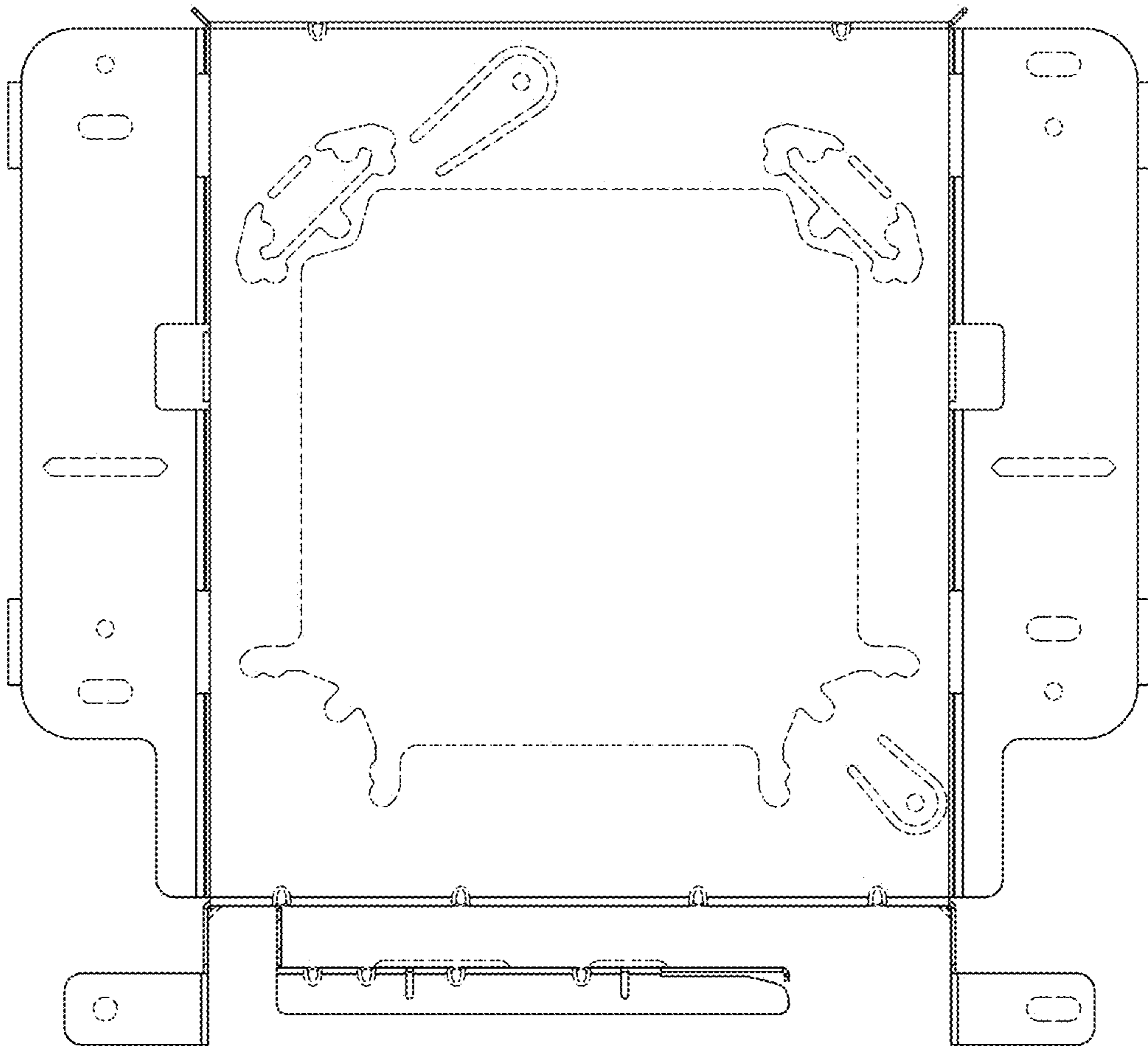


FIG. 3

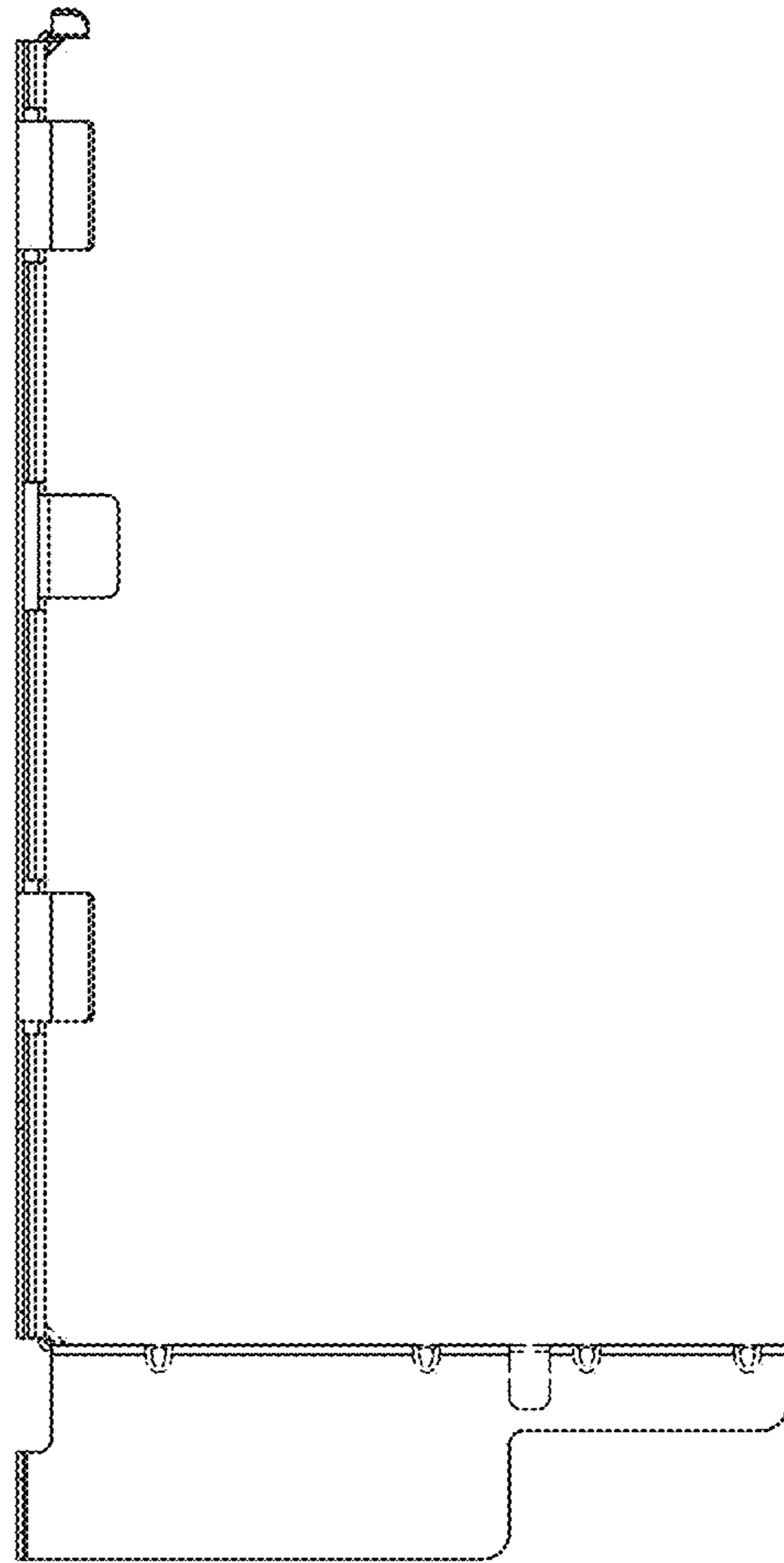


FIG. 4

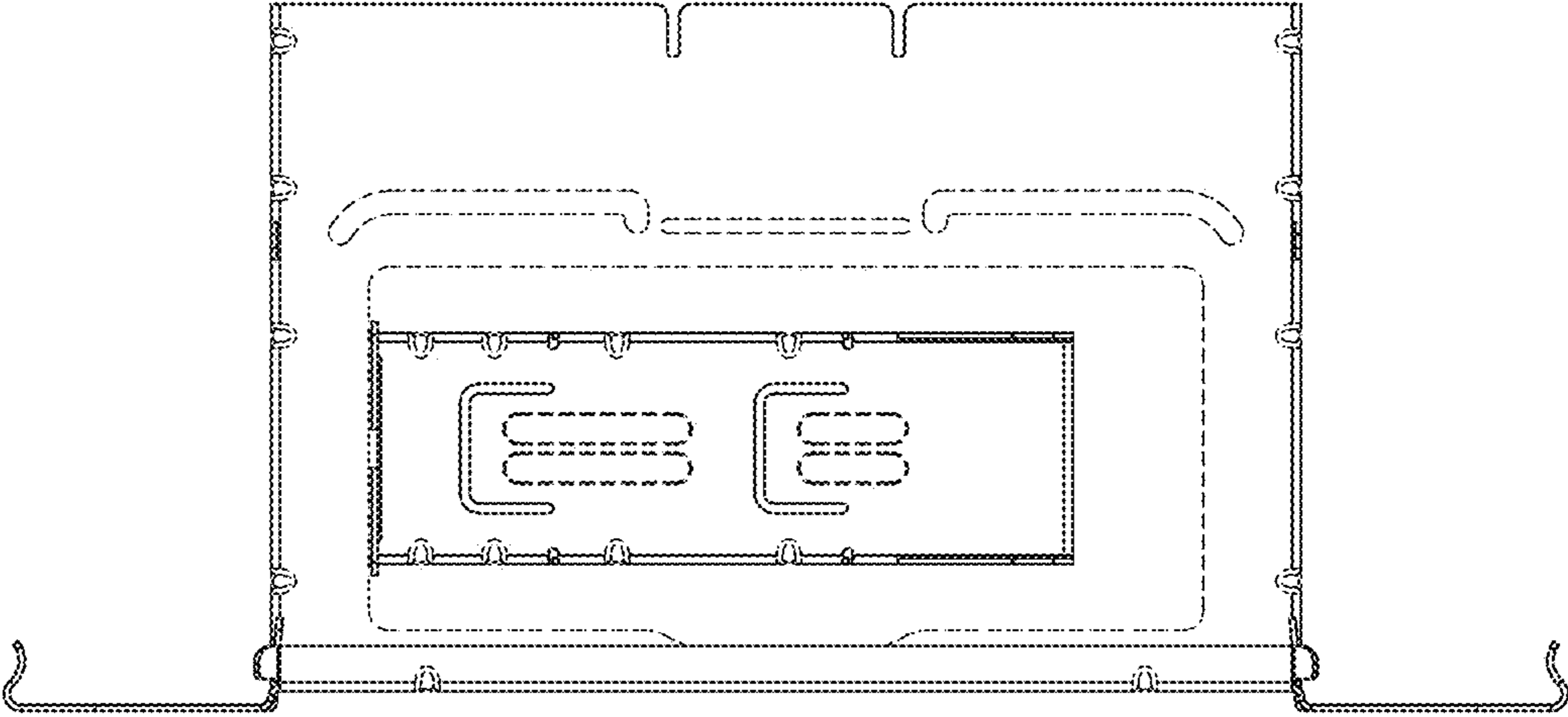


FIG. 5

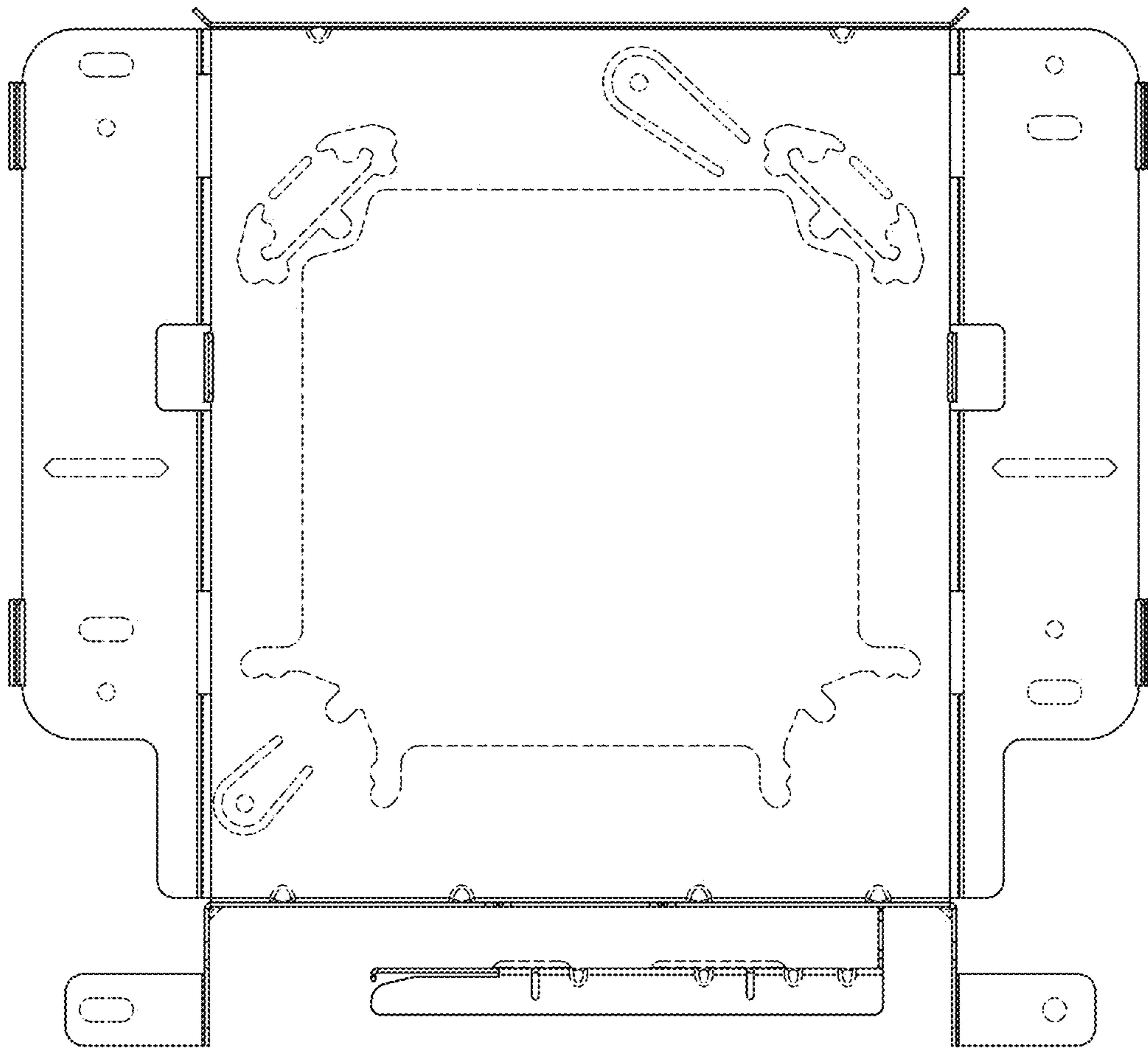


FIG. 6

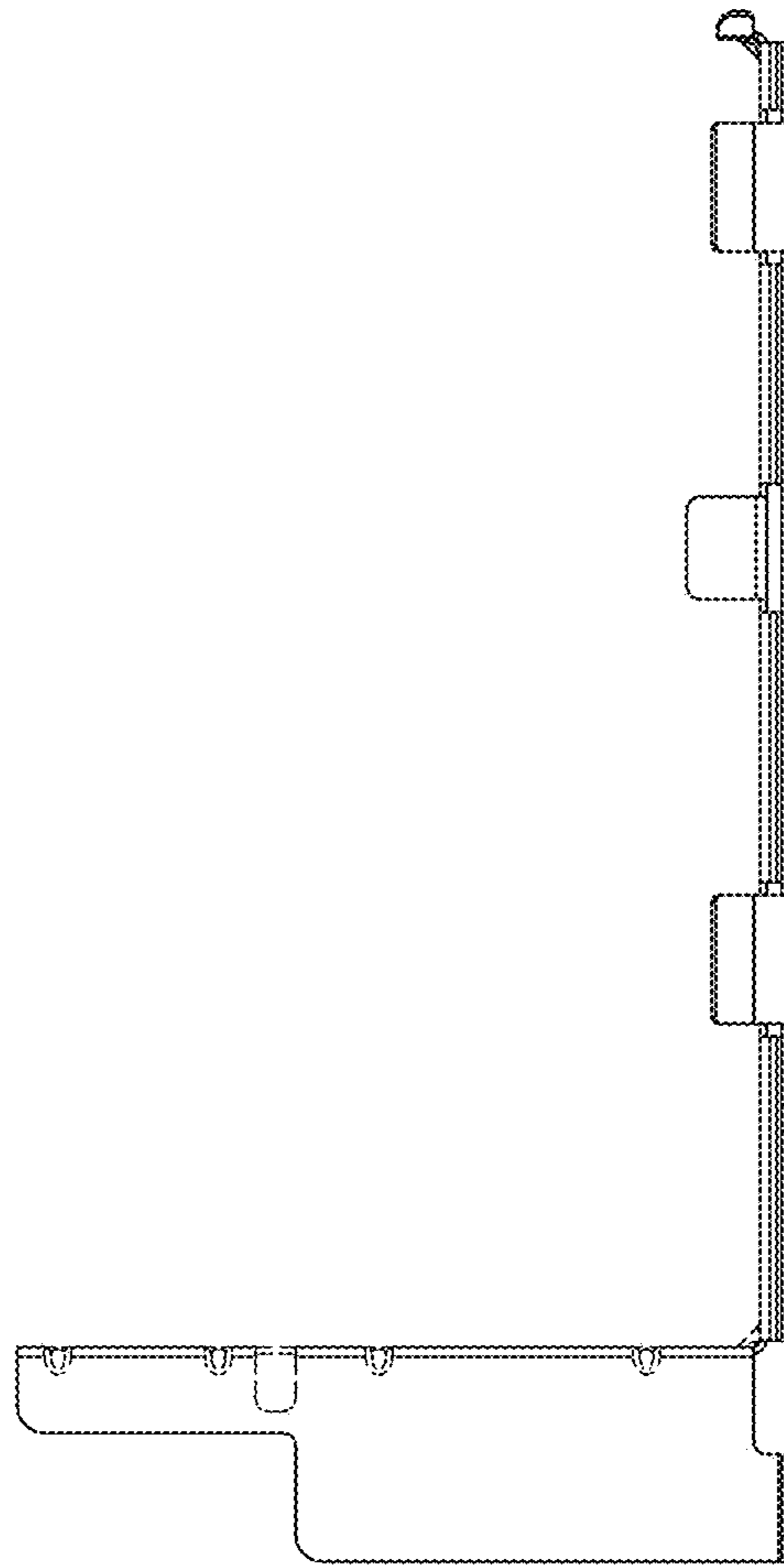


FIG. 7

