



US00D913078S

(12) **United States Design Patent** (10) **Patent No.:** **US D913,078 S**
Pavlov (45) **Date of Patent:** **** Mar. 16, 2021**

(54) **STEERING WHEEL PLATE BRACKET WITH APERTURES FOR A GAMING CHAIR ASSEMBLY**

D895,733 S * 9/2020 Kanter D21/333
D901,469 S * 11/2020 Fehr D14/238
2012/0025046 A1* 2/2012 Yen F16M 11/045
248/298.1

(71) Applicant: **Home Racer LLC**, Boynton Beach, FL (US)

* cited by examiner

(72) Inventor: **Dimitar Maldenov Pavlov**, Boynton Beach, FL (US)

Primary Examiner — Mark A Goodwin

Assistant Examiner — Benjamin M Weeks

(73) Assignee: **HOME RACER LLC**, Boynton Beach, FL (US)

(74) *Attorney, Agent, or Firm* — Mark C. Johnson; Johnson Dalal

(**) Term: **15 Years**

(57) **CLAIM**

(21) Appl. No.: **29/708,068**

The ornamental design for a steering wheel plate bracket with apertures for a gaming chair assembly, as shown and described.

(22) Filed: **Oct. 2, 2019**

(51) **LOC (13) Cl.** **08-08**

(52) **U.S. Cl.**
USPC **D8/349**

DESCRIPTION

(58) **Field of Classification Search**
USPC D8/349, 350–353, 354, 355, 363, D8/373–377

CPC .. A47F 5/00; A47H 1/10; A47G 29/00; A47G 29/08; A47B 97/00; A47K 3/14

See application file for complete search history.

(56) **References Cited**

U.S. PATENT DOCUMENTS

D536,240	S	*	2/2007	Vejmarker	D8/354
D560,221	S	*	1/2008	Hoglan	D14/451
D560,222	S	*	1/2008	Anderson	D14/451
D560,677	S	*	1/2008	Wohlford	D14/451
D652,411	S	*	1/2012	Crawford	D14/238
RE44,515	E	*	10/2013	Ciungan	D8/363
D787,917	S	*	5/2017	Kennelly	D8/354
D794,420	S	*	8/2017	Emmons	D8/349
D823,093	S	*	7/2018	Kanter	D8/354
D823,094	S	*	7/2018	Kanter	D8/354
D832,970	S	*	11/2018	Jen	D22/108
D846,369	S	*	4/2019	Ni	D8/354
D869,936	S	*	12/2019	Smith	D8/349

FIG. 1 is a perspective view of a steering wheel plate bracket with apertures for a gaming chair assembly in accordance with the present invention;

FIG. 2 is an elevational left-side view of the steering wheel plate bracket with apertures for a gaming chair assembly in FIG. 1;

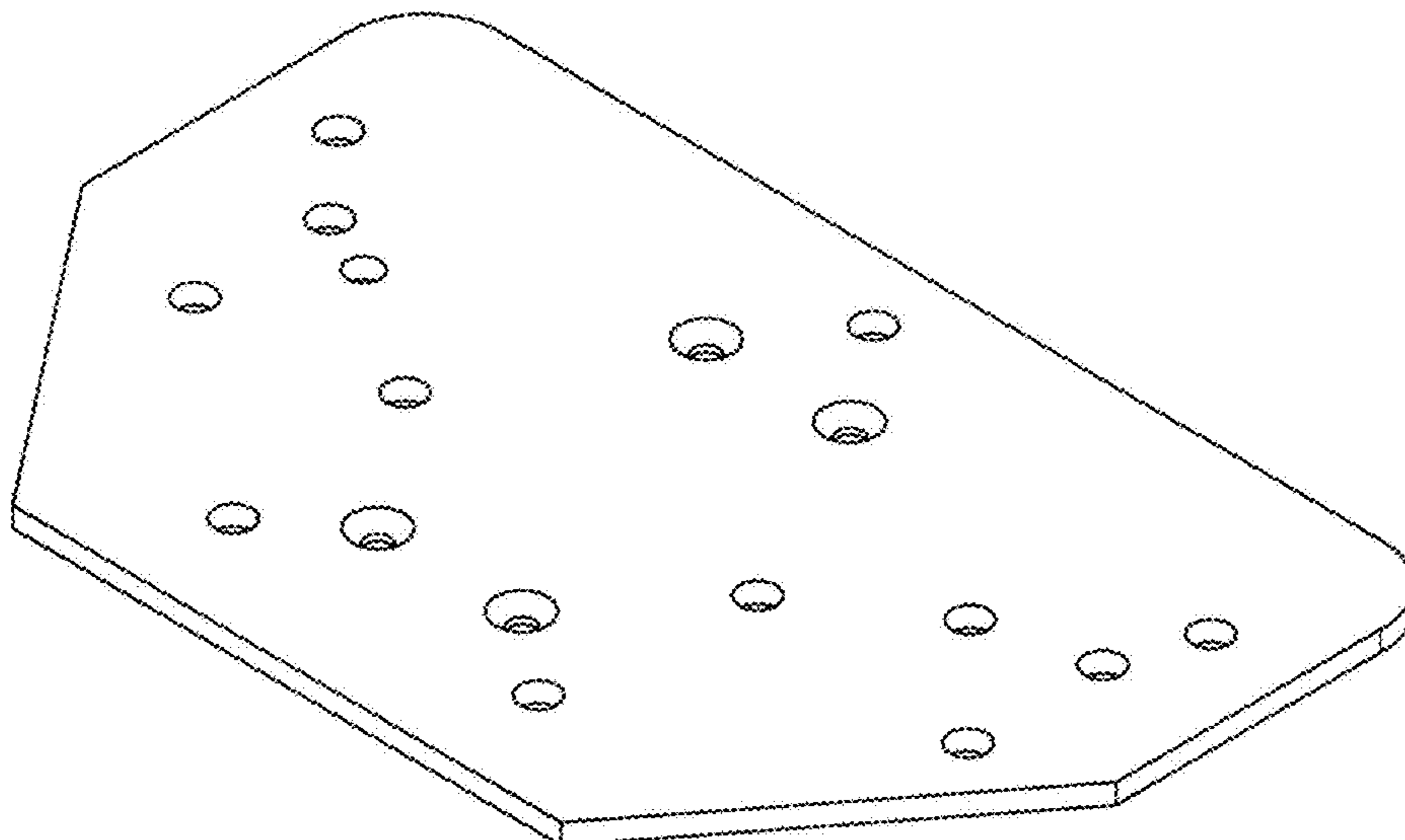
FIG. 3 is an elevational right-side view of the steering wheel plate bracket with apertures for a gaming chair assembly in FIG. 1;

FIG. 4 is an elevational front view of the steering wheel plate bracket with apertures for a gaming chair assembly in FIG. 1;

FIG. 5 is an elevational rear view of the steering wheel plate bracket with apertures for a gaming chair assembly in FIG. 1;

FIG. 6 is a top plan view of the steering wheel plate bracket with apertures for a gaming chair assembly in FIG. 1; and, FIG. 7 is a bottom plan view of the steering wheel plate bracket with apertures for a gaming chair assembly in FIG. 1.

1 Claim, 5 Drawing Sheets



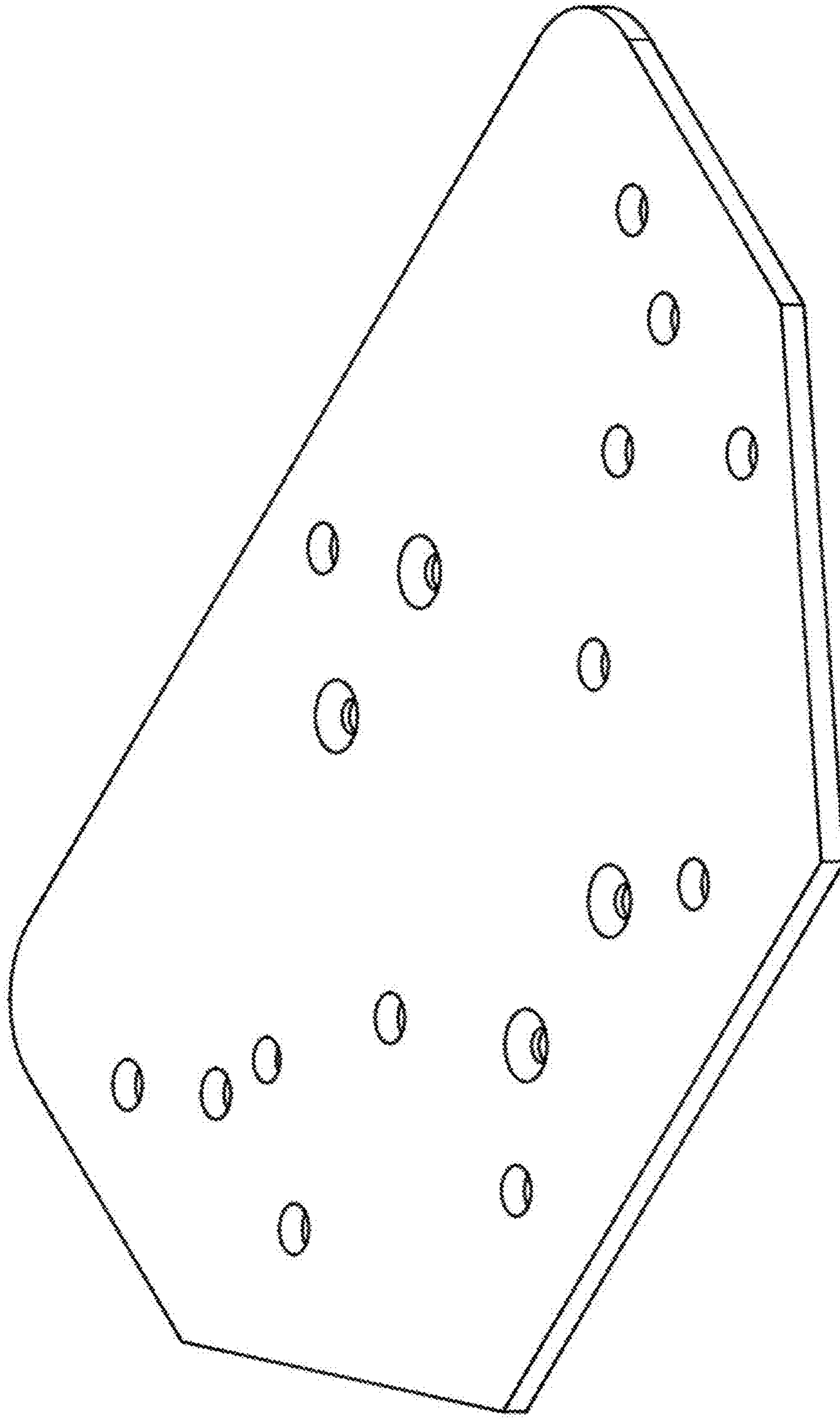


FIG. 1



FIG. 2



FIG. 3



FIG. 4



FIG. 5

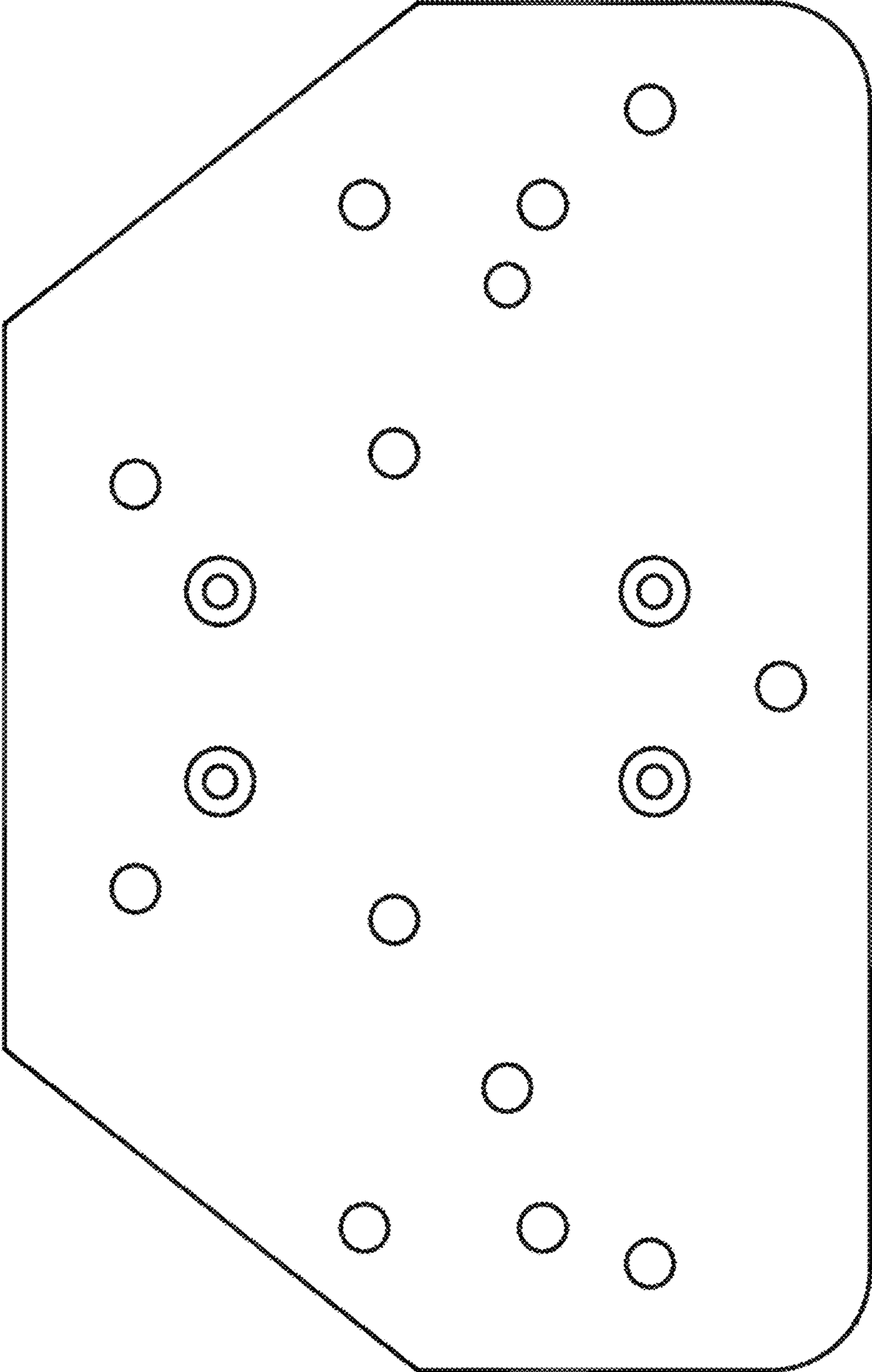


FIG. 6

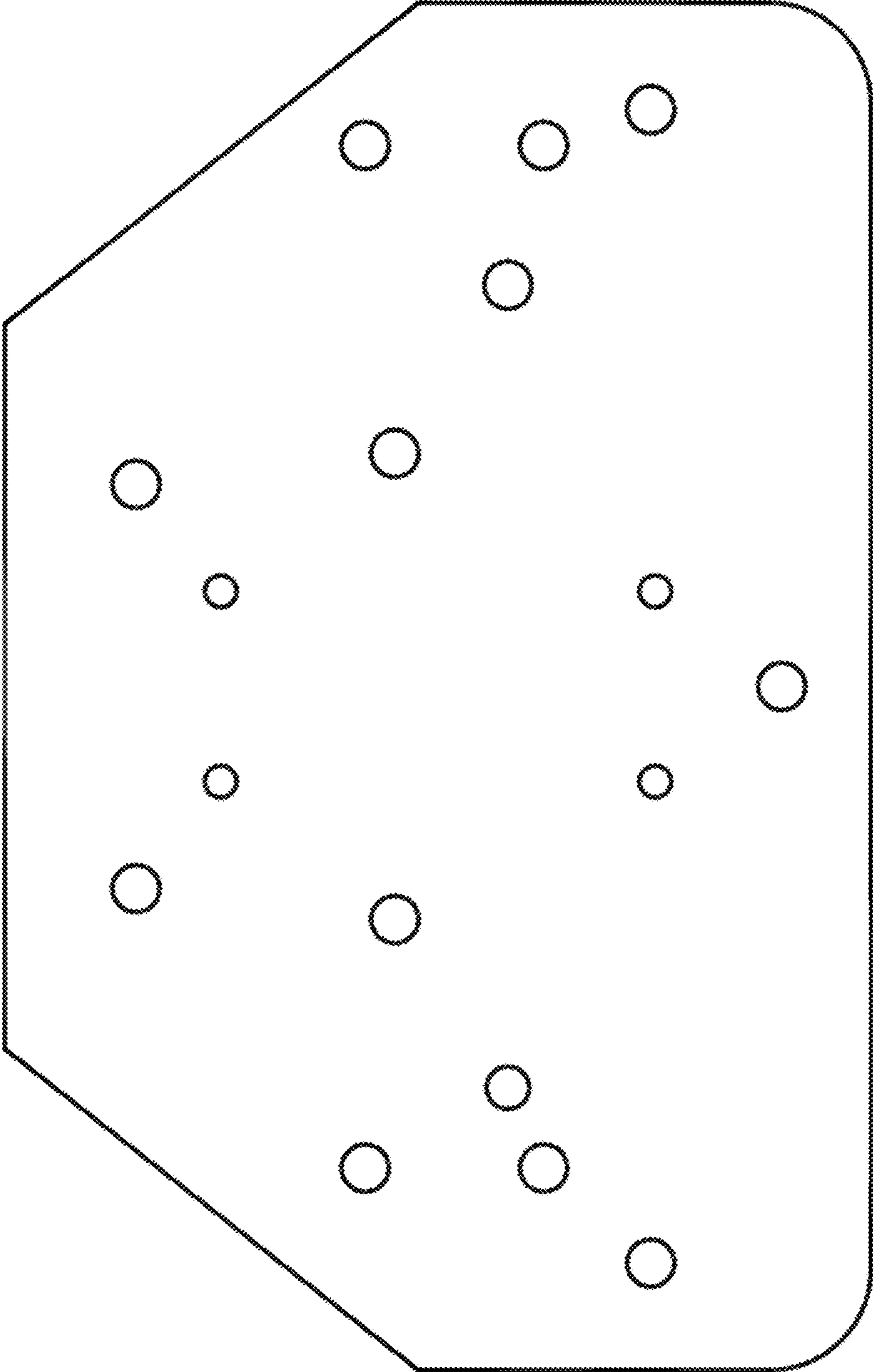


FIG. 7