



US00D913074S

(12) **United States Design Patent**
Mugerdichian

(10) **Patent No.:** **US D913,074 S**

(45) **Date of Patent:** **** Mar. 16, 2021**

- (54) **KNIFE BLADE HAND GRIP**
- (71) Applicant: **Ralph Mugerdichian**, Bokeelia, FL (US)
- (72) Inventor: **Ralph Mugerdichian**, Bokeelia, FL (US)
- (**) Term: **15 Years**
- (21) Appl. No.: **29/702,804**
- (22) Filed: **Aug. 22, 2019**
- (51) **LOC (13) Cl.** **08-03**
- (52) **U.S. Cl.**
USPC **D8/107**
- (58) **Field of Classification Search**
USPC D8/14, 98, 99, 107, 300; D22/118;
D7/401.2; D25/119
CPC B26B 29/02; B26B 29/00; B25G 3/08
See application file for complete search history.

- D610,399 S * 2/2010 Hamlin D7/387
- 8,082,669 B2 * 12/2011 Hayes B26B 29/02
30/312
- D789,560 S * 6/2017 Singh D25/119
- D791,353 S * 7/2017 Singh D25/119
- D812,435 S * 3/2018 Singer D7/649
- 2013/0047532 A1 * 2/2013 Armacost E04F 21/0069
52/288.1
- 2020/0246992 A1 * 8/2020 Ritter B26B 29/02

* cited by examiner

Primary Examiner — Philip S Hyder

(74) *Attorney, Agent, or Firm* — Sanchelima & Associates, P.A.; Christian Sanchelima; Jesus Sanchelima

(57) **CLAIM**

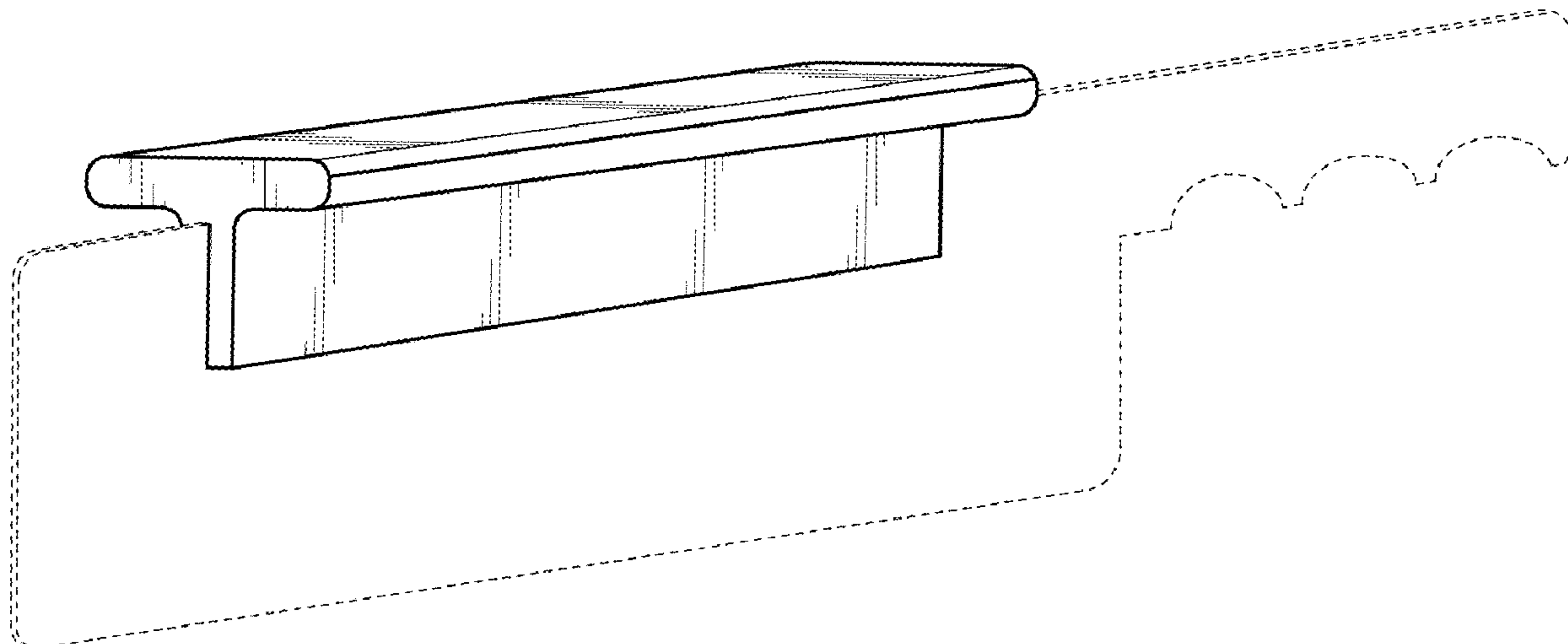
The ornamental design for a knife blade hand grip, as shown and described.

DESCRIPTION

FIG. 1 is an isometric view of a knife blade hand grip showing my new design;
FIG. 2 is a front elevational view thereof;
FIG. 3 is a rear elevational view thereof;
FIG. 4 is a top planar view thereof;
FIG. 5 is a bottom planar view thereof;
FIG. 6 is a right side elevational view thereof; and,
FIG. 7 is a left elevational view thereof showing my design. The broken line showings of the knife blade are provided for purposes of environment and form no part of the claimed design.

1 Claim, 4 Drawing Sheets

- (56) **References Cited**
U.S. PATENT DOCUMENTS
- D131,224 S * 1/1942 Parisi D7/401.2
- D255,974 S * 7/1980 Jacoby 30/295
- 4,959,905 A * 10/1990 Ghislain B26B 3/00
30/151
- D333,774 S * 3/1993 Bisch D8/107
- D391,115 S * 2/1998 Robertson 30/285
- 6,032,426 A * 3/2000 Tamlyn E04F 19/02
52/287.1
- D445,643 S * 7/2001 Kazaklaris D7/401.2
- 6,381,855 B1 * 5/2002 Lin B26B 29/02
30/286
- 6,493,946 B1 * 12/2002 Carrillo B26B 29/02
30/295



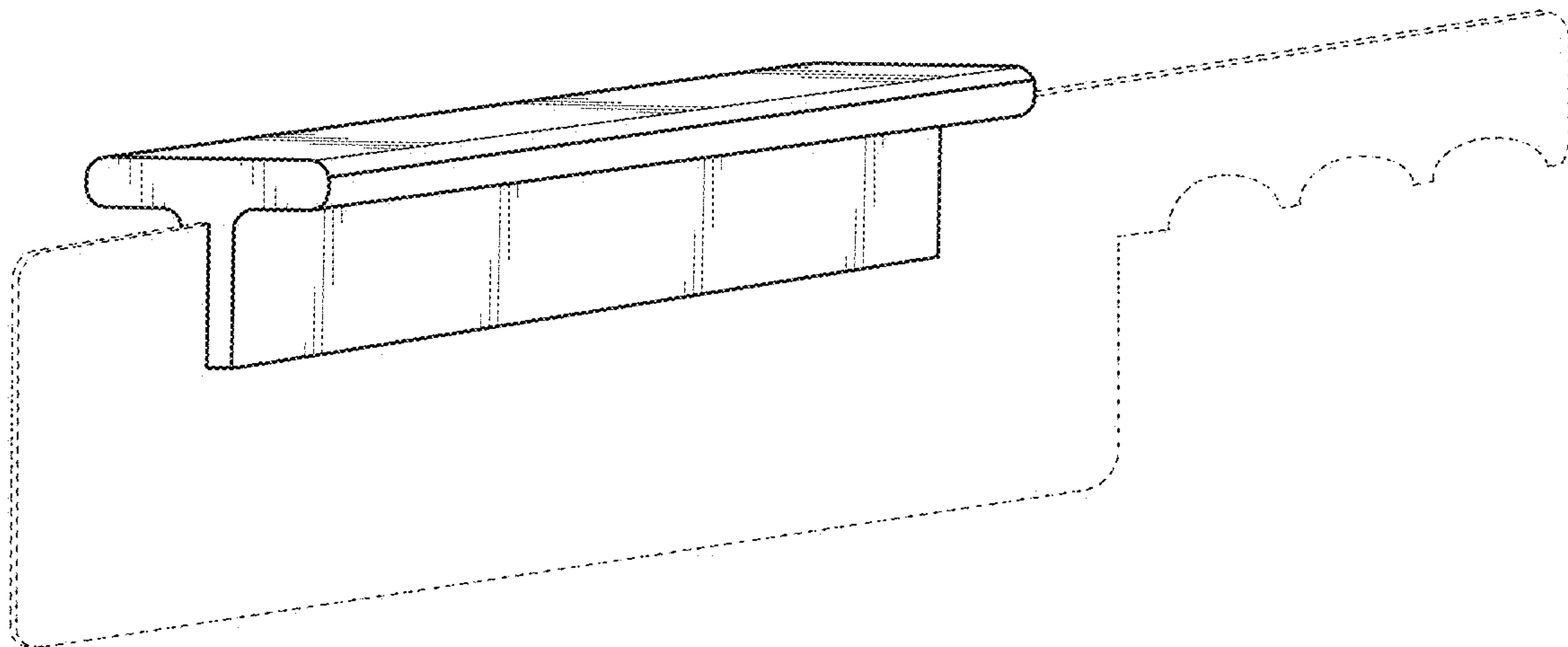


FIG. 1

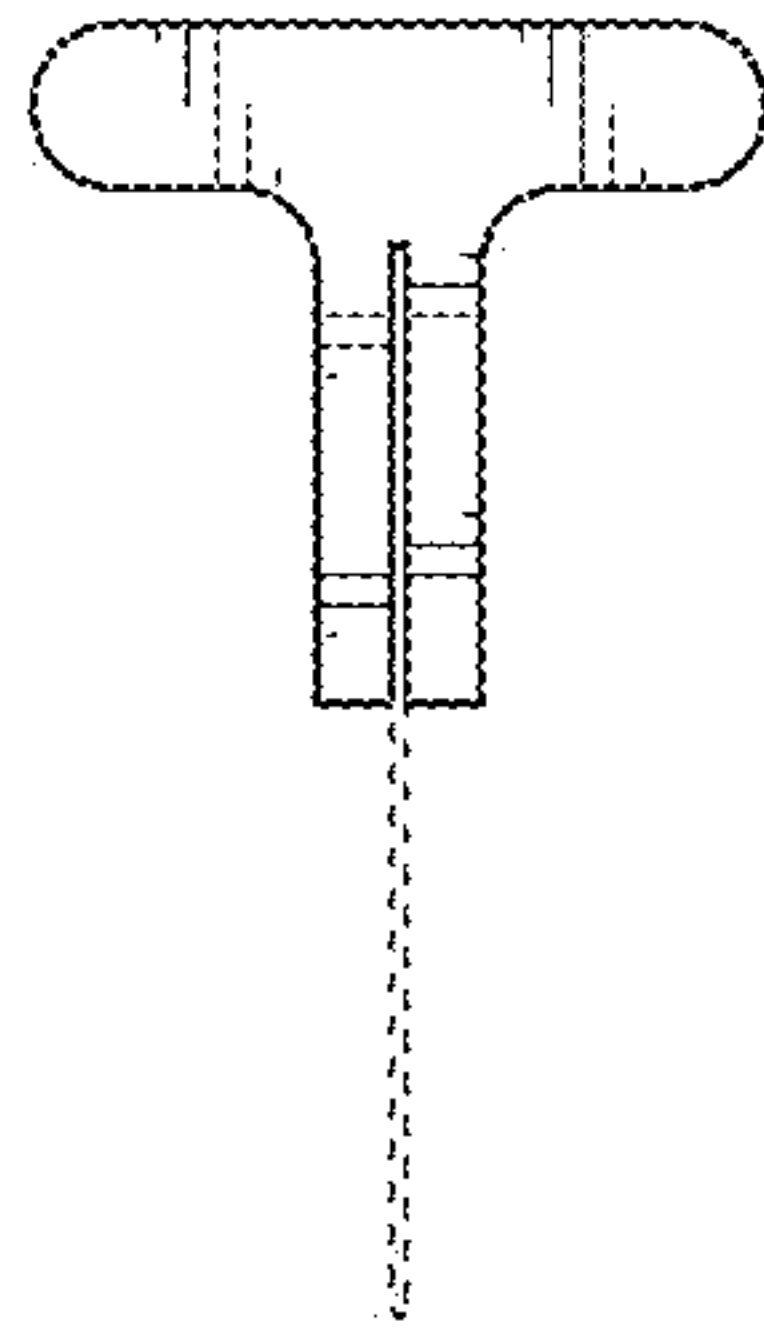


FIG. 2

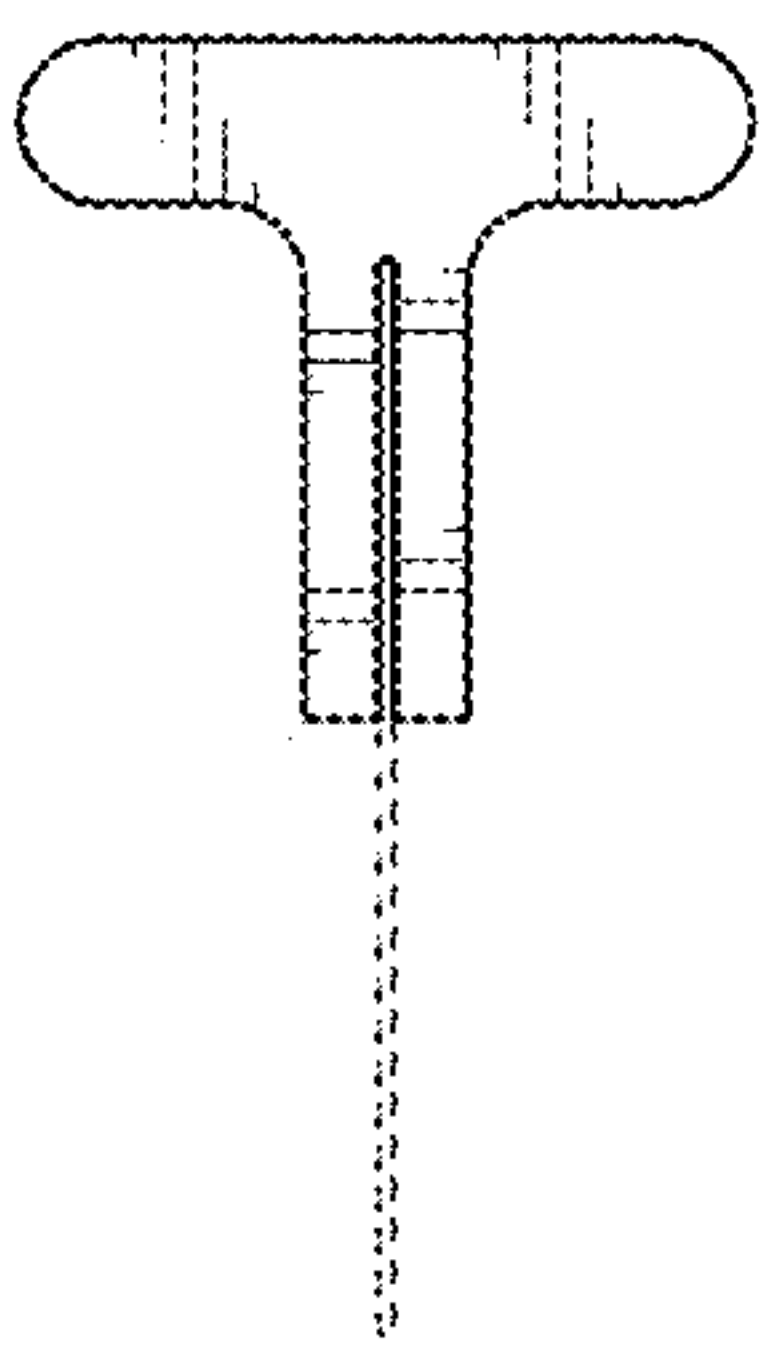


FIG. 3

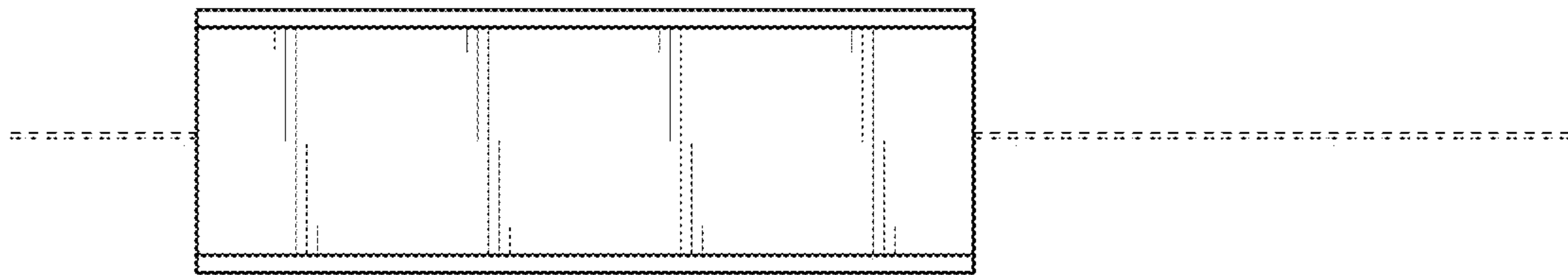


FIG. 4

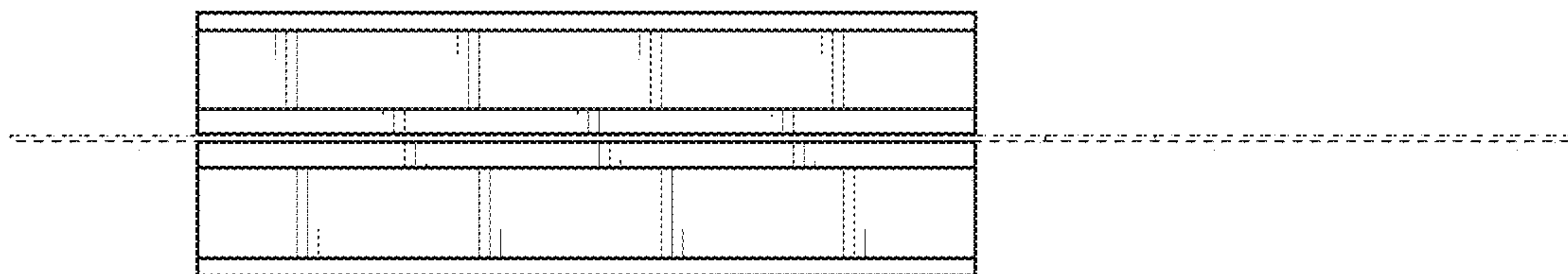


FIG. 5

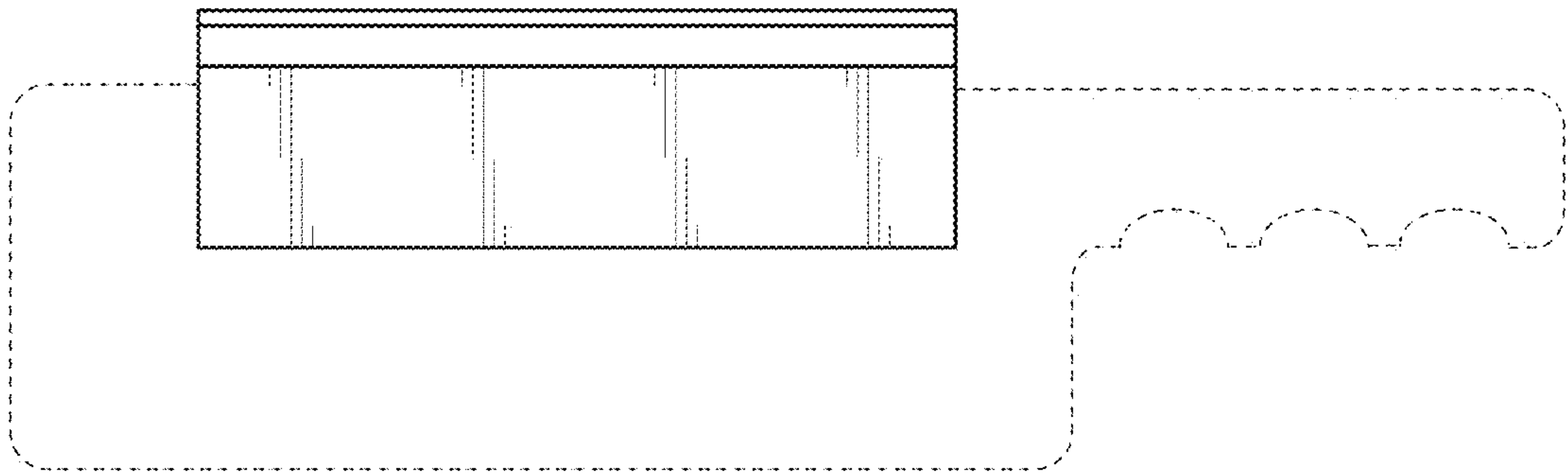


FIG. 6

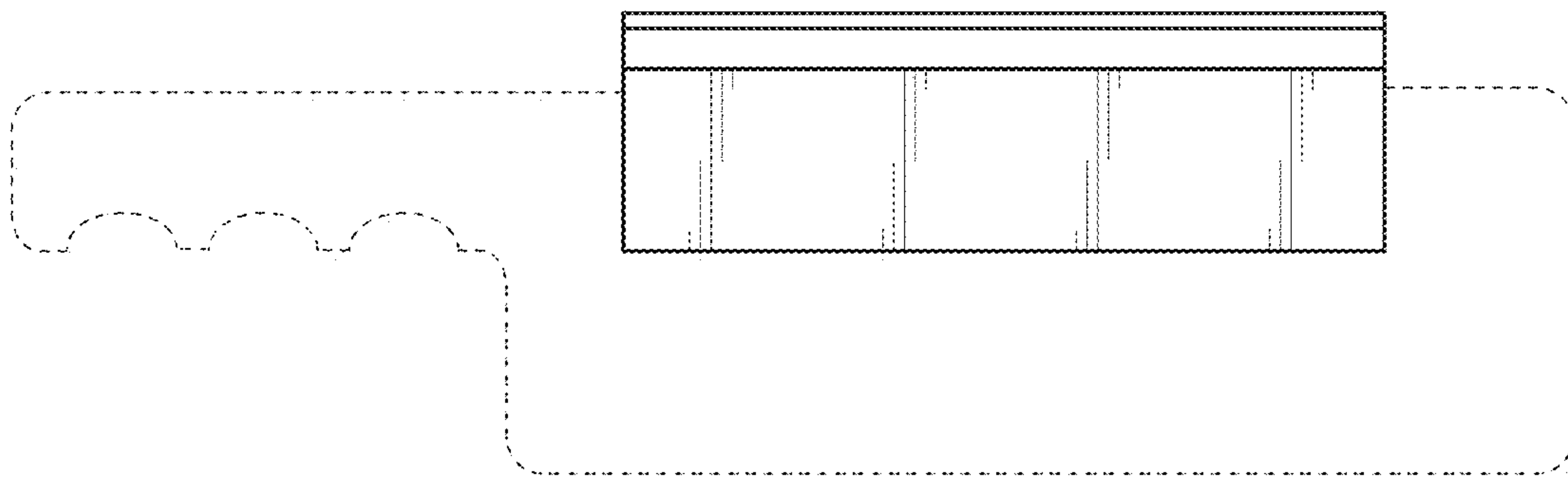


FIG. 7