



US00D913071S

(12) **United States Design Patent**  
**Stasko**

(10) **Patent No.:** **US D913,071 S**  
(45) **Date of Patent:** **\*\* Mar. 16, 2021**

- (54) **SANDING BLOCK**
- (71) Applicant: **Slavomir Stasko**, Pittsford, NY (US)
- (72) Inventor: **Slavomir Stasko**, Pittsford, NY (US)
- (\*\*) Term: **15 Years**
- (21) Appl. No.: **29/705,249**
- (22) Filed: **Sep. 10, 2019**
- (51) **LOC (13) Cl.** ..... **08-05**
- (52) **U.S. Cl.**  
USPC ..... **D8/90**
- (58) **Field of Classification Search**  
USPC ..... D8/90, 14; D32/40; D21/491, 500;  
D25/126, 136, 119, 164; D6/601  
CPC ..... B24D 15/03; B24D 15/04  
See application file for complete search history.

- D674,565 S \* 1/2013 Koenig ..... D32/40
- 8,388,419 B2 3/2013 Koenig
- 8,505,150 B2 \* 8/2013 Armaly, Jr. .... B32B 5/32  
15/244.3
- D755,407 S \* 5/2016 Hill ..... D25/118
- D755,991 S \* 5/2016 Hill ..... D25/118
- 9,511,480 B1 \* 12/2016 Ingram, Sr. .... B24D 15/04
- D891,207 S \* 7/2020 Antonovich ..... D8/14
- 2004/0092219 A1 5/2004 Koenig
- 2007/0298698 A1 \* 12/2007 Ali ..... B24D 15/04  
451/523
- 2009/0264058 A1 10/2009 Brogden

\* cited by examiner

*Primary Examiner* — Philip S Hyder  
(74) *Attorney, Agent, or Firm* — Tracy Jong Law Firm;  
Tracy P. Jong; Cheng Ning Jong

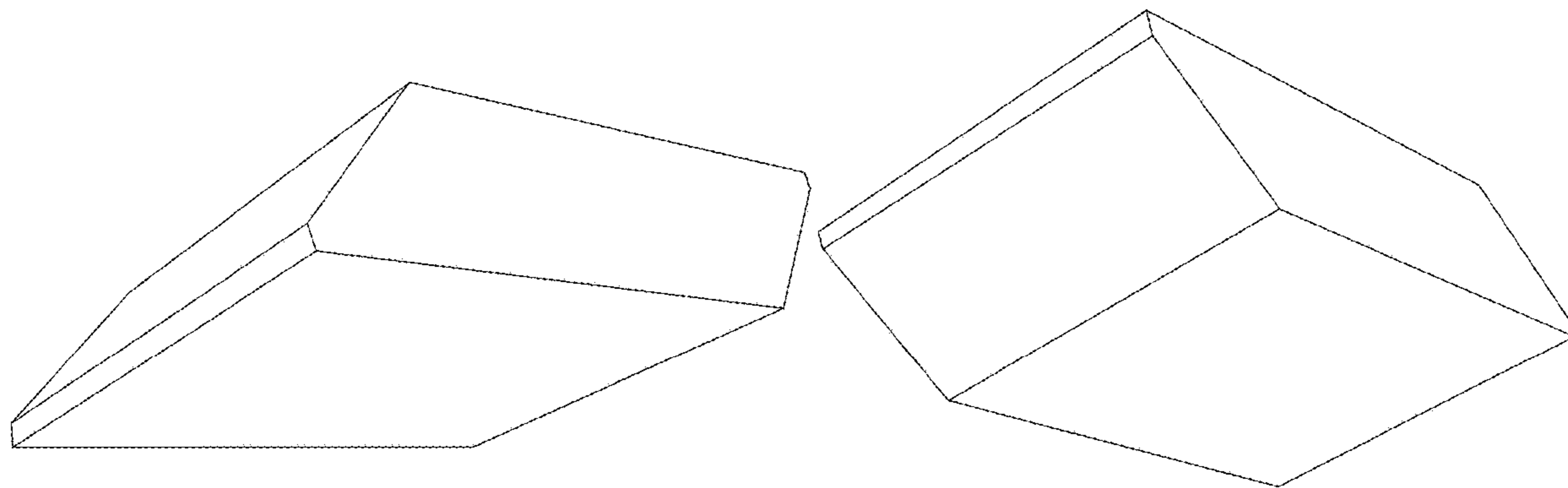
(57) **CLAIM**

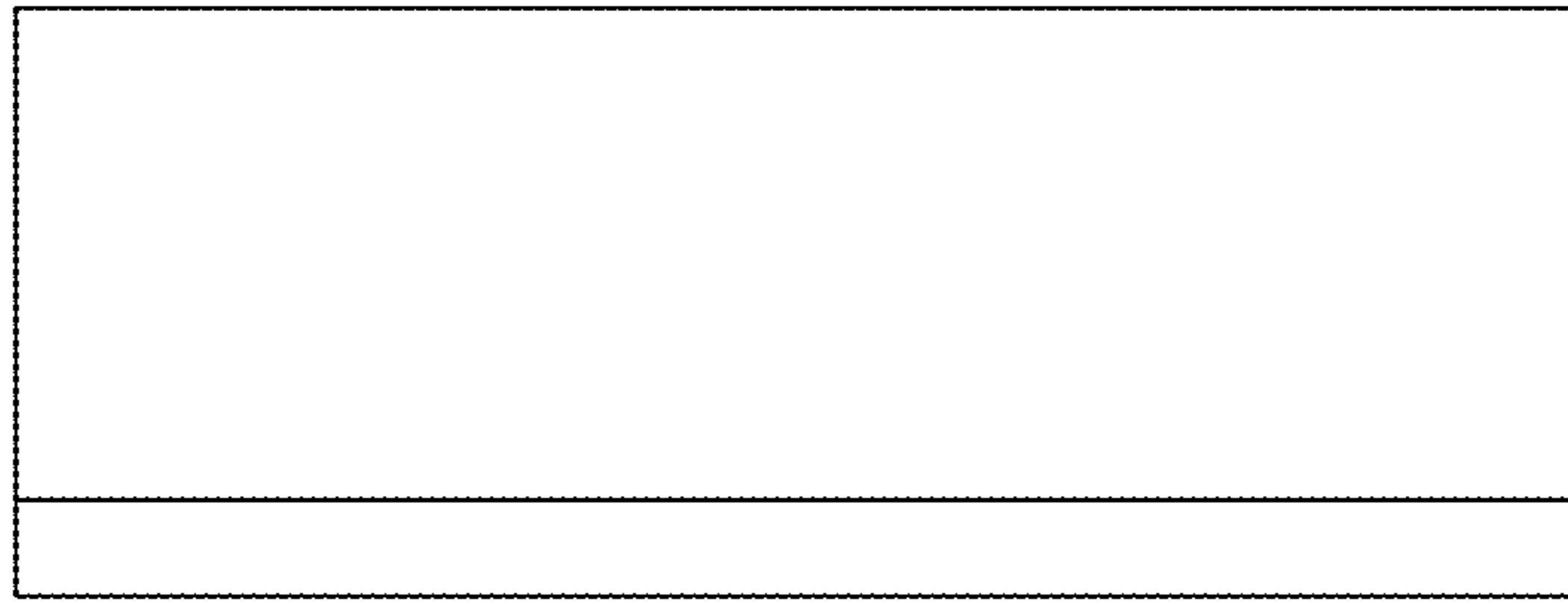
The ornamental design for a sanding block, as shown and described.

**DESCRIPTION**

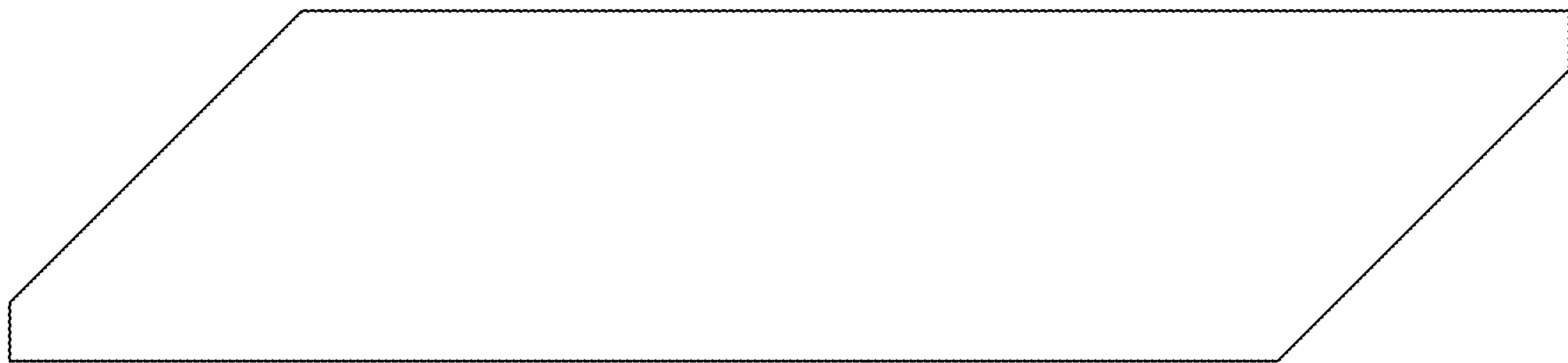
FIG. 1 is a front view of a sanding block showing the new design;  
FIG. 2 is a left side view thereof;  
FIG. 3 is a rear view thereof;  
FIG. 4 is a right side view thereof;  
FIG. 5 is a top view thereof;  
FIG. 6 is a bottom view thereof;  
FIG. 7 is a bottom left front perspective view thereof; and,  
FIG. 8 is a bottom right rear perspective view thereof.

**1 Claim, 3 Drawing Sheets**

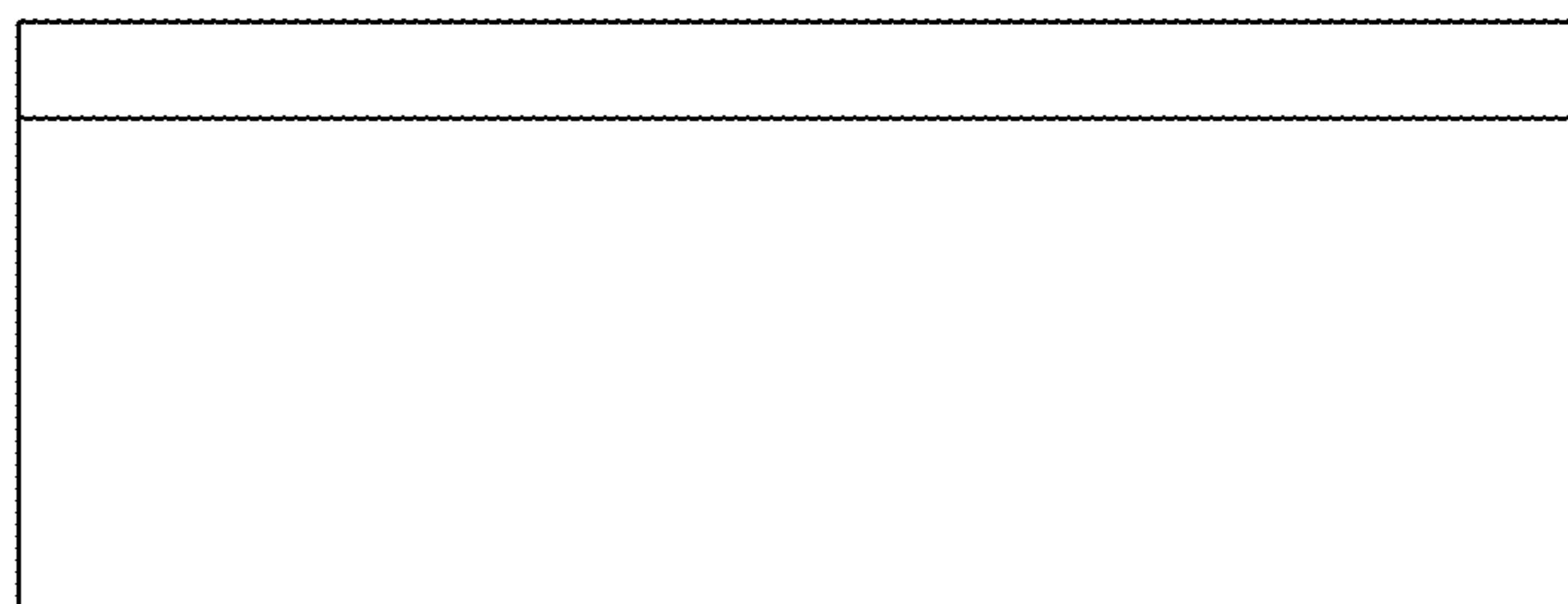




*FIG. 1*



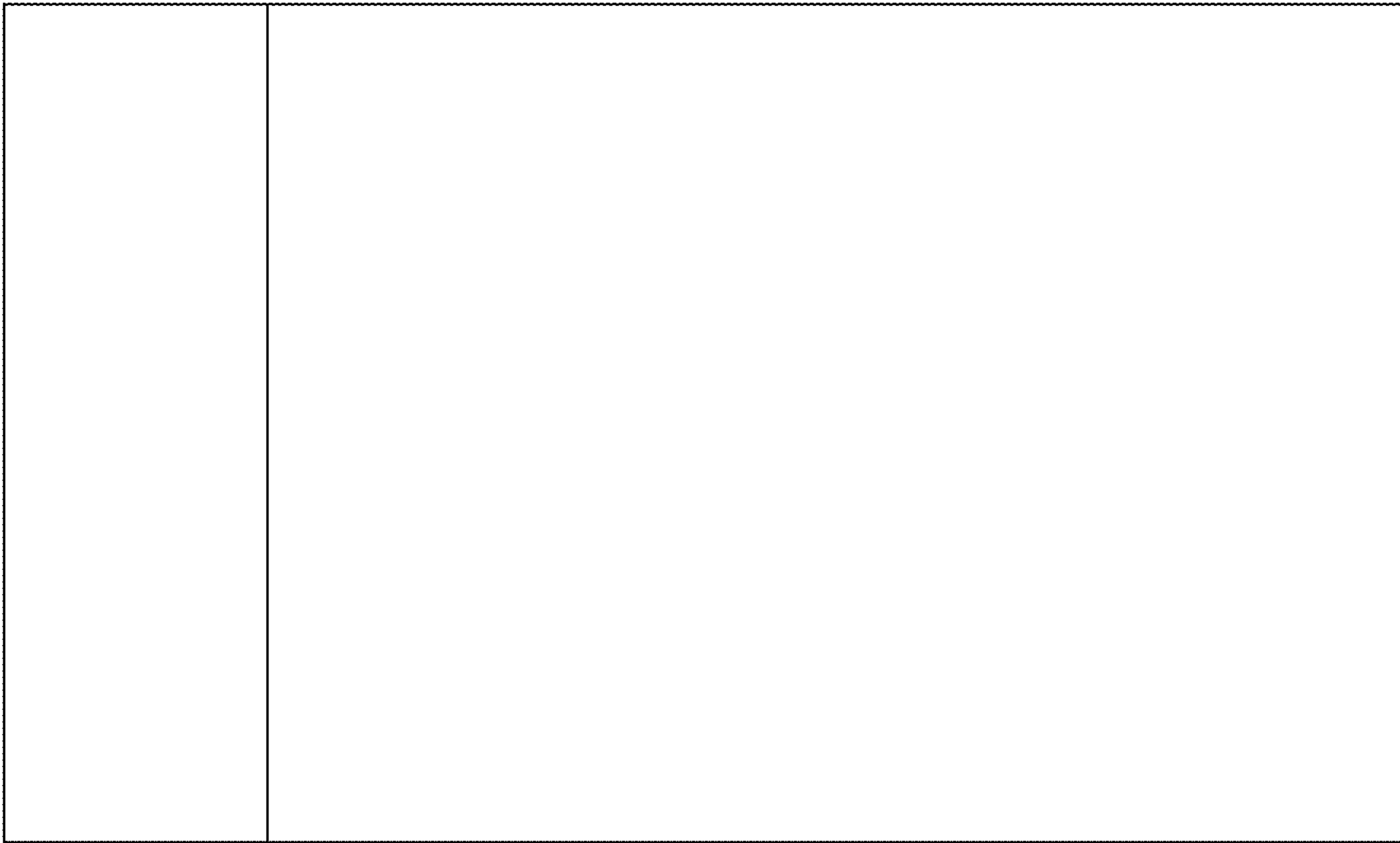
*FIG. 2*



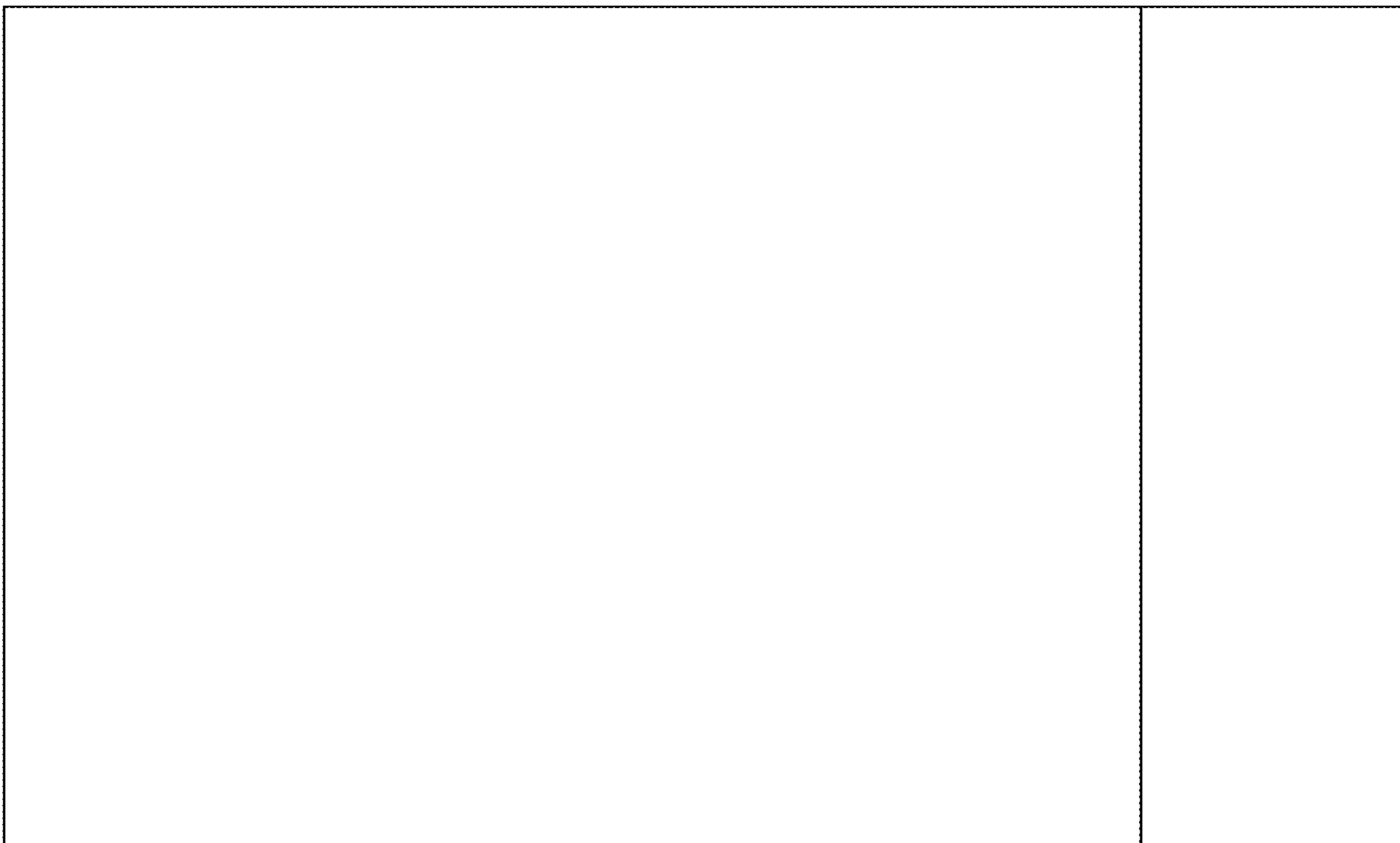
*FIG. 3*



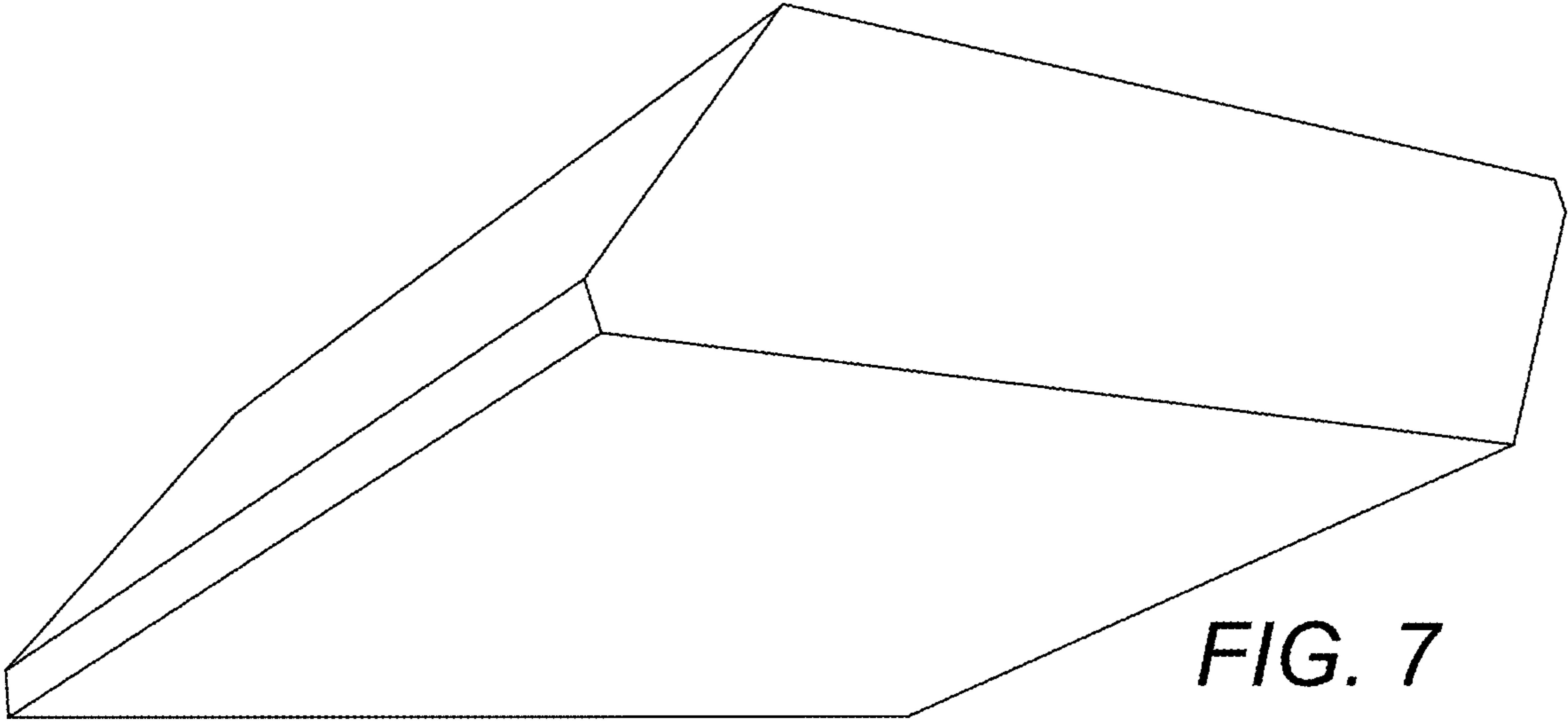
*FIG. 4*



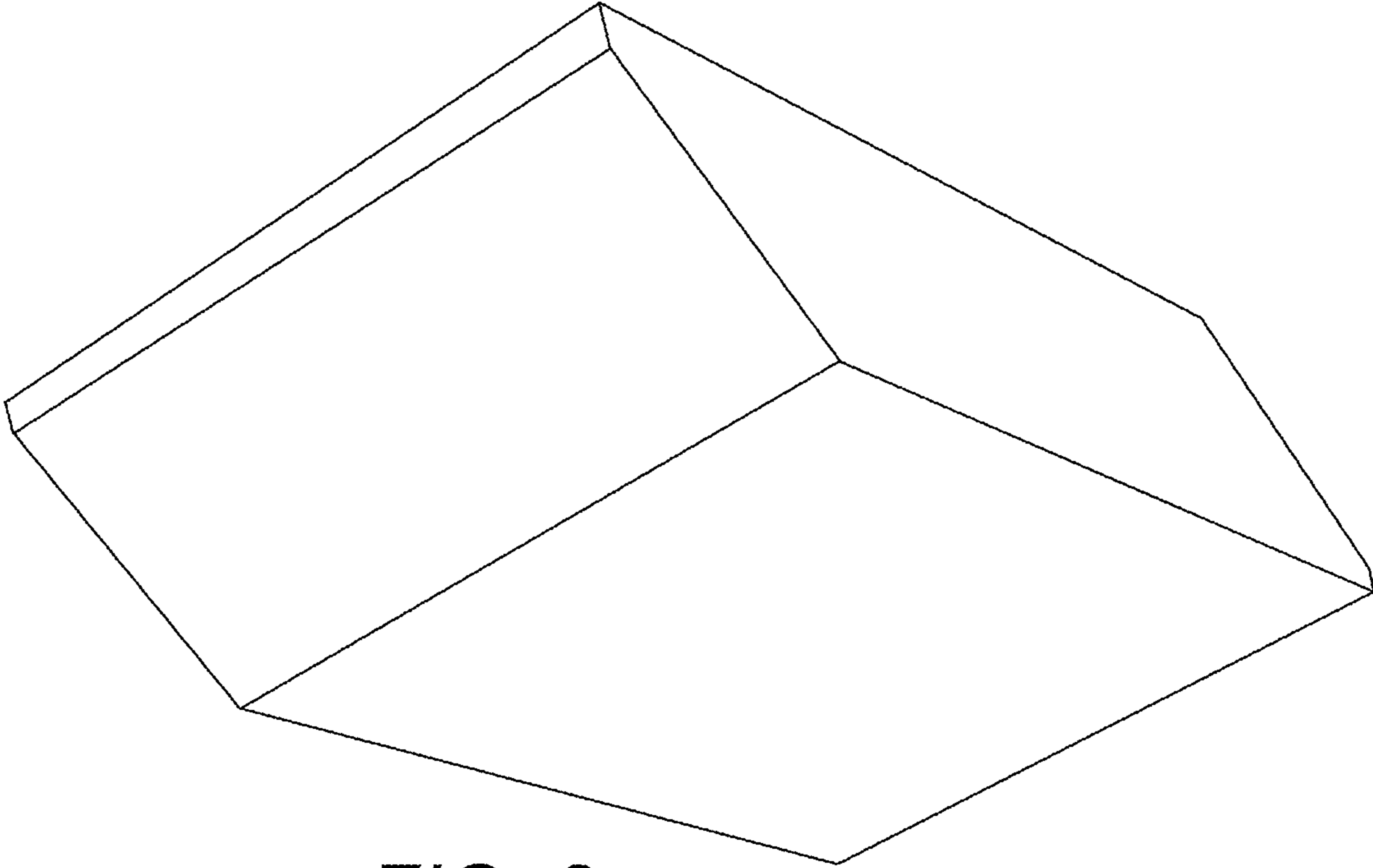
*FIG. 5*



*FIG. 6*



*FIG. 7*



*FIG. 8*