



US00D913068S

(12) **United States Design Patent**
Chan

(10) **Patent No.:** **US D913,068 S**

(45) **Date of Patent:** **** Mar. 16, 2021**

- (54) **MULTI-ANGLE CUTTING JIG**
- (71) Applicant: **Eugenia Chan**, Richmond (CA)
- (72) Inventor: **Eugenia Chan**, Richmond (CA)
- (73) Assignee: **Eugenia Chan**, Richmond (CA)
- (**) Term: **15 Years**
- (21) Appl. No.: **29/722,446**
- (22) Filed: **Jan. 29, 2020**
- (51) **LOC (13) Cl.** **08-05**
- (52) **U.S. Cl.**
USPC **D8/71**
- (58) **Field of Classification Search**
USPC D8/14, 20, 71, 98, 101
CPC B27G 5/02; B26B 5/005; B26D 1/00
See application file for complete search history.

(56) **References Cited**

U.S. PATENT DOCUMENTS

- 3,192,638 A * 7/1965 Martin F41B 5/1446
33/506
- D225,716 S * 1/1973 Mason D8/71
- D248,144 S * 6/1978 Kreitz D8/14
- D277,932 S * 3/1985 Baptiste D8/71
- D298,795 S * 12/1988 Belsham D8/71
- 5,807,036 A * 9/1998 Lostlen B23B 47/287
408/115 R
- 6,378,580 B1 * 4/2002 Lovett B23Q 1/5468
144/134.1
- 7,549,910 B2 * 6/2009 Stanley B24B 41/066
451/170

- 7,670,089 B2 * 3/2010 Chiang B23B 47/287
408/115 R
- D708,922 S * 7/2014 Evans D8/91
- 9,221,144 B2 * 12/2015 Powell B24B 9/04

* cited by examiner

Primary Examiner — Keli L Hill

Assistant Examiner — Harold E Blackwell, II

(57) **CLAIM**

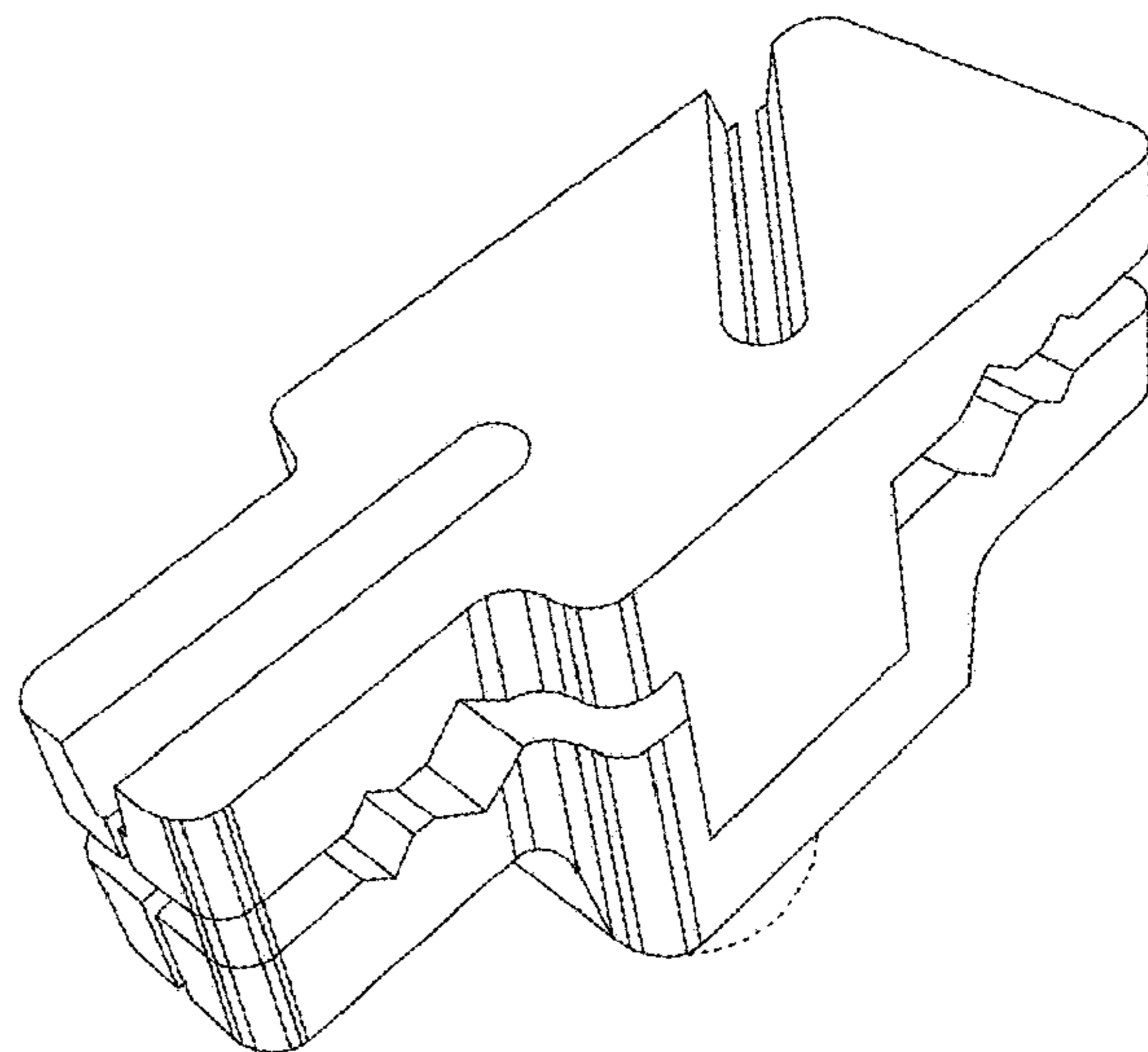
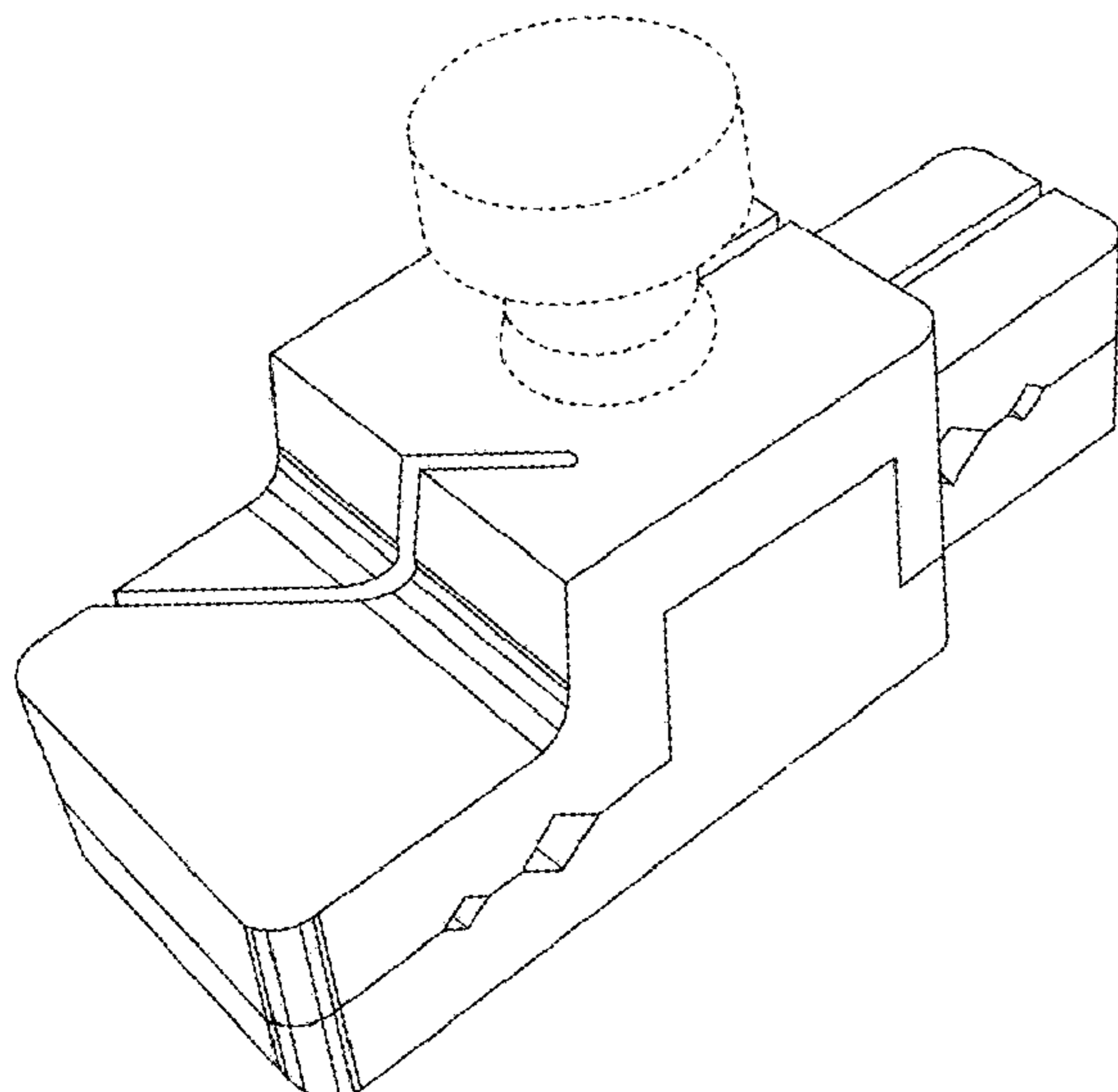
The ornamental design for a multi-angle cutting jig, substantially as shown and described.

DESCRIPTION

FIG. 1 is a top perspective view of a multi-angle cutting jig showing my new design;
 FIG. 2 is a bottom perspective view thereof, showing the multi-angle cutting jig in an open state;
 FIG. 3 is a front elevational view thereof;
 FIG. 4 is a rear elevational view thereof;
 FIG. 5 is a left side elevational view thereof;
 FIG. 6 is a right side elevational view thereof;
 FIG. 7 is a top plan view thereof; and,
 FIG. 8 is a bottom plan view thereof.

The broken lines depicted in FIG. 1 to FIG. 6 represent an adjusting/tightening knob for use with the multi-angle cutting jig according to the claimed design. The broken lines in the drawings illustrate portions of the multi-angle cutting which form no part of the claimed design.

1 Claim, 4 Drawing Sheets



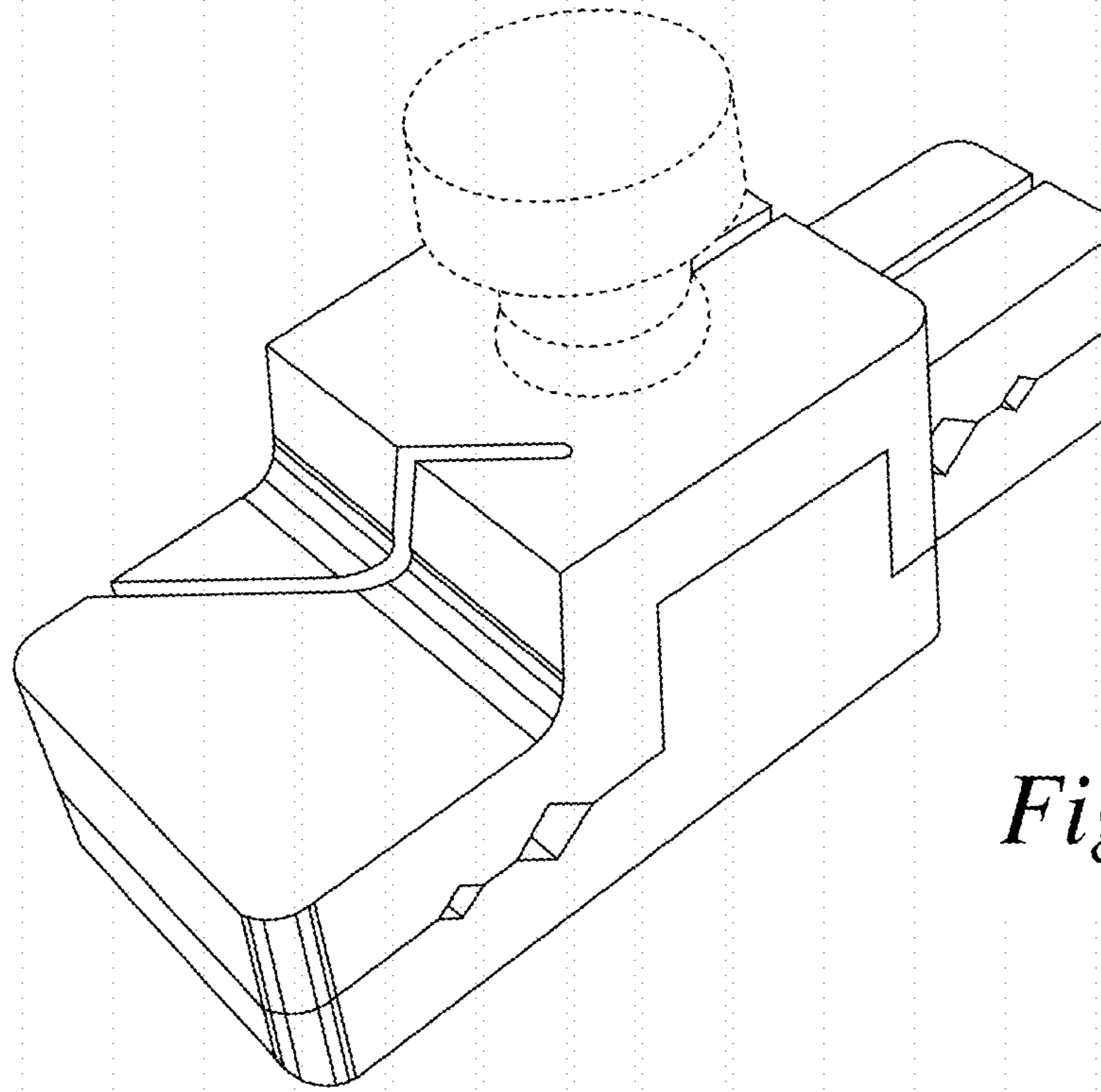


Fig. 1

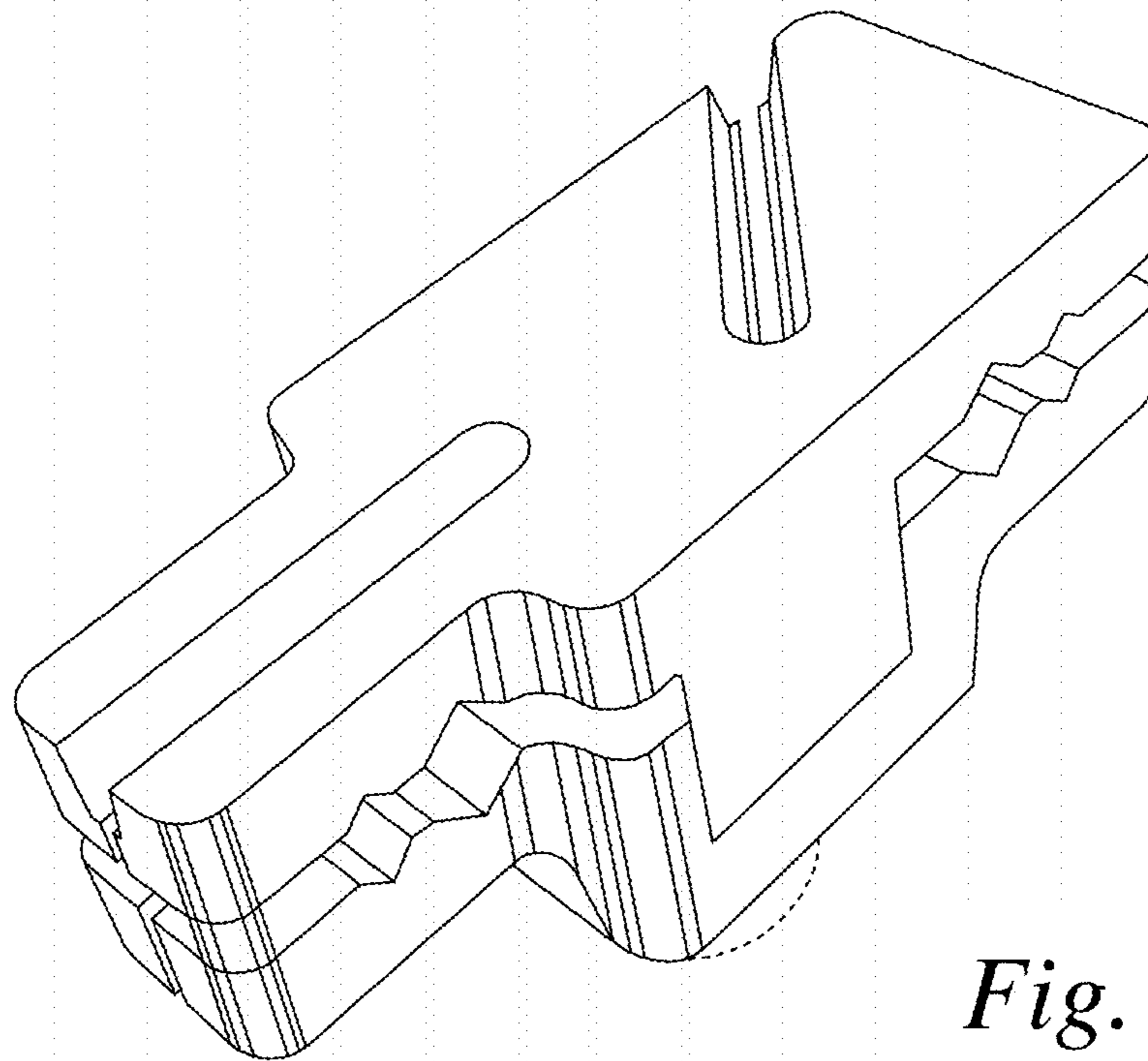


Fig. 2

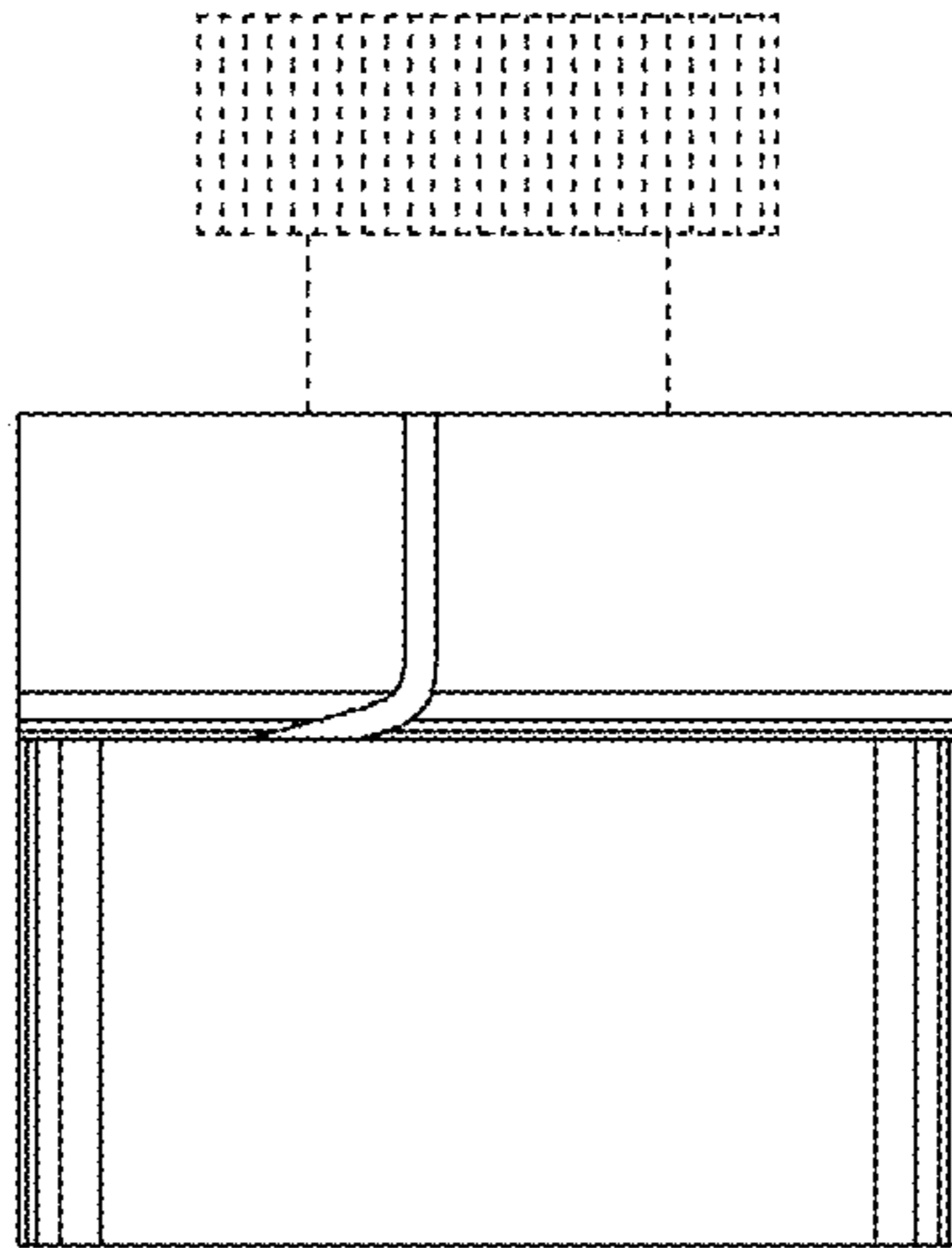


Fig. 3

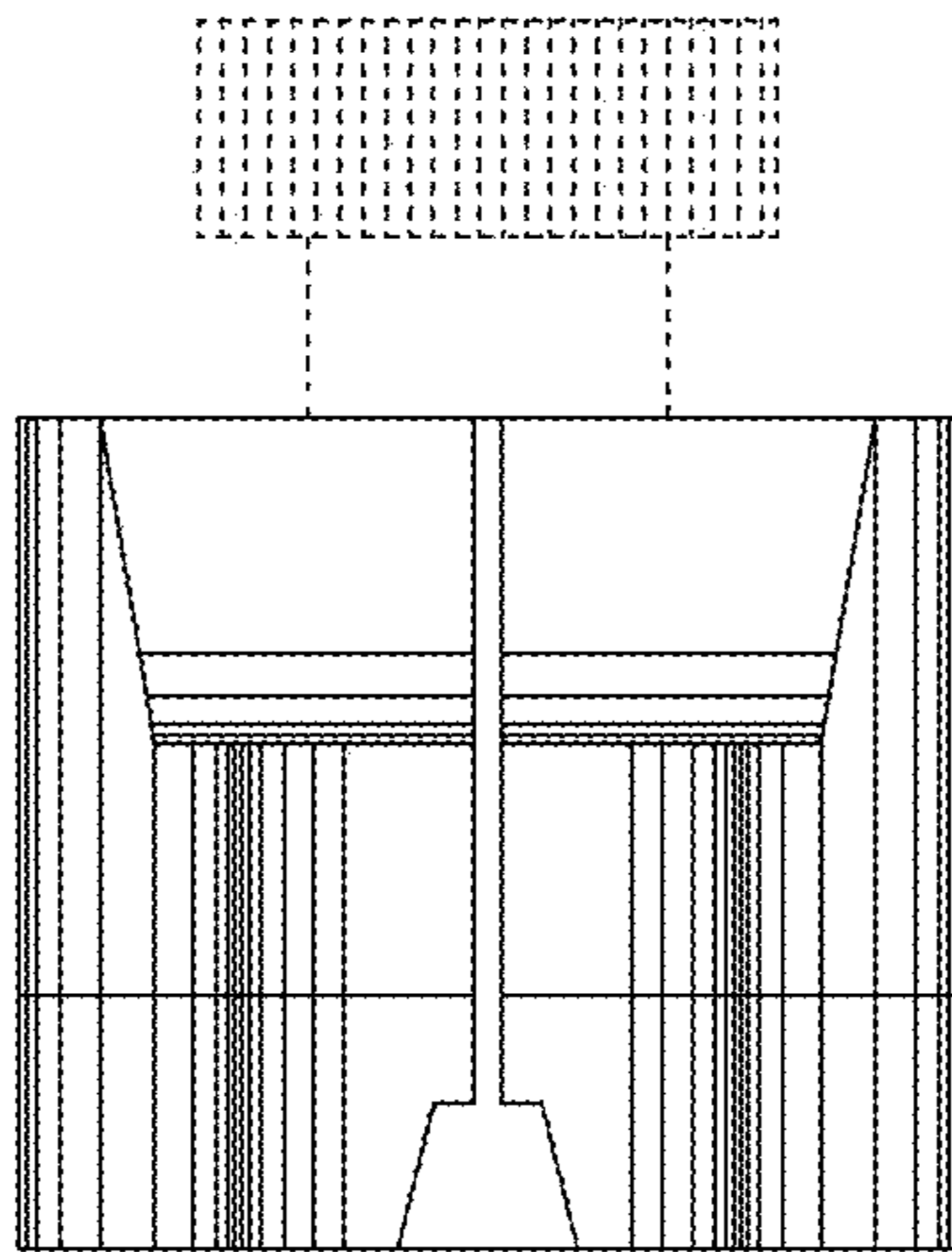


Fig. 4

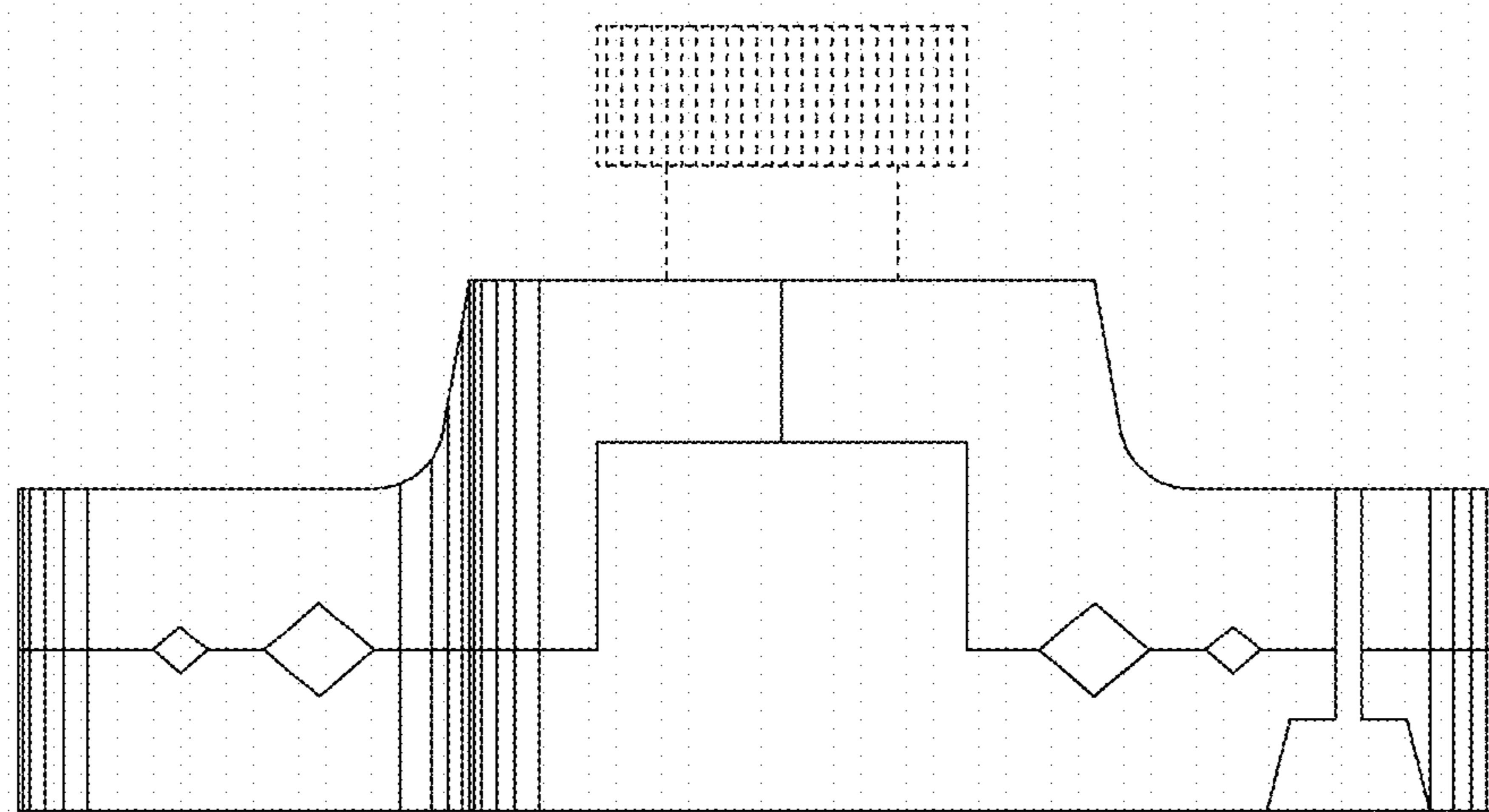


Fig. 5

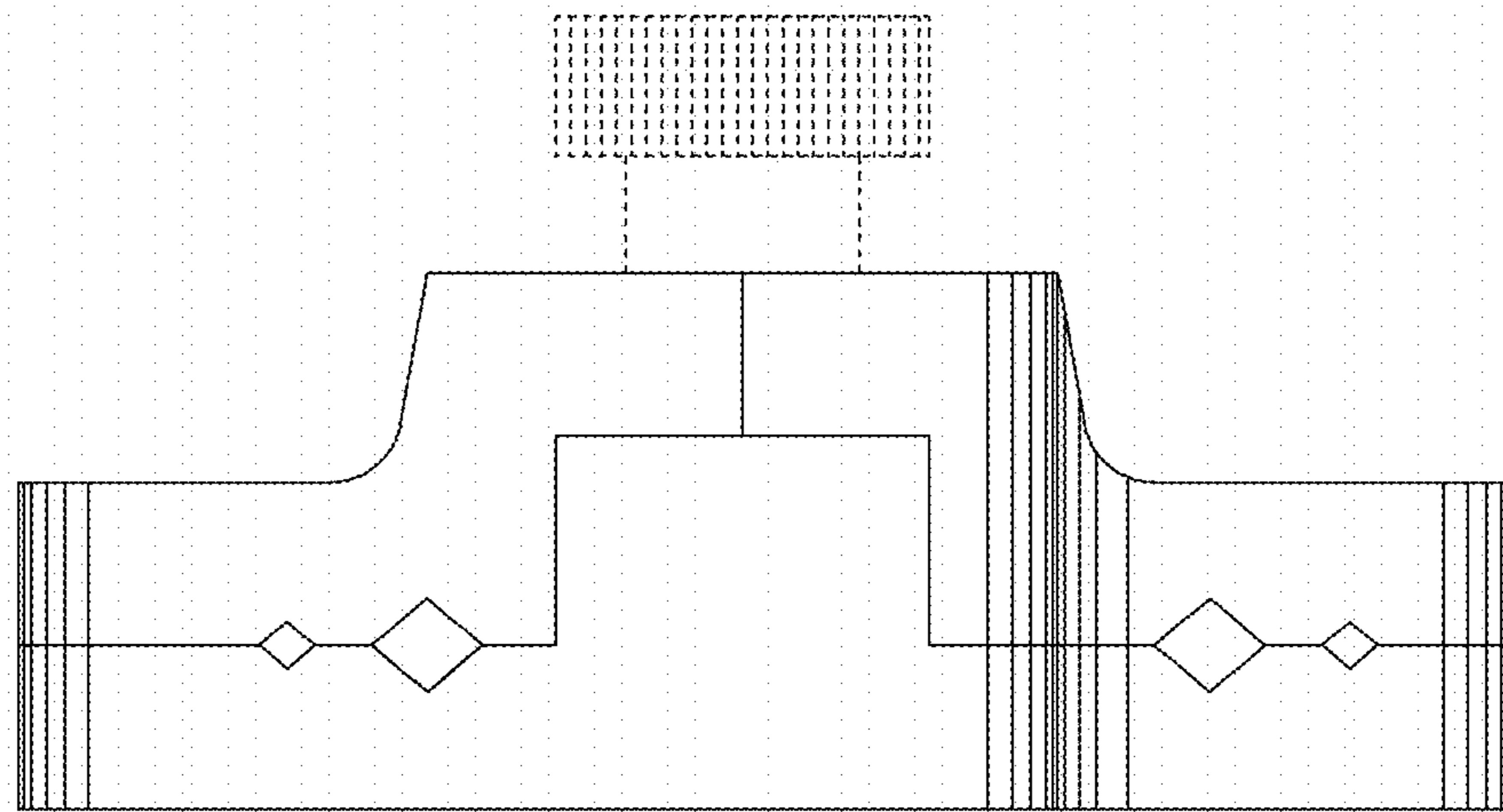


Fig. 6

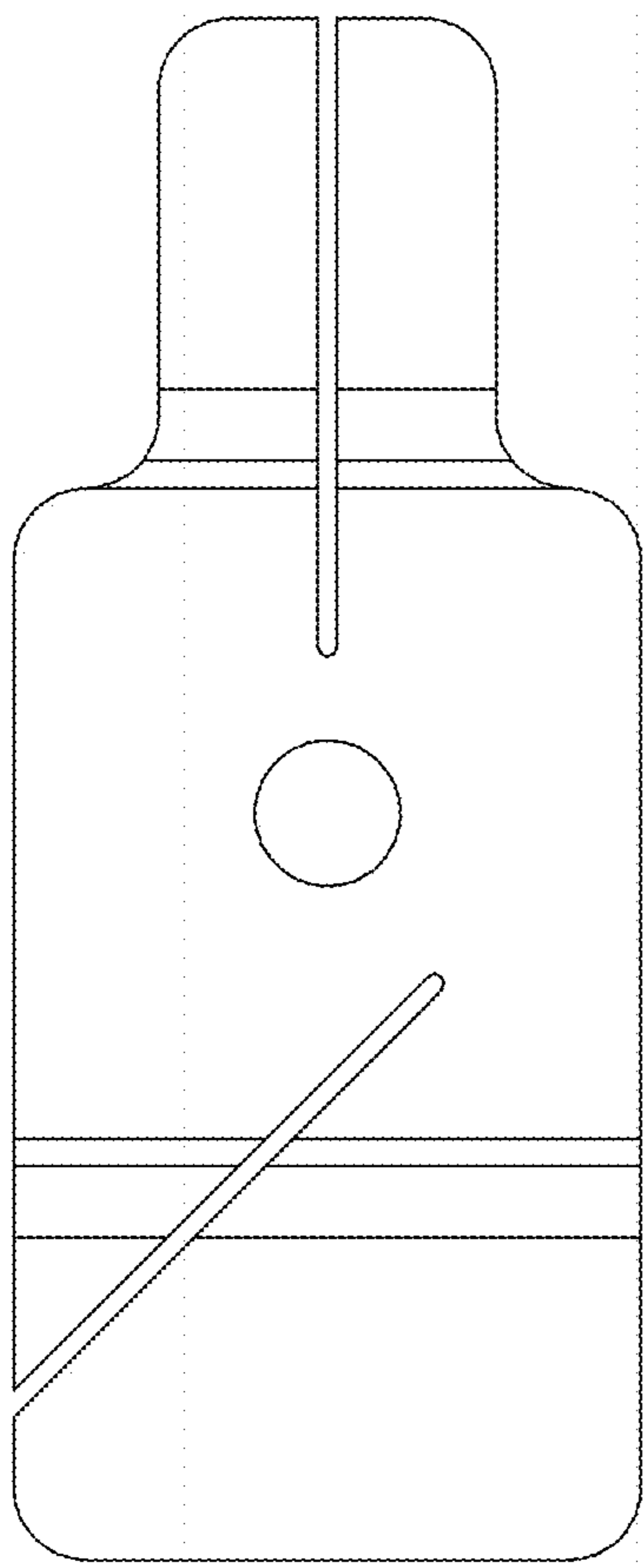


Fig. 7

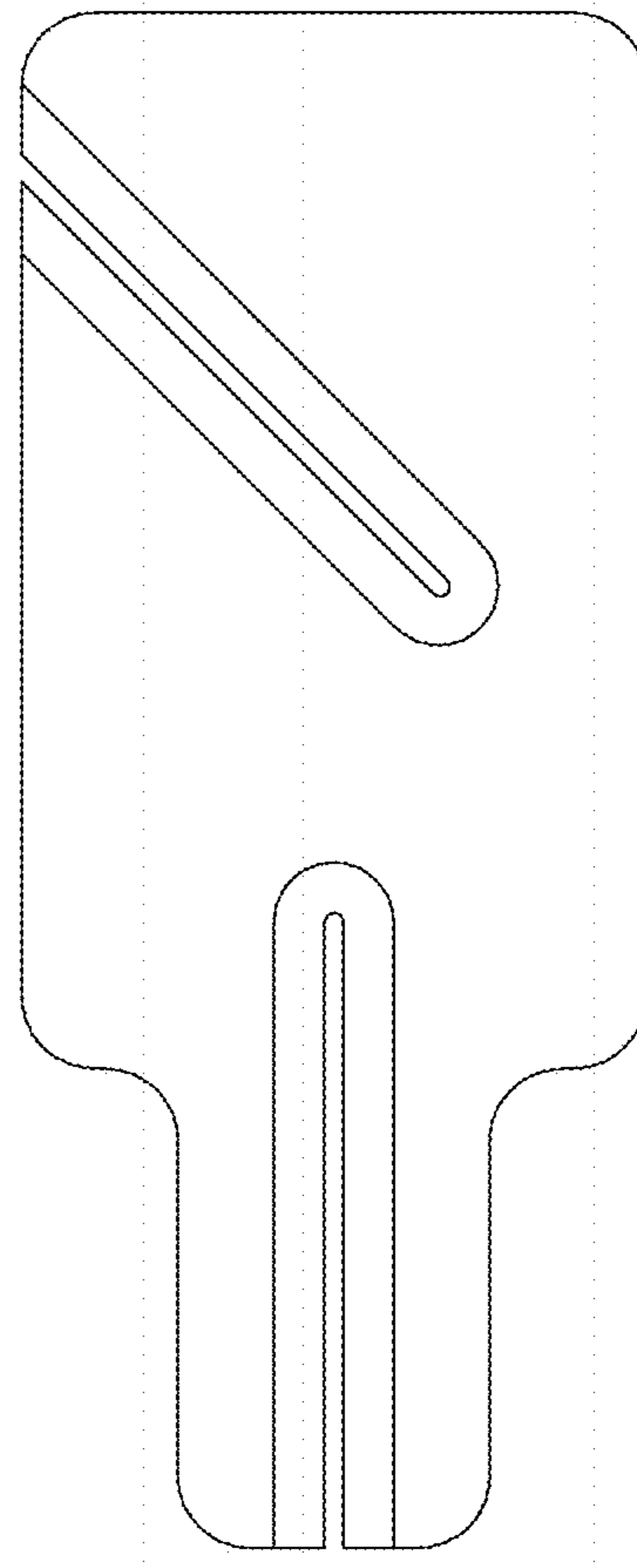


Fig. 8