



US00D913067S

(12) **United States Design Patent** (10) **Patent No.:** **US D913,067 S**
Dunn (45) **Date of Patent:** **** Mar. 16, 2021**

(54) **MIXING APPARATUS**
(71) Applicant: **V1 Enterprises, LLC**, Colorado Springs, CO (US)
(72) Inventor: **Donald T. Dunn**, Colorado Springs, CO (US)
(73) Assignee: **V1 Enterprises, LLC**, Colorado Springs, CO (US)

4,398,829 A 8/1983 Shick
4,420,262 A 12/1983 Sterrenberg
D277,729 S * 2/1985 Maxwell D7/690
4,497,581 A 2/1985 Miller
D290,084 S * 6/1987 Klapperich D7/688
5,098,193 A * 3/1992 Christensen B01F 7/00408
279/102
D334,577 S * 4/1993 Wheat D15/139
(Continued)

(**) Term: **15 Years**

WO WO 2019/027985 2/2019

(21) Appl. No.: **29/696,801**

OTHER PUBLICATIONS

(22) Filed: **Jul. 1, 2019**

Notification of Transmittal of International Search Report and the Written Opinion of the International Search Authority for International Patent Application (PCT) No. PCT/US2018/044550 dated Oct. 1, 2018; 11 pages.

(51) **LOC (13) Cl.** **08-03**

(52) **U.S. Cl.**
USPC **D8/70**; D8/14; D7/412

(58) **Field of Classification Search**
USPC D7/99, 306-313, 317-318, 326, 356, D7/376-386, 392, 397-399, 412-415, D7/607, 665, 688, 693; D8/14, 70; D15/12, 28, 138; D32/35, 46, 54
CPC B01F 13/002; B01F 13/0033; B01F 15/00006; B01F 7/00325; B65D 83/38; B65D 1/0215; B65D 83/207
See application file for complete search history.

Primary Examiner — Darlington Ly
(74) *Attorney, Agent, or Firm* — Aspire IP, LLC; Scott J. Hawranek

(57) **CLAIM**

The ornamental design for a mixing apparatus, as shown and described.

(56) **References Cited**

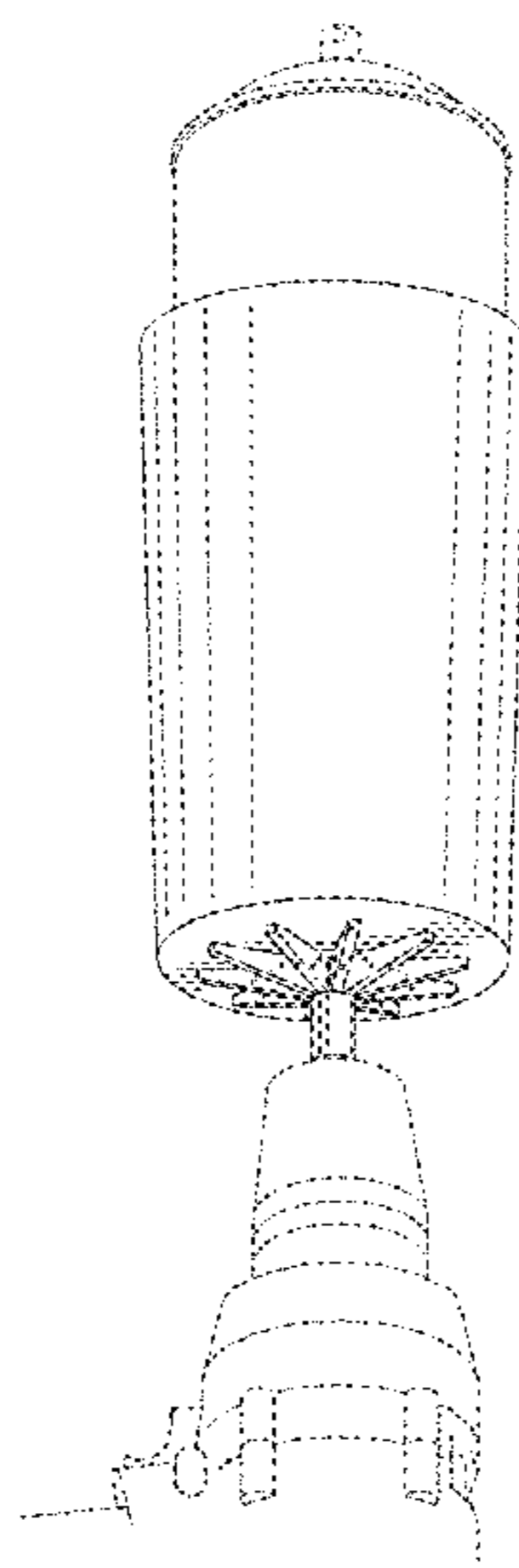
U.S. PATENT DOCUMENTS

2,846,201 A 8/1958 Mermelstein
2,944,799 A 7/1960 Larson
3,330,537 A 7/1967 Wason
3,430,927 A 3/1969 Pouzar
3,542,344 A 11/1970 Oberhauser et al.
3,733,645 A * 5/1973 Seiler B01F 15/00538
15/257.01
3,980,281 A * 9/1976 Okabayashi B01F 15/00
366/279
4,176,797 A * 12/1979 Kemp B01F 7/0045
241/30
4,318,622 A 3/1982 Sterrenberg

DESCRIPTION

FIG. 1 is a perspective view of a mixing apparatus showing my new design;
FIG. 2 is a left side elevation view thereof;
FIG. 3 is a right side elevation view thereof;
FIG. 4 is a front elevation view thereof;
FIG. 5 is a rear elevation view thereof;
FIG. 6 is a top plan view thereof;
FIG. 7 is a bottom plan view thereof;
FIG. 8 is a perspective view thereof showing depth of the mixing apparatus; and,
FIG. 9 is a perspective view thereof in an environment.

1 Claim, 6 Drawing Sheets



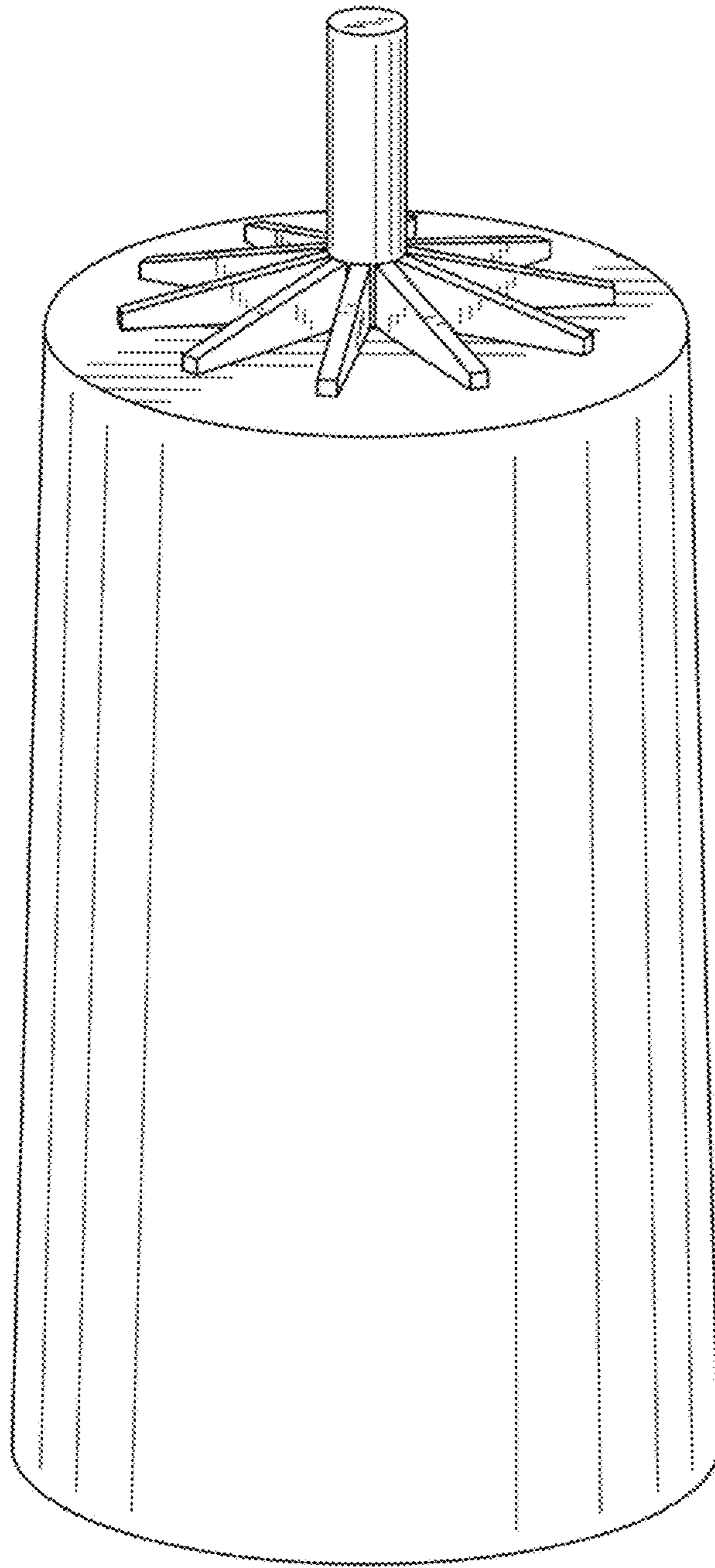


FIG. 1

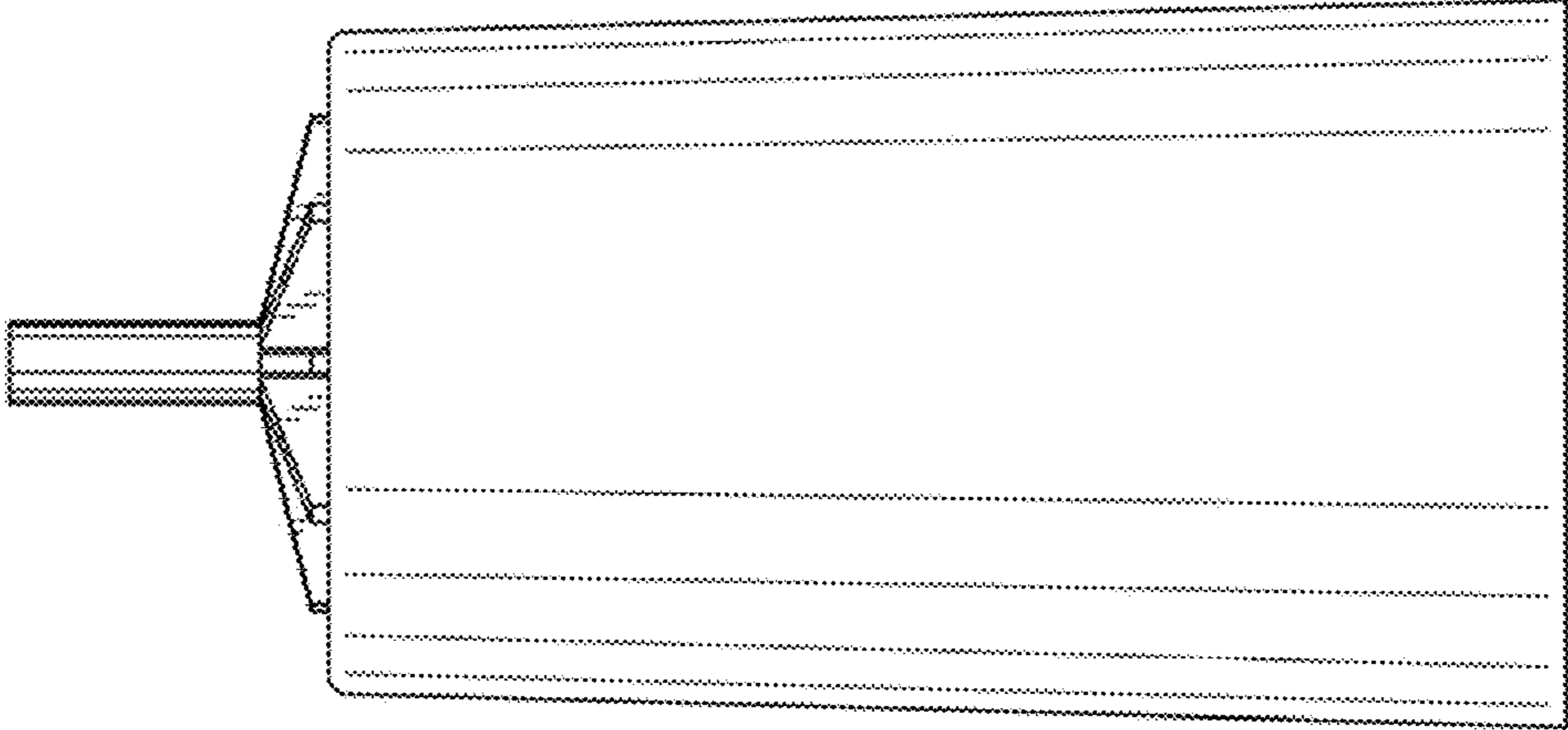


FIG. 2

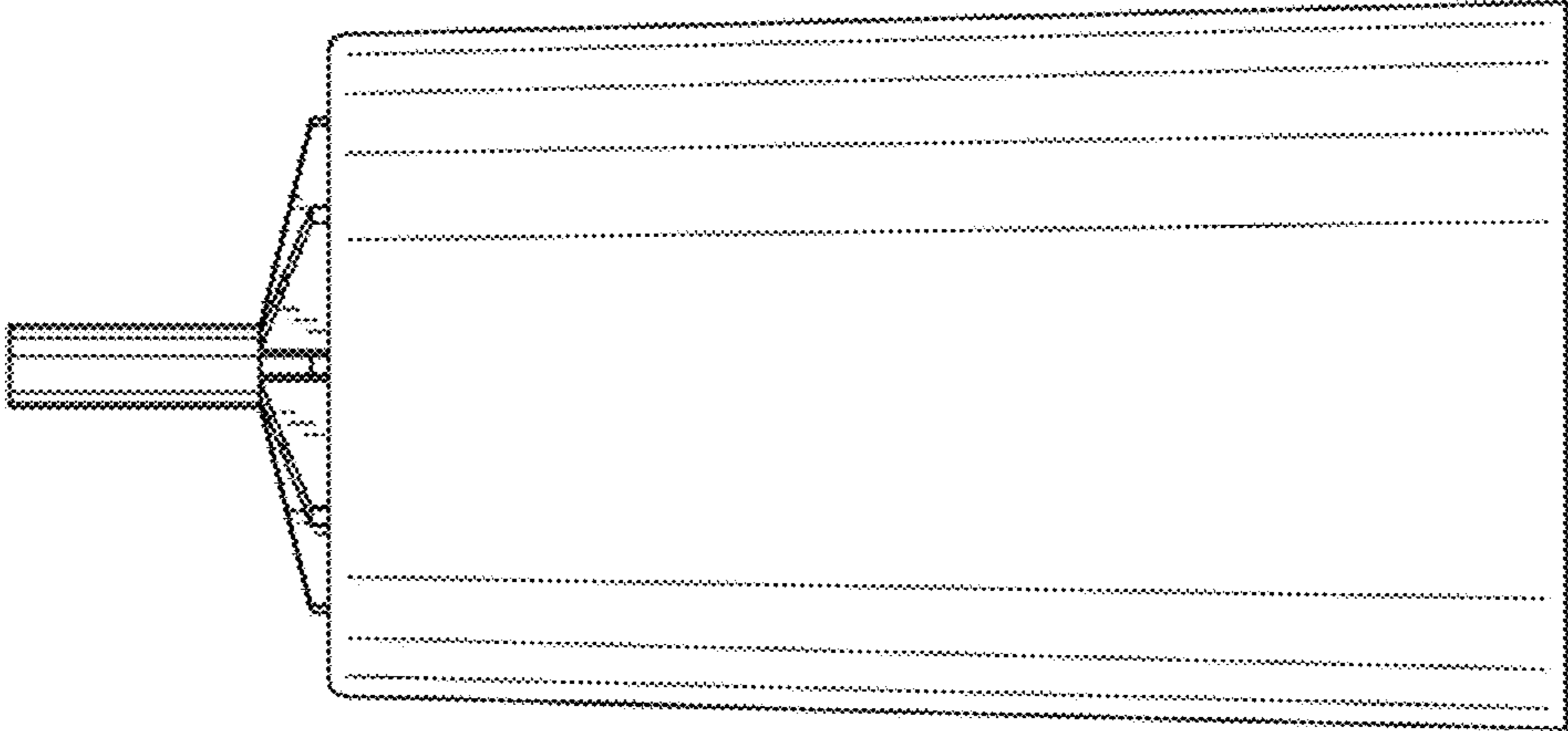


FIG. 3

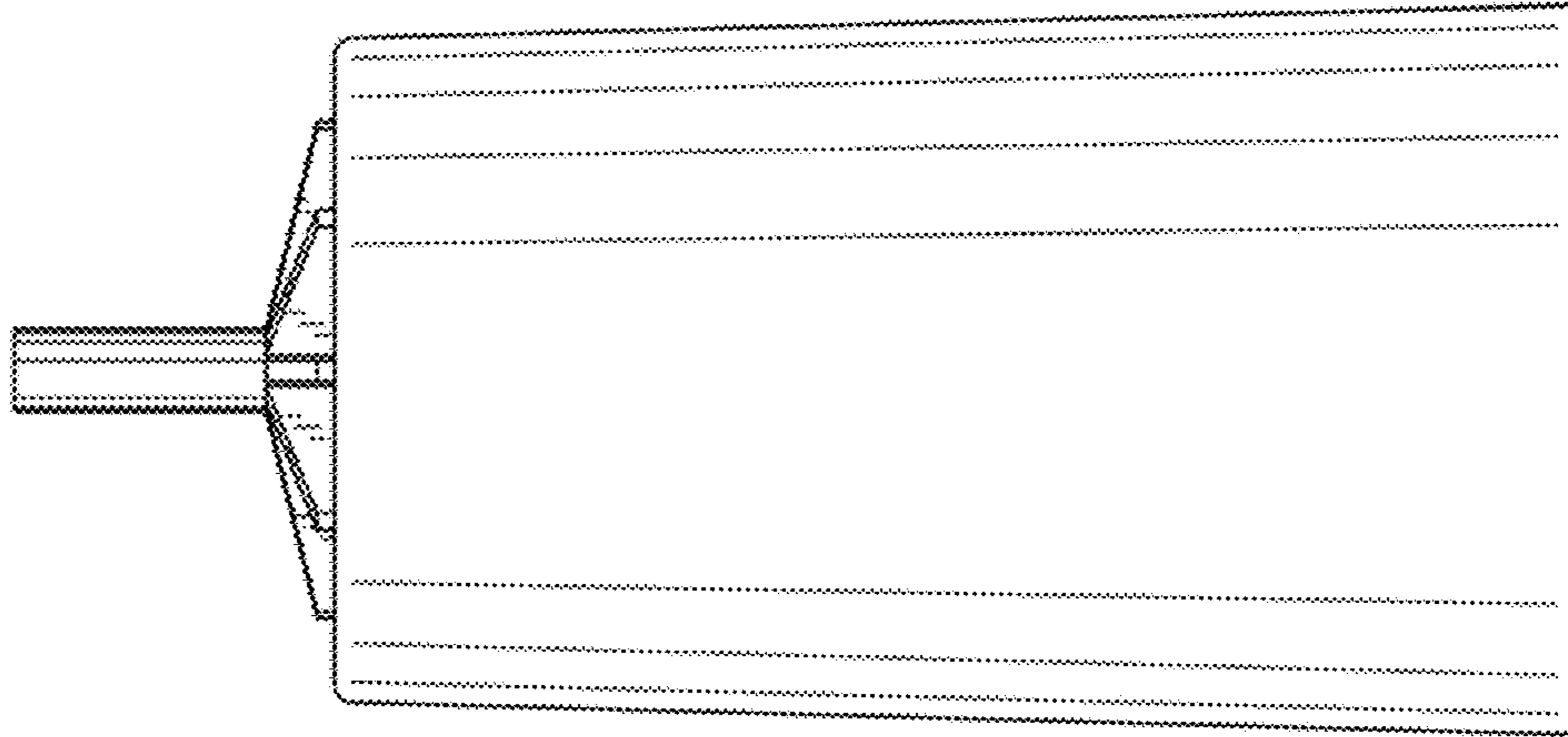


FIG. 5

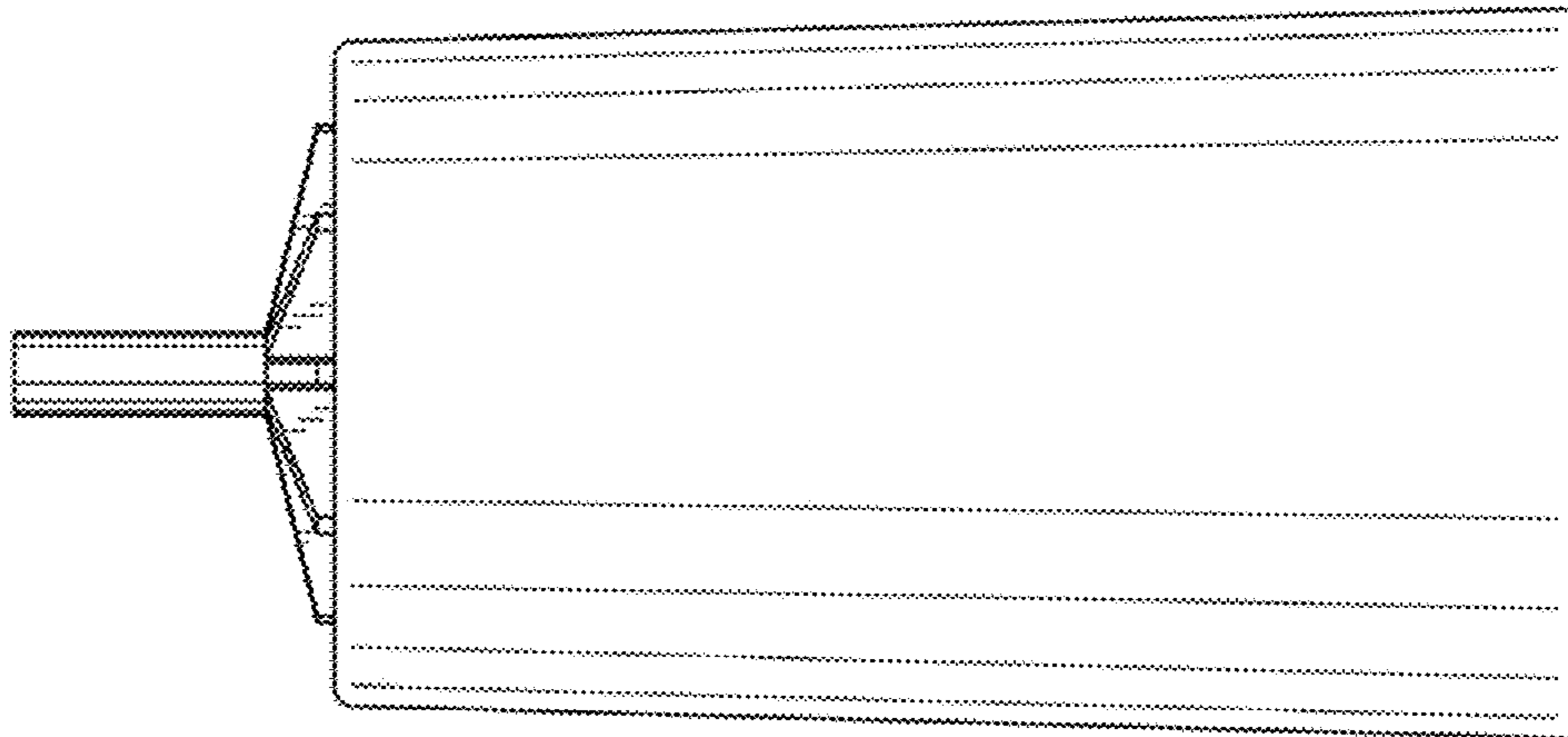


FIG. 4

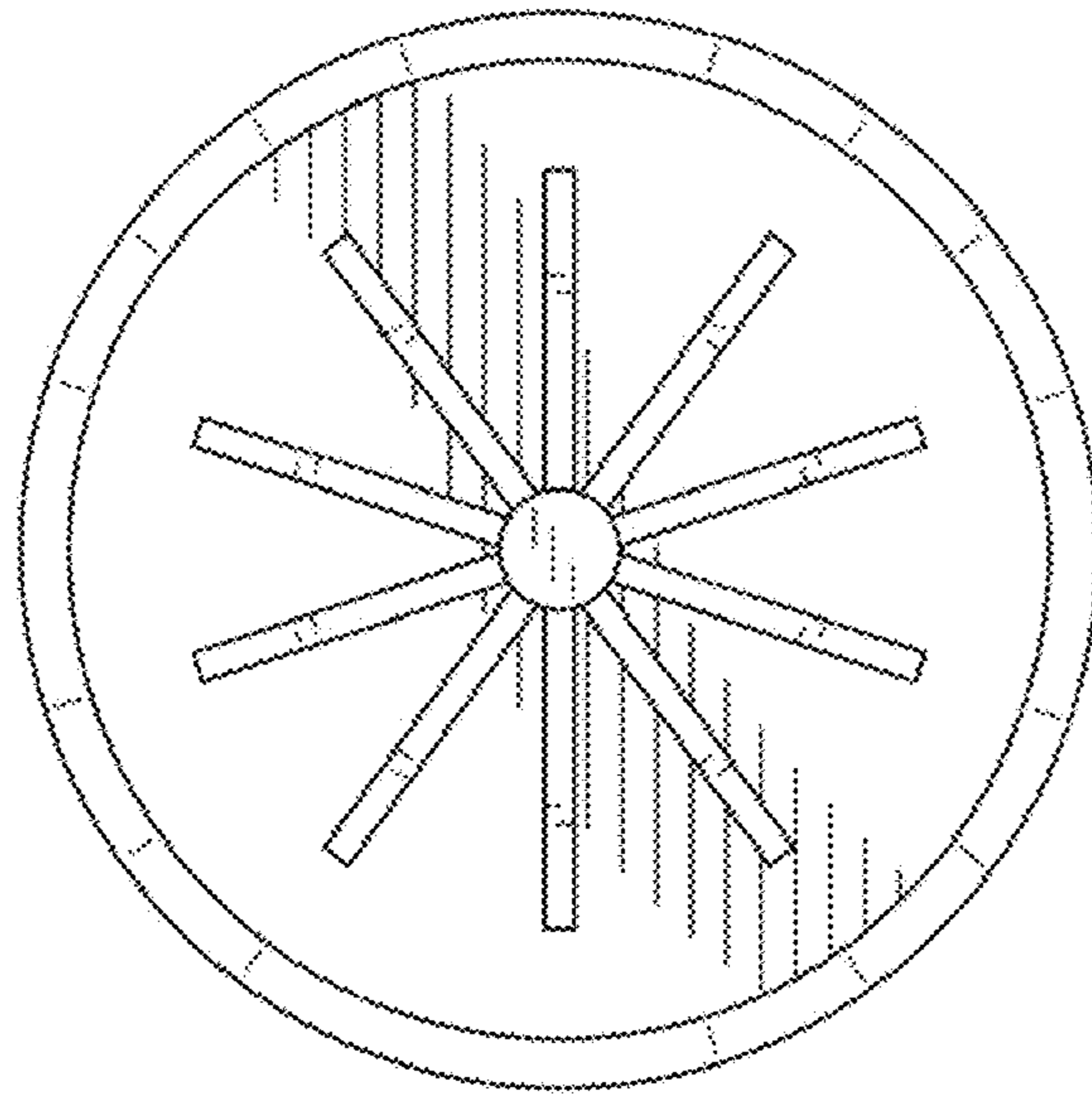


FIG. 6

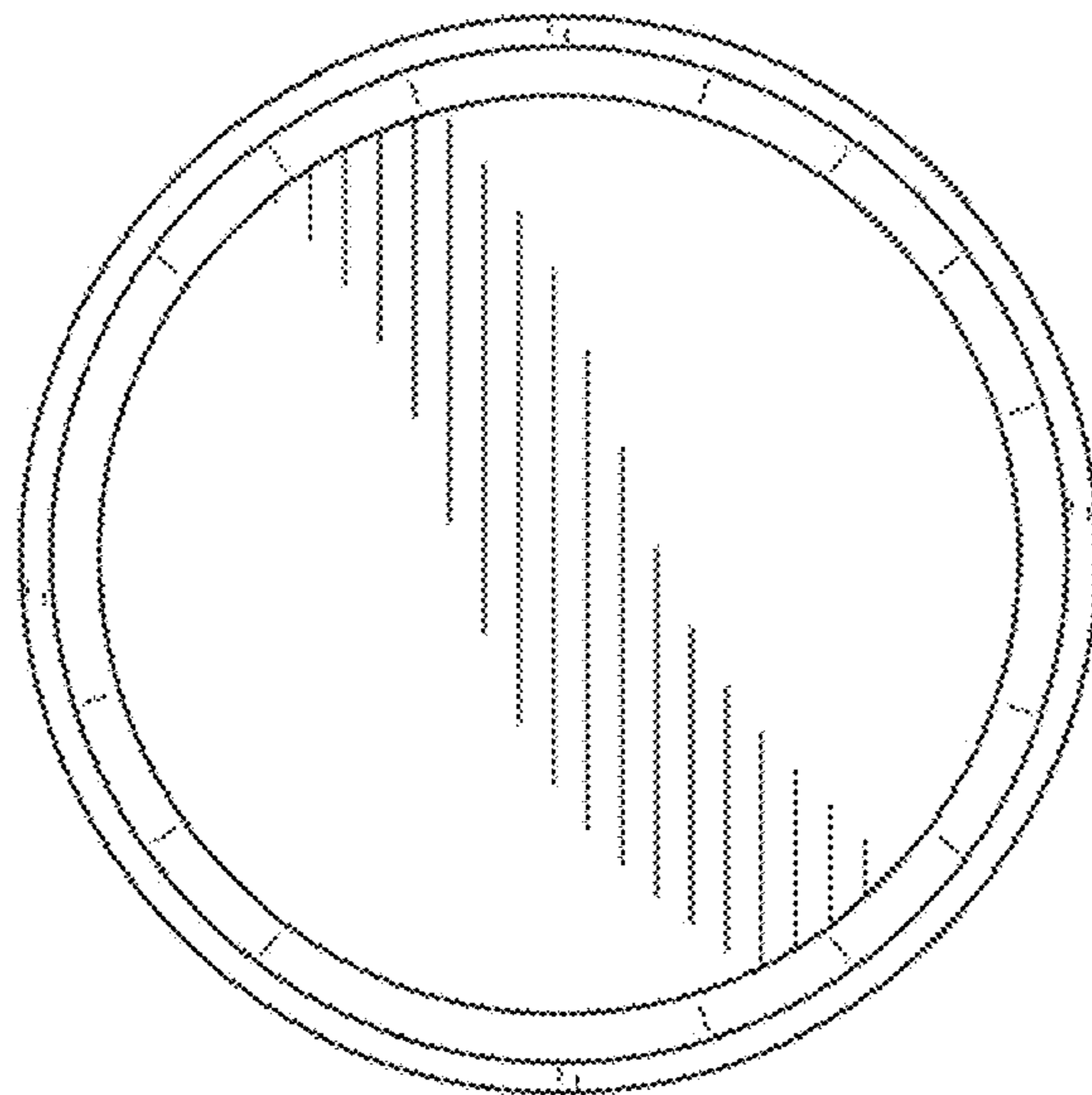


FIG. 7

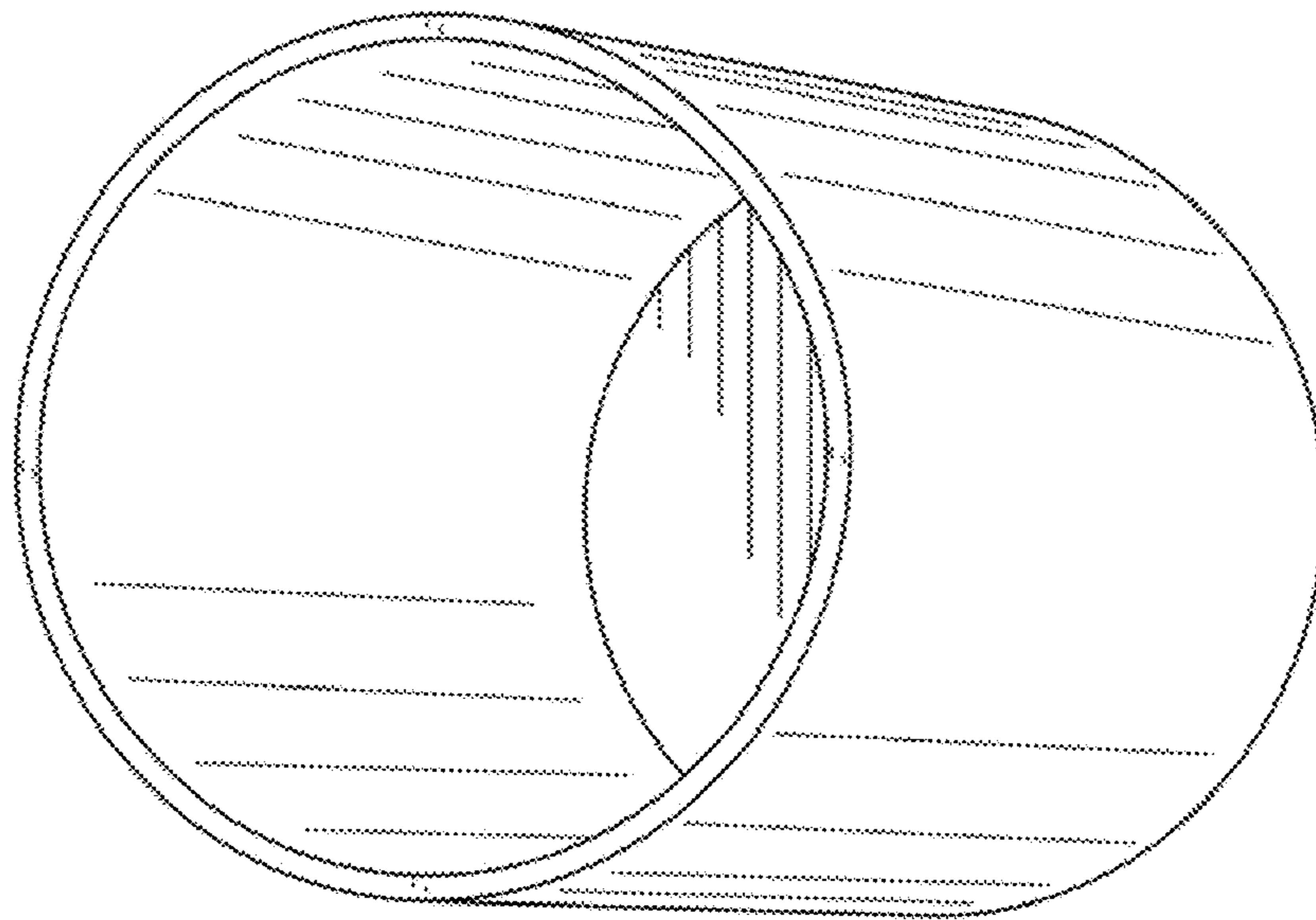


FIG. 8

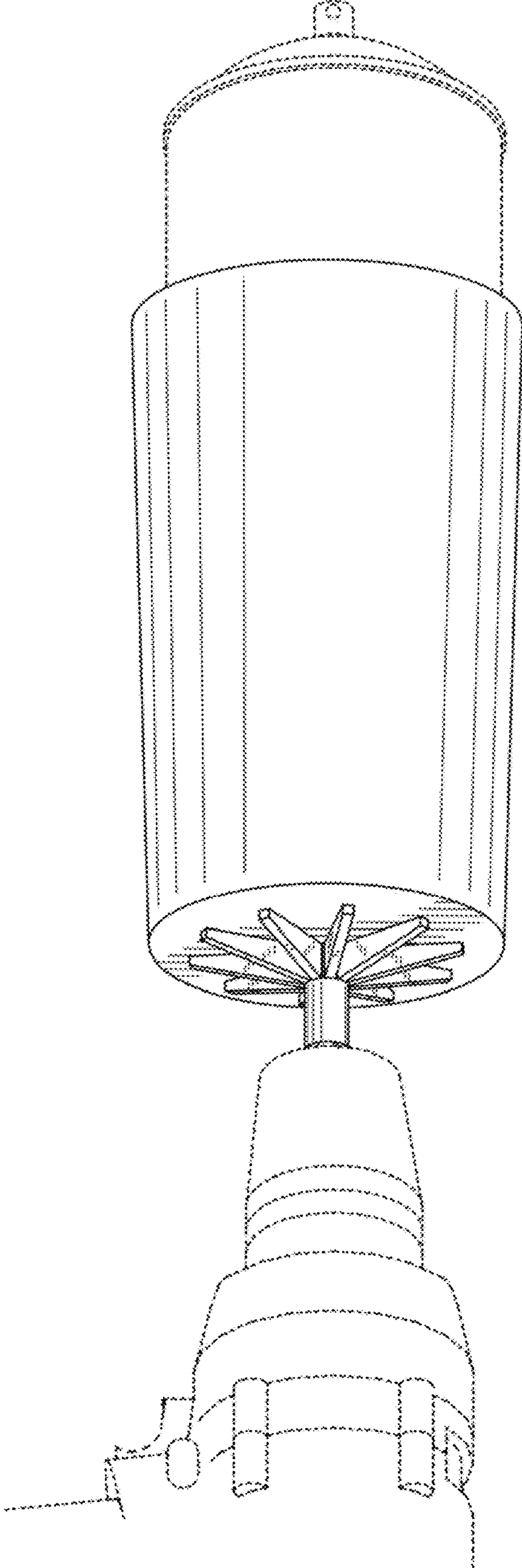


FIG. 9