



US00D913066S

(12) **United States Design Patent**
Wang

(10) **Patent No.:** **US D913,066 S**

(45) **Date of Patent:** **** Mar. 16, 2021**

(54) **SERVO TRANSDUCER ELECTRIC
SCREWDRIVER**

(71) Applicant: **Te-Huang Wang**, New Taipei (TW)

(72) Inventor: **Te-Huang Wang**, New Taipei (TW)

(**) Term: **15 Years**

(21) Appl. No.: **29/710,748**

(22) Filed: **Oct. 25, 2019**

(51) **LOC (13) Cl.** **08-01**

(52) **U.S. Cl.**
USPC **D8/61**

(58) **Field of Classification Search**
USPC D8/61, 62, 67, 69, 8, 83
CPC . B25B 23/142; B25B 23/145; B25B 23/1453;
B25B 23/147; B25B 21/00
See application file for complete search history.

(56) **References Cited**

U.S. PATENT DOCUMENTS

D322,205 S *	12/1991	Liu	D8/61
D434,957 S *	12/2000	Heinrichs	D8/61
D468,605 S *	1/2003	Morgan	D8/61
D470,374 S *	2/2003	Murray	D8/61
D525,498 S *	7/2006	Chen	D8/61
D525,500 S *	7/2006	Chen	D8/61
D534,777 S *	1/2007	Miller	D8/61
D565,916 S *	4/2008	Chen	D8/61
D583,209 S *	12/2008	Shyeh	D8/61
D590,679 S *	4/2009	Enriquez	D8/61
D682,647 S *	5/2013	Yaschur	D8/61
D682,648 S *	5/2013	Yaschur	D8/61

D688,109 S *	8/2013	Vanderbeek	D8/61
2001/0034675 A1 *	10/2001	Belford	G06Q 20/10 705/30
2002/0164495 A1 *	11/2002	Sweet	G03F 1/68 428/534
2006/0096767 A1 *	5/2006	Miller	B25B 21/00 173/2
2010/0139432 A1 *	6/2010	Steckel	B25F 5/001 74/412 TA

* cited by examiner

Primary Examiner — Philip S Hyder

(74) *Attorney, Agent, or Firm* — Browdy and Neimark, PLLC

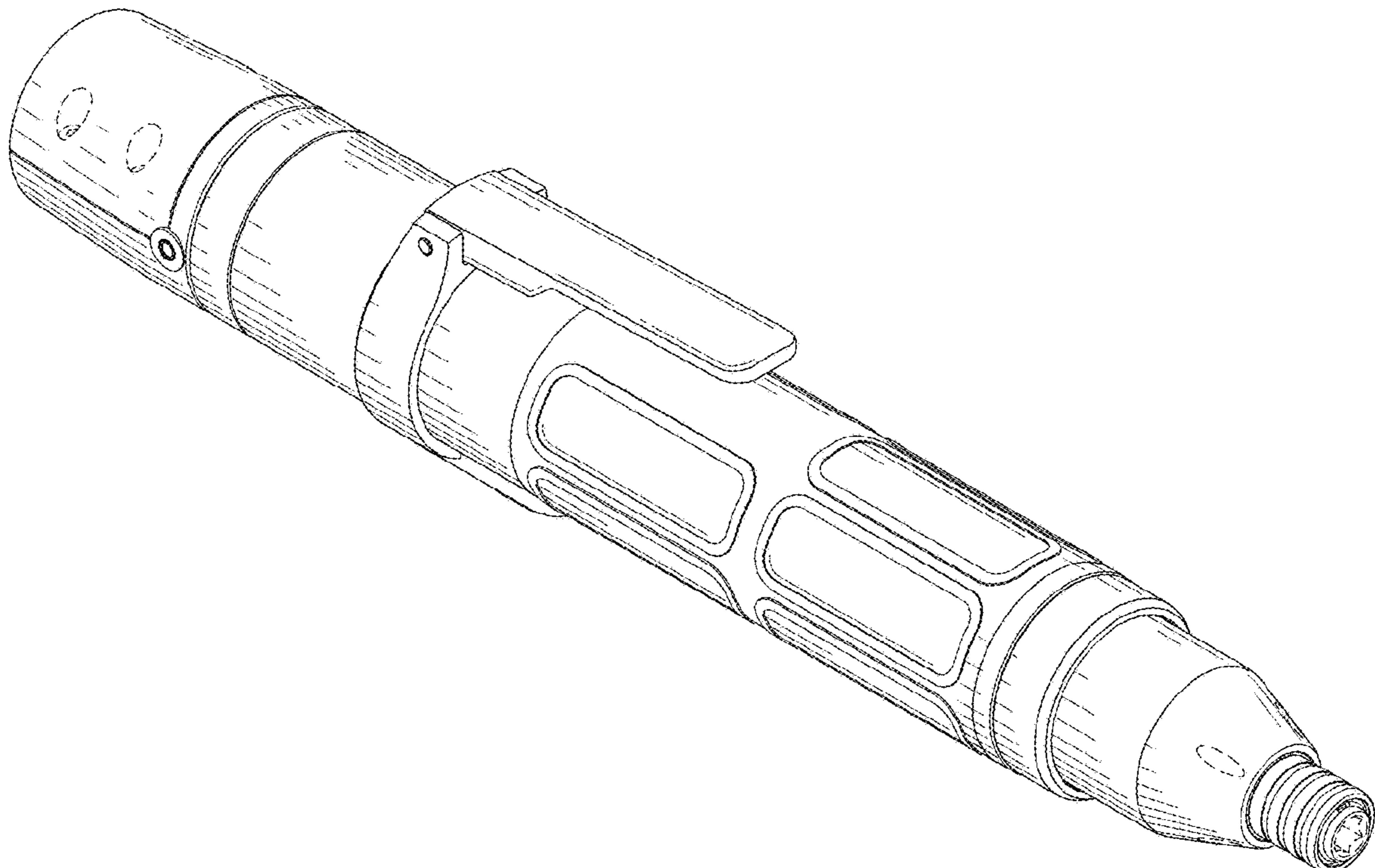
(57) **CLAIM**

The ornamental design for n servo transducer electric screwdriver, as shown and described.

DESCRIPTION

FIG. 1 is a perspective view of a servo transducer electric screwdriver showing my new design;
FIG. 2 is a front view thereof;
FIG. 3 is a rear view thereof;
FIG. 4 is a left side view thereof;
FIG. 5 is a right side view thereof;
FIG. 6 is a top view thereof; and,
FIG. 7 is a bottom view thereof.
The broken lines illustrate portions of the servo transducer electric screwdriver in which the design is embodied that form no part of claimed design.

1 Claim, 7 Drawing Sheets



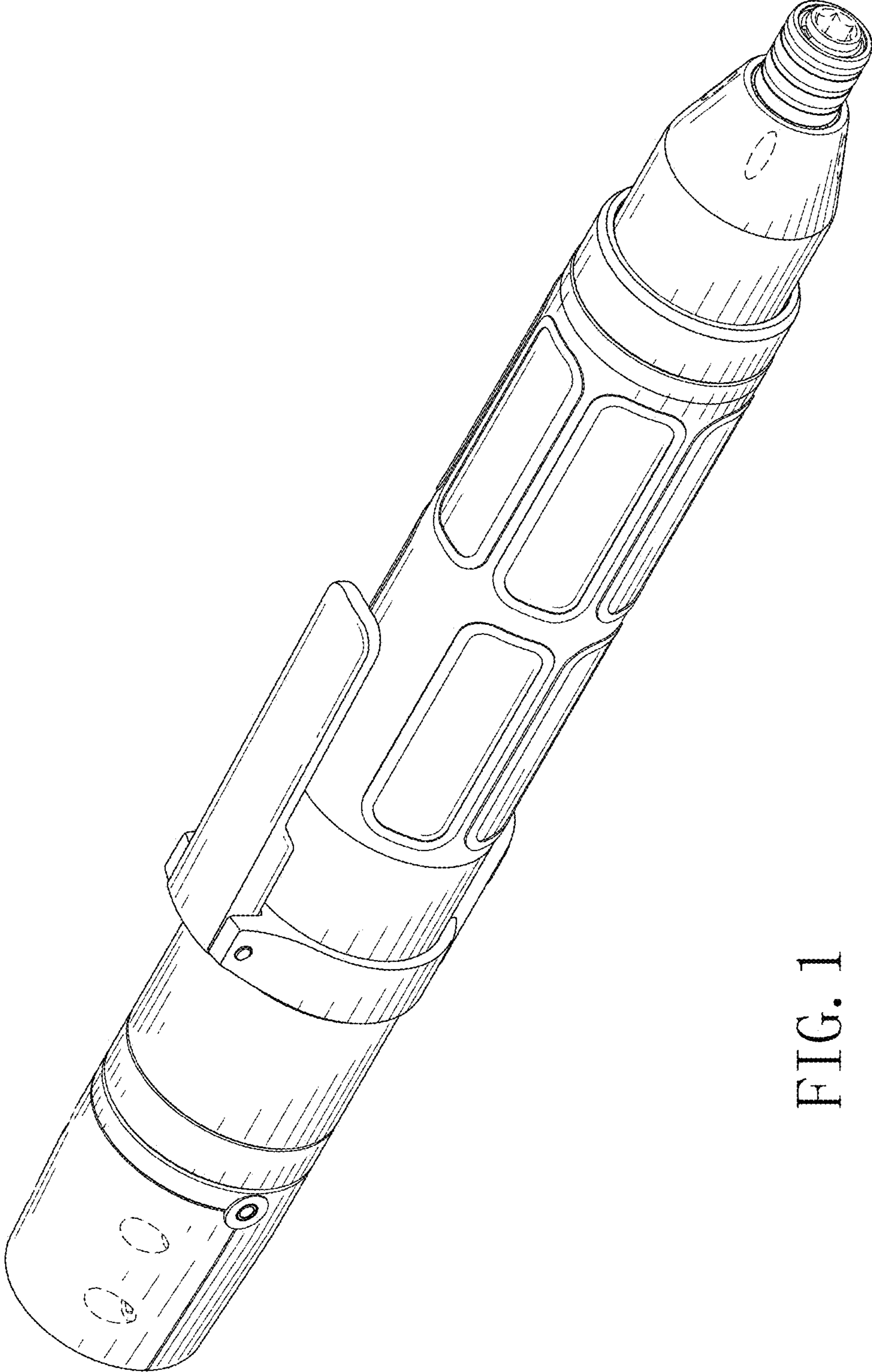


FIG. 1

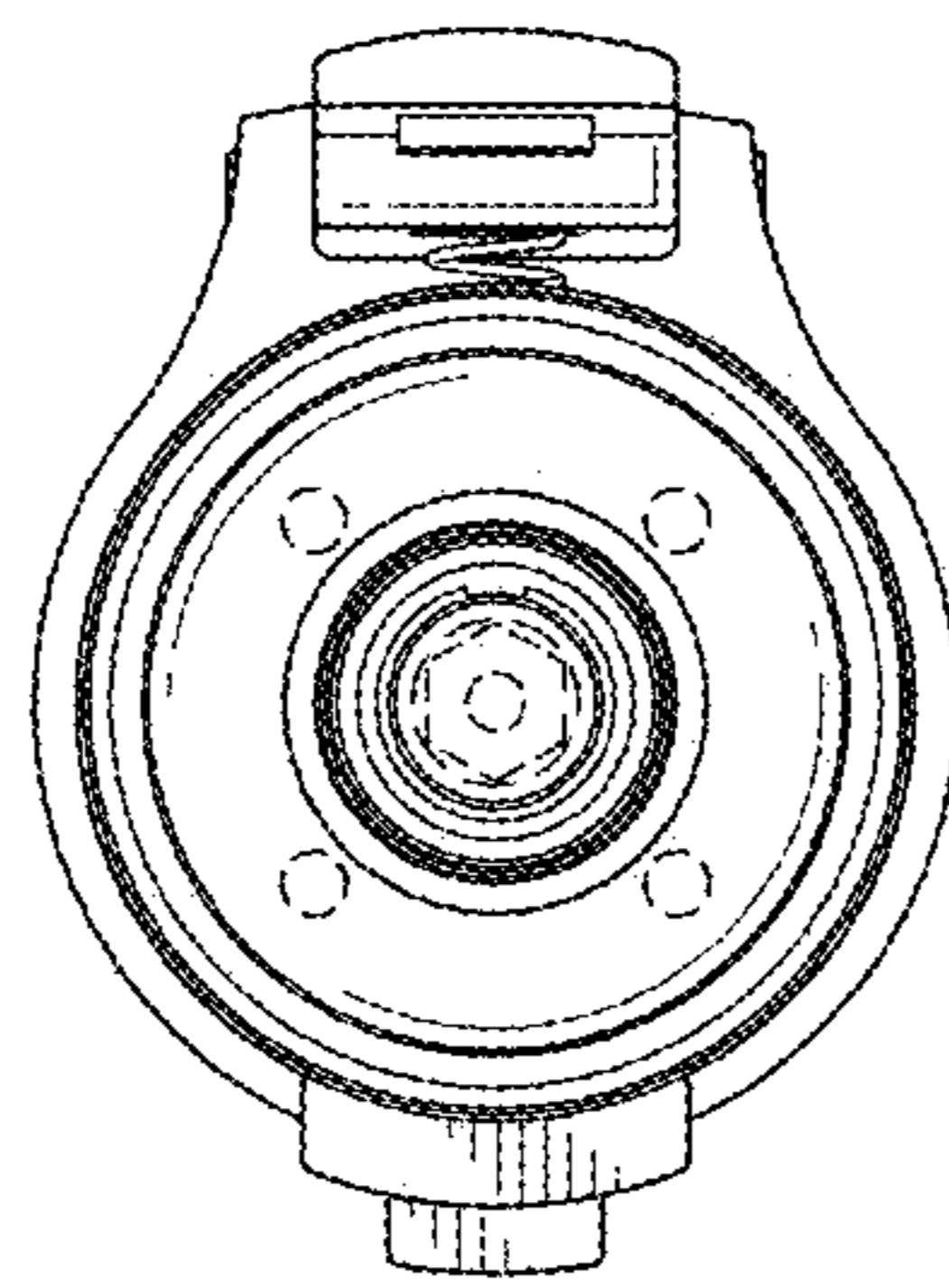


FIG. 2

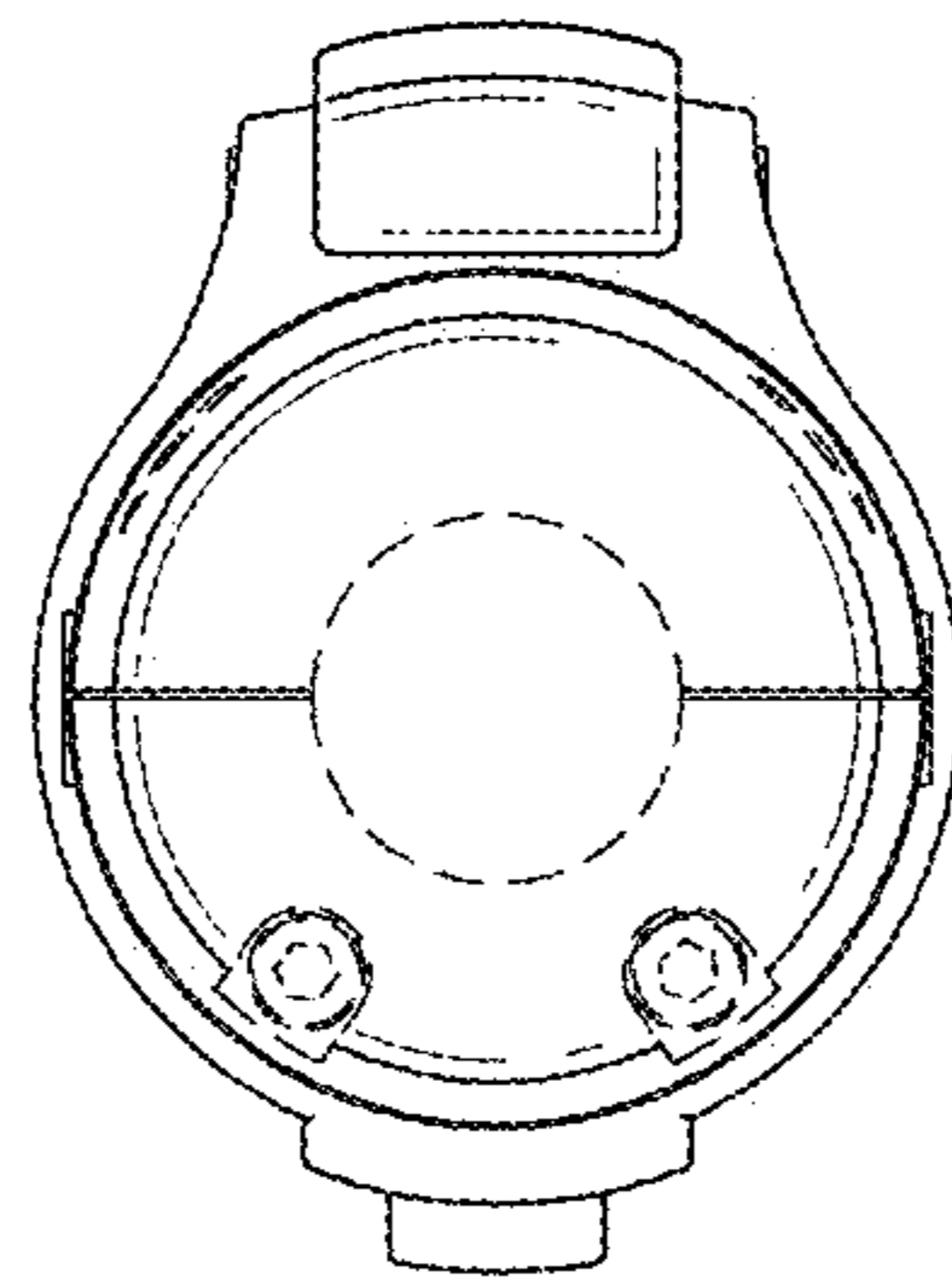


FIG. 3

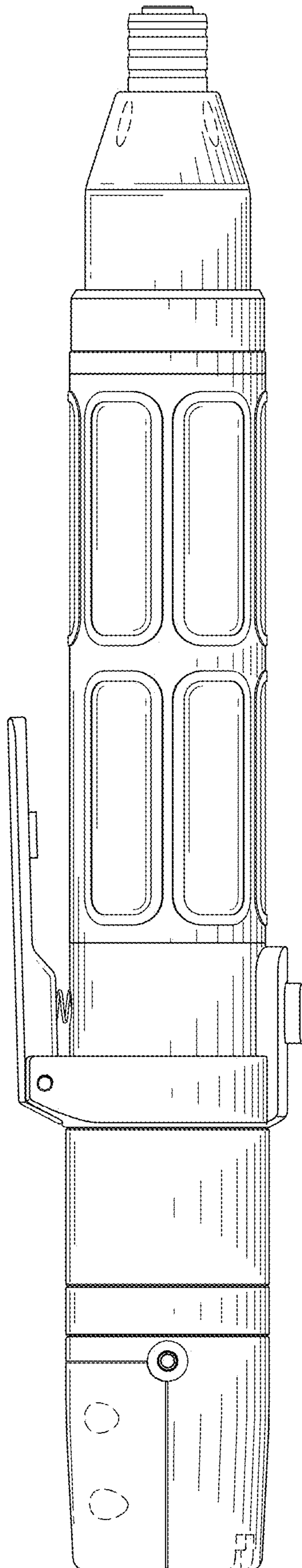


FIG. 4

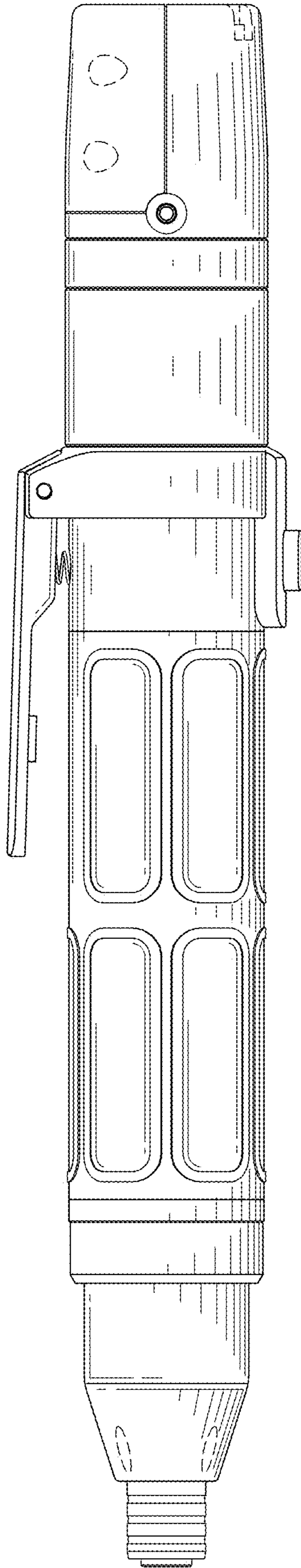


FIG. 5

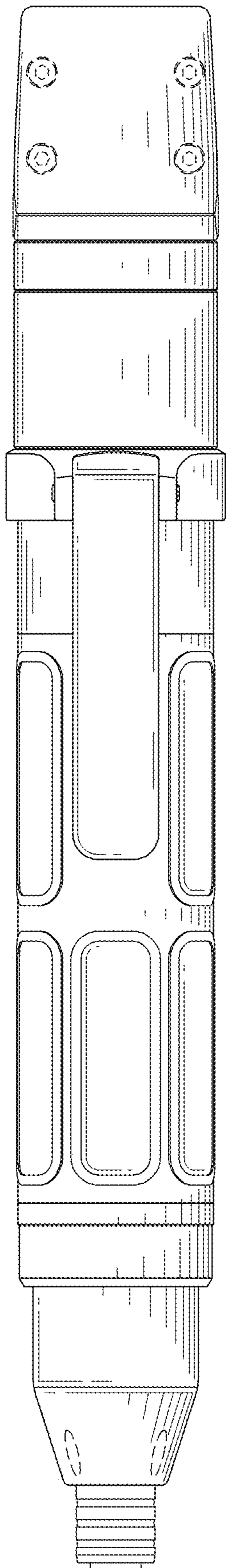


FIG. 6

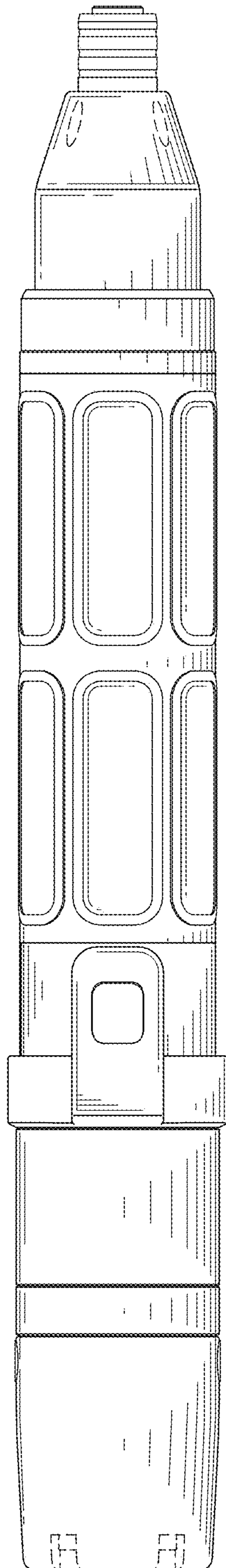


FIG. 7