



US00D913065S

(12) **United States Design Patent**  
**Chan et al.**

(10) **Patent No.:** **US D913,065 S**  
(45) **Date of Patent:** **\*\* Mar. 16, 2021**

(54) **ELECTRIC STAPLER**

(71) Applicant: **Eagle (Shaoguan) Stationery Technology Limited**, Guangdong (CN)

(72) Inventors: **Siu Leung Chan**, Guangdong (CN);  
**Huixiong Xiong**, Guangdong (CN);  
**Lan Tu**, Guangdong (CN)

(73) Assignee: **EAGLE (SHAOGUAN) STATIONERY TECHNOLOGY LIMITED**, Guangdong (CN)

(\*\*) Term: **15 Years**

(21) Appl. No.: **29/690,944**

(22) Filed: **May 13, 2019**

(30) **Foreign Application Priority Data**

Jan. 28, 2019 (CN) ..... 201930046669.8

(51) **LOC (13) Cl.** ..... **19-02**

(52) **U.S. Cl.**  
USPC ..... **D8/50; D8/49**

(58) **Field of Classification Search**  
USPC ..... D8/49, 50, 61, 68, 69; D19/72, 73, 65,  
D19/69; D21/532; D24/145; 7/158,  
7/160; 227/4, 5, 6, 7, 8, 120, 127, 128,  
227/131, 132, 134, 144, 156, 175.1;  
606/139, 143, 153, 219  
CPC ..... B25C 5/0228; B25C 5/15  
See application file for complete search history.

(56) **References Cited**

**U.S. PATENT DOCUMENTS**

D441,796 S \* 5/2001 Chan ..... D19/73  
D512,290 S \* 12/2005 Adams ..... D19/72

D512,461 S \* 12/2005 Tsuruha ..... D19/73  
D512,616 S \* 12/2005 Harris ..... D19/72  
D512,617 S \* 12/2005 Adams ..... D19/72  
D512,890 S \* 12/2005 Harris ..... D19/72  
D514,410 S \* 2/2006 Adams ..... D8/49  
D515,893 S \* 2/2006 Adams ..... D8/49  
D516,888 S \* 3/2006 Harris ..... D19/72  
D522,825 S \* 6/2006 Adams ..... D8/49  
D535,168 S \* 1/2007 Hattori ..... D8/50  
D581,230 S \* 11/2008 Cunningham ..... D8/49  
2002/0166884 A1 \* 11/2002 Luo ..... B25C 5/0228  
227/131

\* cited by examiner

*Primary Examiner* — Austin Murphy

(74) *Attorney, Agent, or Firm* — Muncy, Geissler, Olds & Lowe, P.C.

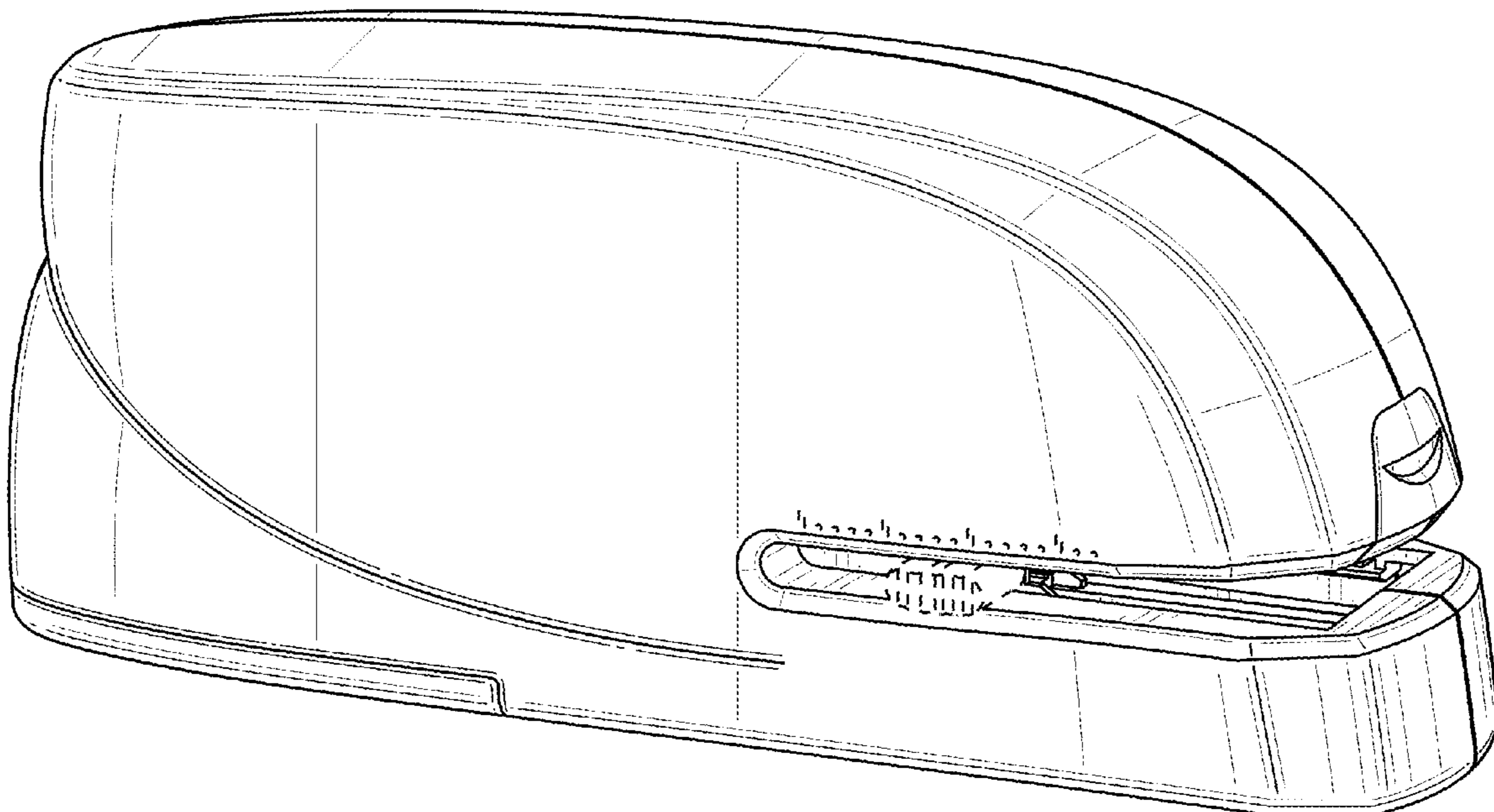
(57) **CLAIM**

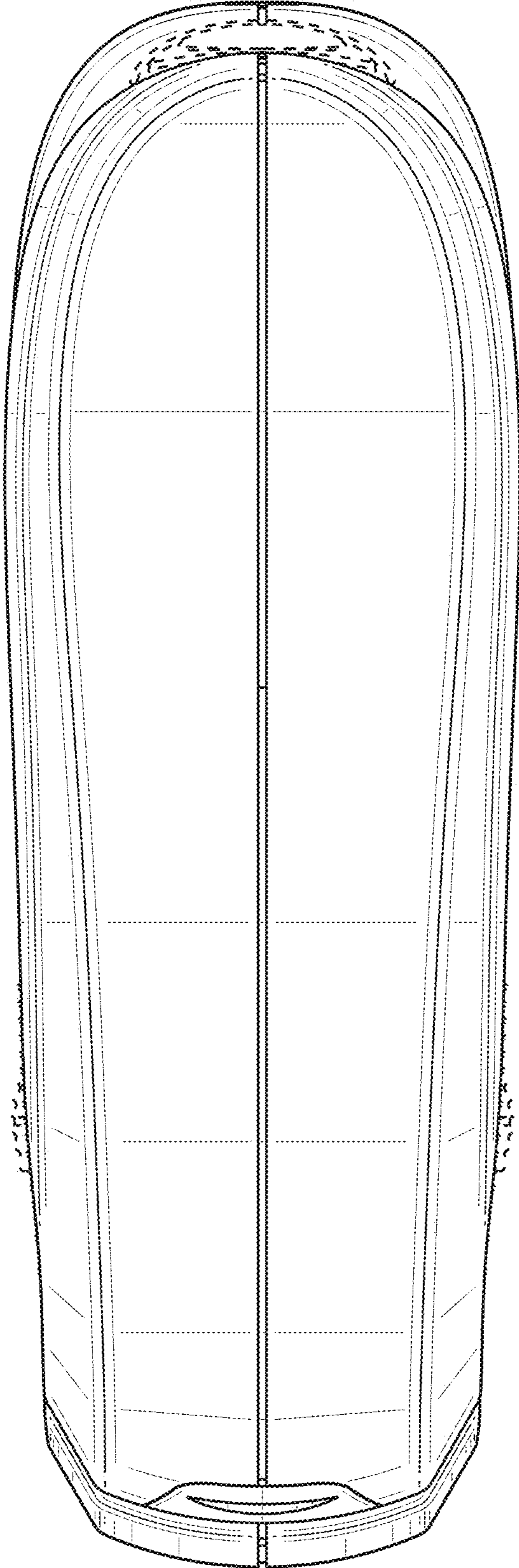
The ornamental design for an electric stapler, as shown and described.

**DESCRIPTION**

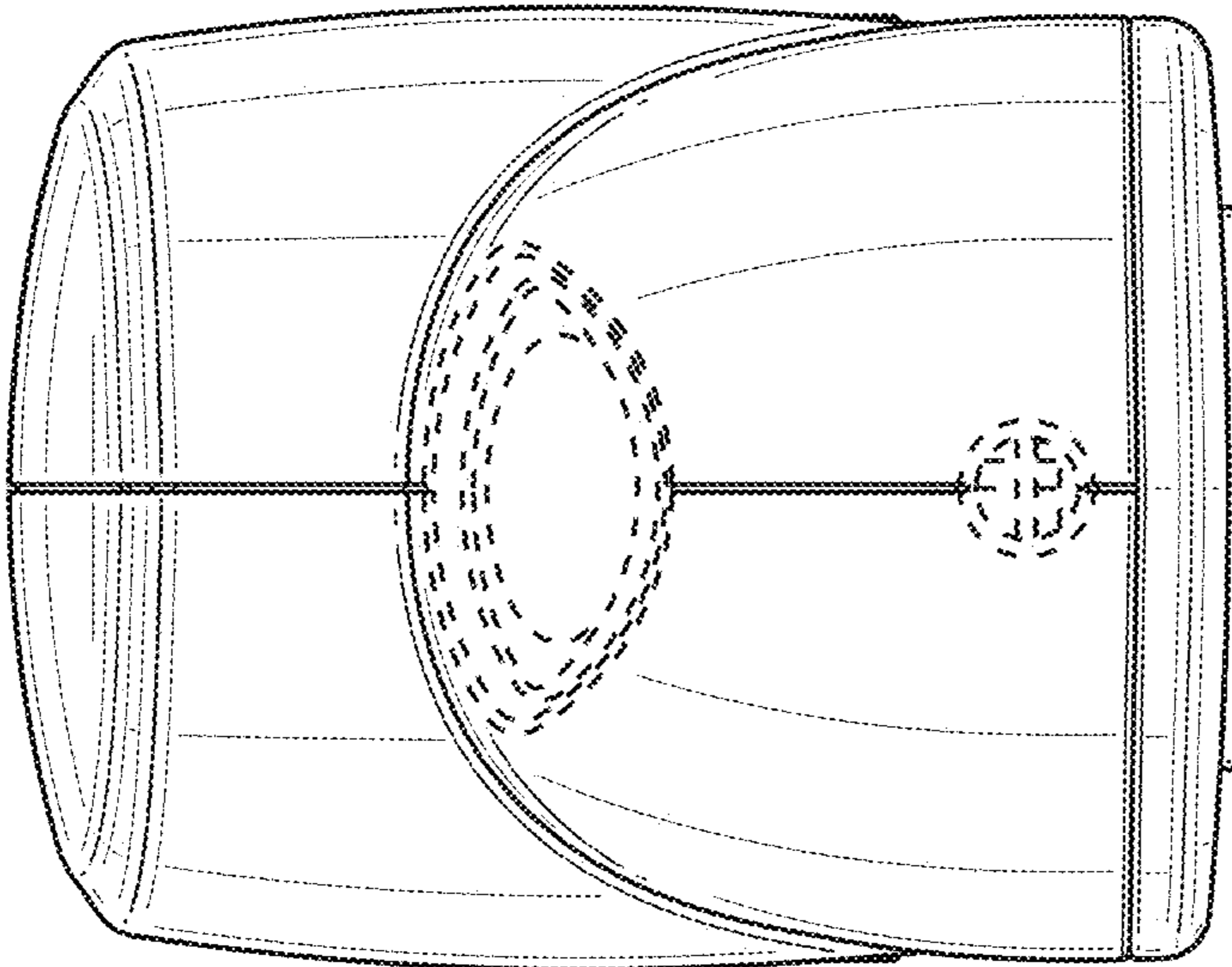
FIG. 1 is a top plan view of an electric stapler showing our new design;  
FIG. 2 is a rear plan view thereof;  
FIG. 3 is a right side perspective view thereof;  
FIG. 4 is a bottom plan view thereof;  
FIG. 5 is a right side plan view thereof;  
FIG. 6 is a front plan view thereof; and,  
FIG. 7 is a left side plan view thereof.  
The broken lines illustrate portions of the electric stapler that form no part of the claimed design.

**1 Claim, 7 Drawing Sheets**

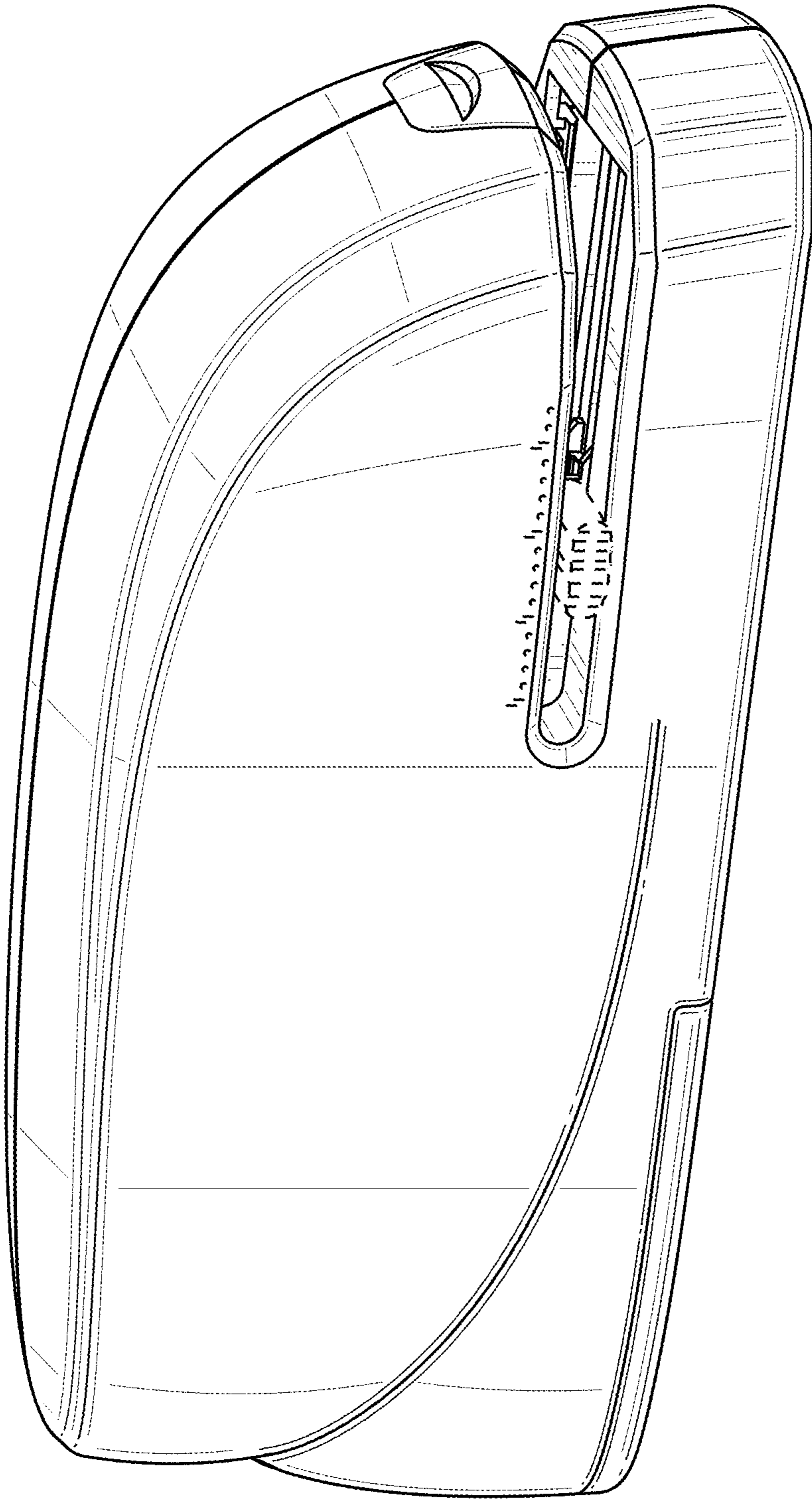




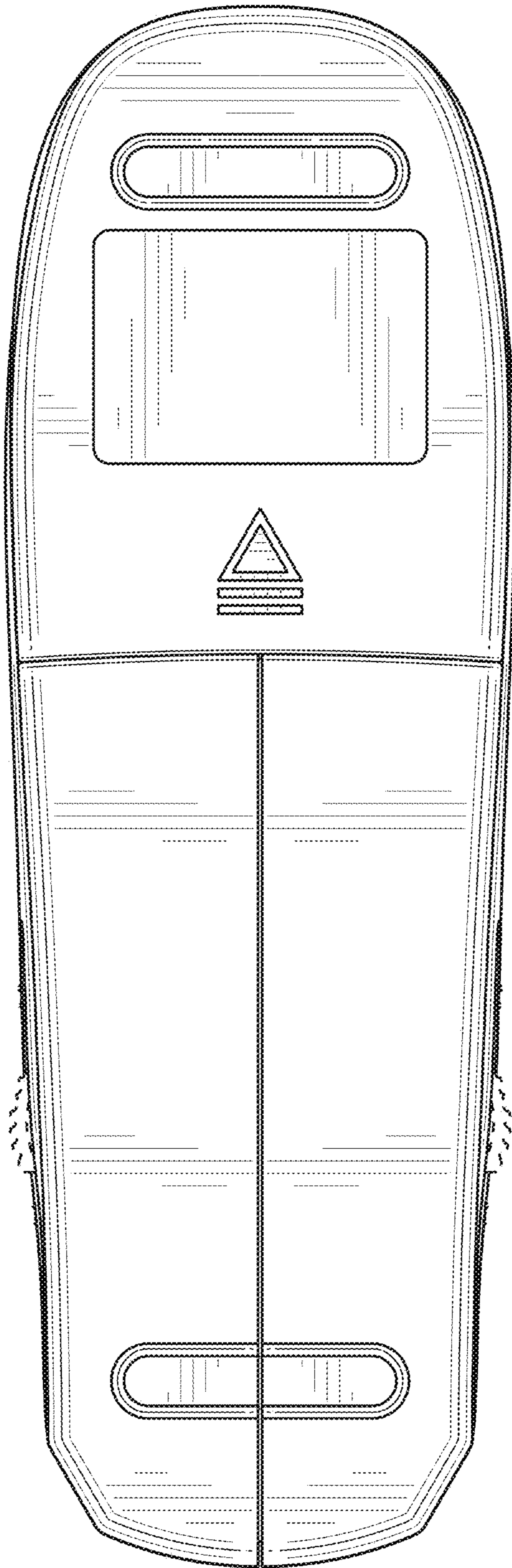
**FIG. 1**



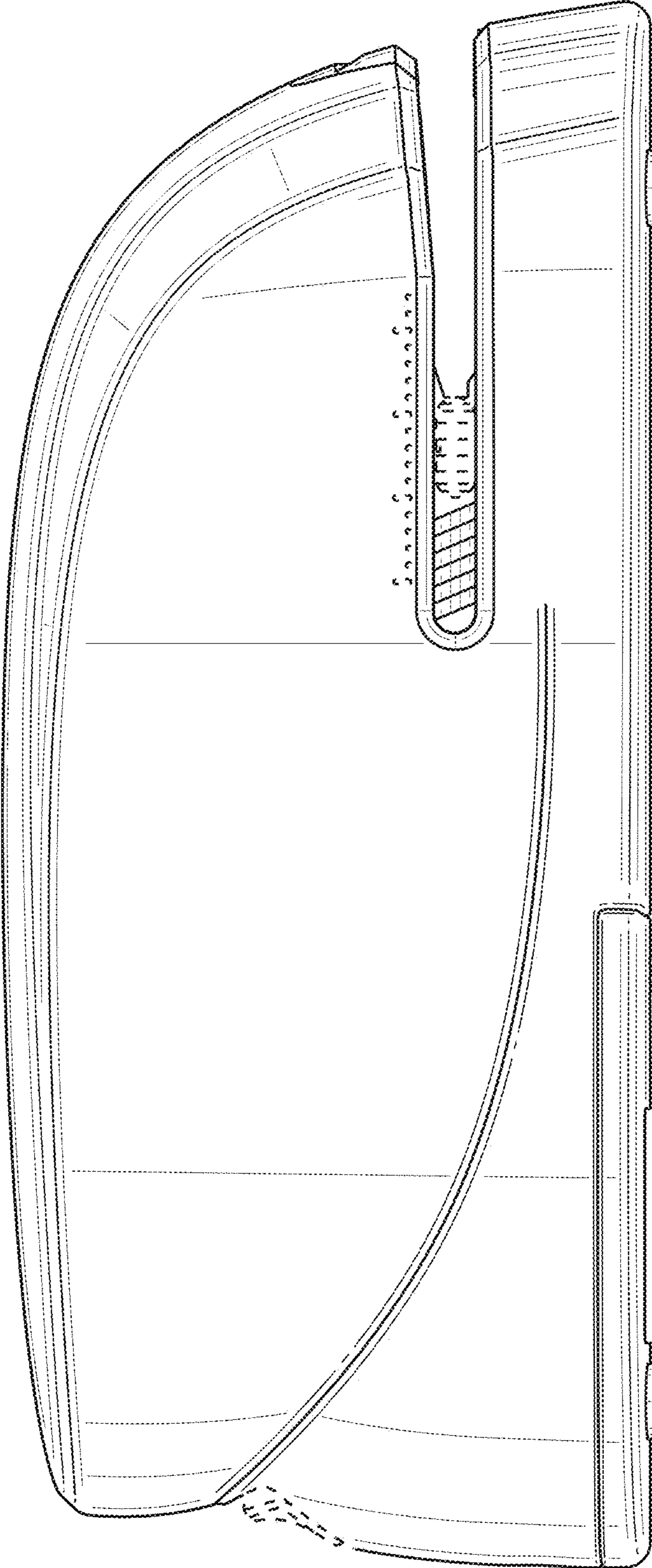
**FIG. 2**



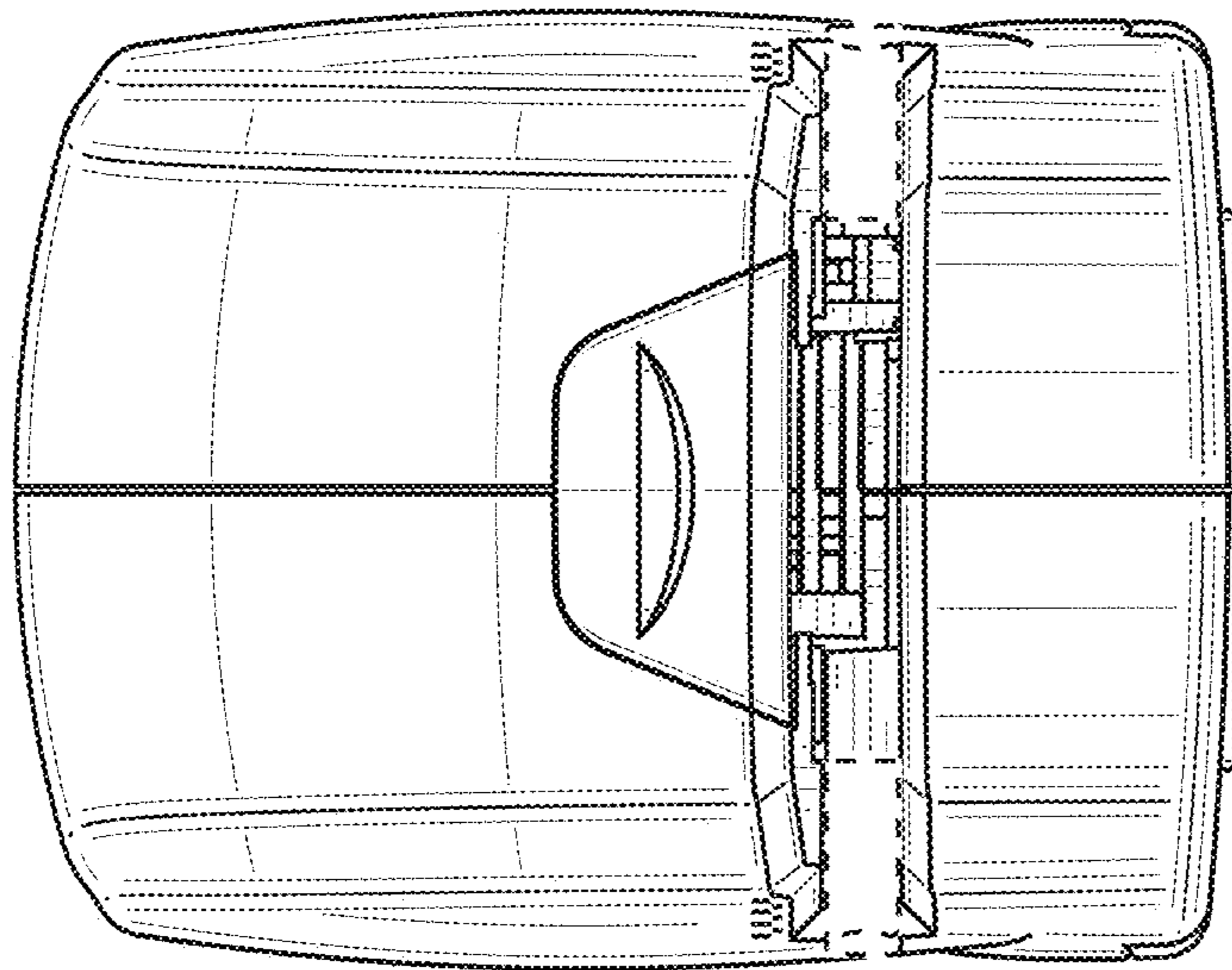
**FIG. 3**



**FIG. 4**



**FIG. 5**



**FIG. 6**

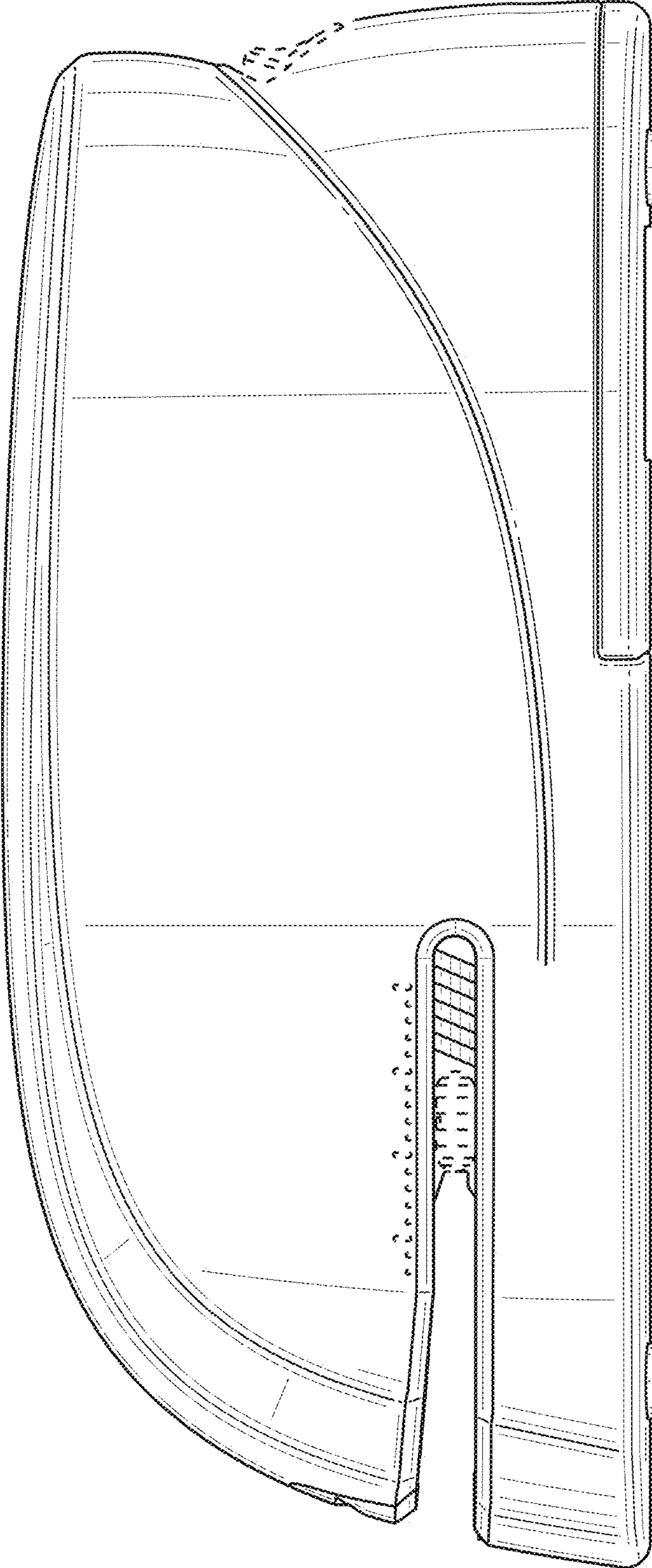


FIG. 7