



US00D913064S

(12) **United States Design Patent** (10) **Patent No.:** **US D913,064 S**
Kachar (45) **Date of Patent:** **** Mar. 16, 2021**

(54) **HEAT GUN**

OTHER PUBLICATIONS

(71) Applicant: **MILWAUKEE ELECTRIC TOOL CORPORATION**, Brookfield, WI (US)

Benjamin. "Review: Milwaukee M18 Cordless Heat Gun." Tool Guyd., Jun. 14, 2018 [online], [retrieved on Oct. 24, 2020]. Retrieved from the Internet <URL: <https://toolguyd.com/review-milwaukee-m18-cordless-heat-gun/>>.*

(72) Inventor: **Amanda M. Kachar**, Milwaukee, WI (US)

(Continued)

(73) Assignee: **Milwaukee Electric Tool Corporation**, Brookfield, WI (US)

Primary Examiner — Darlington Ly

(74) *Attorney, Agent, or Firm* — Michael Best & Friedrich LLP

(**) Term: **15 Years**

(57) **CLAIM**

(21) Appl. No.: **29/670,715**

The ornamental design for a heat gun, as shown and described.

(22) Filed: **Nov. 19, 2018**

DESCRIPTION

Related U.S. Application Data

(62) Division of application No. 29/596,128, filed on Mar. 6, 2017, now Pat. No. Des. 835,961.

(51) **LOC (13) Cl.** **08-05**

(52) **U.S. Cl.**
USPC **D8/29.1; D8/68**

(58) **Field of Classification Search**
USPC D8/29.1, 29.2, 30, 61, 67, 68; D28/13
(Continued)

(56) **References Cited**

U.S. PATENT DOCUMENTS

D259,234 S * 5/1981 Pfeil 392/385
D274,551 S * 7/1984 Benjamin D28/13
(Continued)

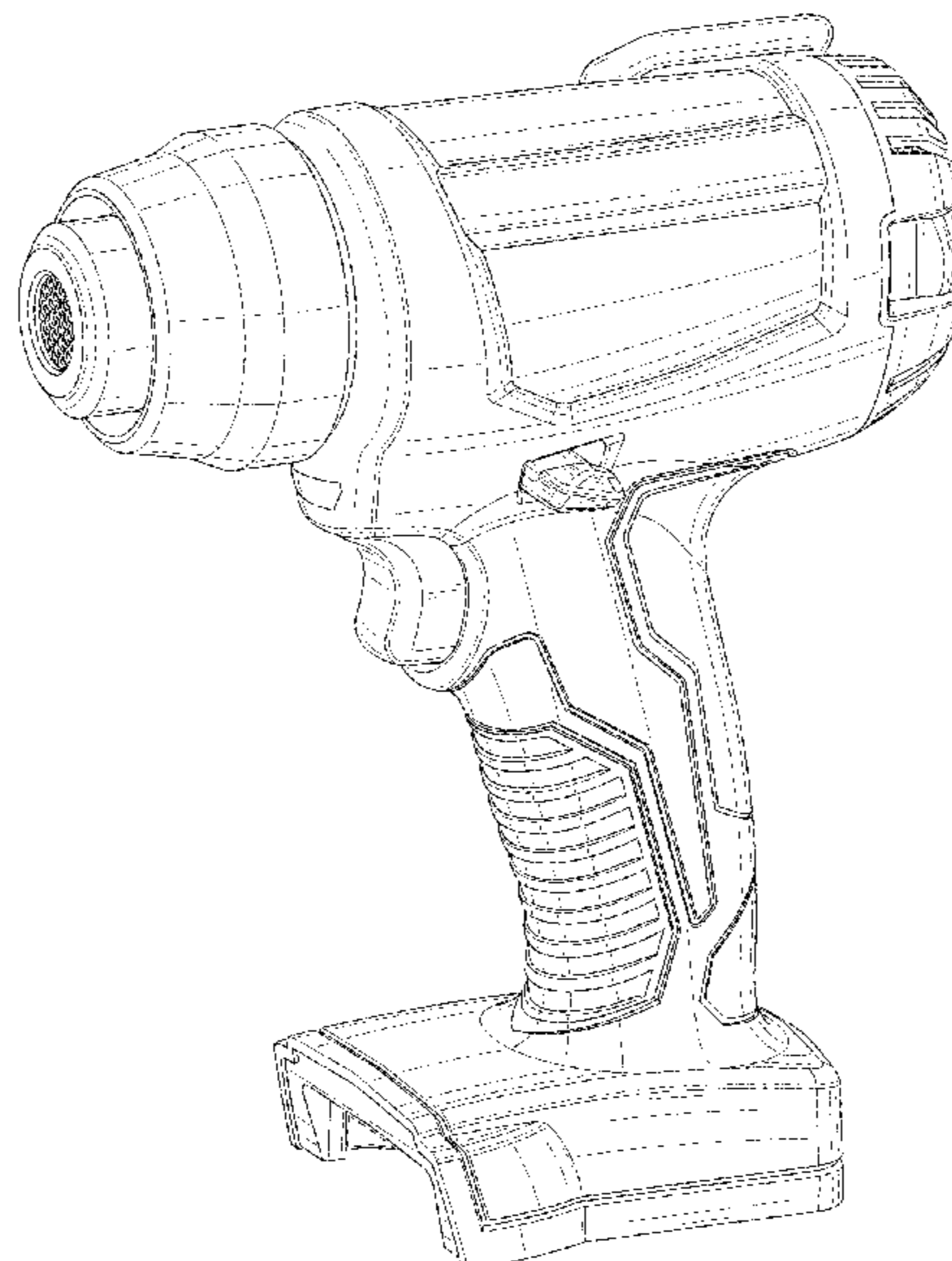
FOREIGN PATENT DOCUMENTS

JP 1330497 5/2008
TW D121209 2/2008
TW D125713 11/2008

FIG. 1 is a front perspective view of a heat gun showing my new design in accordance with a first embodiment;
FIG. 2 is a rear perspective thereof;
FIG. 3 is a front elevation view thereof;
FIG. 4 is a rear elevation view thereof;
FIG. 5 is a right side elevation view thereof;
FIG. 6 is a left side elevation view thereof;
FIG. 7 is a top plan view thereof; and
FIG. 8 is a bottom plan view thereof.
FIG. 9 is a front perspective view of a heat gun showing my new design in accordance with a second embodiment;
FIG. 10 is a rear perspective thereof;
FIG. 11 is a front elevation view thereof;
FIG. 12 is a rear elevation view thereof;
FIG. 13 is a right side elevation view thereof;
FIG. 14 is a left side elevation view thereof;
FIG. 15 is a top plan view thereof; and
FIG. 16 is a bottom plan view thereof.

The broken lines in the drawings illustrate a boundary defining portions of the heat gun that form no part of the claimed design. The broken lines form no part of the claimed design.

1 Claim, 16 Drawing Sheets



(58) **Field of Classification Search**

CPC B62D 23/005; B62D 29/00; B62D 29/043;
 B62D 31/00; B62D 33/046; B62D 35/00;
 B62D 35/001; B60Q 1/0005; A45D
 20/08; A45D 20/10; F24H 3/00; F24H
 3/0423; F24H 9/2071; F16M 13/00

See application file for complete search history.

D871,871 S * 1/2020 Yang D8/29.1
 2008/0181590 A1* 7/2008 Radwill F24H 9/2071
 392/385
 2010/0065545 A1* 3/2010 Chung F24H 3/0423
 219/227

OTHER PUBLICATIONS

Benjaimin. "New Dewalt Cordless Heat Gun." Tool Guyd., May 2, 2019 [online], [retrieved on Oct. 24, 2020]. Retrieved from the Internet <URL: <https://toolguyd.com/new-dewalt-20v-cordless-heat-gun/>>.*

Perry Danner. "Milwaukee M18 Heat Gun 2688-21 Review." Pro Tools Review., Jul. 2, 2019 [online], [retrieved on Oct. 24, 2020]. Retrieved from the Internet <URL: <https://www.protoolreviews.com/tools/power/cordless/milwaukee-m18-heat-gun-2688-21-review/46564/>>.*

Steinel Professionals, "BHG 360 Li-Ion;" <<http://www.steinelfprofessional.defen/Hot-air-Gluing/Hot-air-tools/BH-G-360-Li-Ion.html>> website accessed Feb. 28, 2017.

Makita, "HG551V Heat Gun," <<https://www.makitatools.com/products/details/HG551V>> website accessed Feb. 28, 2017.

Milwaukee Electric Tool, "Dual Temperature Heat Gun," <<https://www.milwaukeetool.com/power-tools/corded/8975-6>> website accessed Feb. 28, 2017.

DeWalt, "D26950 Heat Gun," <<http://www.dewalt.com/products/power-tools/specialty-and-other-tools/-heat-gun/d26950>> website accessed Feb. 28, 2017.

Wagner, "HT1000 Heat Gun," <<https://www.wagnerspraytech.com/products/surface-prep/heat-guns/ht100-0-heat-gun/>> website accessed Feb. 28, 2017.

Porter Cable, "1500 Watt Heat Gun," <<http://www.portercable.com/Products/ProductDetail.aspx?ProductID=2426-5>> website accessed Feb. 28, 2017.

Master, "Ecoheat Heat Gun & Kit," <<https://www.masterappliance.com/heat-tool-products/heat-guns/econoiron-heat-gun>> website accessed Feb. 28, 2017.

Master, "Proheat 1100 Dualtemp Heat Gun & Kit," <<https://www.masterappliance.com/heat-tool-products/heat-guns/proheat-heat-guns/proheat-heat-gun>> website accessed Feb. 28, 2017.

Grainger, "Westward Electric Heat Gun," <<https://www.grainger.com/product/WESTWARD-Heat-Gun-4HWK1>> website accessed Feb. 28, 2017.

* cited by examiner

(56) **References Cited**

U.S. PATENT DOCUMENTS

4,629,864 A * 12/1986 Wilson F24H 3/0423
 34/99
 4,683,370 A * 7/1987 Petersen F24H 3/0423
 34/667
 D293,020 S 12/1987 Steinel et al.
 D297,397 S * 8/1988 Pagani D8/29.1
 D297,398 S * 8/1988 Pagani D8/29.1
 D334,876 S * 4/1993 Swetish D8/29.1
 D388,297 S * 12/1997 Buttenbender D8/29.1
 D388,298 S 12/1997 Jerdee et al.
 D457,407 S 5/2002 Pretzell
 D481,277 S * 10/2003 Waldron D8/29.1
 D484,385 S 12/2003 Sakai et al.
 6,873,791 B2 * 3/2005 Cheng F24H 9/06
 219/242
 D516,883 S * 3/2006 Popov D8/29.1
 D572,097 S * 7/2008 Yung-Kuan D28/13
 D615,834 S * 5/2010 Netzler D8/29.1
 D615,835 S * 5/2010 Netzler D8/29.1
 D639,129 S * 6/2011 Van Wambeke D8/29.1
 D641,220 S * 7/2011 Shi D8/29.1
 D664,820 S 8/2012 Furling
 D679,561 S * 4/2013 Price D8/29.1
 8,627,579 B2 * 1/2014 Rotondi F24H 9/0063
 34/104
 D703,020 S 4/2014 Zhu et al.
 D727,706 S 4/2015 Chen
 D740,629 S 10/2015 Furling et al.
 D742,708 S * 11/2015 Howell D8/29.1
 D746,653 S 1/2016 Furling et al.
 D803,649 S * 11/2017 van der Rest D8/68
 D829,519 S * 10/2018 Teraoka D8/29.1
 D846,963 S * 4/2019 van der Rest D8/68



FIG. 1

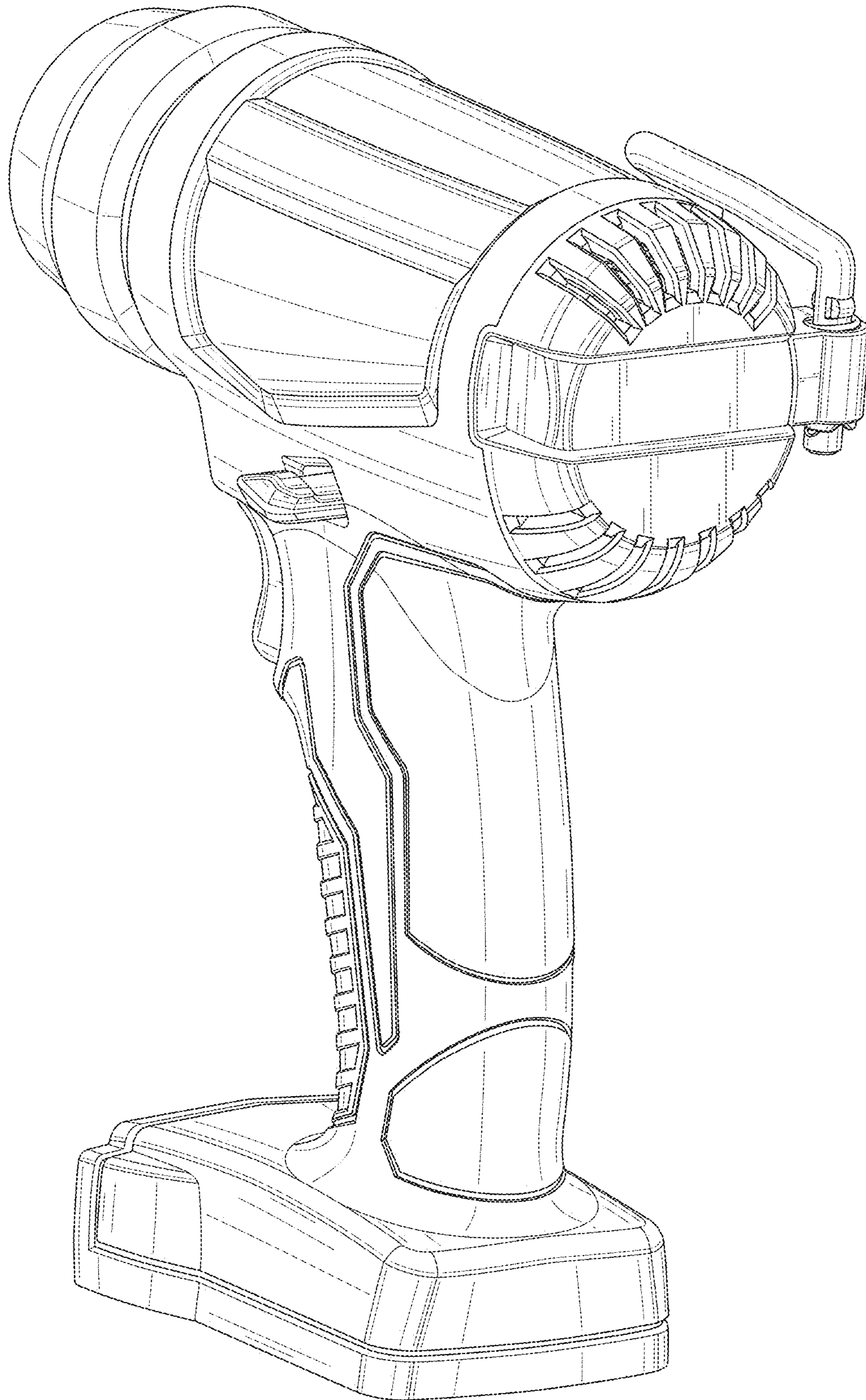


FIG. 2

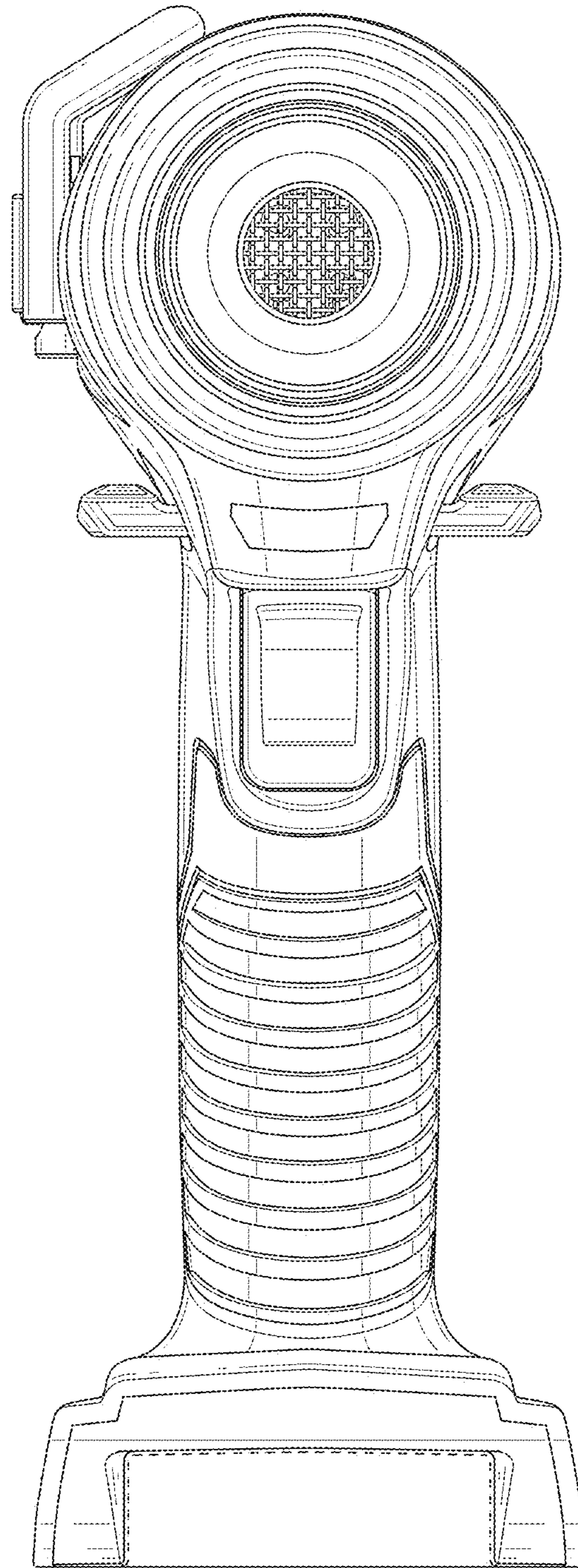


FIG. 3

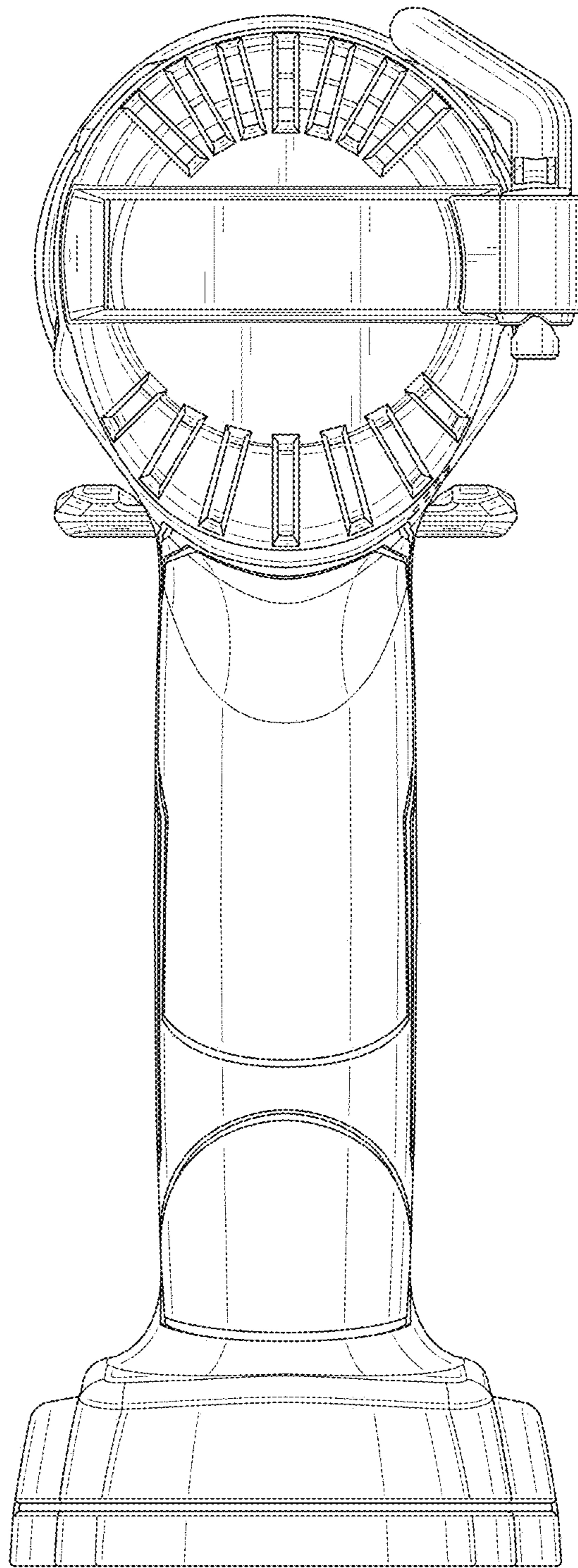


FIG. 4

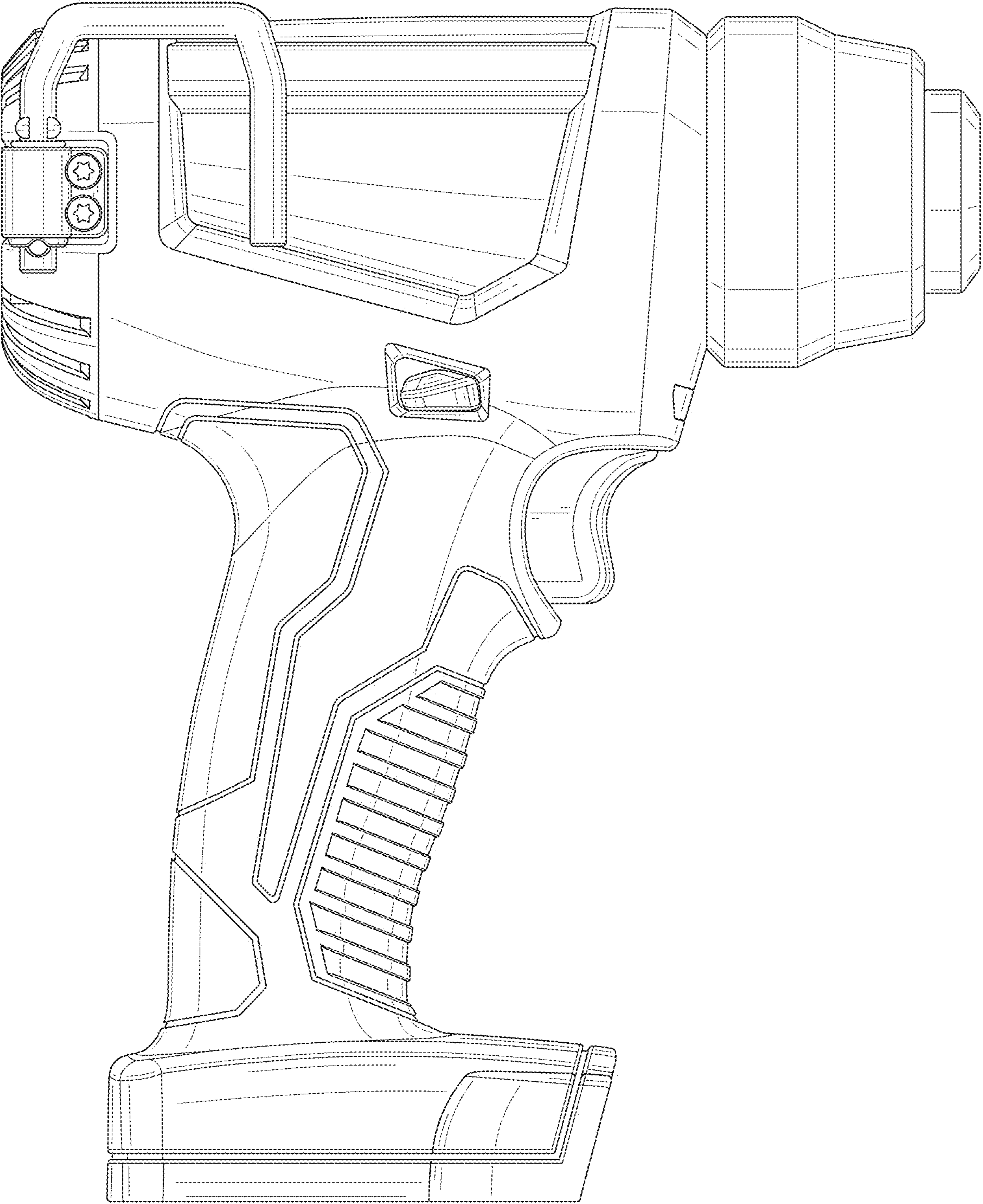


FIG. 5

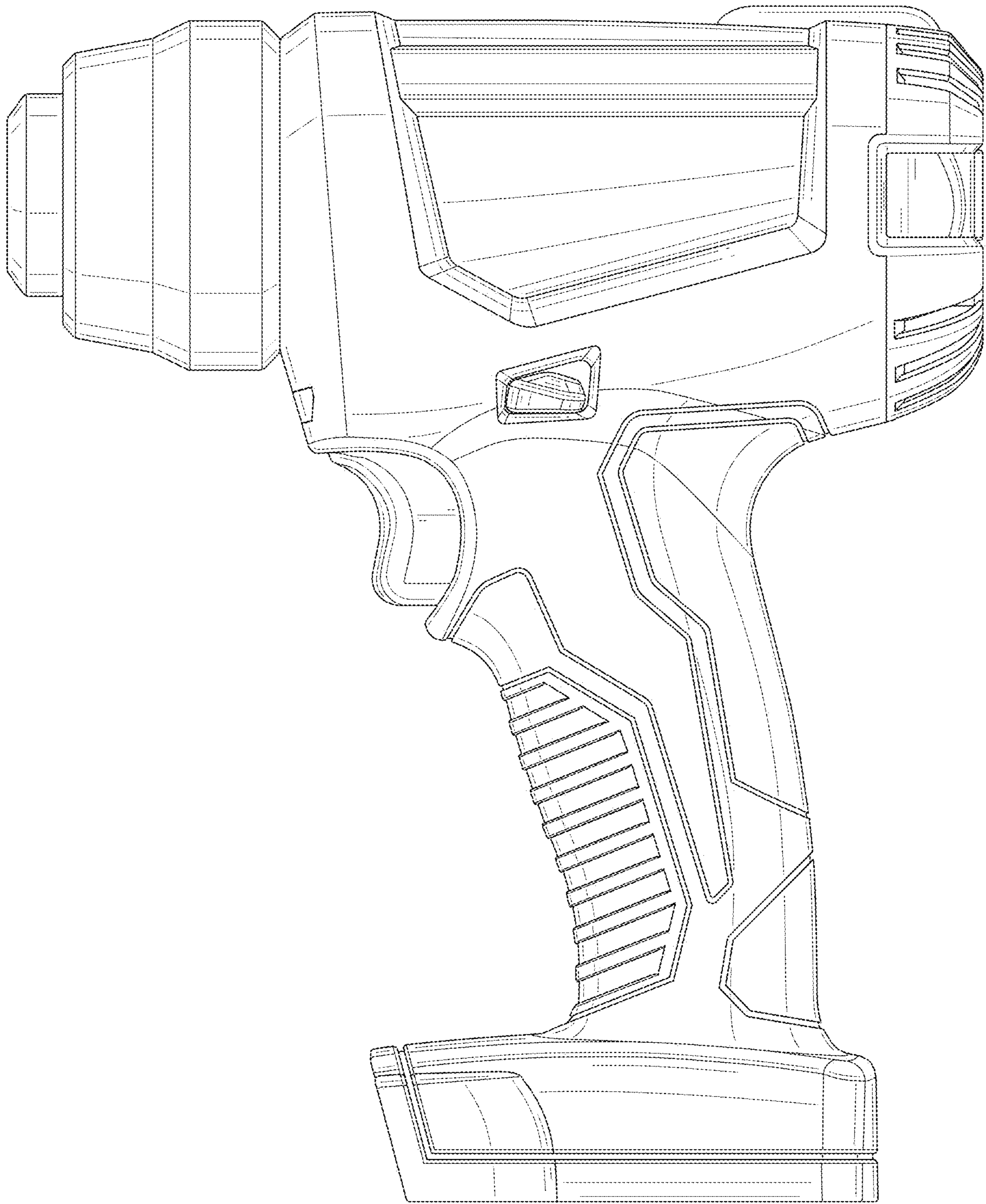


FIG. 6

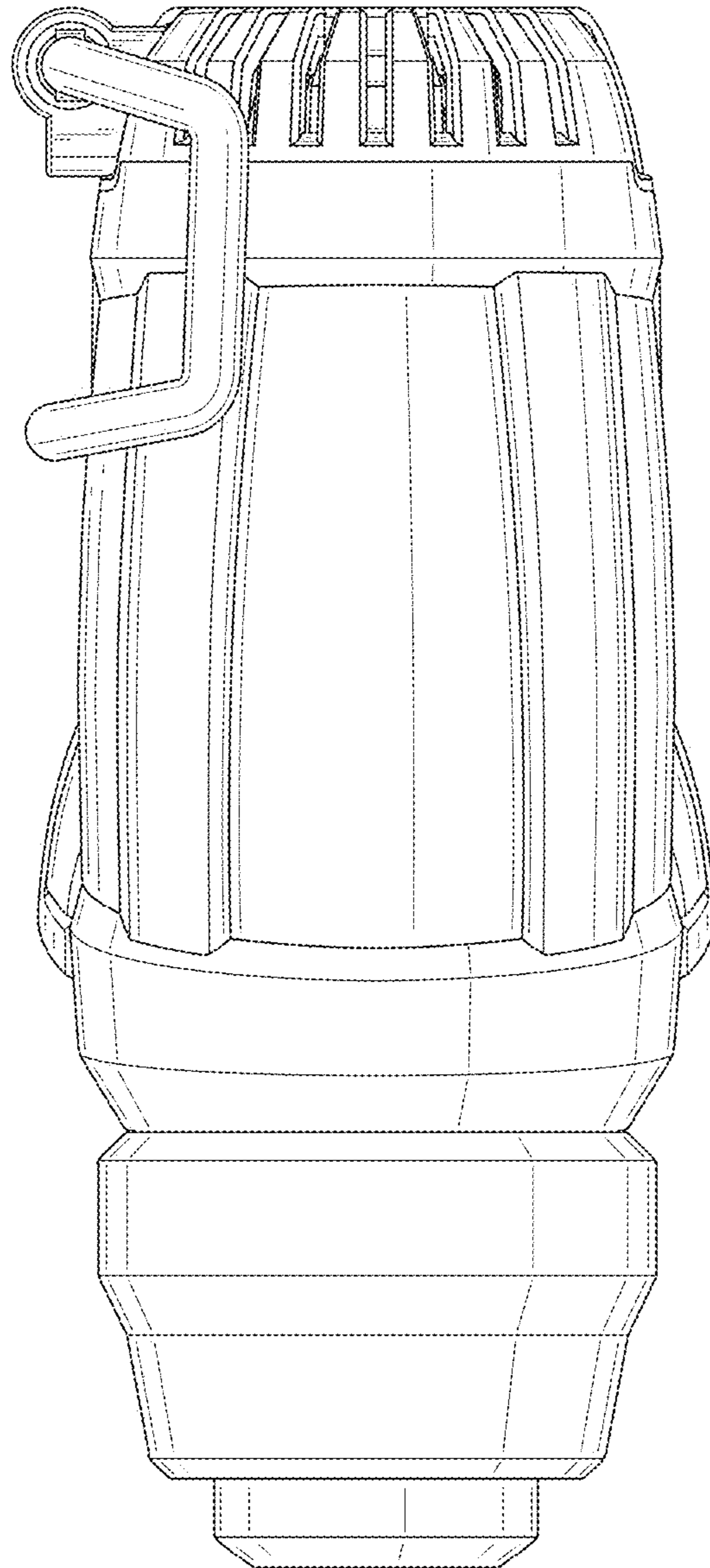


FIG. 7

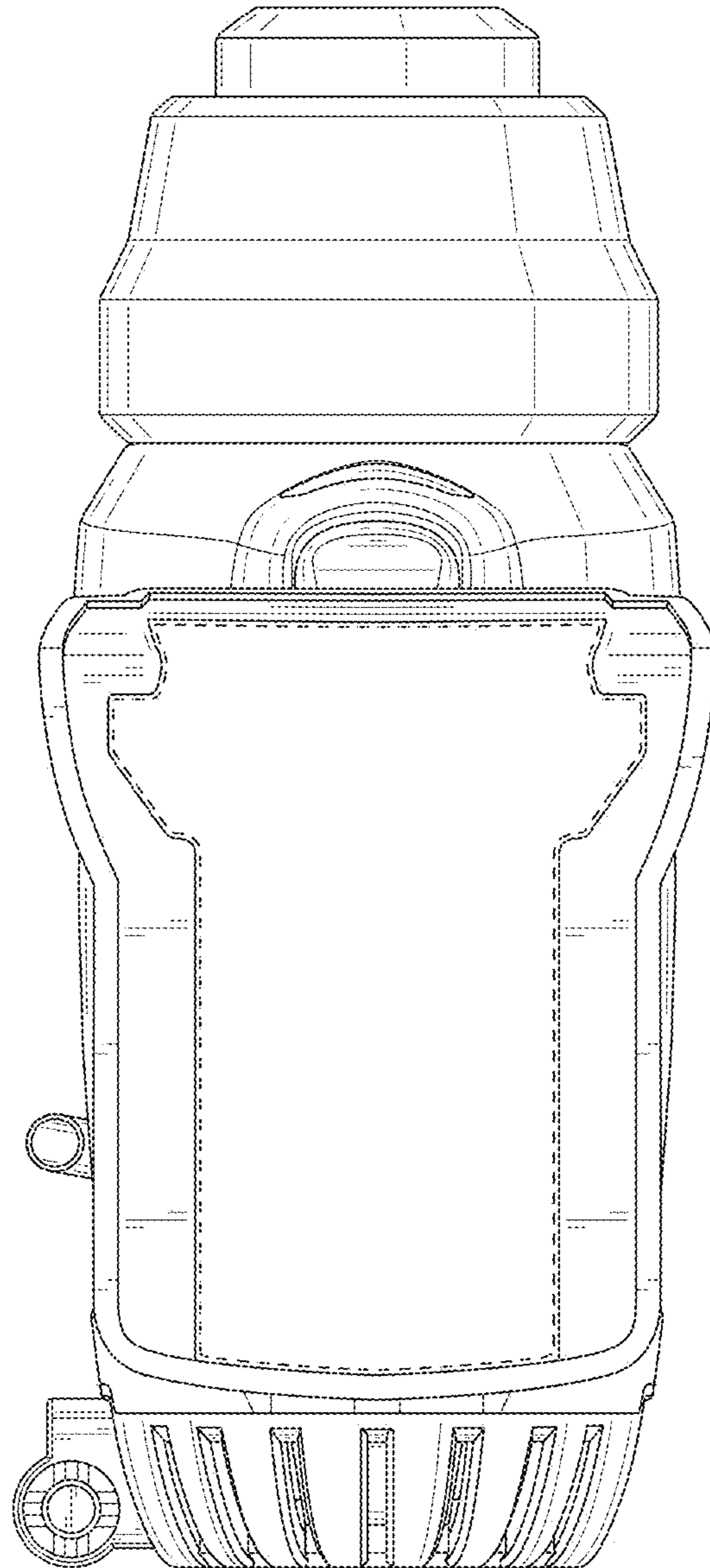


FIG. 8

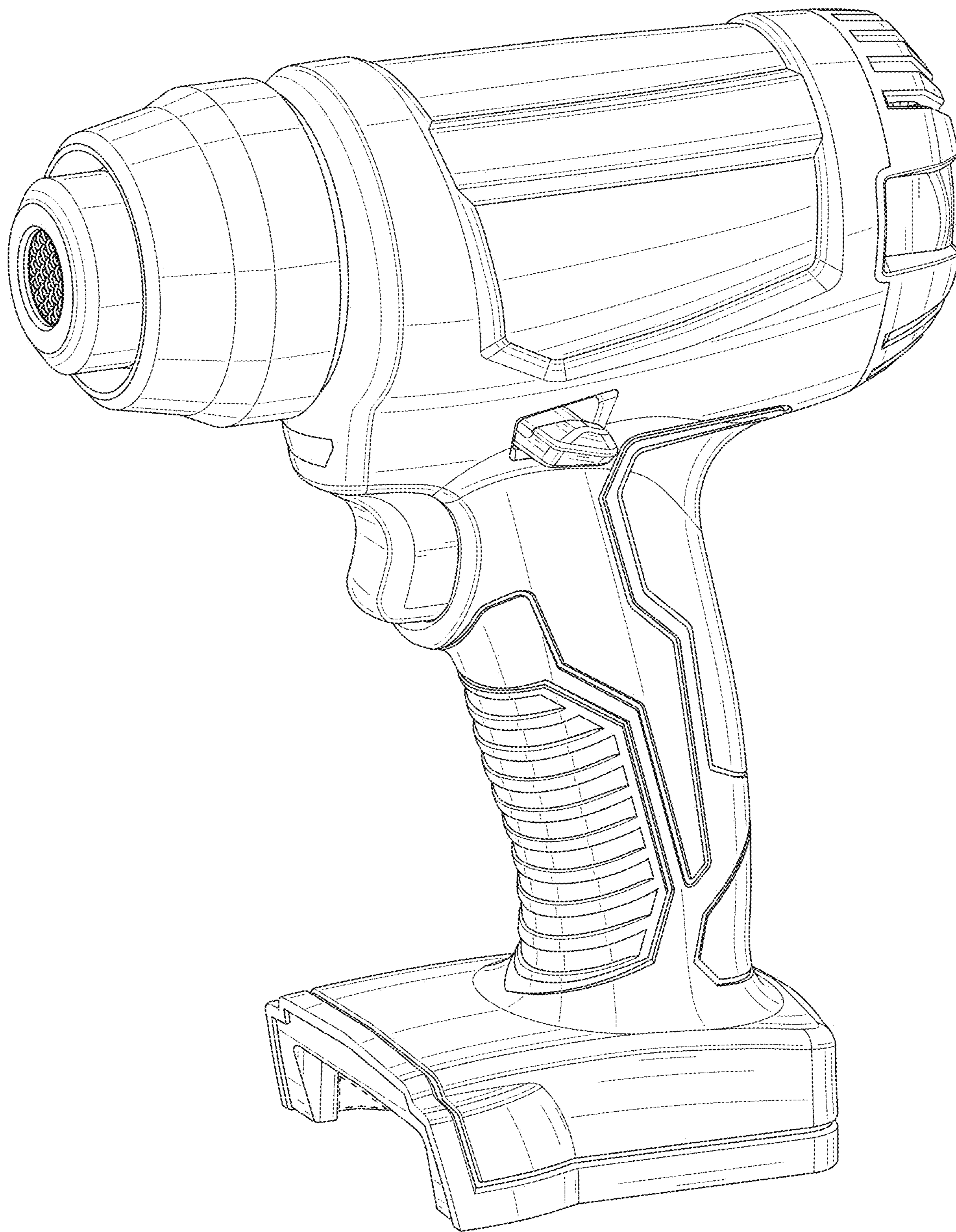


FIG. 9

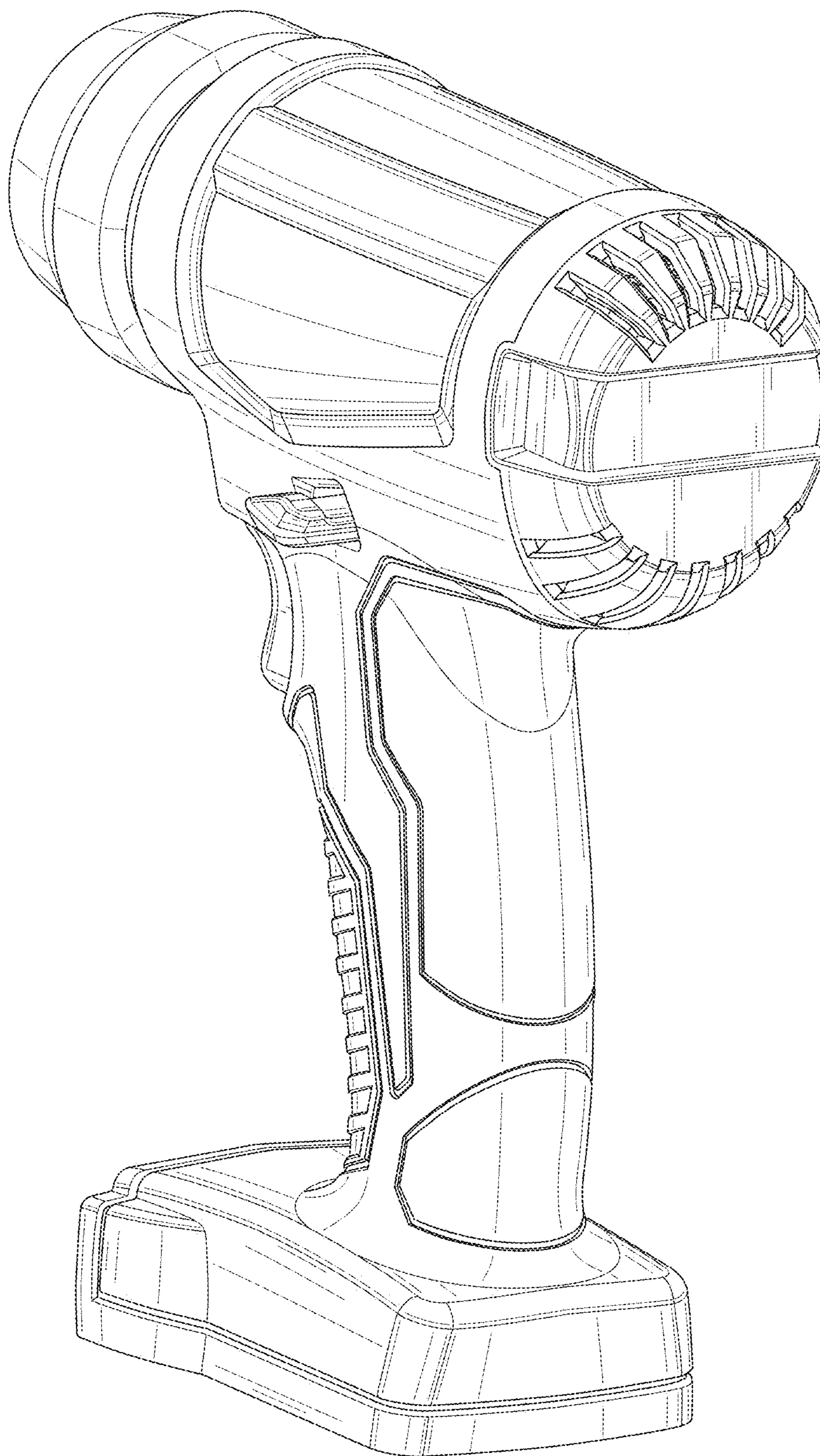


FIG. 10

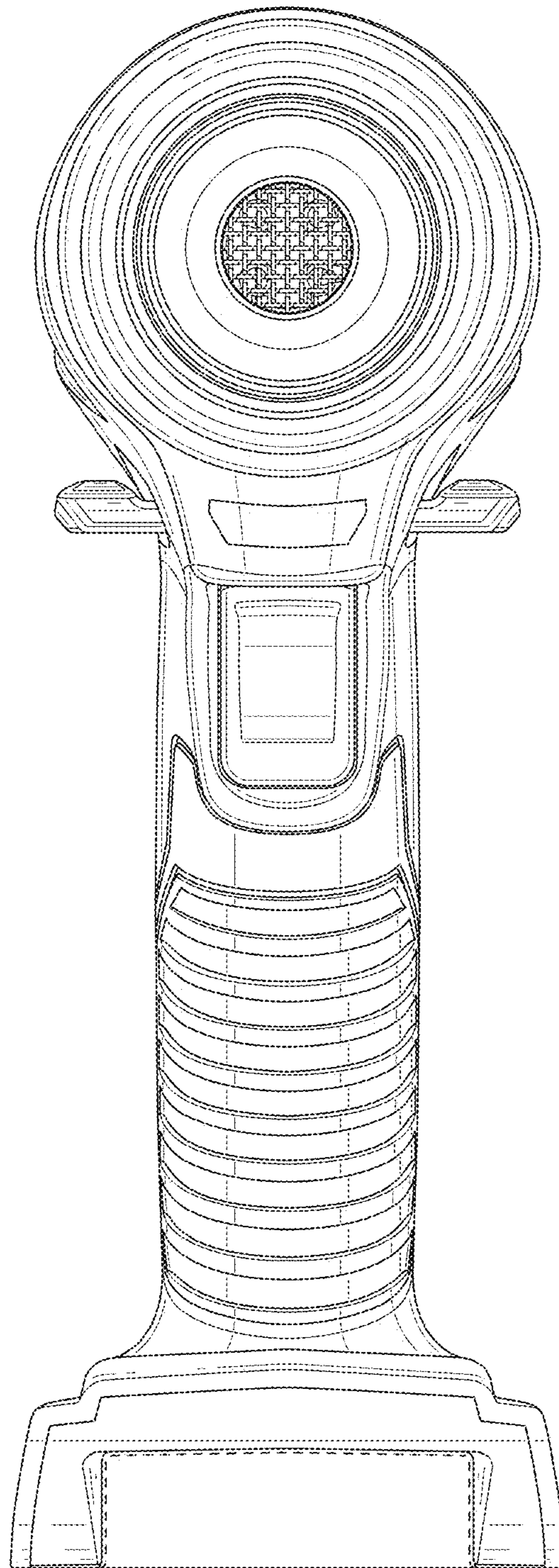


FIG. 11

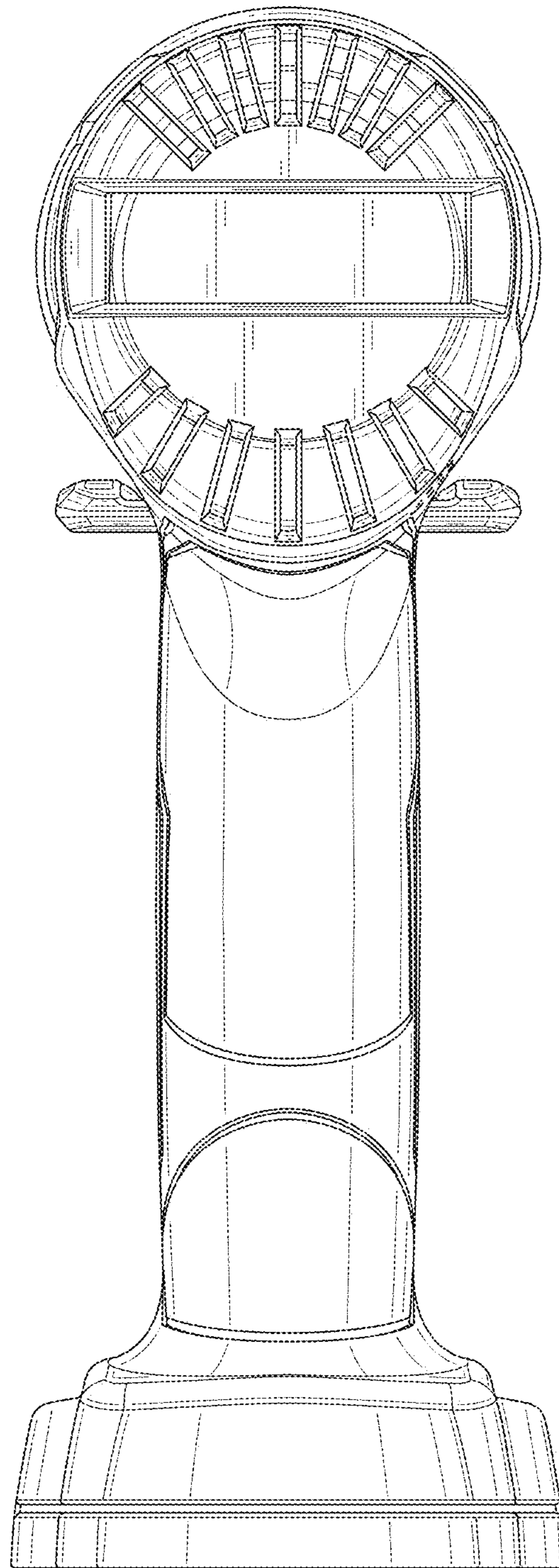


FIG. 12

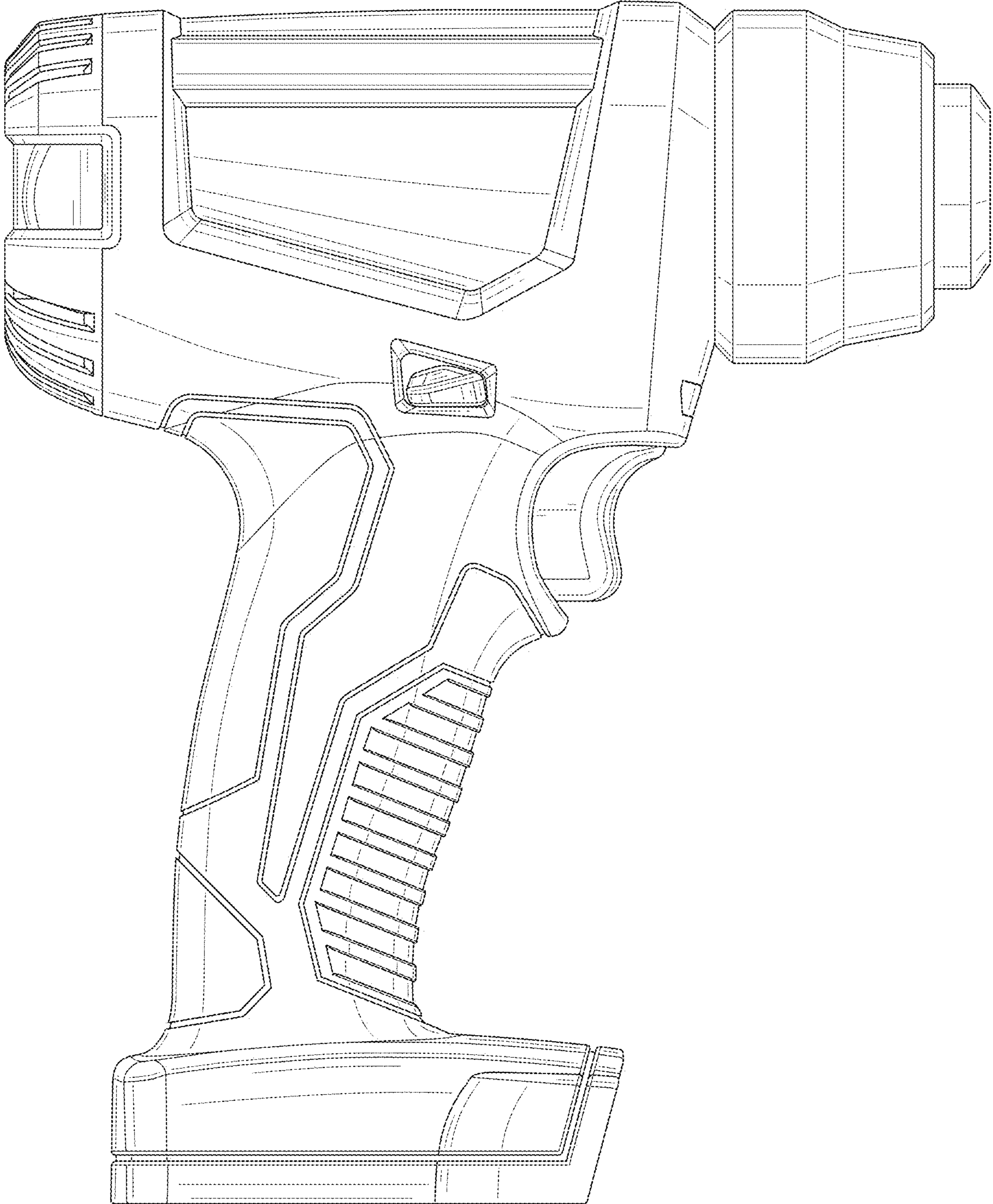


FIG. 13

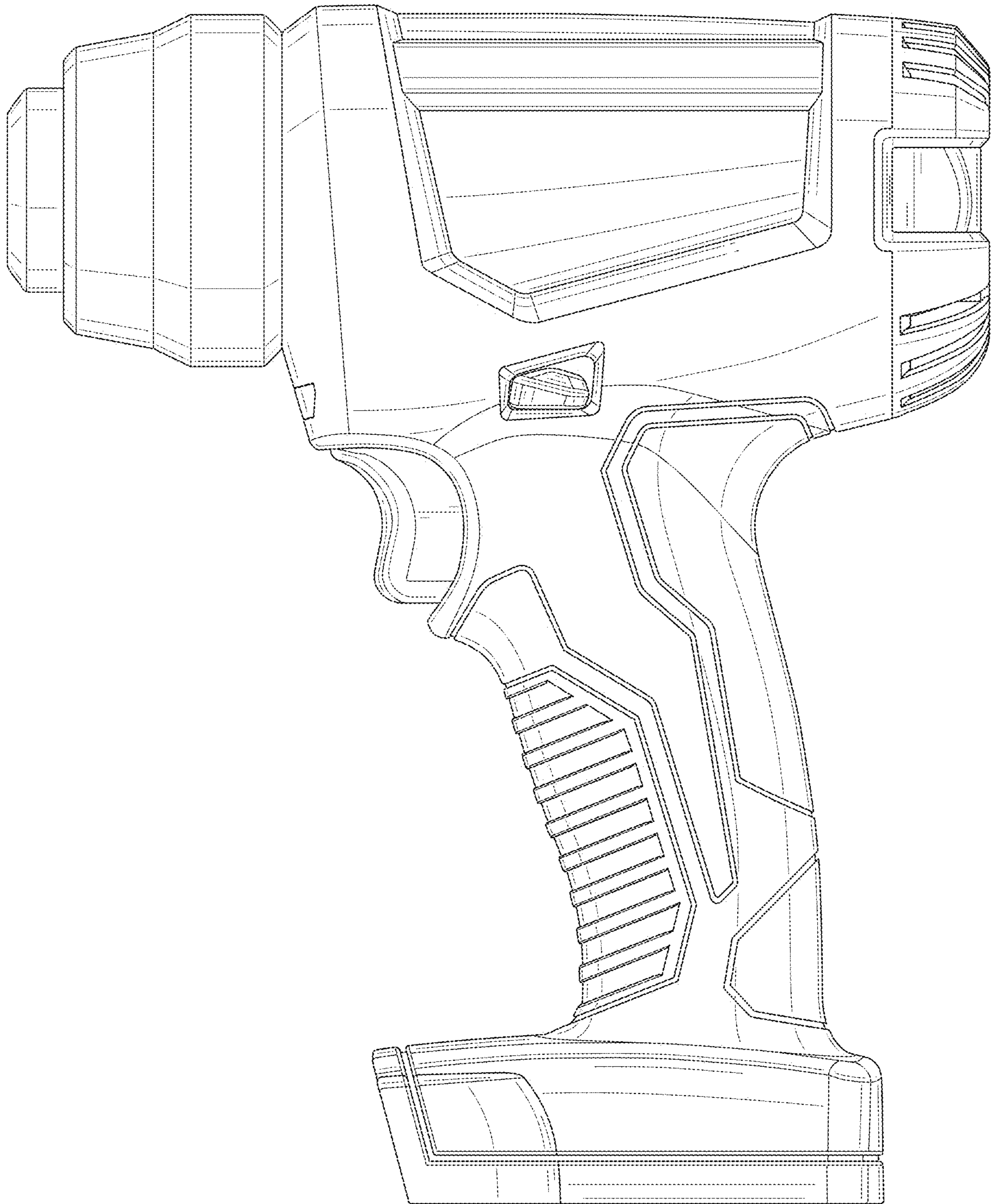


FIG. 14

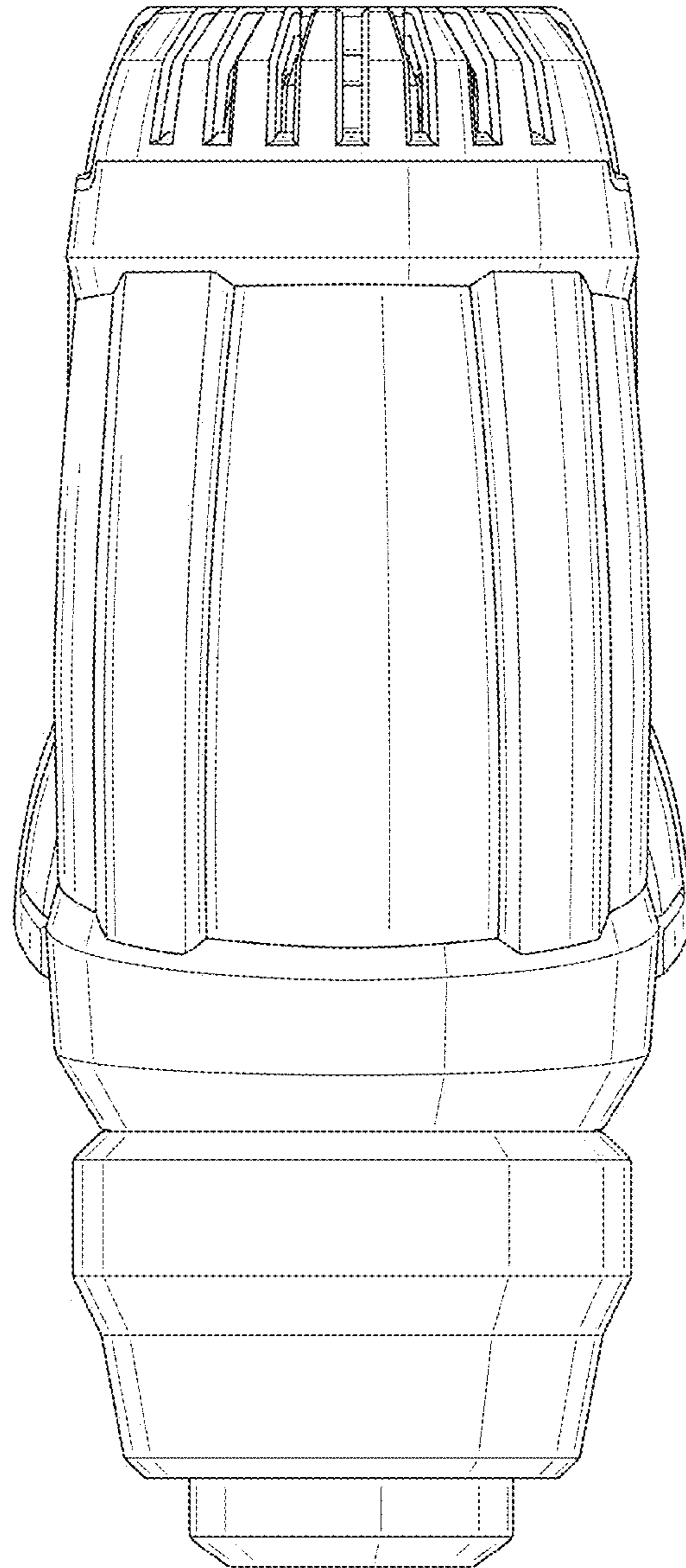


FIG. 15

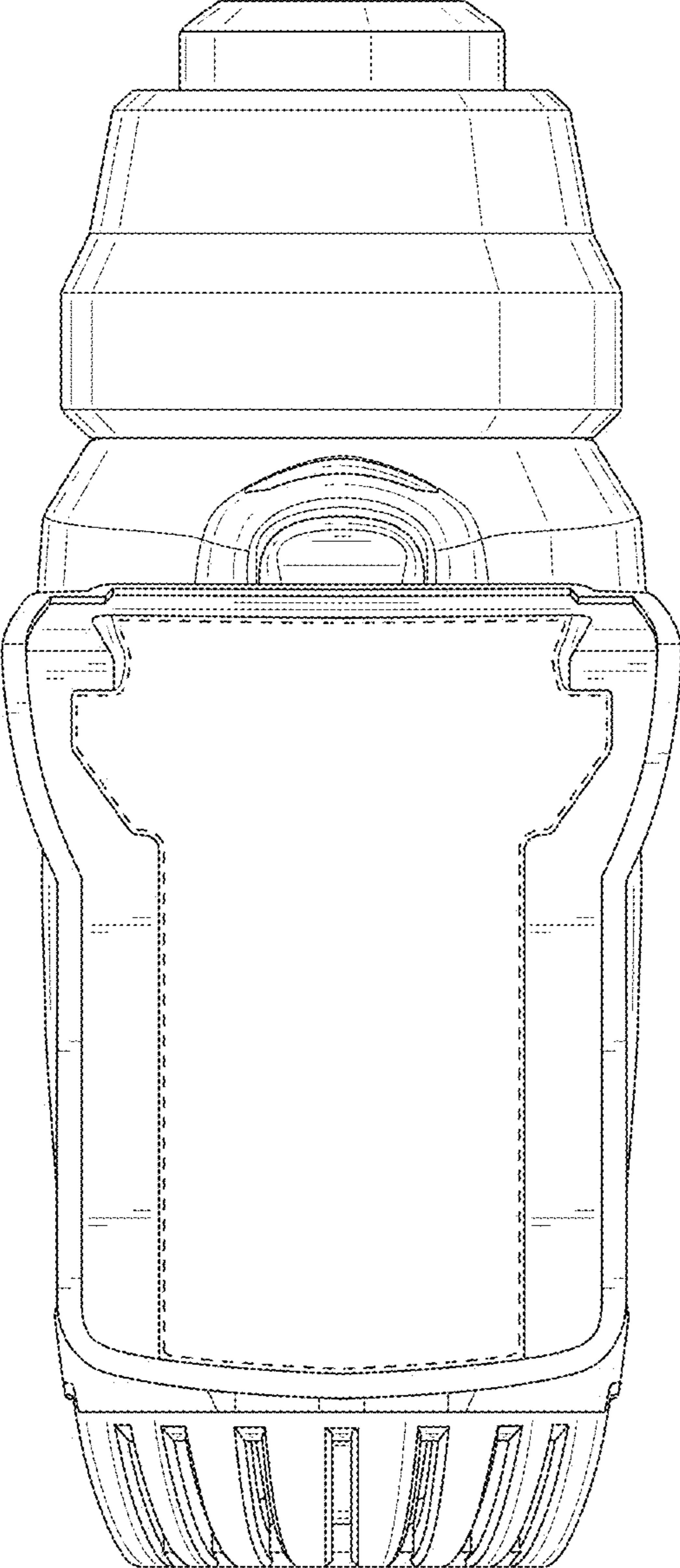


FIG. 16