



US00D913063S

(12) **United States Design Patent** (10) **Patent No.:** **US D913,063 S**
Taboada (45) **Date of Patent:** **** Mar. 16, 2021**

(54) **BOTTLE OPENER**

(71) Applicant: **Patterson + Sheridan, LLP**, Houston, TX (US)

(72) Inventor: **Keith Taboada**, Brielle, NJ (US)

(73) Assignee: **Patterson + Sheridan, LLP**, Houston, TX (US)

(**) Term: **15 Years**

(21) Appl. No.: **29/631,644**

(22) Filed: **Jan. 1, 2018**

(51) **LOC (13) Cl.** **08-05**

(52) **U.S. Cl.**
USPC **D8/19**

(58) **Field of Classification Search**

USPC D08/16, 17, 18, 19, 33, 34, 39, 40, 43, D08/51, 354, 363, 364, 366, 367, 368, D08/370, 371, 373, 380, 381; D06/323, D06/515, 518, 521, 523, 524, 537, 540, D06/545, 546, 549, 566; D25/38.1, 119, D25/122, 123; D02/602, 605, 606, 627, D02/643; D03/207, 215; D11/7, 40, 43, D11/79, 200, 201, 204, 208, 209, 212; D24/155; D29/129, 130

CPC A61B 17/80; A61B 17/66; A61B 17/58; A61B 17/8019; A61B 17/842; A61B 17/8625; A61B 17/863; A61B 17/8635; A61B 17/8866; B67B 7/44; B67B 7/18;

(Continued)

(56) **References Cited**

U.S. PATENT DOCUMENTS

795,330 A * 7/1905 Brewington et al. B67B 7/16 81/3.55

D54,127 S * 11/1919 Roberts D8/28

(Continued)

OTHER PUBLICATIONS

Stainless Steel StrainBlade® Bottle Opener, posted as early as Jun. 23, 2015, [retrieved Jan. 2, 2019], Retrieved from Internet, <URL: <https://barsupplies.com/stainless-steel-strainblade-bottle-opener.html> >.*

(Continued)

Primary Examiner — Shannon W Morgan

Assistant Examiner — Joseph J Kukella

(74) *Attorney, Agent, or Firm* — Patterson + Sheridan, LLP; Jessie Herrera

(57) **CLAIM**

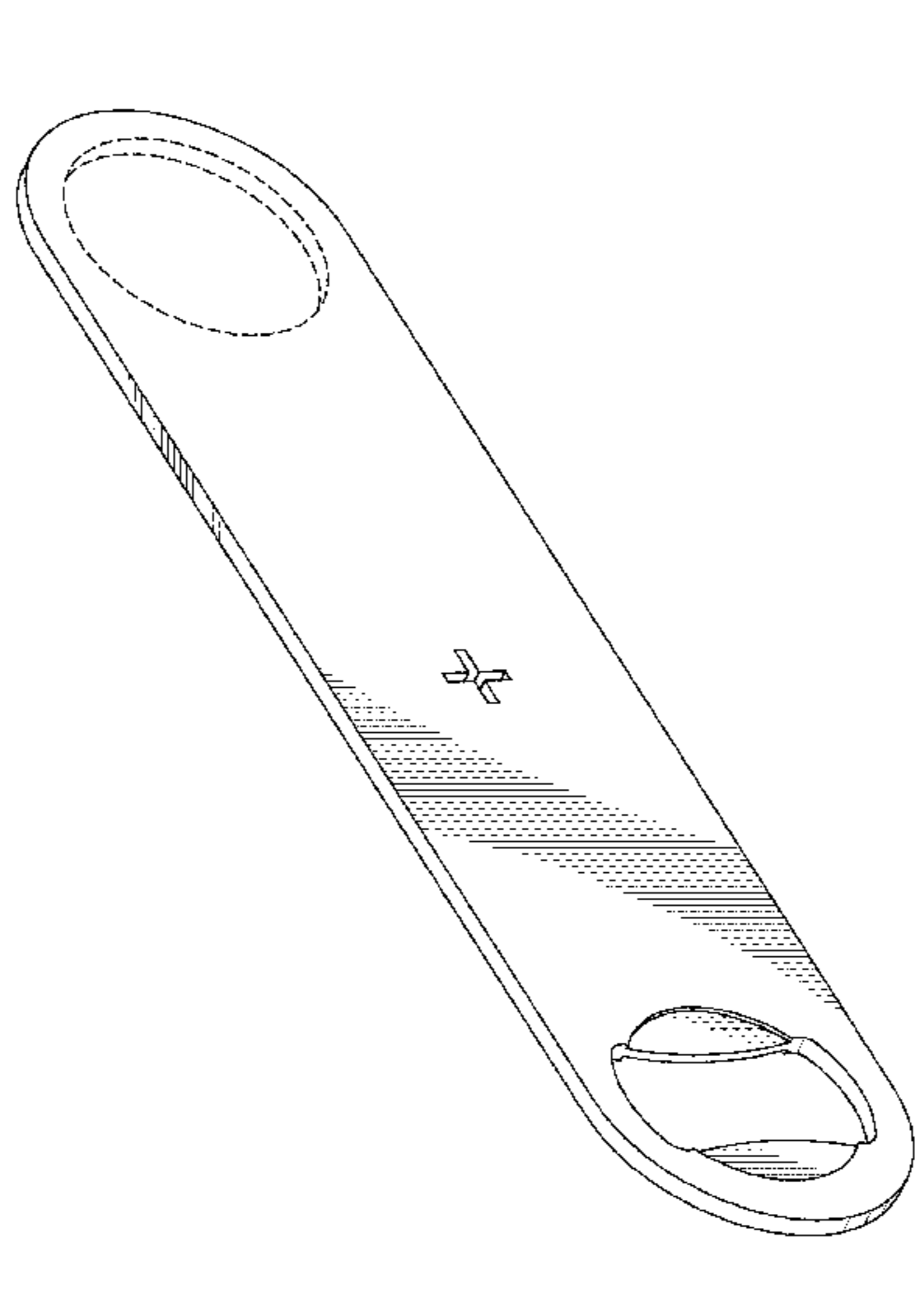
The ornamental design for a bottle opener, as shown and described.

DESCRIPTION

FIG. 1 is an isometric view of a bottle opener.
FIG. 2 is an elevation view of one end of the bottle opener of FIG. 1, the other end being identical.
FIG. 3 is an elevation view of one side of the bottle opener of FIG. 1, the other side being identical.
FIG. 4 is a top plan view of the bottle opener of FIG. 1, the bottom plan view being a mirror image.
FIG. 5 is a side cross-sectional view of the bottle opener along lines 5-5 of FIG. 4, the other side being a mirror image.
FIG. 6 is a side cross-sectional view of one end of the bottle opener along lines 6-6 of FIG. 4, the other side being a mirror image.
FIG. 7 is a side cross-sectional view of the bottle opener along lines 7-7 of FIG. 4, the other side being a mirror image; and,
FIG. 8 is a side cross-sectional view of one end of the bottle opener along lines 8-8 of FIG. 4, the other side being a mirror image.

The broken lines shown in the drawings depict portions of the bottle opener that form no part of the claimed design.

1 Claim, 3 Drawing Sheets



(58) **Field of Classification Search**

CPC B67B 7/0423; B67B 7/16; E04G 5/041;
 E04G 5/043; E04G 21/3276; E04G
 21/3285; E04D 13/12; B25F 1/04; B25F
 5/027; B26B 11/001; A47K 10/40; A47H
 27/00; A47G 7/045; A47B 13/02; A47B
 87/00; A47B 96/02; A47B 96/06; A47B
 57/06; A47B 87/005; A47B 57/34; A47B
 96/021; A47B 96/061; A47F 5/13; A44B
 11/04; A43B 1/0027; A43C 11/1413;
 A43C 11/1466; A43C 11/1433; B63B
 22/00; F16B 37/02; G10K 1/26; G10K
 1/28; G10K 9/22; H02G 1/00; A45F
 2200/0575; B25B 13/54; F16G 13/16;
 F16L 33/02; F16L 33/22; F16L 35/00

See application file for complete search history.

(56) **References Cited**

U.S. PATENT DOCUMENTS

D138,415 S * 8/1944 Douglass et al. 43/42.06
 D256,606 S * 8/1980 Hoggard D21/503
 D268,086 S * 3/1983 Waters, Jr. D8/17
 D488,689 S * 4/2004 Smith, IV D8/18
 D501,381 S * 2/2005 Kelleghan D8/18
 7,343,835 B2 * 3/2008 Jensen B67B 7/18
 81/3.09
 D637,463 S * 5/2011 Silvers D8/18
 D665,240 S * 8/2012 Corredor Londono D8/18
 D688,542 S * 8/2013 Wysoczynski D8/18

8,607,668 B1 * 12/2013 Frank B67B 7/16
 81/3.09
 D739,194 S * 9/2015 Kieu D8/34
 D751,360 S * 3/2016 Oakley D8/18
 D763,046 S * 8/2016 Hume D8/33
 D780,546 S * 3/2017 Kieu D8/40
 D833,843 S * 11/2018 Stahle, Jr. D8/38
 2010/0294083 A1 * 11/2010 Hastings B67B 7/00
 81/3.47

OTHER PUBLICATIONS

Home/Bottle Openers/Bartender Gear—Bottle Openers For Bartenders/
 Stainless Speed Opener, posted as early as Nov. 2, 2011, [retrieved
 Jan. 2, 2019], Retrieved from Internet, <URL: <https://www.lazerdesigns.com/speed-opener> >.*

Ommegang Bartender Bottle Opener, posted May 14, 2015, [retrieved
 Jan. 2, 2019], Retrieved from Internet, <URL: <https://www.amazon.com/Ommegang-Bartender-Bottle-Opener/dp/B00XML7BC> >.*

1×7" Professional Bar Blade Bartender Bottle Speed Cap Opener
 3536, posted Dec. 3, 2012, [retrieved Jan. 2, 2019], Retrieved from
 Internet, <URL: <https://www.amazon.co.uk/Professional-Blade-Bartender-Bottle-Opener/dp/B00A65IWCM> >1×7" Professional Bar
 Blade Bartender Bottle Speed Cap Opener 3536, posted Dec. 3,
 2012.*

Benchmade 1000000 Fixed Bottle Opener, posted as early as Jul.
 27, 2015, [retrieved Jan. 2, 2019], Retrieved from Internet, <URL:
<https://www.amazon.com/Benchmade-Logo-Bottle-Opener-1000000/dp/B00THLJS42> >.*

* cited by examiner

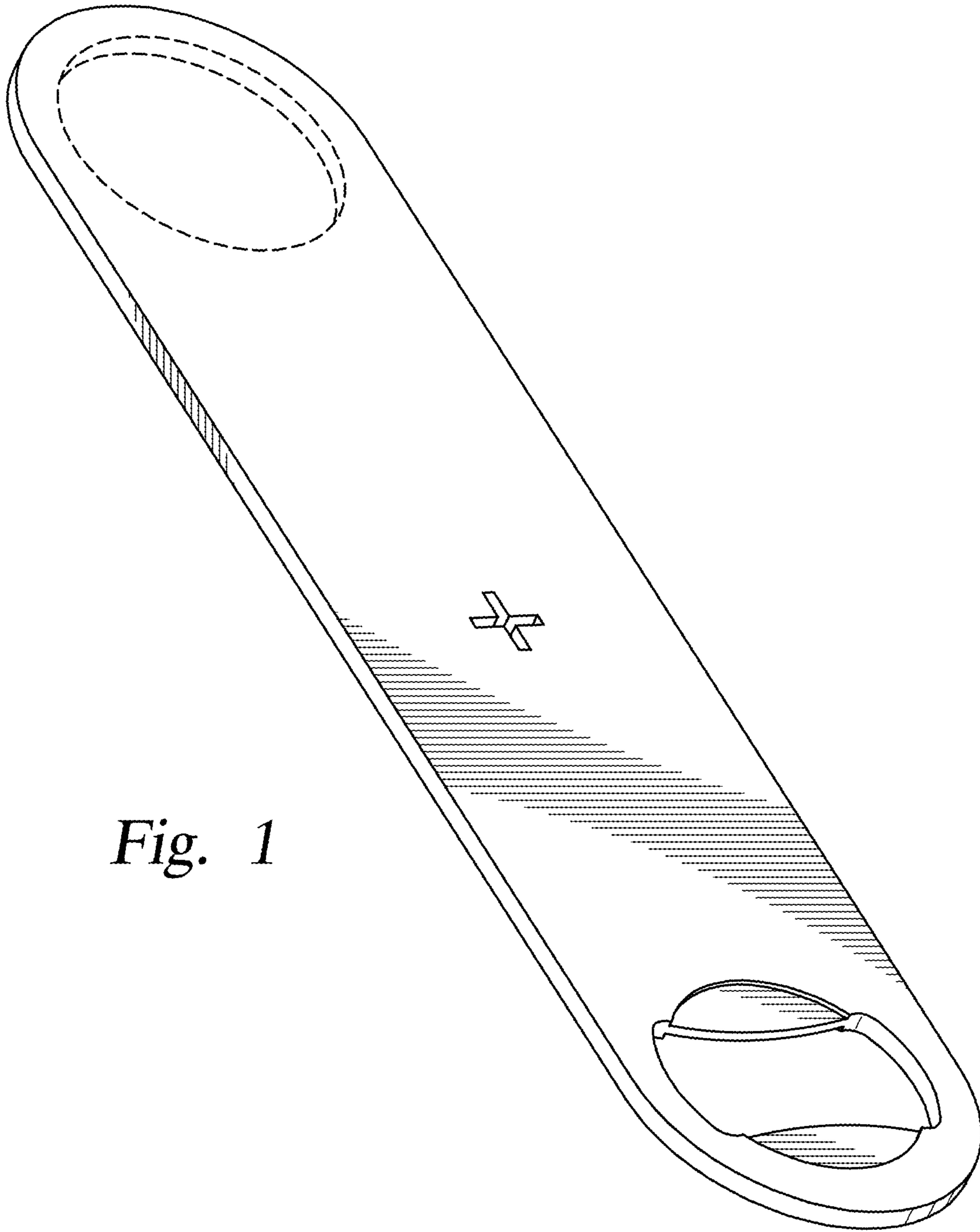


Fig. 1

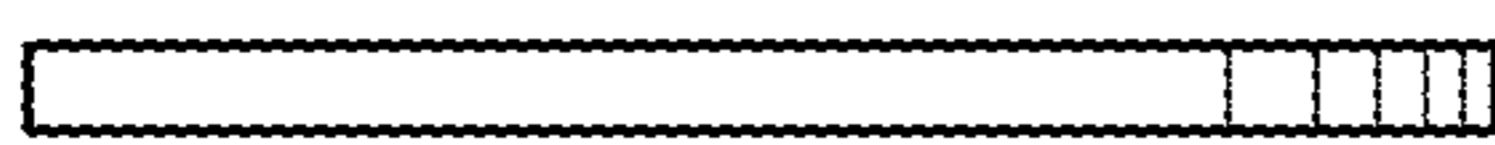


Fig. 2

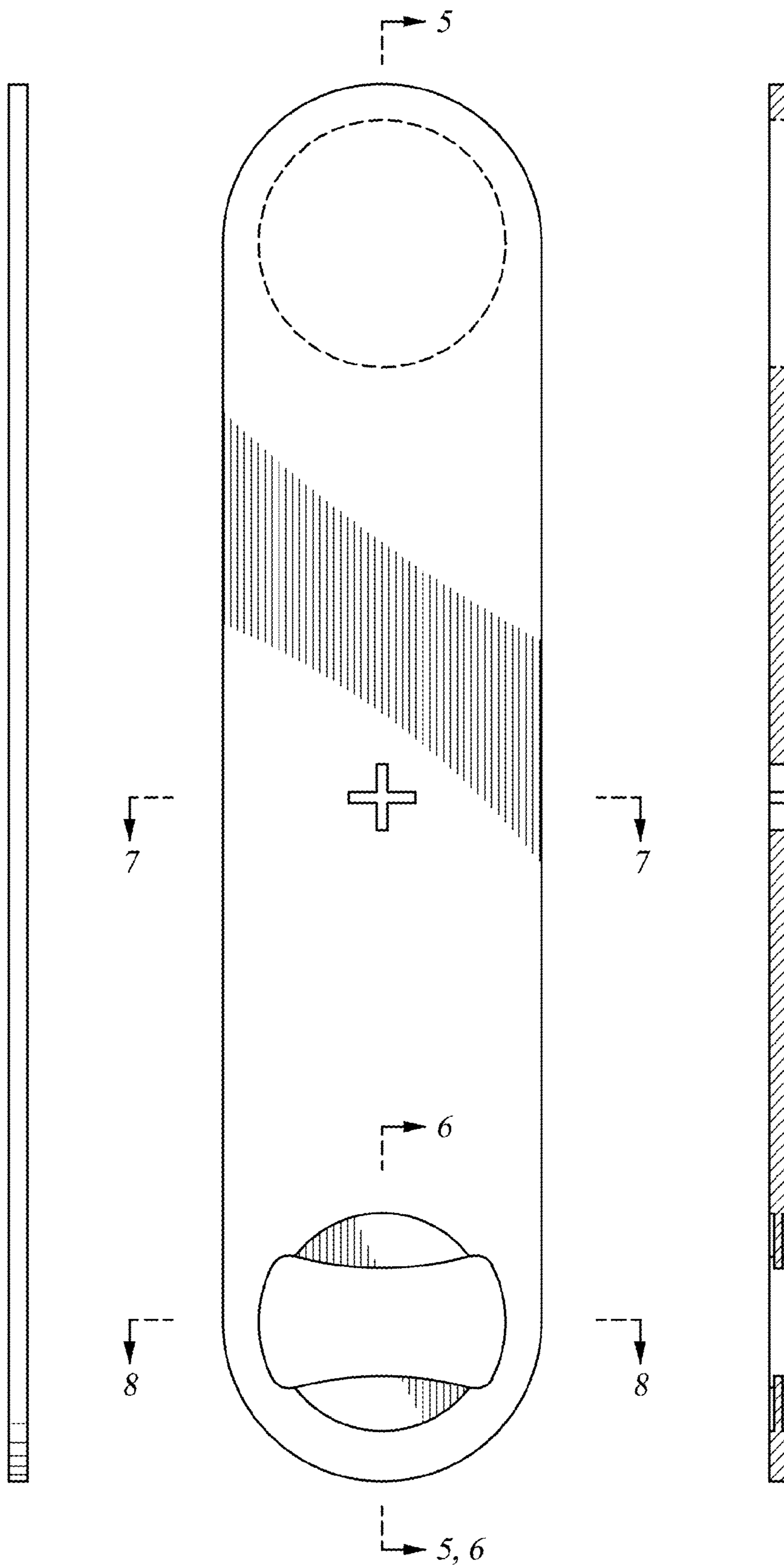


Fig. 3

Fig. 4

Fig. 5



Fig. 6

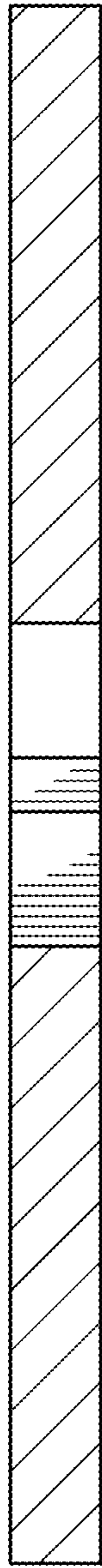


Fig. 7

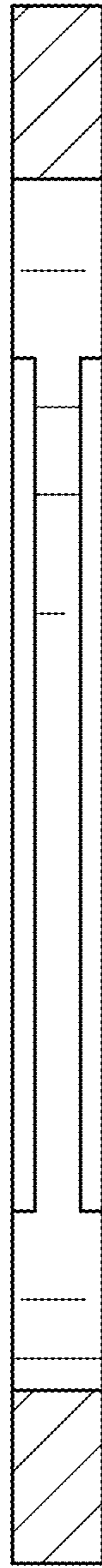


Fig. 8