



US00D913062S

(12) **United States Design Patent**
Leung

(10) **Patent No.:** **US D913,062 S**

(45) **Date of Patent:** **** Mar. 16, 2021**

(54) **CONNECTOR TERMINAL INSTALLATION TOOL**

(71) Applicant: **Molex, LLC**, Lisle, IL (US)

(72) Inventor: **Wai Y. Leung**, Chicago, IL (US)

(73) Assignee: **Molex, LLC**, Lisle, IL (US)

(**) Term: **15 Years**

(21) Appl. No.: **29/670,179**

(22) Filed: **Nov. 14, 2018**

(51) **LOC (13) Cl.** **08-05**

(52) **U.S. Cl.**
USPC **D8/14**

(58) **Field of Classification Search**
USPC D8/14, 51, 98, 105
CPC ... H01R 43/22; H01R 43/26; Y10T 29/53174;
Y10T 29/53283; Y10T 29/53943; Y10T
29/53274; Y10T 29/5327

See application file for complete search history.

(56) **References Cited**

U.S. PATENT DOCUMENTS

3,636,612	A *	1/1972	Suprun	H01R 43/26 29/747
4,083,101	A *	4/1978	Coller	H01R 43/22 29/278
5,031,981	A *	7/1991	Peterson	G02B 6/3887 385/56
5,161,301	A *	11/1992	Kilsdonk	H01R 43/22 29/739
5,655,294	A *	8/1997	Makino	H01R 43/005 29/270
6,363,560	B1 *	4/2002	Kesinger	H01R 43/042 7/107
6,732,426	B2 *	5/2004	Adams	B25B 27/10 29/729
D505,052	S *	5/2005	Dinh	D8/14

7,181,999	B1 *	2/2007	Skeels	H01R 43/26 81/124.2
7,194,178	B2 *	3/2007	Nakano	G02B 6/3807 385/134
7,257,888	B2 *	8/2007	Nelson	H01R 43/26 29/278

(Continued)

Primary Examiner — Philip S Hyder

(74) *Attorney, Agent, or Firm* — Banner & Witcoff, Ltd.

(57) **CLAIM**

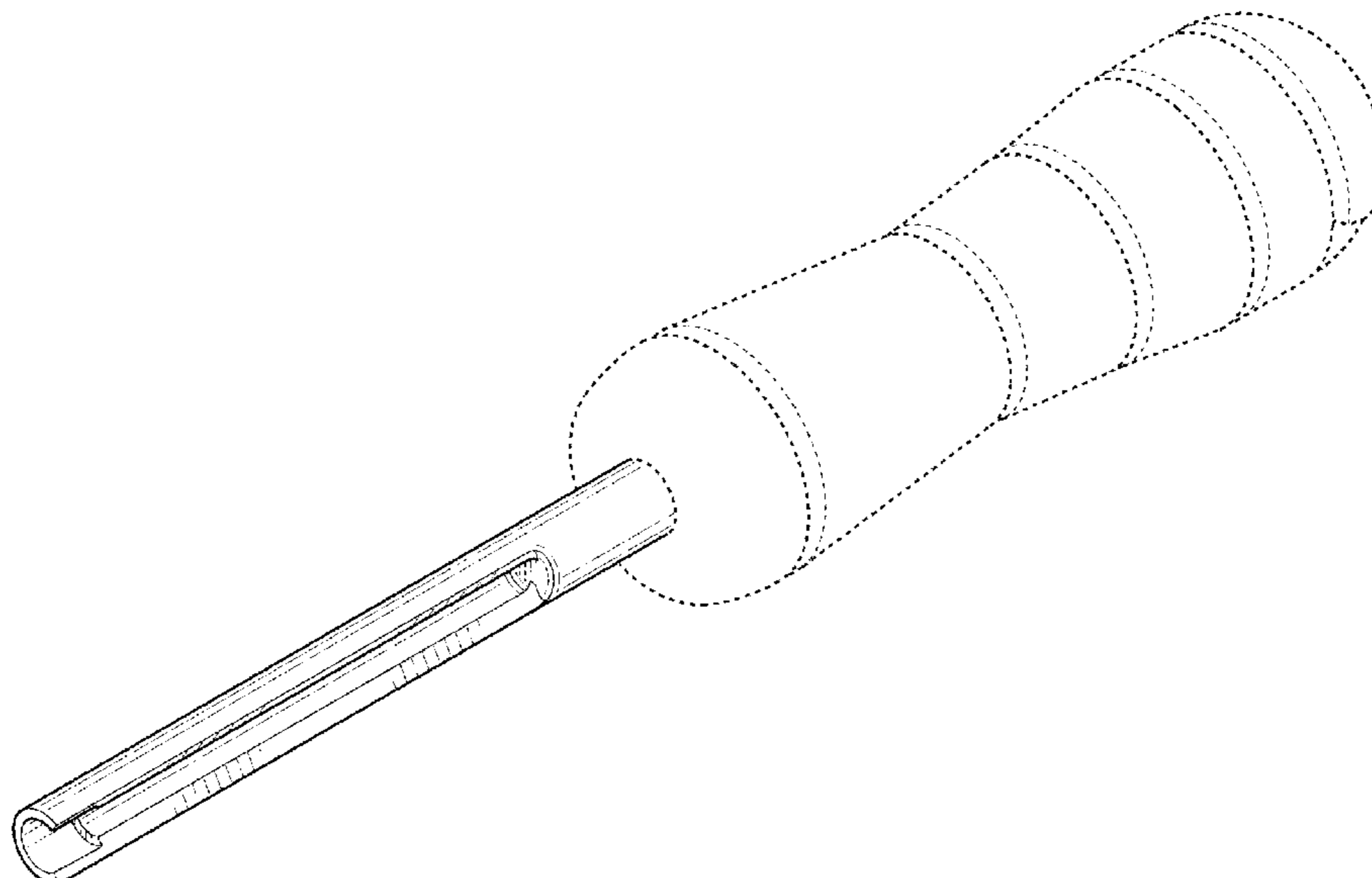
The ornamental design for a connector terminal installation tool, as shown and described.

DESCRIPTION

FIG. 1 is a top front perspective view of a connector terminal installation tool showing my new design;
 FIG. 2 is a top rear perspective view thereof;
 FIG. 3 is a left side view thereof;
 FIG. 4 is a right side view thereof;
 FIG. 5 is a top view thereof;
 FIG. 6 is a bottom view thereof;
 FIG. 7 is a front view thereof;
 FIG. 8 is a rear view thereof;
 FIG. 9 is a top front perspective view of an alternate embodiment of a connector terminal installation tool showing my new design;
 FIG. 10 is a top rear perspective view thereof;
 FIG. 11 is a left side view thereof;
 FIG. 12 is a right side view thereof;
 FIG. 13 is a top view thereof;
 FIG. 14 is a bottom view thereof;
 FIG. 15 is a front view thereof; and,
 FIG. 16 is a rear view thereof.

The broken line immediately adjacent to the shaded area represents a boundary of the claimed design and forms no part thereof. The broken lines depicting the remainder of the connector terminal installation tool show features that form no part of the claimed design.

1 Claim, 14 Drawing Sheets



(56)

References Cited

U.S. PATENT DOCUMENTS

8,621,961 B2 * 1/2014 Burch B25B 15/02
81/9.4

* cited by examiner

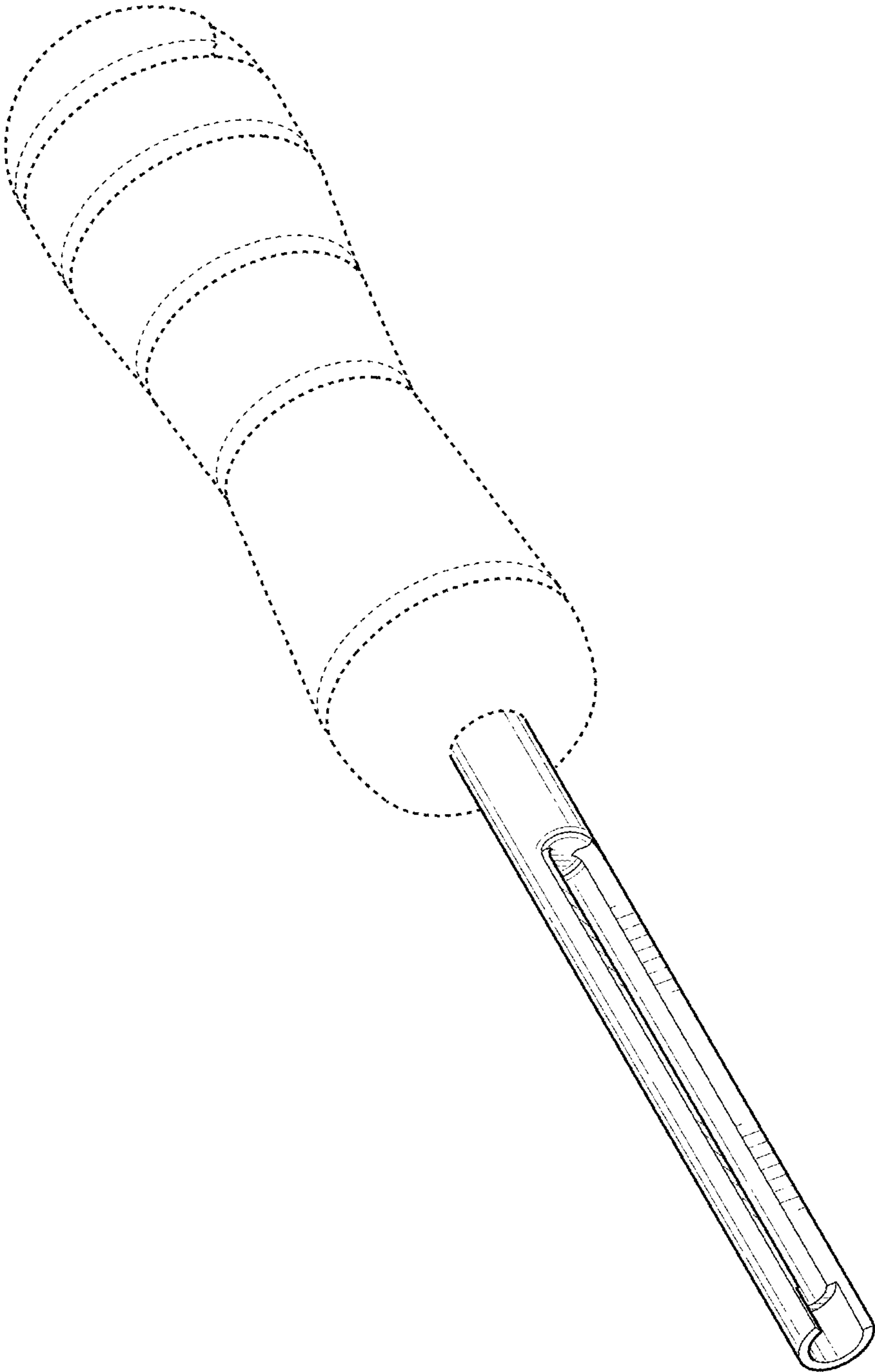


FIG. 1

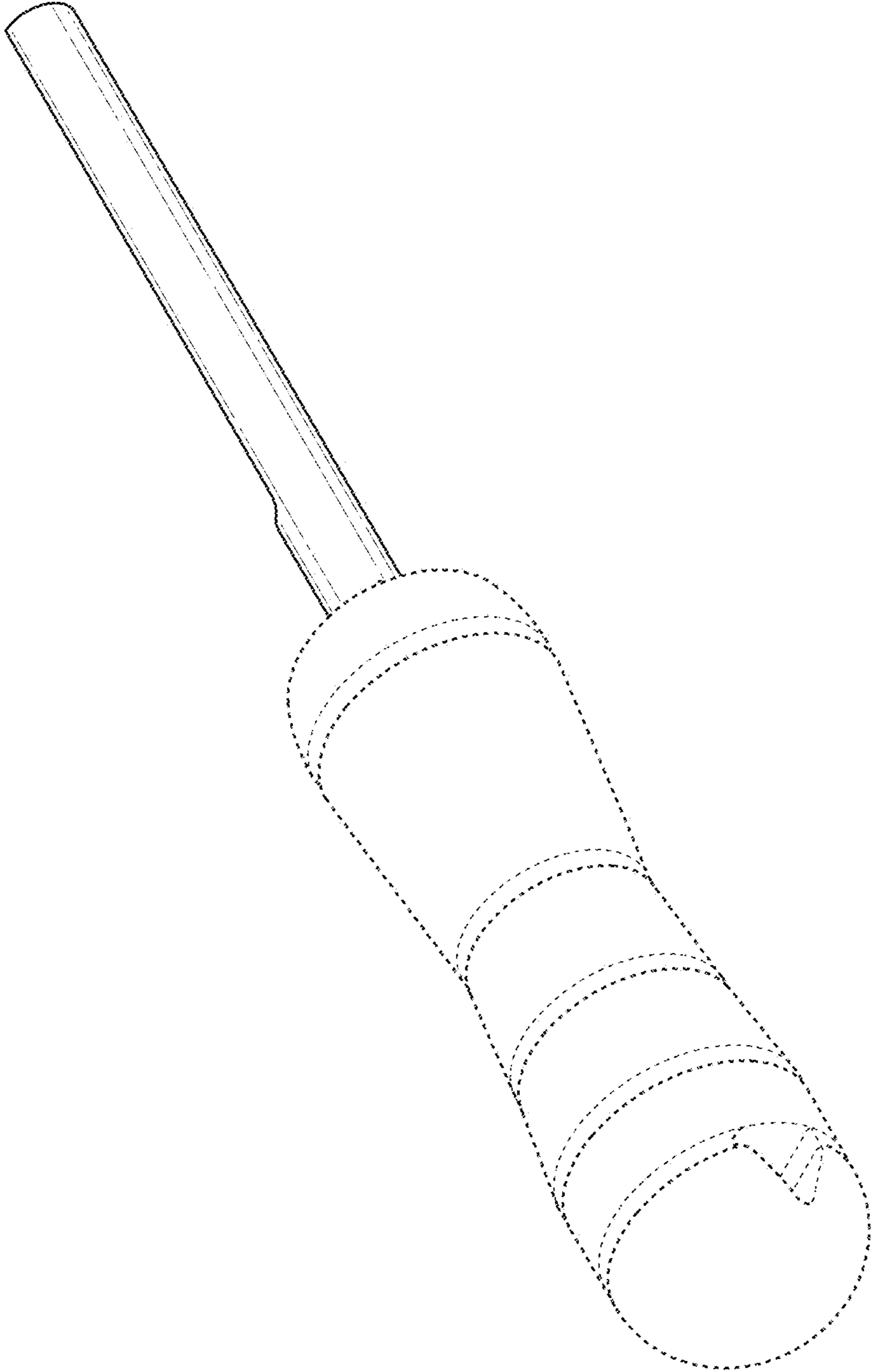


FIG. 2

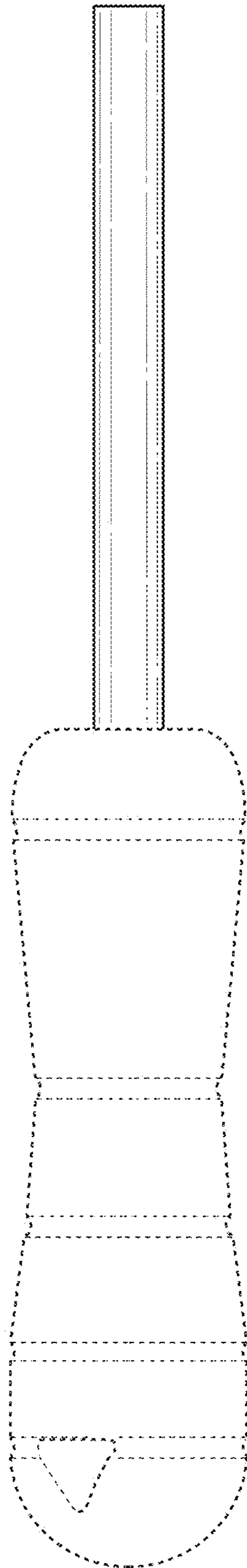


FIG. 3

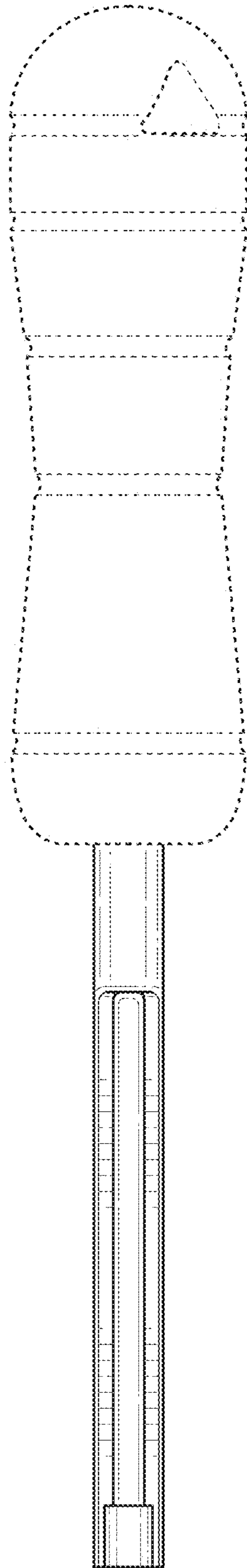


FIG. 4

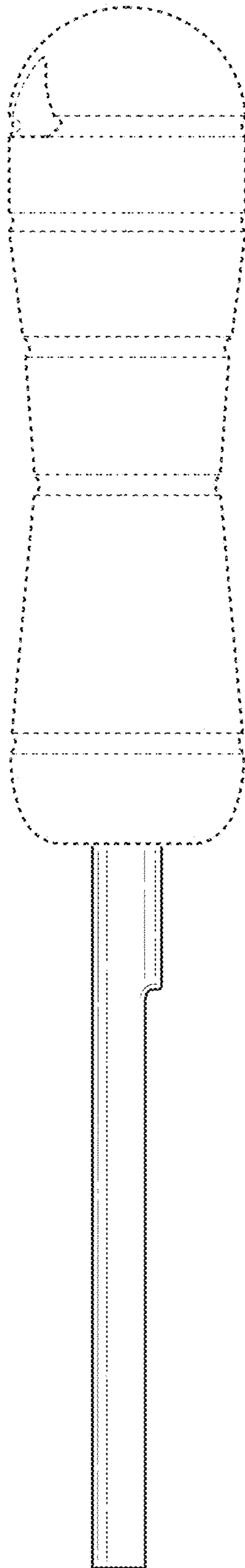


FIG. 5

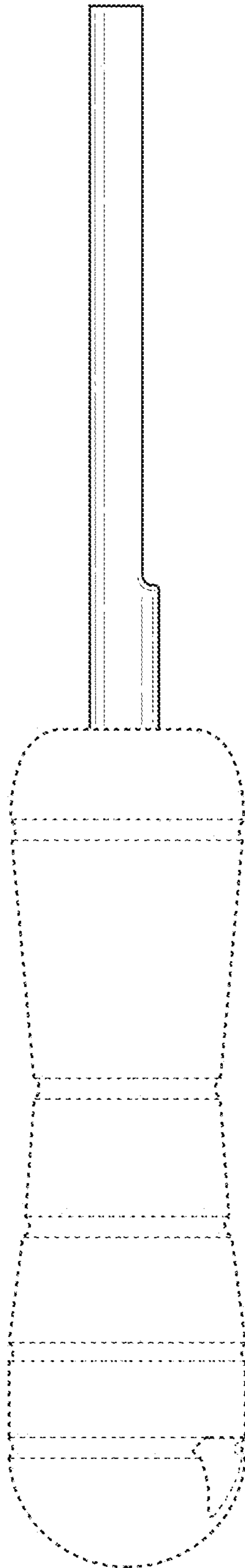


FIG. 6

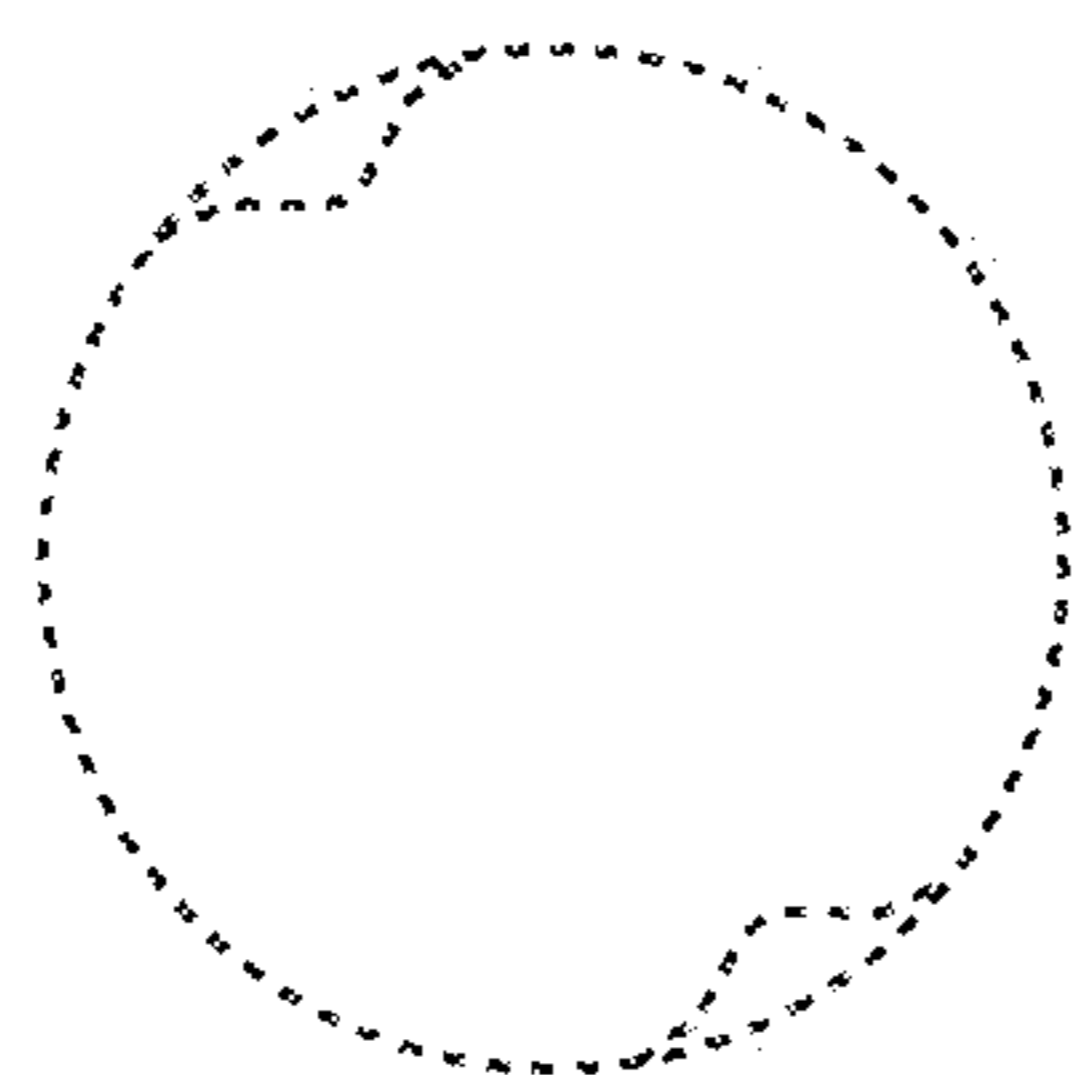


FIG. 8

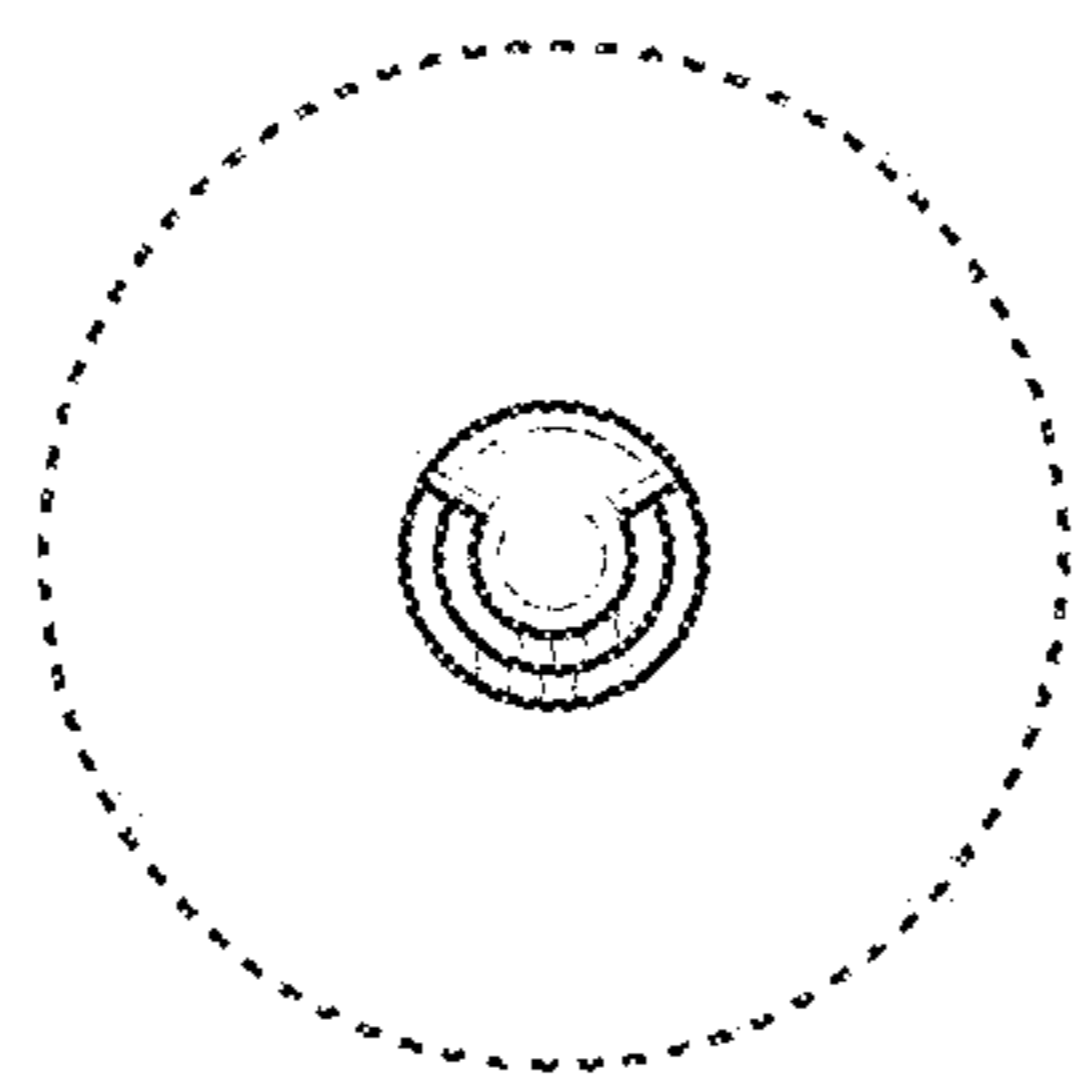


FIG. 7

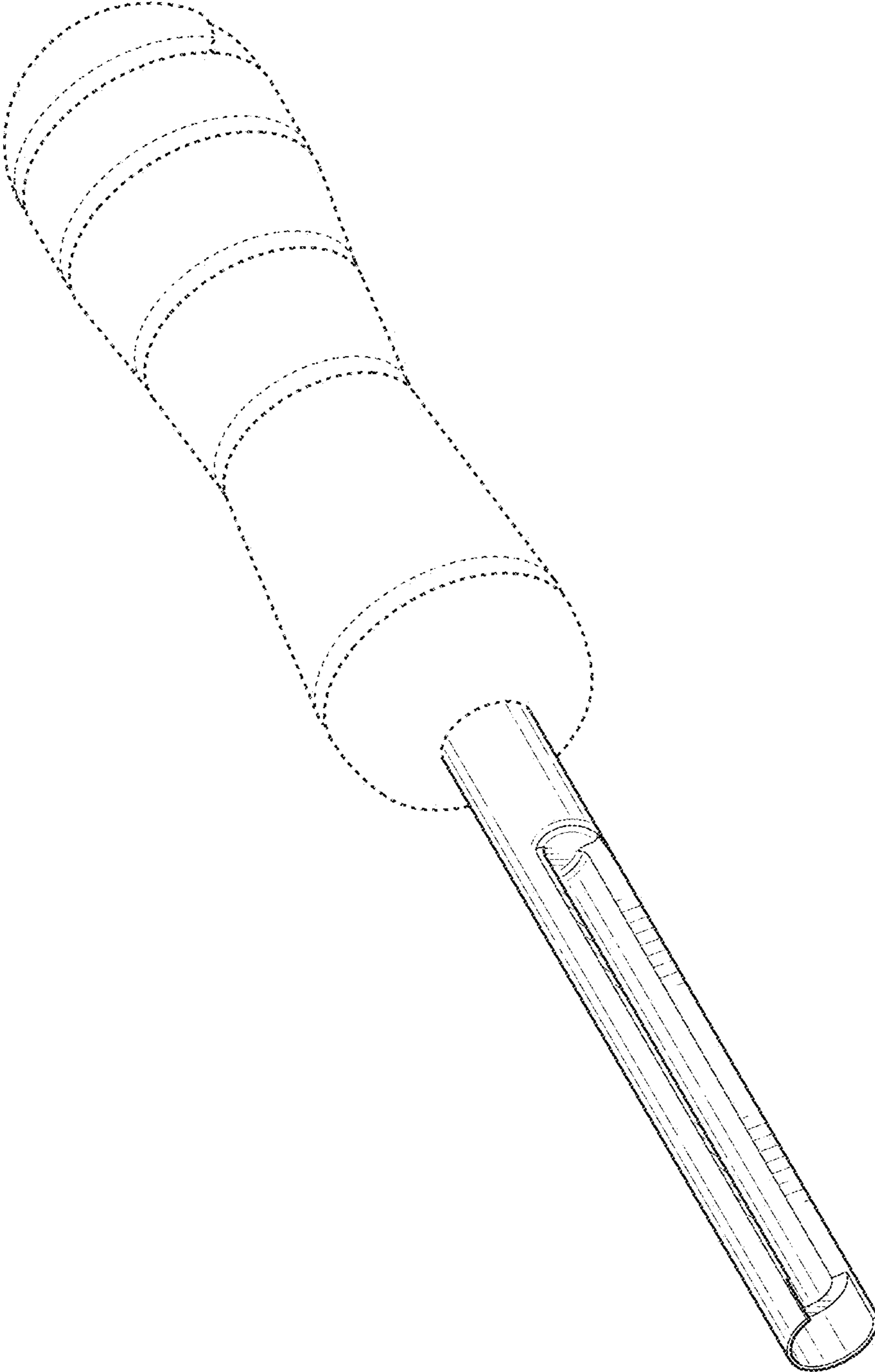


FIG. 9

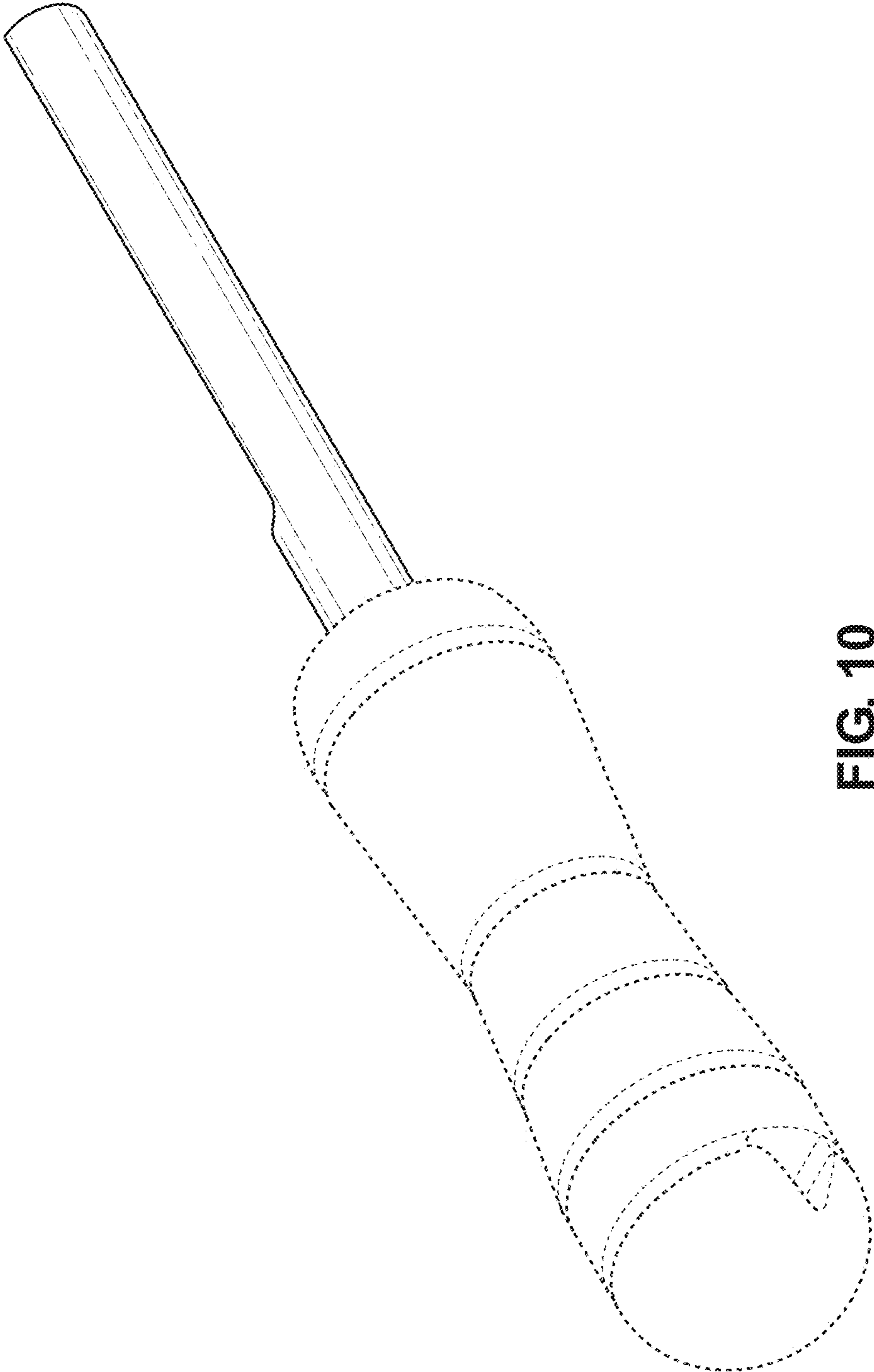


FIG. 10

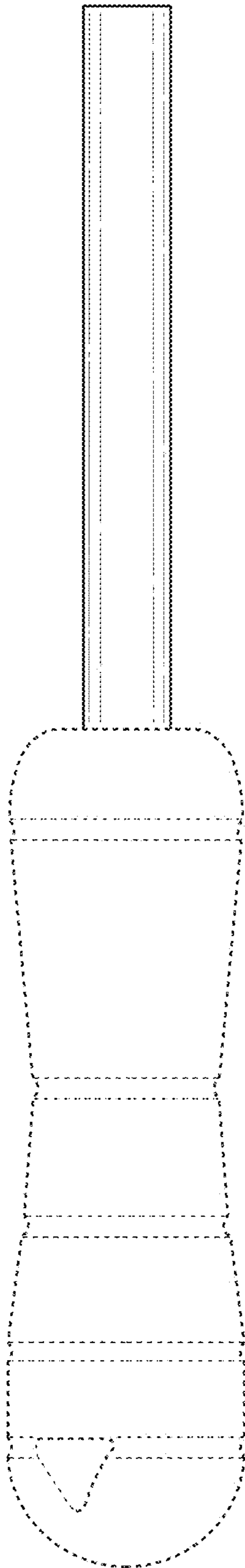


FIG. 11

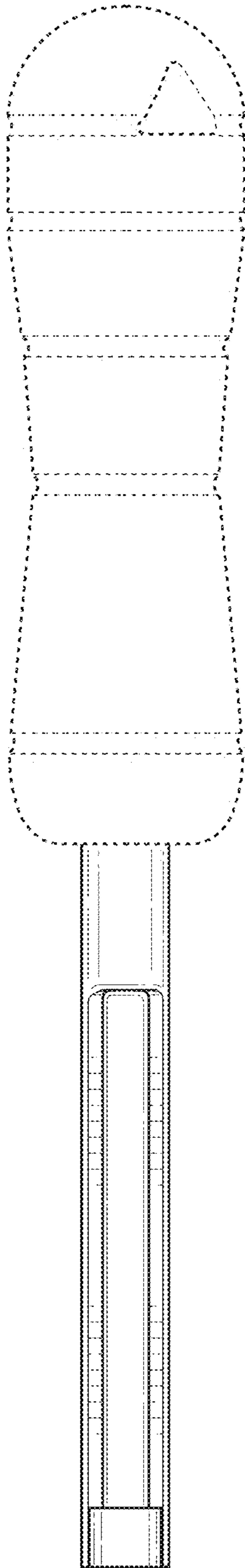


FIG. 12

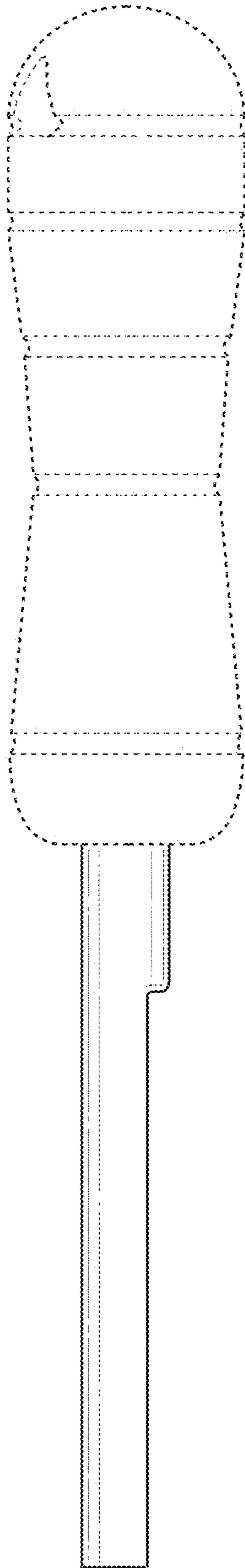


FIG. 13

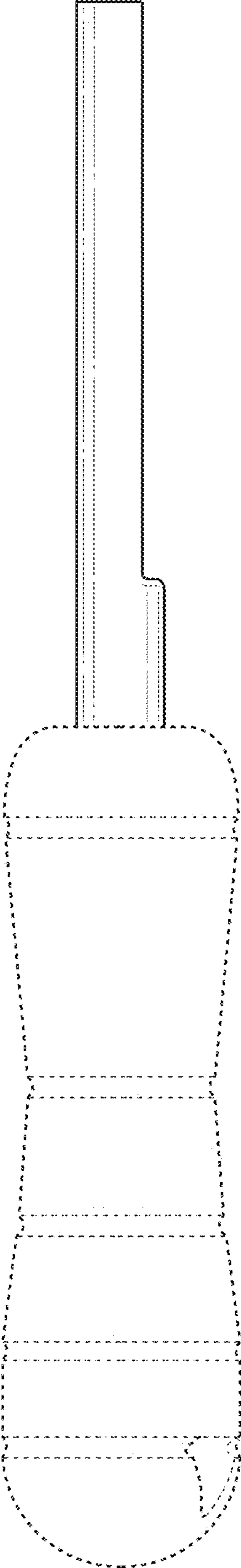


FIG. 14

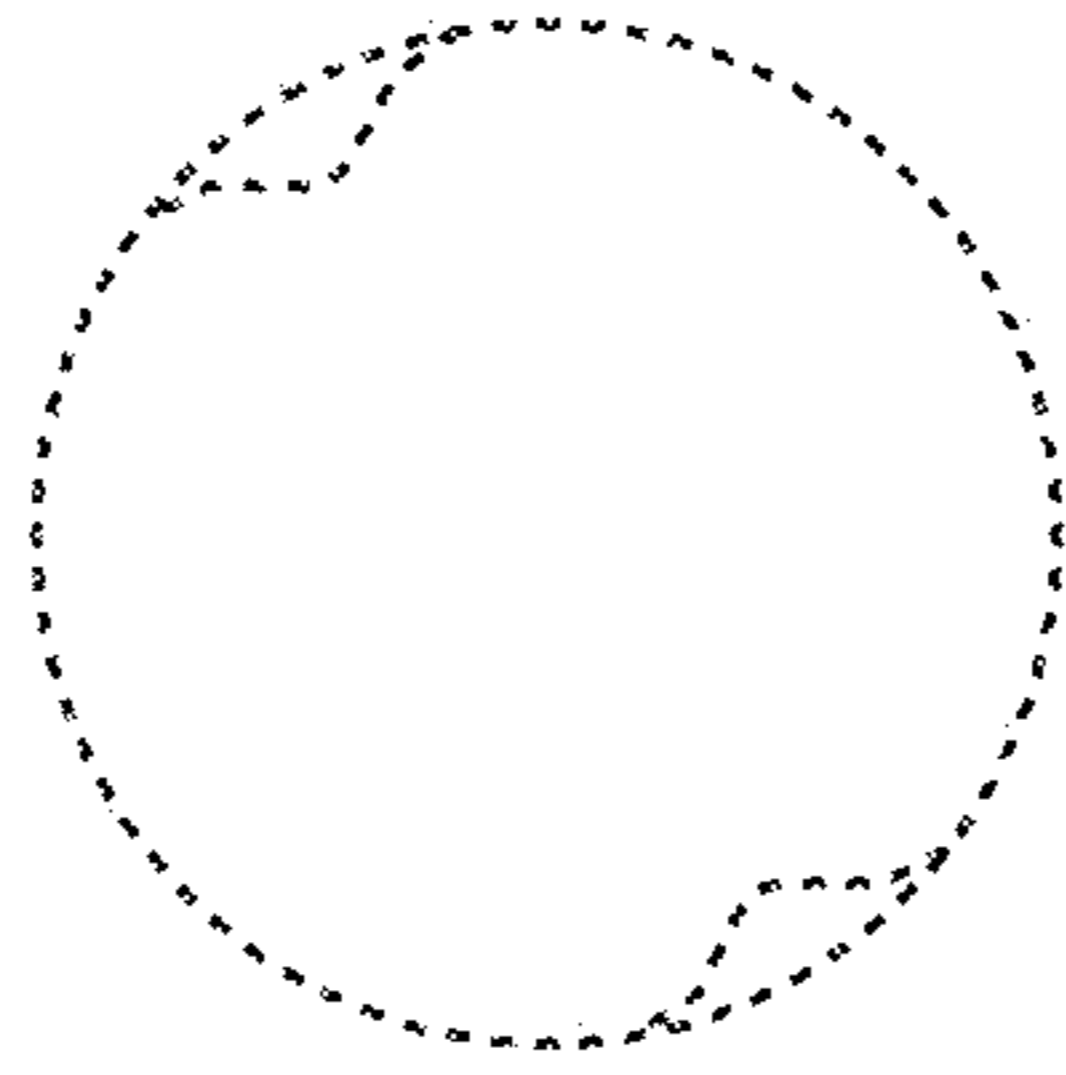


FIG. 16

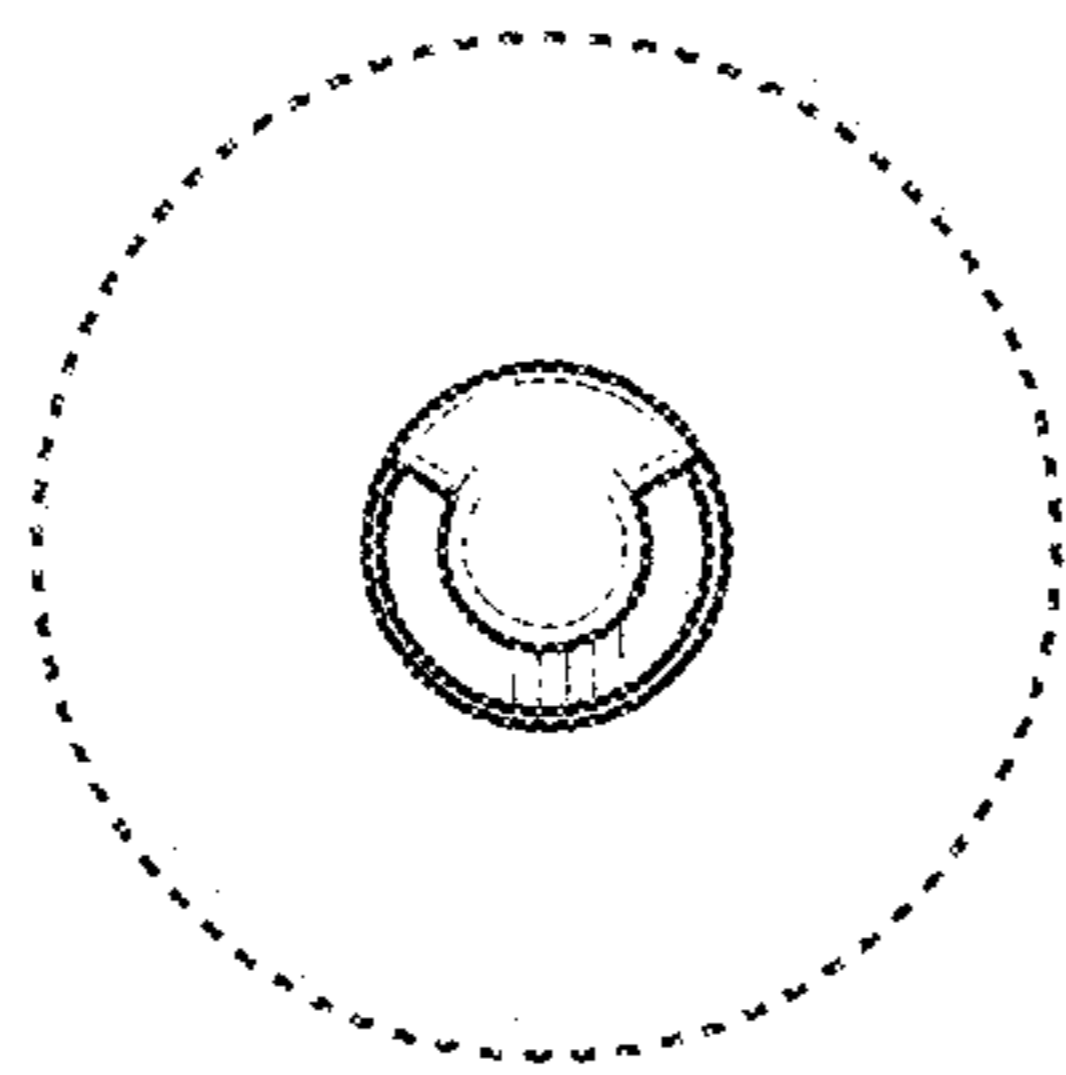


FIG. 15