



US00D913061S

(12) **United States Design Patent** (10) **Patent No.:** **US D913,061 S**
Andersson et al. (45) **Date of Patent:** **** Mar. 16, 2021**

(54) **TRANSPORT GUARD**
(71) Applicant: **HUSQVARNA AB**, Huskvarna (SE)
(72) Inventors: **Malin Andersson**, Kalskoga (SE); **Tor Sigurdsson**, Stockholm (SE); **Rajinder Mehra**, Johanneshov (SE)
(73) Assignee: **HUSQVARNA AB**, Huskvarna (SE)

(**) Term: **15 Years**
(21) Appl. No.: **29/683,093**
(22) Filed: **Mar. 11, 2019**

(30) **Foreign Application Priority Data**
Sep. 11, 2018 (EM) 005636248-0002
(51) **LOC (13) Cl.** **08-03**
(52) **U.S. Cl.**
USPC **D8/8**
(58) **Field of Classification Search**
USPC D8/1, 7-13, 107, 499; D3/220
CPC A01B 1/04; A01B 1/02; A01B 1/12; A01B 1/18; A01B 13/00; A01D 34/412; A01D 34/416; A01G 3/00; A01G 3/053; A01G 3/062; A01G 3/0535; B25F 5/02; B23Q 13/00; B27G 19/003; B26B 29/02; B26B 29/025
See application file for complete search history.

(56) **References Cited**
U.S. PATENT DOCUMENTS
D265,147 S * 6/1982 Jackson D3/220
4,430,795 A * 2/1984 Wetzel B27B 17/02
30/382
5,119,937 A * 6/1992 Reynolds, Jr. B27B 17/0008
206/349
D329,785 S * 9/1992 Colonello D8/13
D339,286 S * 9/1993 Kelsey D3/203.3

D661,169 S * 6/2012 Tinius B27B 17/0008
D8/65
D678,743 S * 3/2013 Tinius B23Q 13/00
D8/65
8,813,374 B2 * 8/2014 Lank B23Q 13/00
30/381
D817,724 S * 5/2018 Yeh B27B 17/02
D7/638
2013/0305545 A1 * 11/2013 Schell B27G 19/003
30/382

OTHER PUBLICATIONS

Amazon.com, X495000231 Echo Hedge Trimmer Blade Scabbard Cover, undated online product page, retrieved Aug. 15, 2020 from <URL:https://www.amazon.com/X495000231-Trimmer-Scabbard-HC-150-HC-151/dp/B07FNTP3XP (Year: 2020).*

* cited by examiner

Primary Examiner — Sheryl Lane
Assistant Examiner — Calvin E Vansant
(74) *Attorney, Agent, or Firm* — Burr & Forman, LLP

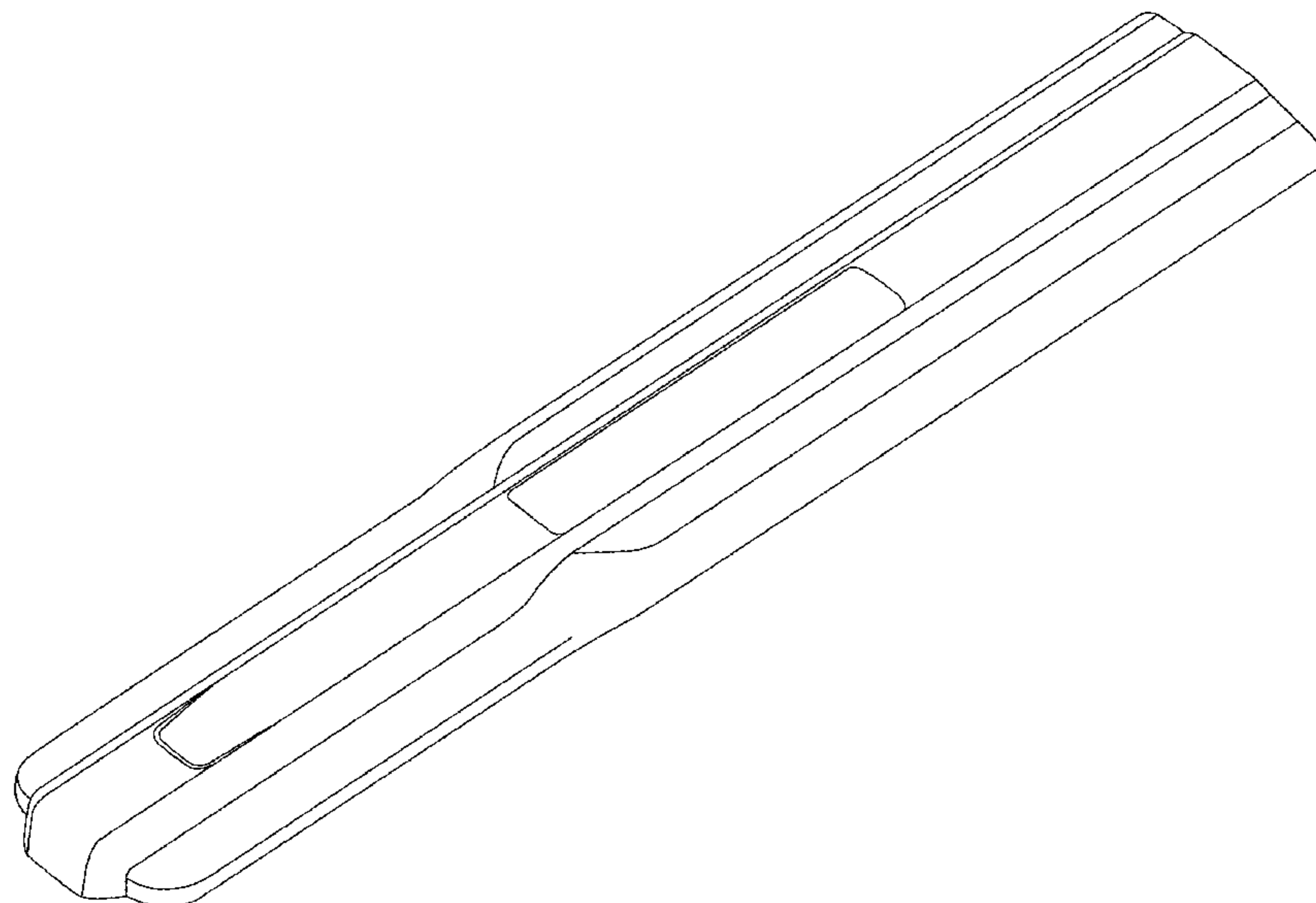
(57) **CLAIM**

The ornamental design for the transport guard, as shown and described.

DESCRIPTION

FIG. 1 is a perspective view of a transport guard in accordance with an embodiment of the present invention; FIG. 2 is a right side view of the transport guard of FIG. 1; FIG. 3 is a left side view of the transport guard of FIG. 1; FIG. 4 is a top view of the transport guard of FIG. 1; FIG. 5 is a bottom view of the transport guard of FIG. 1; FIG. 6 is a front view of the transport guard of FIG. 1; and, FIG. 7 is a rear view of the transport guard of FIG. 1. The broken lines of the transport guard in FIGS. 1-7 form no part of the claimed design.

1 Claim, 5 Drawing Sheets



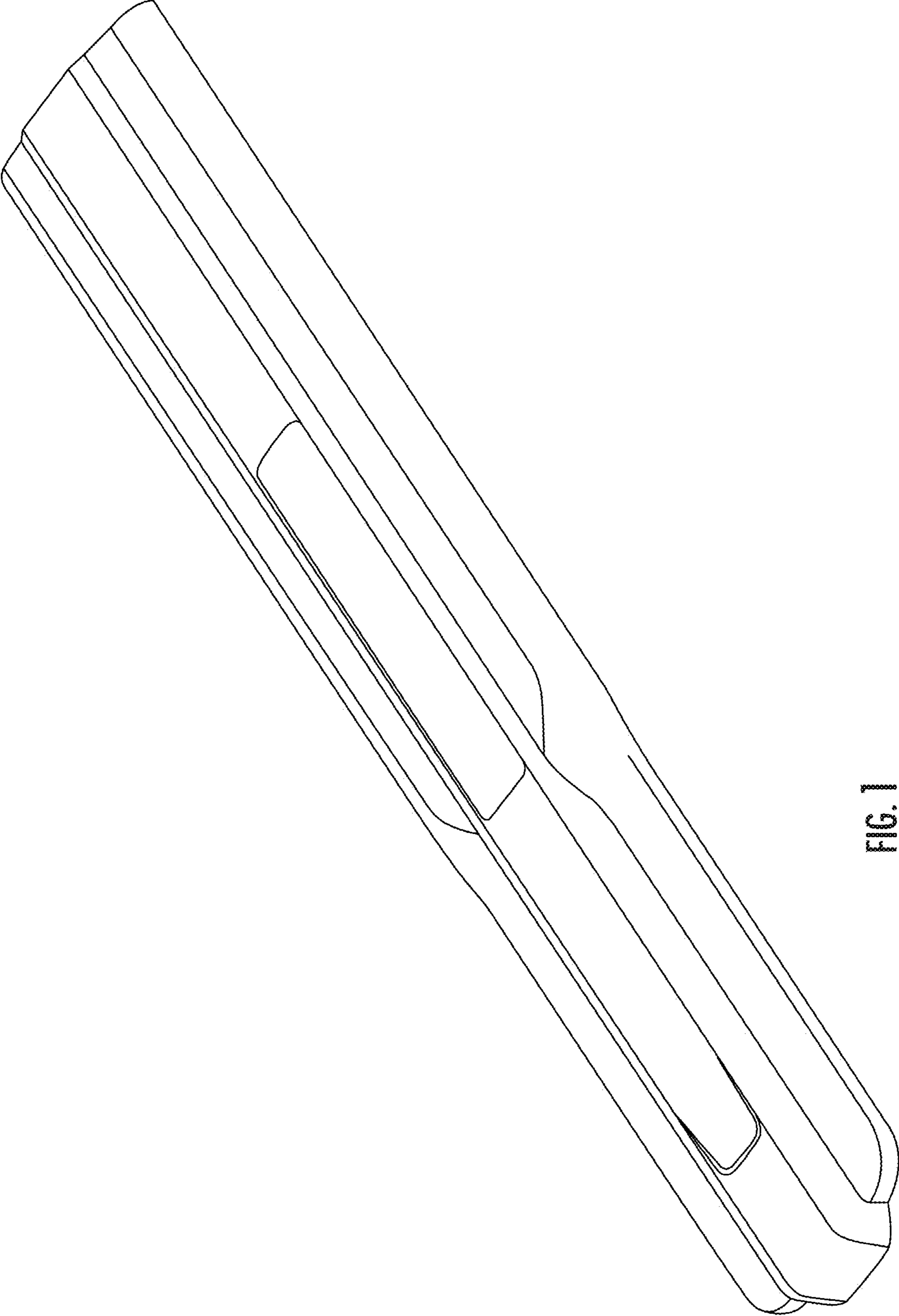


FIG. 1

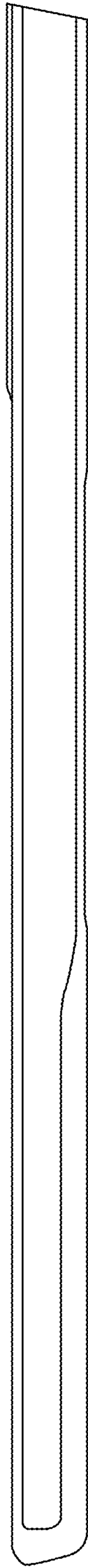


FIG. 2

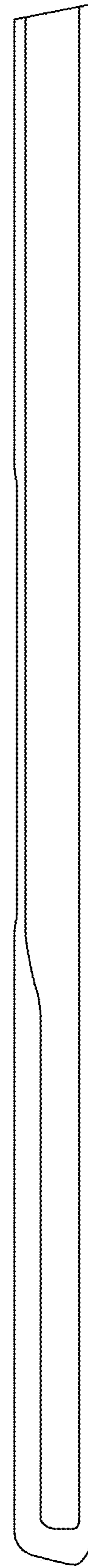


FIG. 3

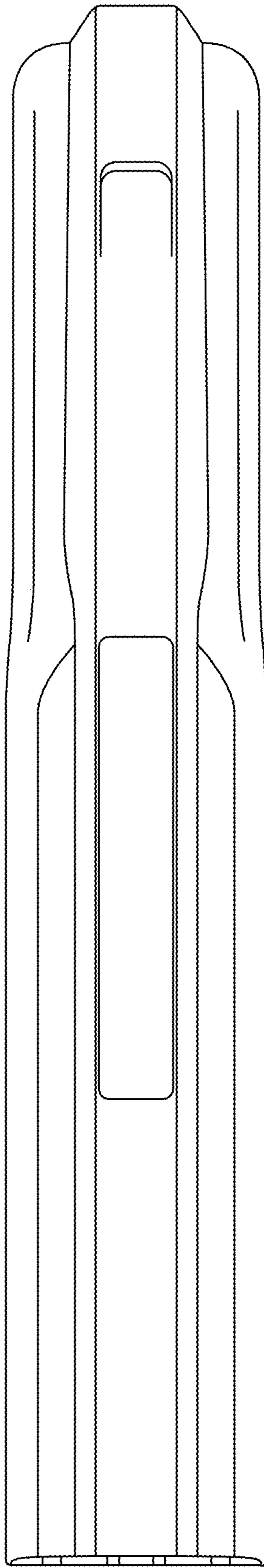


FIG. 4

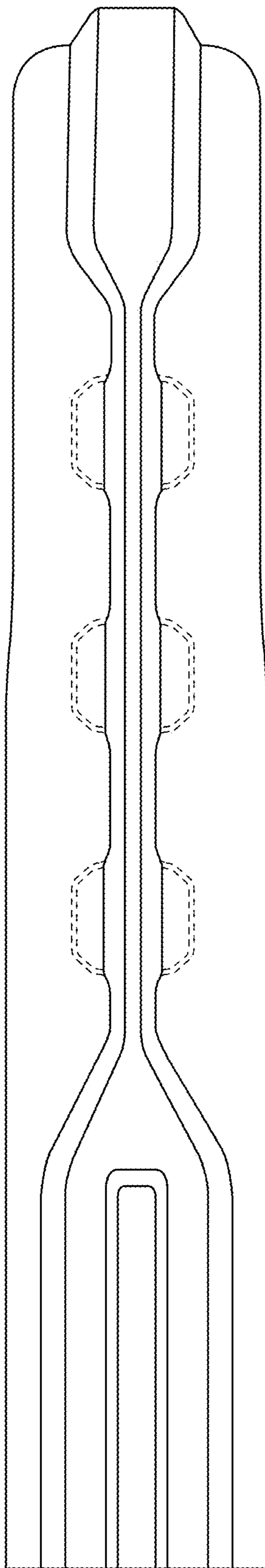


FIG. 5

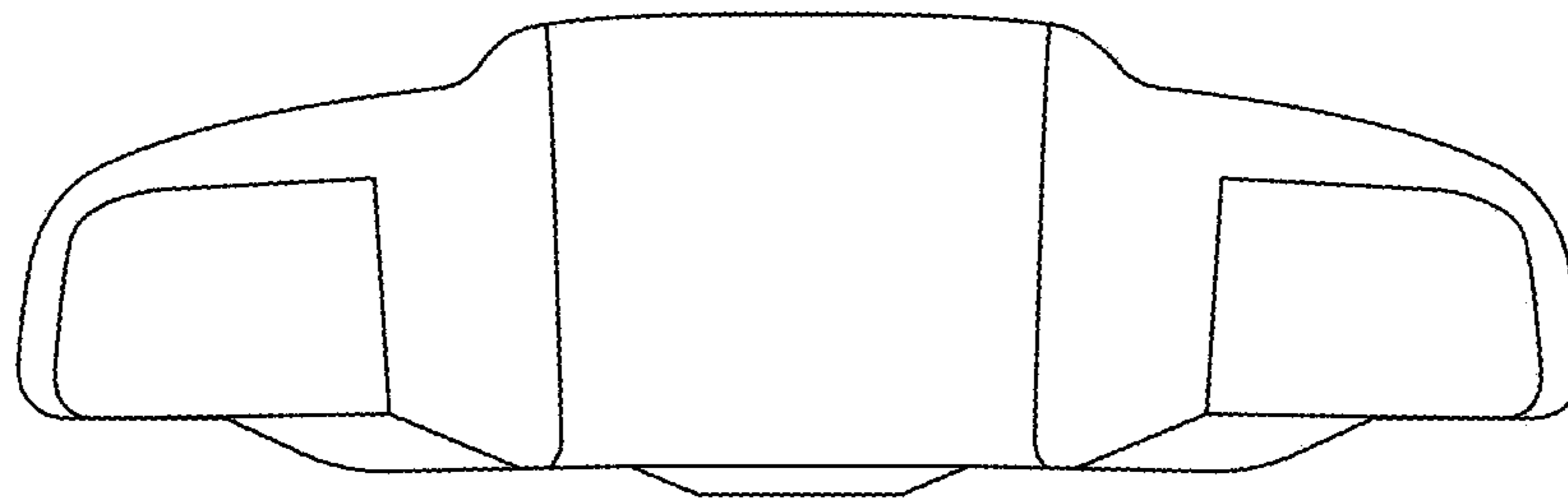


FIG. 6

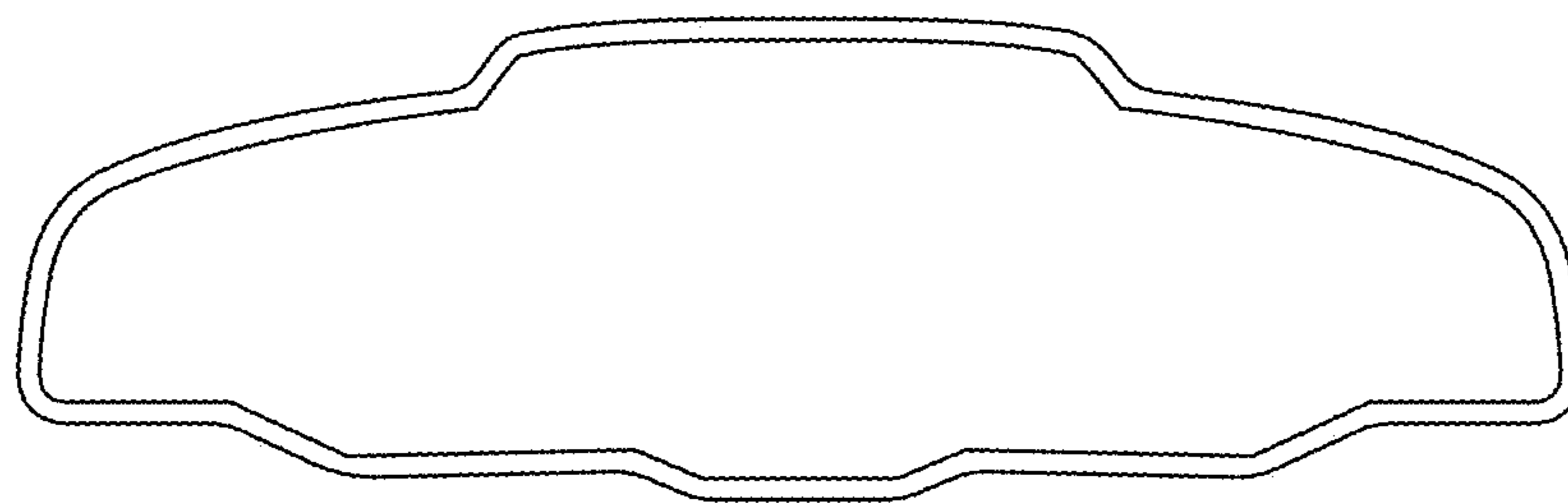


FIG. 7