



US00D913059S

(12) **United States Design Patent** (10) **Patent No.:** **US D913,059 S**
Mao (45) **Date of Patent:** **** Mar. 16, 2021**

(54) **PORTION OF AN EGG BREAKER DEVICE**
(71) Applicant: **Richard Mao**, Lutherville, MD (US)
(72) Inventor: **Richard Mao**, Lutherville, MD (US)
(**) Term: **15 Years**
(21) Appl. No.: **29/743,399**
(22) Filed: **Jul. 21, 2020**
(51) **LOC (13) Cl.** **07-04**
(52) **U.S. Cl.**
USPC **D7/693**
(58) **Field of Classification Search**
USPC D7/693, 669, 368
CPC A47J 43/14; A47J 43/145; A47J 43/28;
A47J 43/26; A47G 19/28; A23N 5/00
See application file for complete search history.

3,905,287 A * 9/1975 Vaca A47J 43/28
99/571
D272,224 S * 1/1984 Reinhard D7/695
9,808,122 B2 * 11/2017 Heyden A47J 43/14
2009/0107347 A1 * 4/2009 Vassallo A47J 43/14
99/495
2019/0274483 A1 * 9/2019 Tyler A47J 43/14

* cited by examiner

Primary Examiner — Terry A Wallace
(74) *Attorney, Agent, or Firm* — Offit Kurman, PA;
Gregory A. Grissett

(57) **CLAIM**

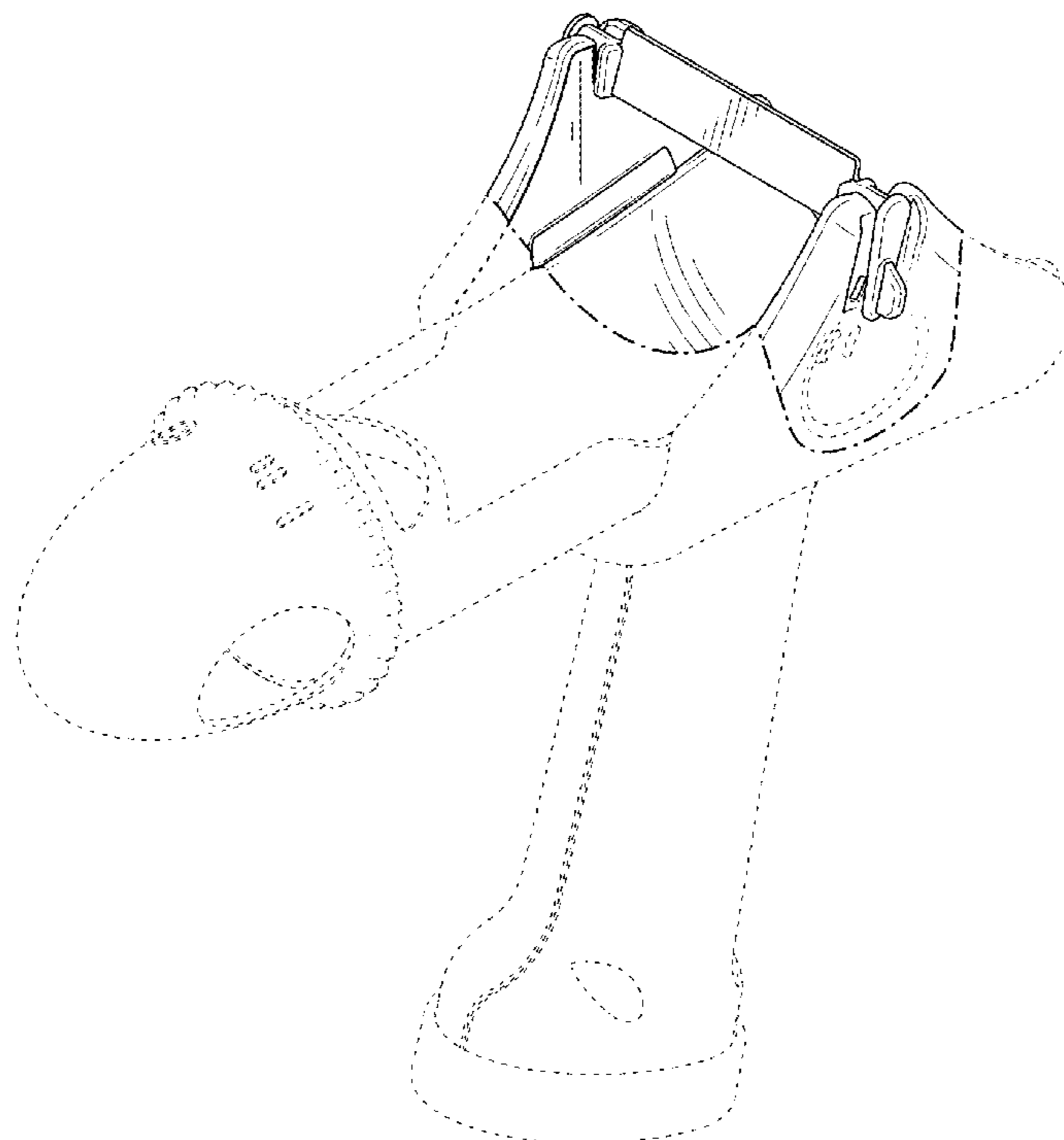
The ornamental design for a portion of an egg breaker device, as shown and described.

DESCRIPTION

FIG. 1 is a perspective front view for a portion of an egg breaker device showing my new design;
FIG. 2 is a perspective view thereof, showing a holder removed from a egg breaker device;
FIG. 3 is a front view thereof;
FIG. 4 is a rear view thereof;
FIG. 5 is a right view thereof;
FIG. 6 is a left view thereof;
FIG. 7 is a top view thereof; and,
FIG. 8 is a bottom view thereof.
The broken lines in the drawings depict portions of the portion of an egg breaker device which forms no part of the claimed design. The dash-dot-dot lines are included to show an unclaimed boundary.

(56) **References Cited**
U.S. PATENT DOCUMENTS
1,365,961 A * 1/1921 Becker A47J 43/14
99/582
1,870,741 A * 8/1932 Nels A47J 43/14
30/124
1,878,294 A * 9/1932 Regensburger A47J 43/14
99/497
2,505,717 A * 4/1950 Nels A47J 43/14
99/578
2,589,408 A * 3/1952 Le Boeuf A47J 43/14
99/582
2,706,507 A * 4/1955 Bartell A47J 43/14
30/367
2,789,602 A * 4/1957 Zagala A47J 43/14
30/120.1

1 Claim, 6 Drawing Sheets



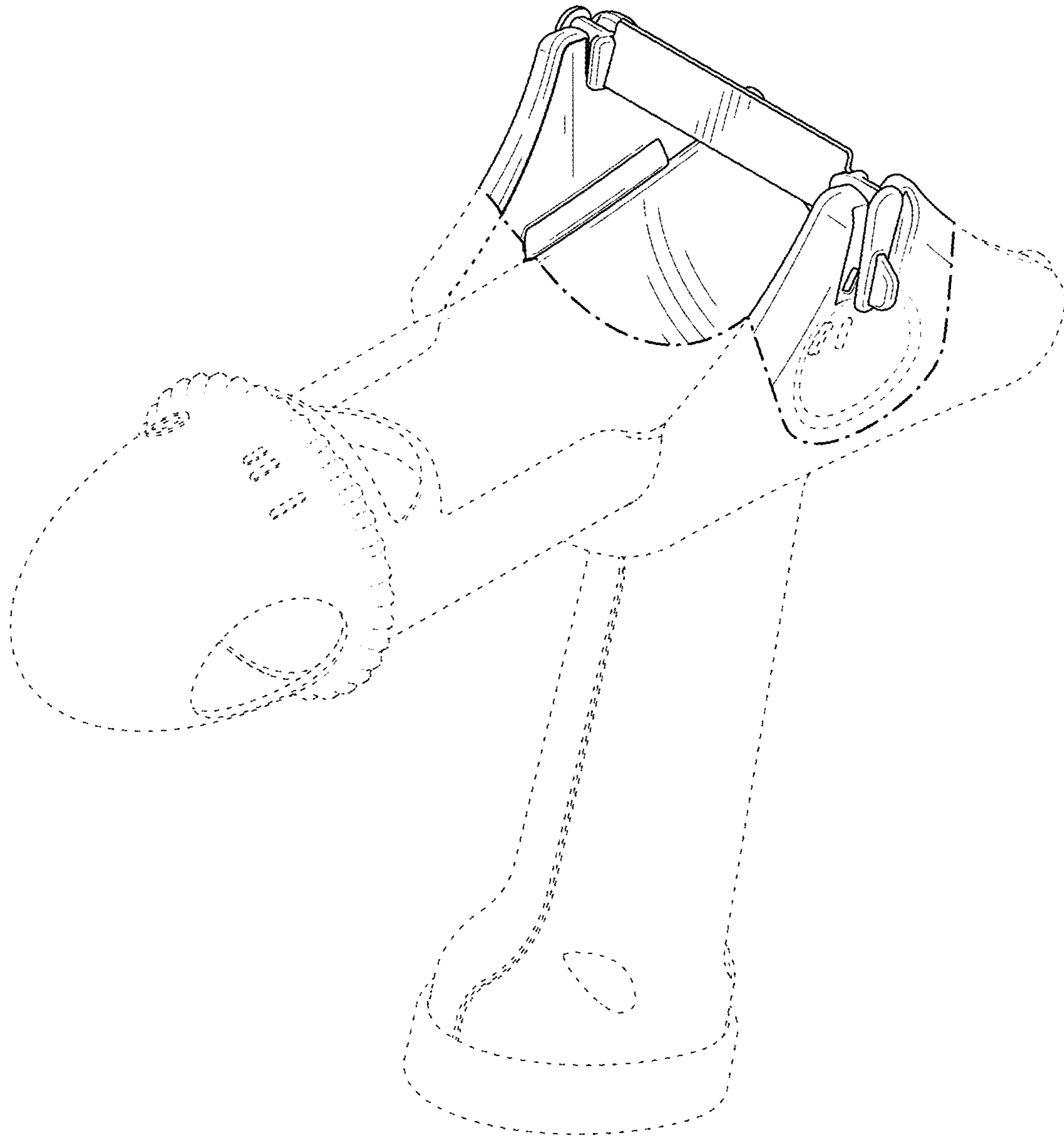


FIG. 1

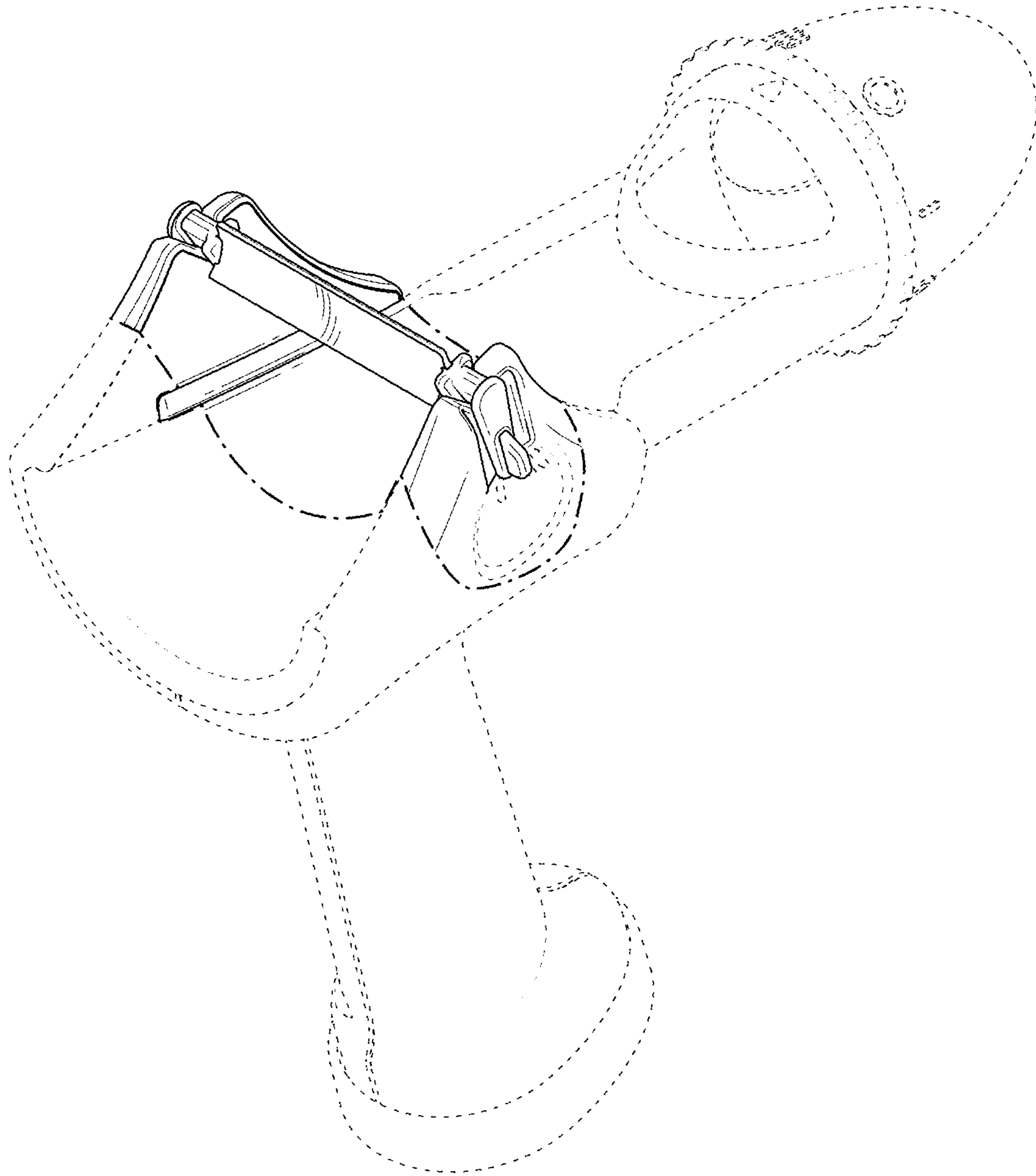


FIG. 2

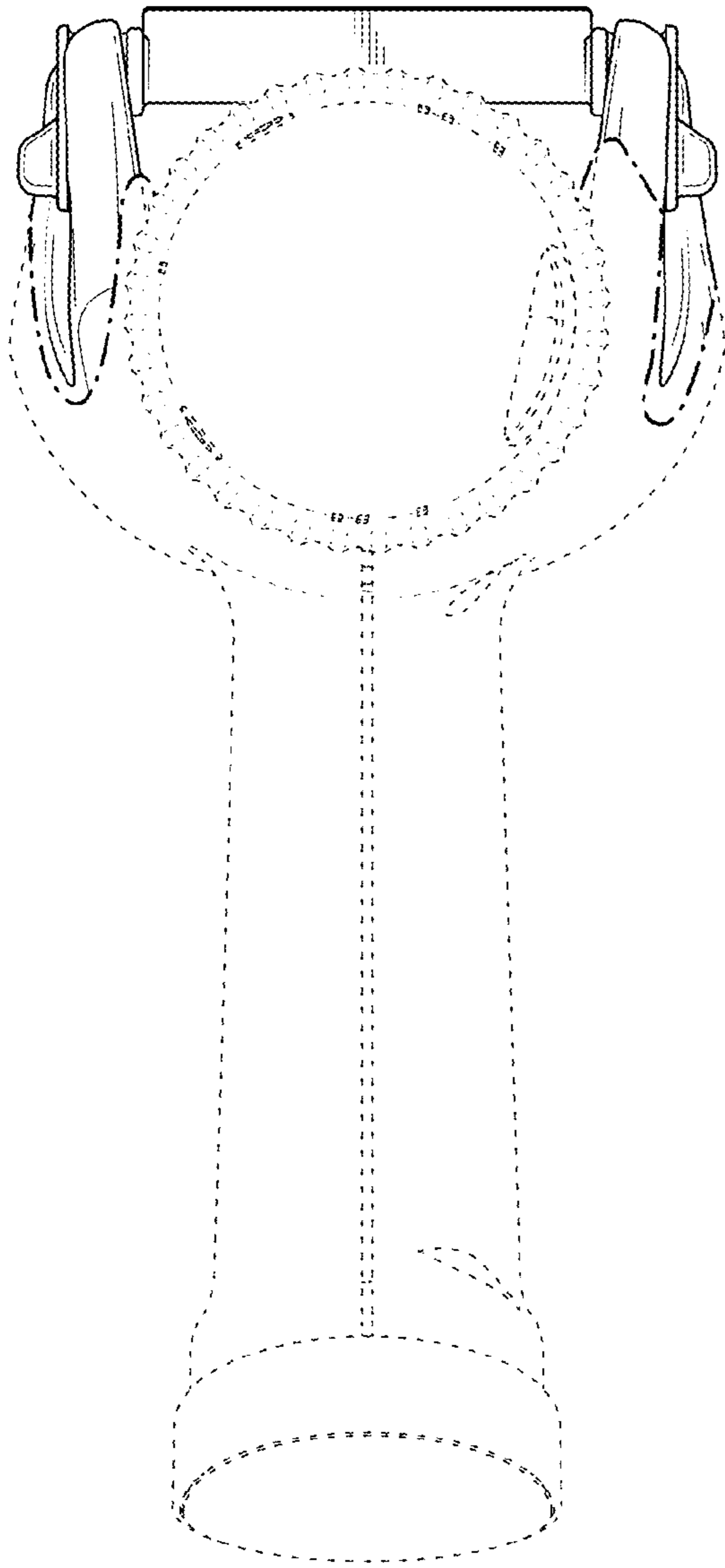


FIG. 3

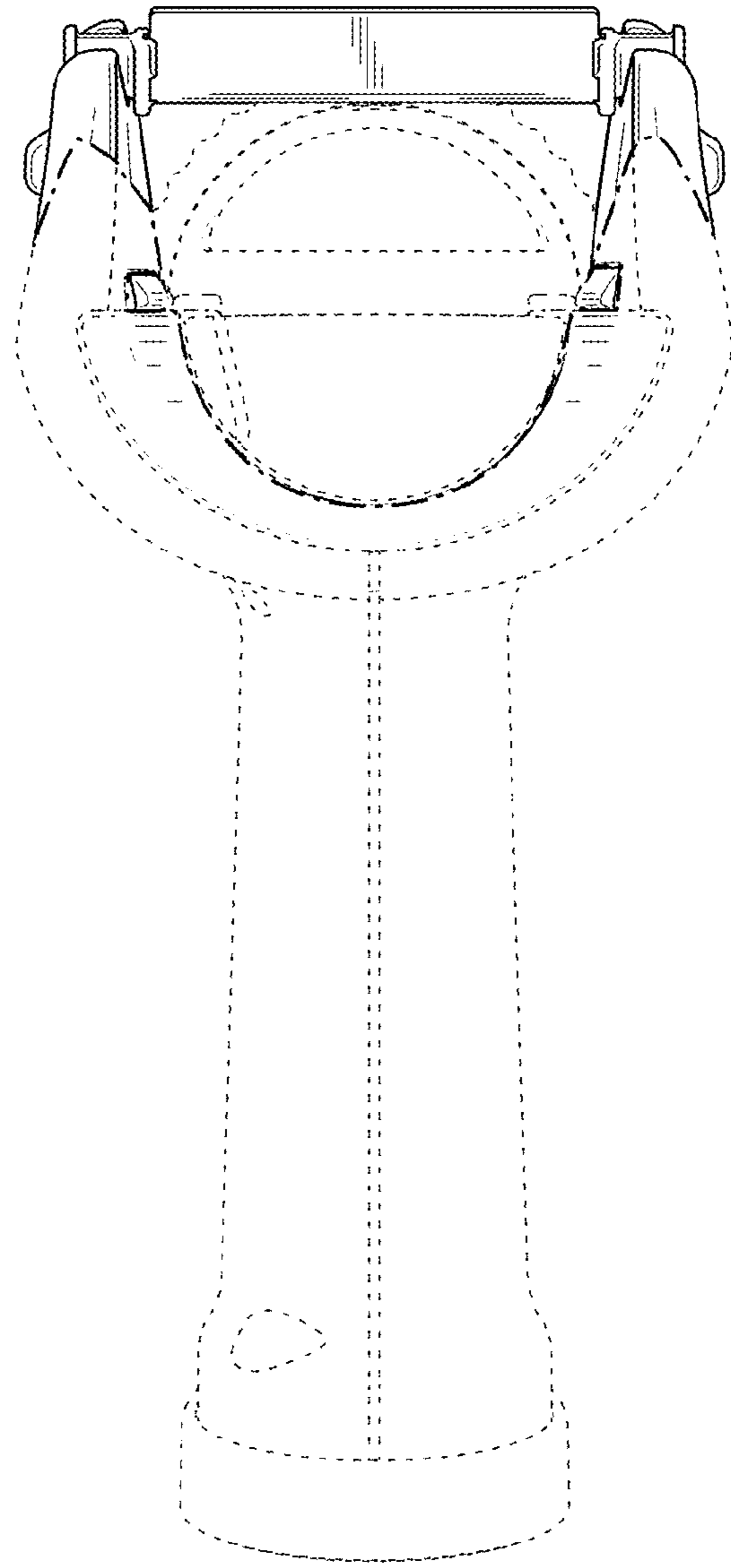


FIG. 4

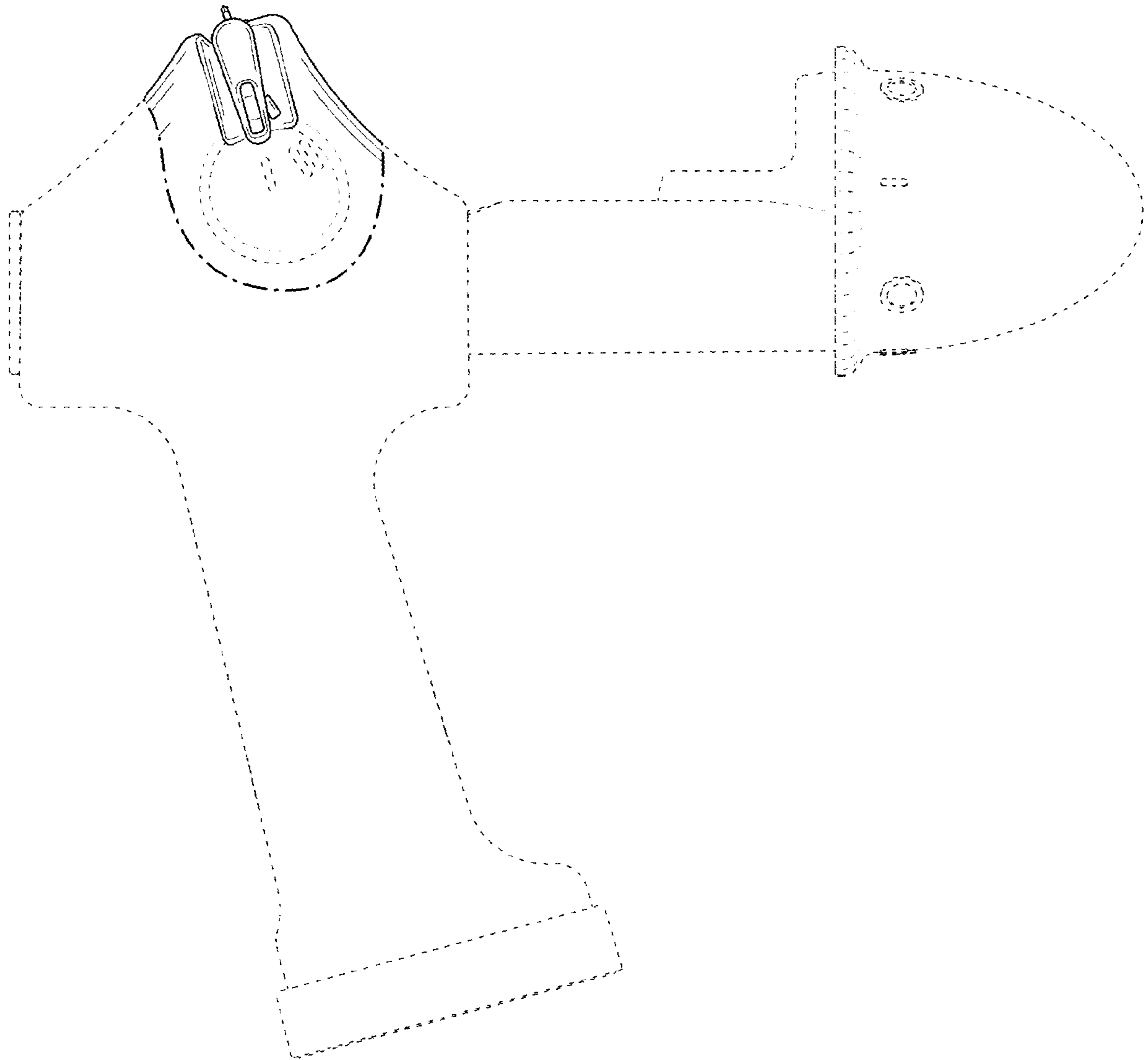


FIG. 5

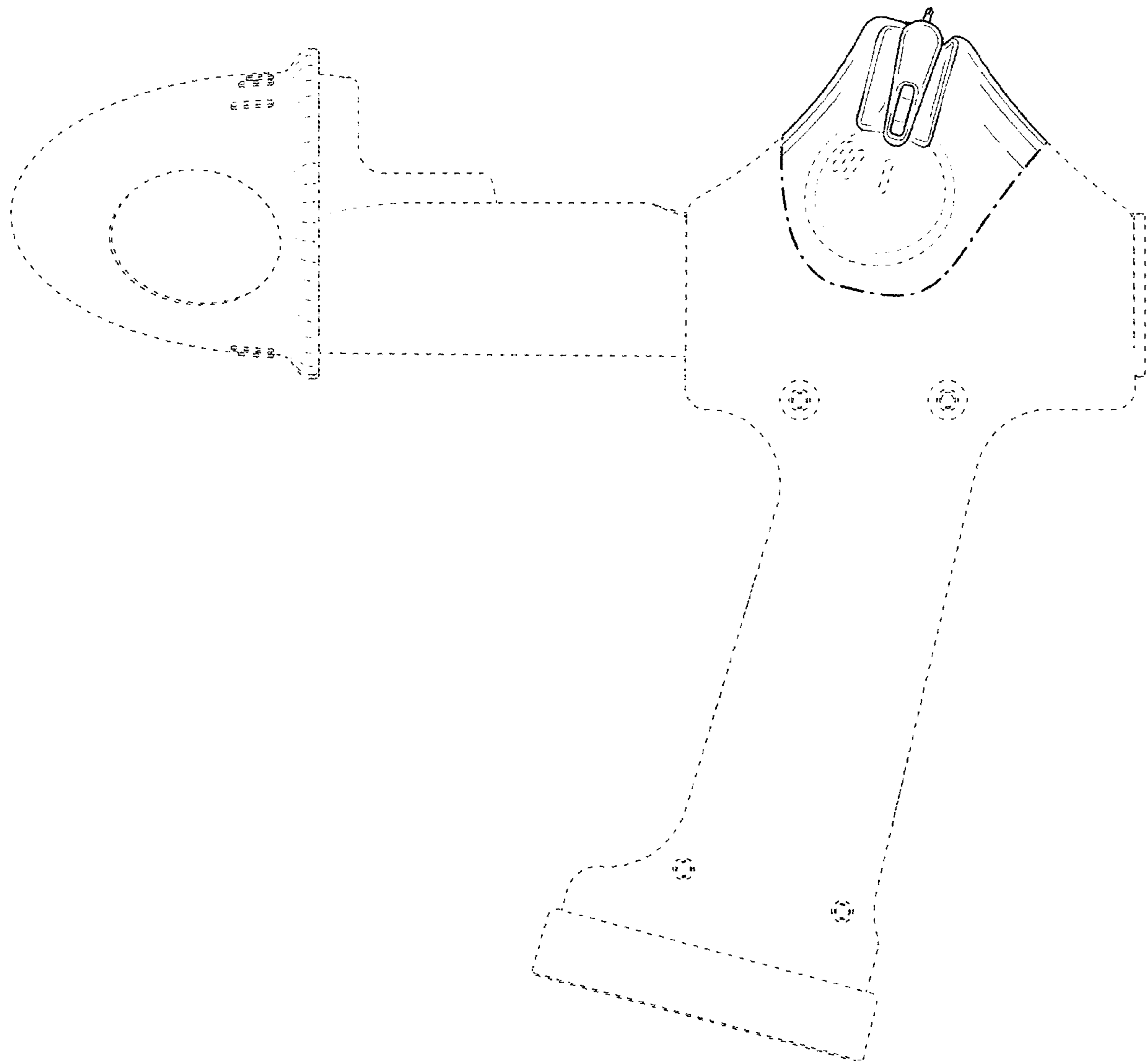


FIG. 6

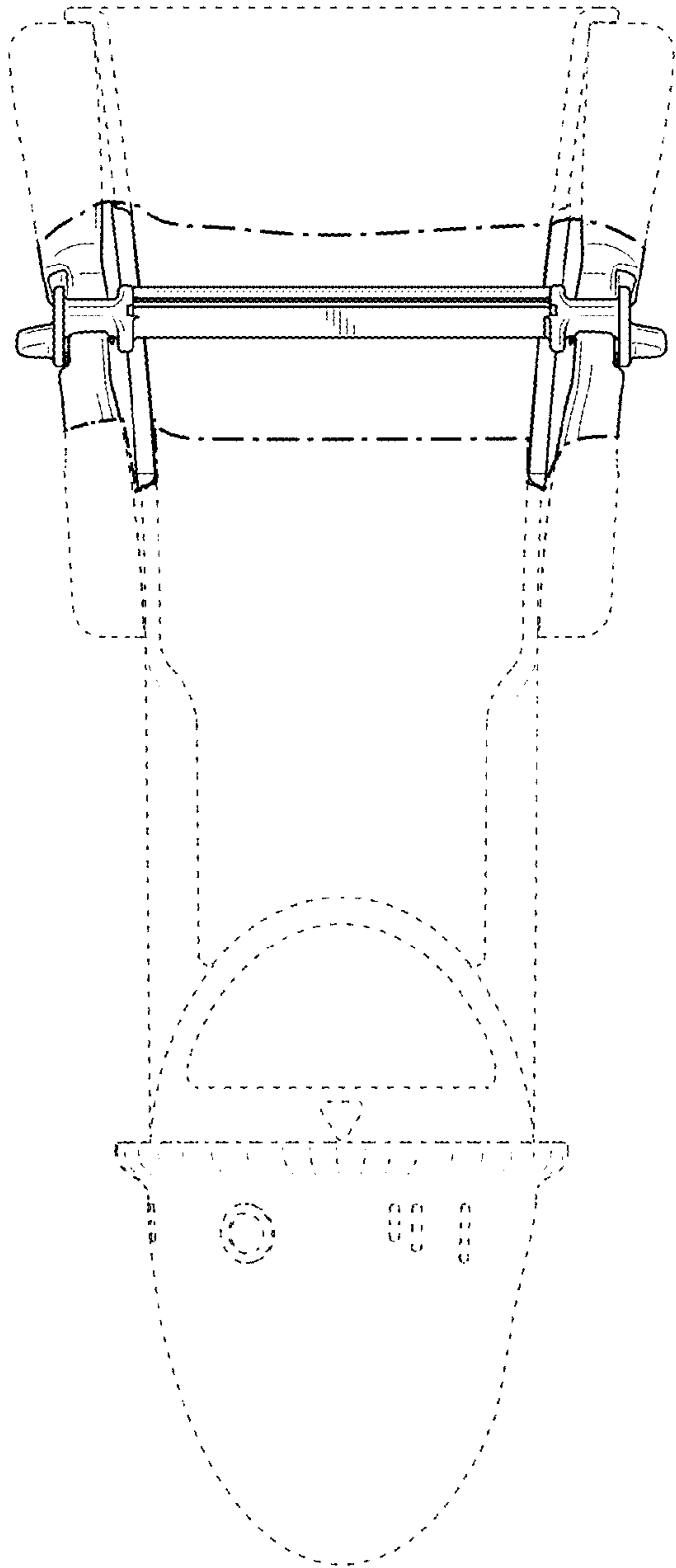


FIG. 7

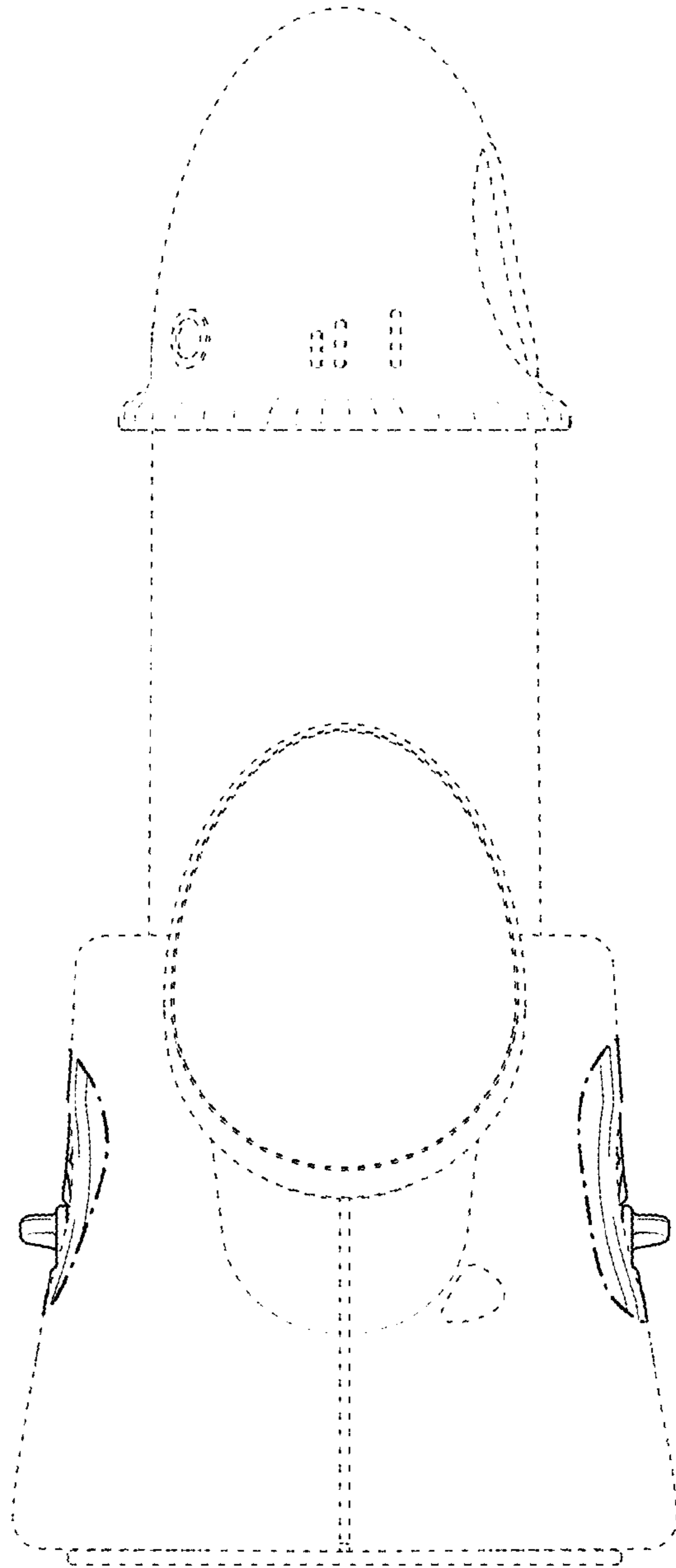


FIG. 8