



US00D913056S

(12) **United States Design Patent**
Huang

(10) **Patent No.:** **US D913,056 S**

(45) **Date of Patent:** **** Mar. 16, 2021**

- (54) **SLOTTED SPOON**
- (71) Applicant: **RAJESH KOTHAMASU**, Pradesh (IN)
- (72) Inventor: **Dahai Huang**, Anxi County (CN)
- (73) Assignee: **Rajesh Kothmasu**, Pradesh (IN)
- (**) Term: **15 Years**
- (21) Appl. No.: **29/732,858**
- (22) Filed: **Apr. 28, 2020**
- (51) **LOC (13) Cl.** **07-04**
- (52) **U.S. Cl.**
USPC **D7/692**
- (58) **Field of Classification Search**
USPC D7/669, 691, 692, 688, 689, 684
CPC A47J 43/288; A47J 43/283; A47J 43/281;
A47J 43/284; A47G 21/04
See application file for complete search history.

- D507,725 S 7/2005 White et al.
- D541,602 S 5/2007 Yu et al.
- D706,588 S * 6/2014 Hoyord D7/692
- D711,200 S * 8/2014 Hoyord D7/691
- D744,300 S 12/2015 Genatossio et al.
- D753,965 S * 4/2016 Schuler D7/692
- 2009/0121062 A1* 5/2009 Silver A47J 43/283
241/168

* cited by examiner

Primary Examiner — Terry A Wallace

(74) *Attorney, Agent, or Firm* — Law Offices Of Steven W. Weinrieb

(57) **CLAIM**

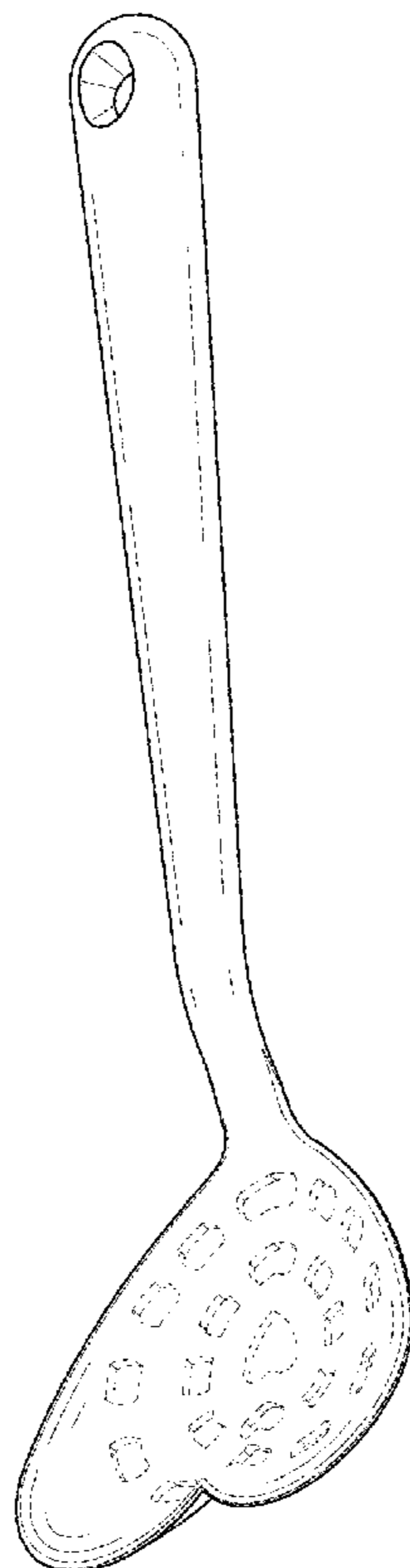
The ornamental design for a slotted spoon, as shown and described.

DESCRIPTION

FIG. 1 is a front, right side, top perspective view of a slotted spoon showing my new design;
 FIG. 2 is a front elevational view thereof;
 FIG. 3 is a rear elevational view thereof;
 FIG. 4 is a left side elevational view thereof;
 FIG. 5 is a right side elevational view thereof;
 FIG. 6 is a top plan view thereof; and,
 FIG. 7 is a bottom plan view thereof.
 The broken lines depict portions of the slotted spoon that form no part of the claimed design.

1 Claim, 7 Drawing Sheets

- (56) **References Cited**
U.S. PATENT DOCUMENTS
- D255,971 S * 7/1980 Kelly D7/692
- D272,118 S 1/1984 Steiner
- D293,066 S 12/1987 Ferm et al.
- D367,406 S * 2/1996 Ancona D7/691
- D398,197 S * 9/1998 Deglon D7/689
- D477,972 S 8/2003 Schulein
- D489,584 S 5/2004 Cohen et al.



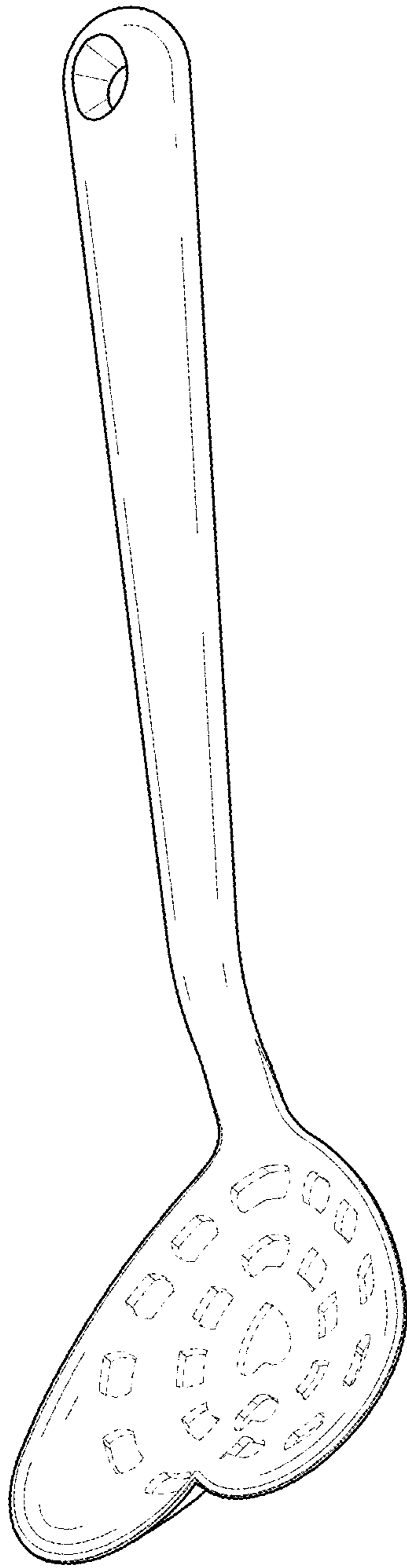


FIG. 1

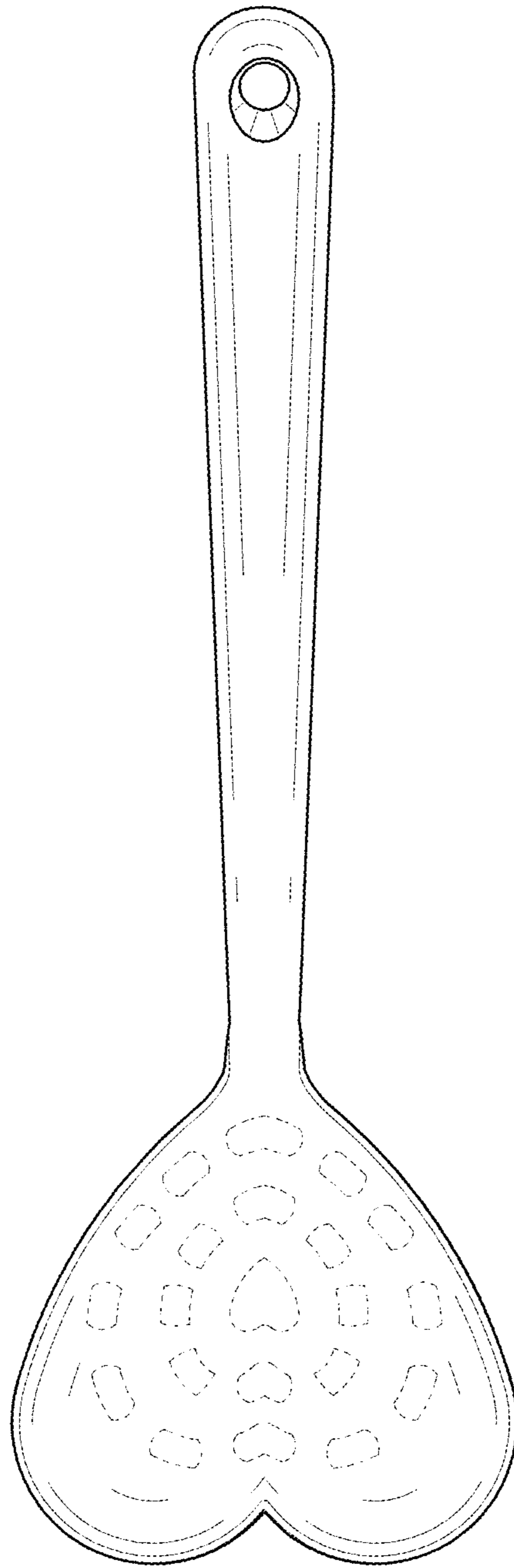


FIG. 2

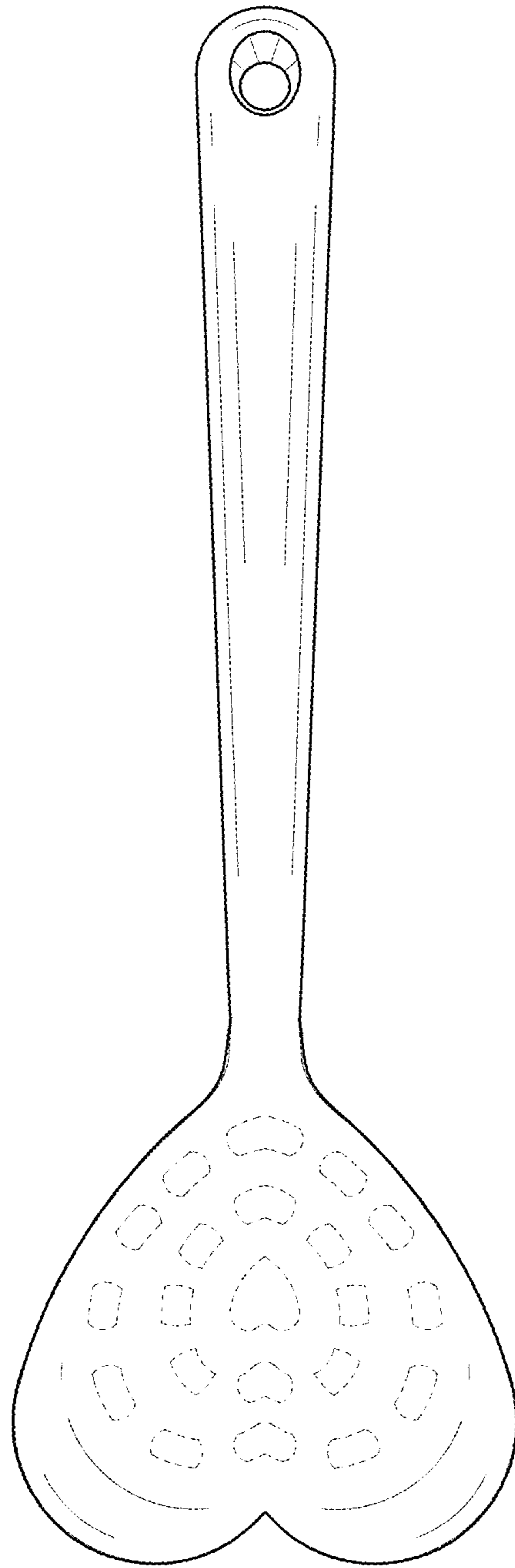


FIG. 3

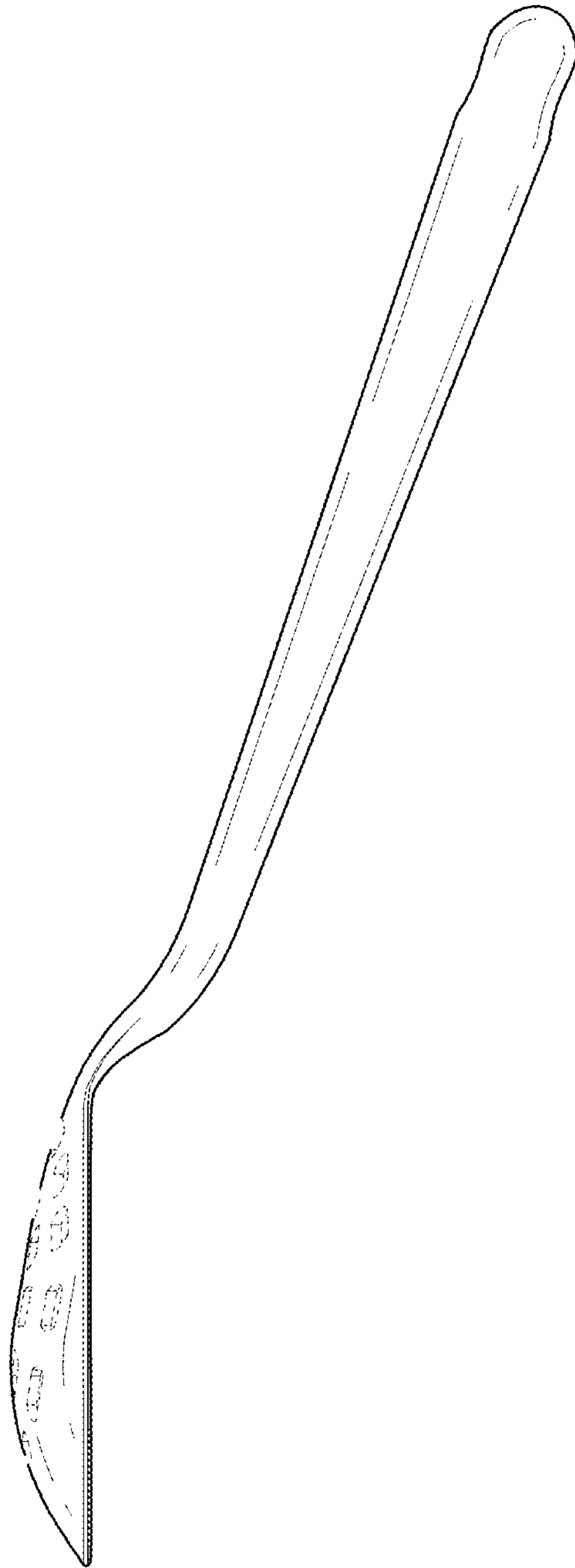


FIG. 4

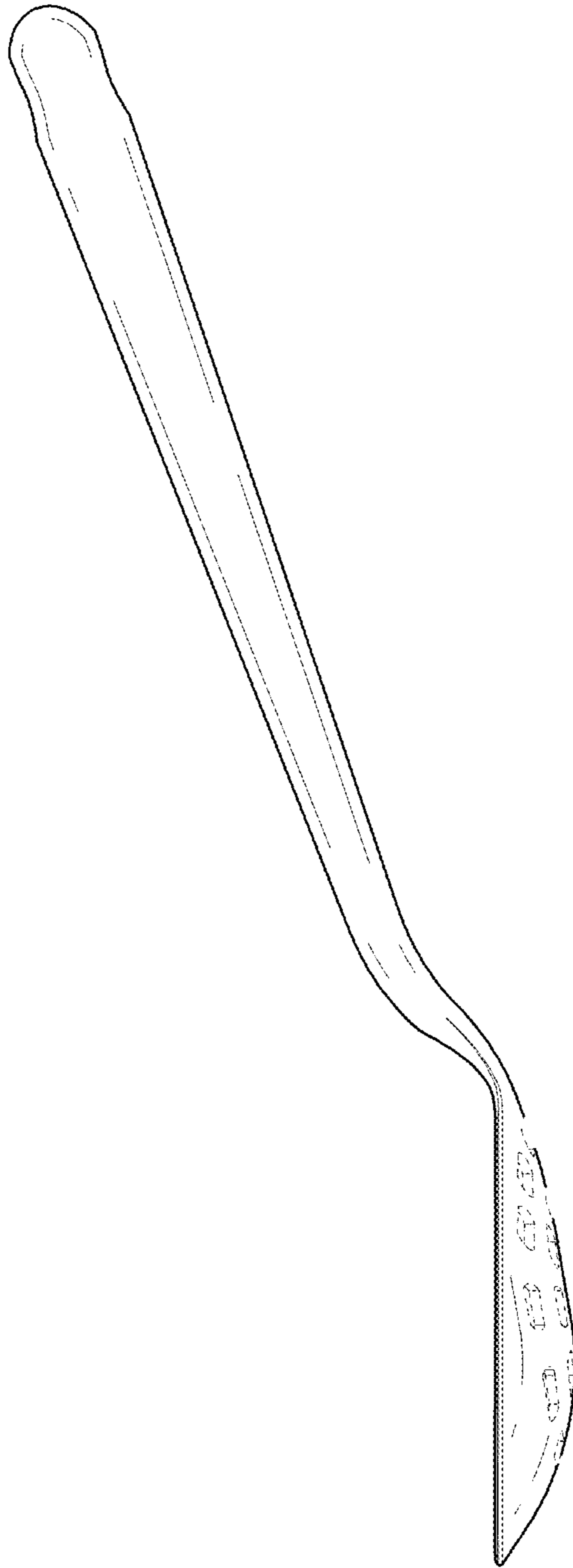


FIG. 5

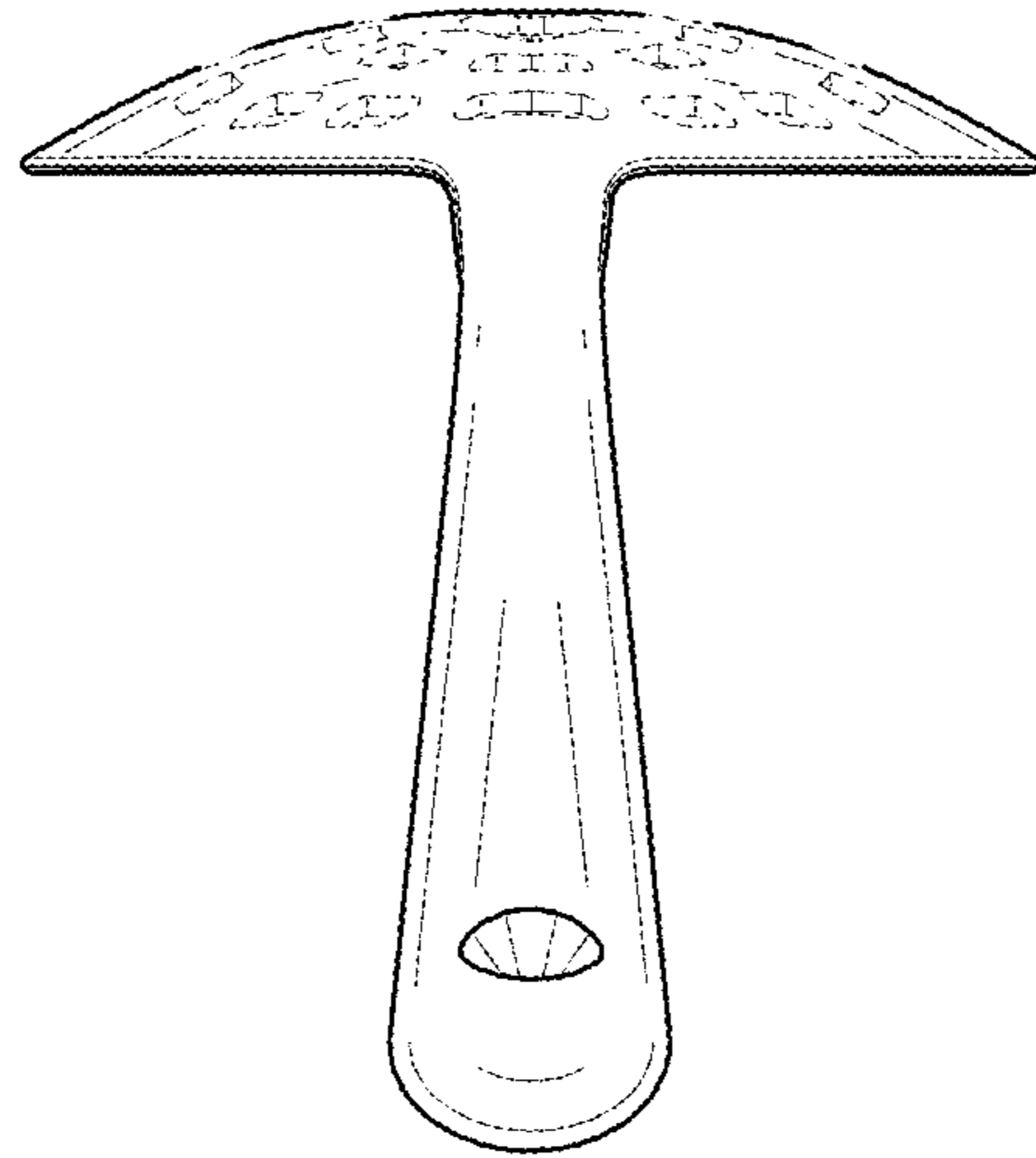


FIG. 6

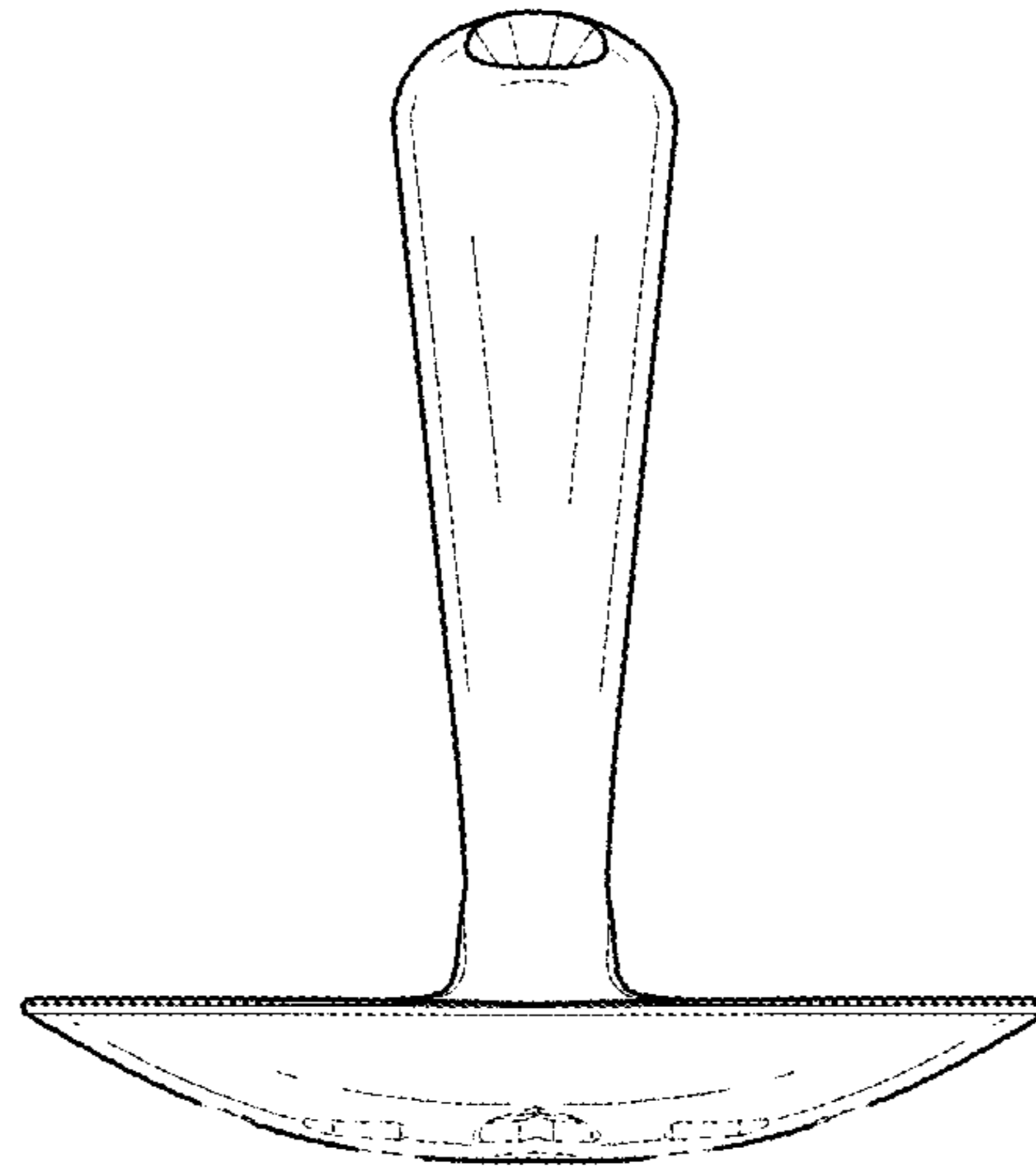


FIG. 7