



US00D913055S

(12) **United States Design Patent** (10) **Patent No.:** **US D913,055 S**
Lacotta et al. (45) **Date of Patent:** **** Mar. 16, 2021**

- (54) **SPATULA**
- (71) Applicants: **Paul Lacotta**, Tenafly, NJ (US); **Lance Hazelton**, Maplewood, NJ (US); **Phillip Shook**, Brooklyn, NY (US)
- (72) Inventors: **Paul Lacotta**, Tenafly, NJ (US); **Lance Hazelton**, Maplewood, NJ (US); **Phillip Shook**, Brooklyn, NY (US)
- (73) Assignee: **Helen of Troy Limited**, St. Michael (BB)
- (**) Term: **15 Years**
- (21) Appl. No.: **29/702,408**
- (22) Filed: **Aug. 19, 2019**
- (51) **LOC (13) Cl.** **07-02**
- (52) **U.S. Cl.**
USPC **D7/688**
- (58) **Field of Classification Search**
USPC D7/368, 380, 393, 395, 669, 680-696,
D7/642, 643, 653; D32/40, 46; D15/11;
D8/1, 10, 14, 16, 47, 88, 89, 105
CPC A47J 43/282; A47J 43/288; A47J 43/283;
A47J 43/281; A23G 3/563; A47G 21/04
See application file for complete search history.

(56) **References Cited**

U.S. PATENT DOCUMENTS

- 2,505,122 A * 4/1950 Krieger, Jr. A47G 21/04
30/324
- 2,636,266 A * 4/1953 Sweet A47G 21/04
30/324
- D172,806 S * 8/1954 Reinecke D7/653
- D256,212 S * 8/1980 Richmond D7/644
- D473,762 S * 4/2003 Kerr D7/688

- D545,640 S * 7/2007 Ridsen D7/653
- D587,537 S * 3/2009 Vendl D7/688
- D606,372 S * 12/2009 Gorskey D7/688
- D628,448 S * 12/2010 Genatossio D7/691
- D717,618 S * 11/2014 Masalin D8/10
- D755,590 S * 5/2016 Salojarvi D8/10
- D782,255 S * 3/2017 Humphreys D7/653
- D830,139 S * 10/2018 Li D7/688
- D876,183 S * 2/2020 Yee D7/691

OTHER PUBLICATIONS

Norpro® 3-Piece Silicone Spatula Set in Red. Online, published date 2018. Retrieved on Nov. 3, 2020 from URL: <https://www.bedbathandbeyond.com/store/product/norpro-reg-3-piece-silicone-spatula-set-in-red/5030506>.
<https://www.oxacom/medium-silicone-spoon-spatula-blue.html>, publicly available prior to Aug. 19, 2019.

* cited by examiner

Primary Examiner — Susan Bennett Hattan
Assistant Examiner — Omeed Agilee
(74) *Attorney, Agent, or Firm* — Rankin, Hill & Clark LLP

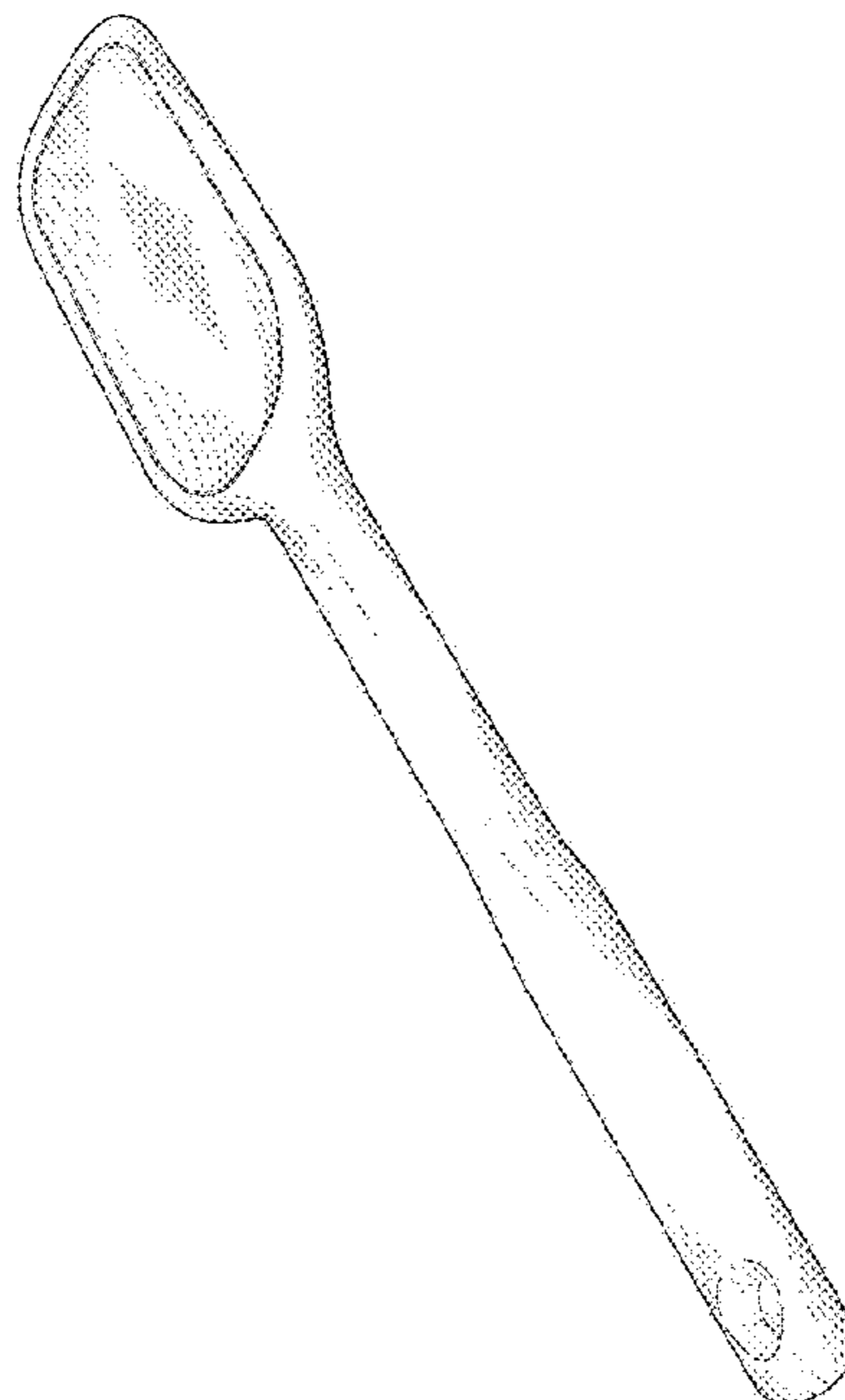
(57) **CLAIM**

The ornamental design for a spatula, as shown, and described.

DESCRIPTION

FIG. 1 is a perspective view of a spatula;
FIG. 2 is a front view thereof;
FIG. 3 is a rear view thereof;
FIG. 4 is a right elevation view thereof, the left elevation view being a mirror image thereof;
FIG. 5 is a top plan view thereof; and,
FIG. 6 is a bottom plan view thereof.

1 Claim, 6 Drawing Sheets



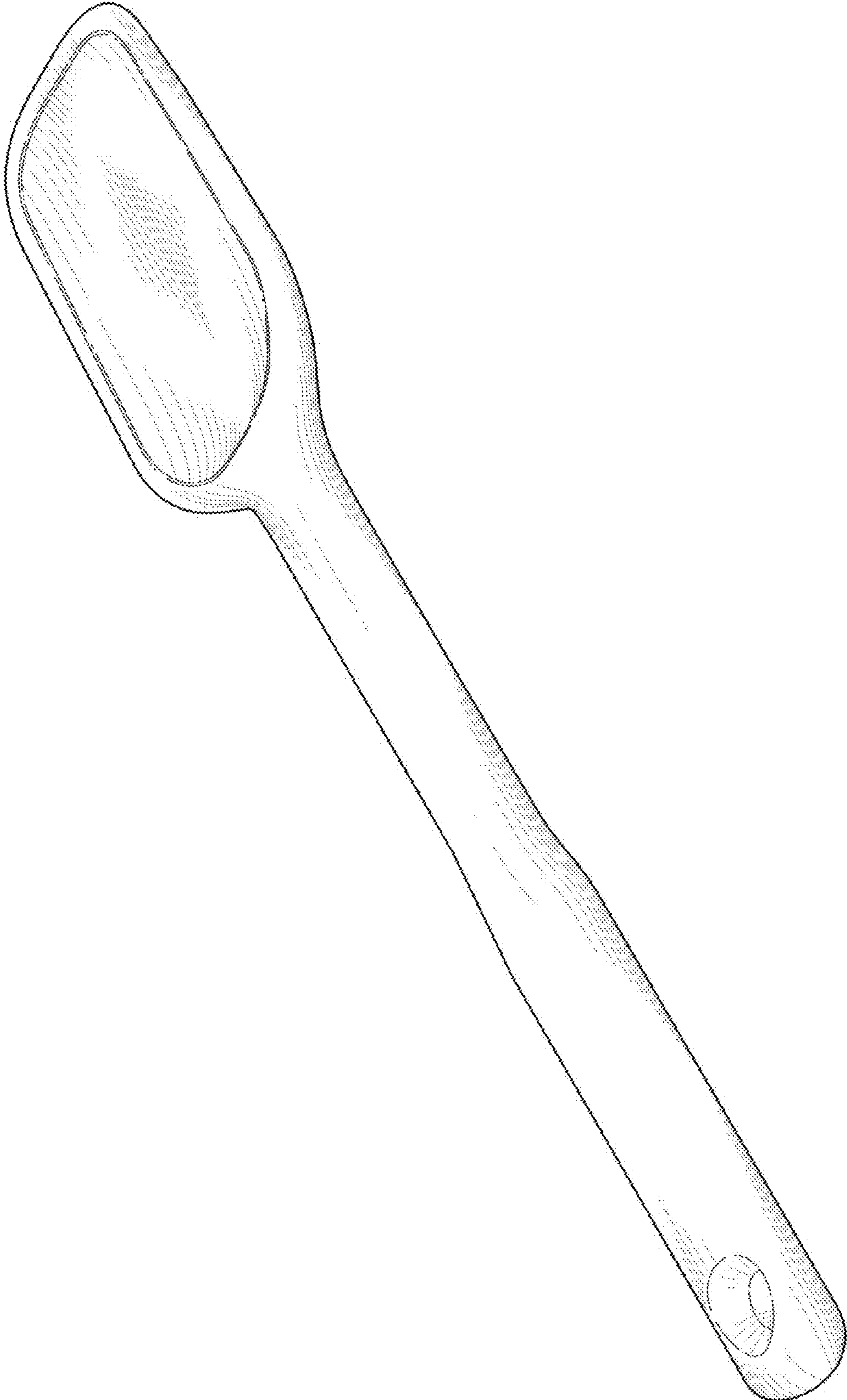


FIG. 1

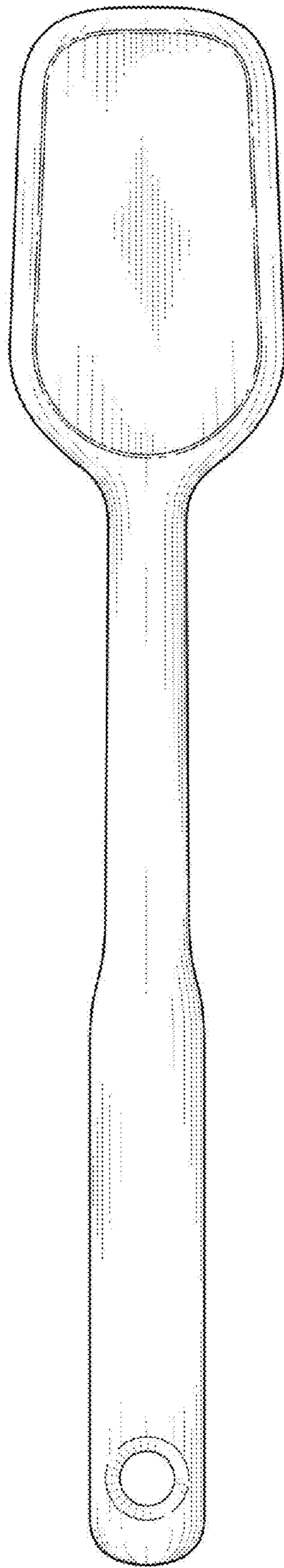


FIG. 2

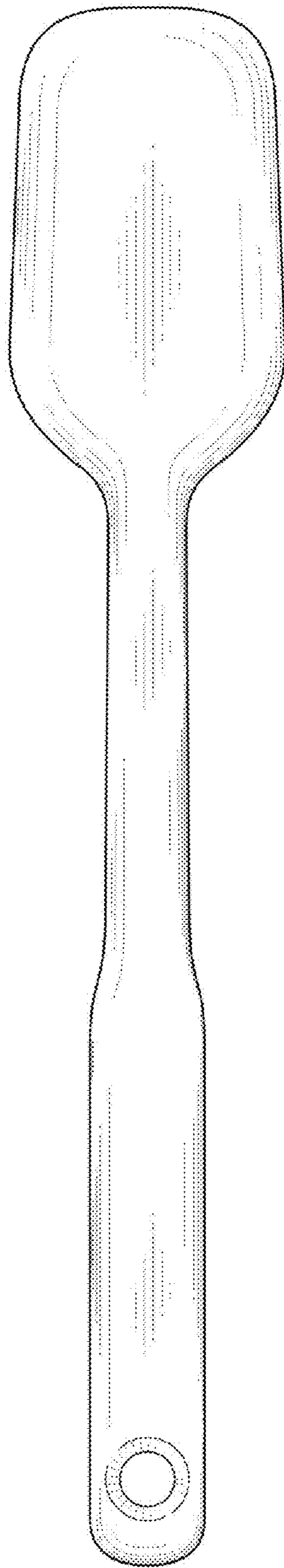


FIG. 3

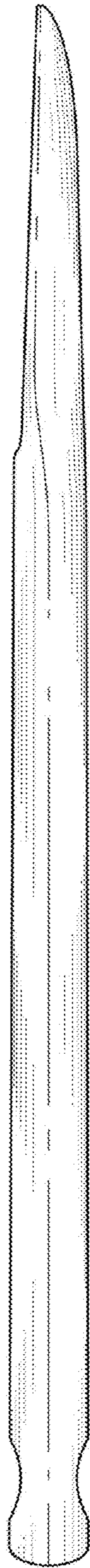


FIG. 4

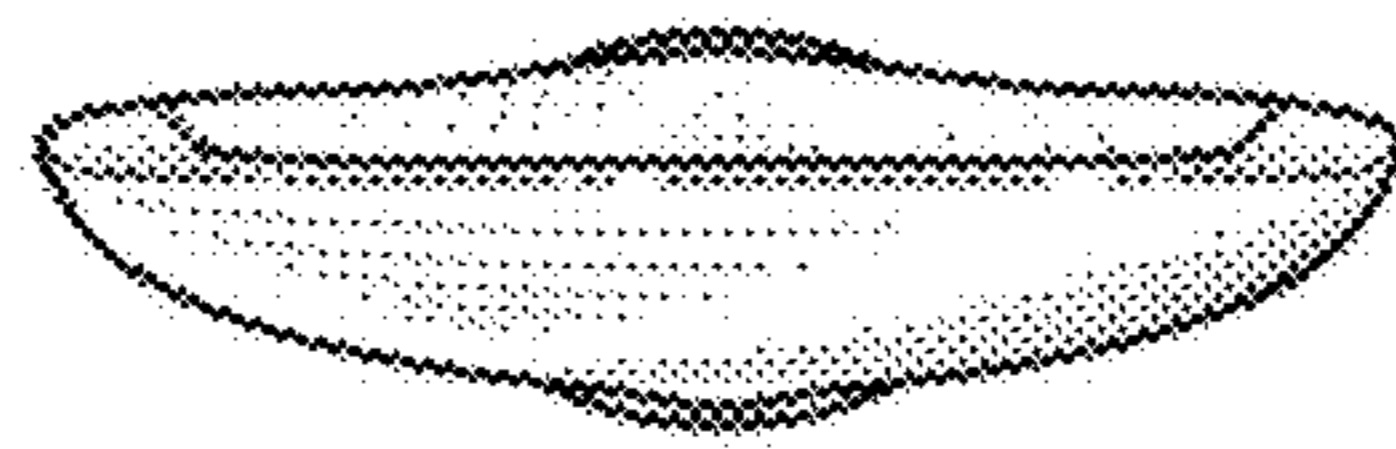


FIG. 5

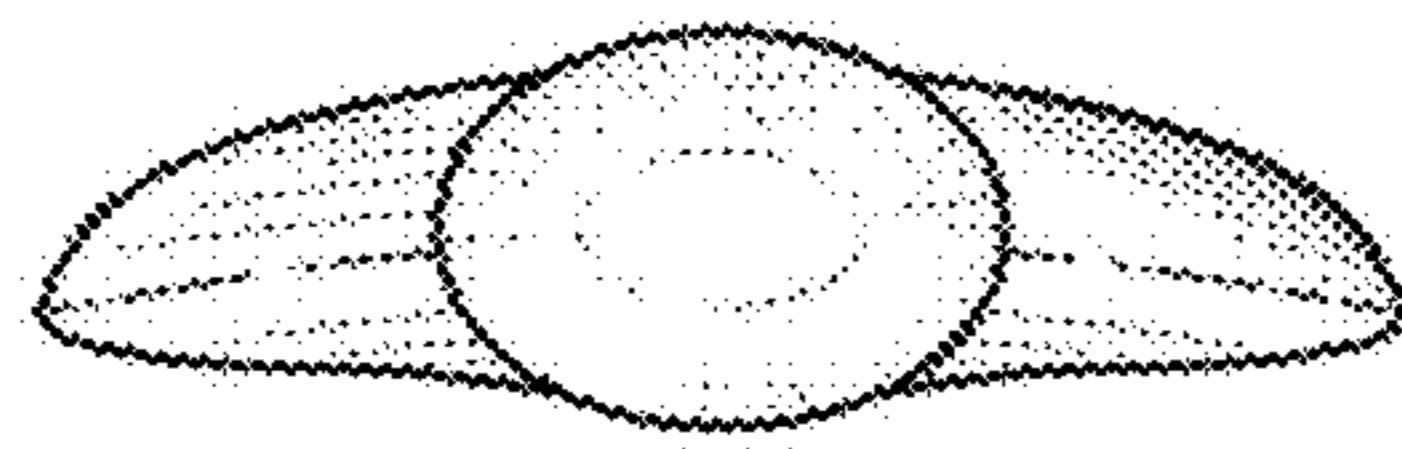


FIG. 6