



US00D913054S

(12) **United States Design Patent** (10) **Patent No.:** **US D913,054 S**  
**Cloutier** (45) **Date of Patent:** **\*\* Mar. 16, 2021**

(54) **STANDING GRATER** D343,098 S \* 1/1994 Shun ..... A47J 43/25  
D7/678  
(71) Applicant: **Magellan Home-Goods, Ltd.**, Blaine, WA (US) 5,711,491 A \* 1/1998 Molo ..... A47J 43/25  
241/95  
(72) Inventor: **Andre Dean Cloutier**, Blaine, WA (US) 2002/0174754 A1 11/2002 Vincent  
2010/0180780 A1 7/2010 Beckmann  
2012/0312908 A1 12/2012 Kent  
2014/0246527 A1\* 9/2014 Lee ..... A47J 43/25  
241/95

(73) Assignee: **Magellan Home-Goods, Ltd.**, Blaine, WA (US)

(\*\*) Term: **15 Years**

(21) Appl. No.: **29/690,694**

(22) Filed: **May 9, 2019**

(51) **LOC (13) Cl.** ..... **07-04**

(52) **U.S. Cl.**  
USPC ..... **D7/678**

(58) **Field of Classification Search**  
USPC ..... D7/678, 693, 672-677, 381  
CPC ... B26D 1/30; B26D 3/20; B26D 3/26; B26D 3/185; B26D 3/283; B26D 5/00; B26D 7/00; B26D 7/18; B26D 7/01; A47J 45/063; A47J 43/25; A47J 43/00; A47J 43/255; A47J 19/04; A47J 17/02; A47J 17/04

See application file for complete search history.

(56) **References Cited**

U.S. PATENT DOCUMENTS

411,568 A 9/1889 Becker  
1,652,544 A \* 12/1927 Tanquary ..... A47J 43/25  
269/6  
2,447,714 A 8/1948 Dennis  
3,121,450 A \* 2/1964 Cronheim ..... A47J 43/25  
241/101.01  
3,416,584 A 12/1968 Rowley  
4,572,443 A 2/1986 Coleman

OTHER PUBLICATIONS

U.S. Appl. No. 15/983,556, filed May 18, 2018, Andre Dean Cloutier.

U.S. Appl. No. 29/690,694, filed May 9, 2019, Andre Dean Cloutier.

(Continued)

Primary Examiner — Terry A Wallace

(74) Attorney, Agent, or Firm — Schacht Law Office, Inc.; Dwayne Rogge

(57) **CLAIM**

The ornamental design for a standing grater, as shown and described.

**DESCRIPTION**

FIG. 1 is an isometric view of the standing grater showing the new design.

FIG. 2 is a top view thereof.

FIG. 3 is an enlarged view of the region 2A of FIG. 2.

FIG. 4 is a bottom view thereof.

FIG. 5 is an enlarged view of the region 3A of FIG. 3.

FIG. 6 is a first side view thereof.

FIG. 7 is a second side view thereof.

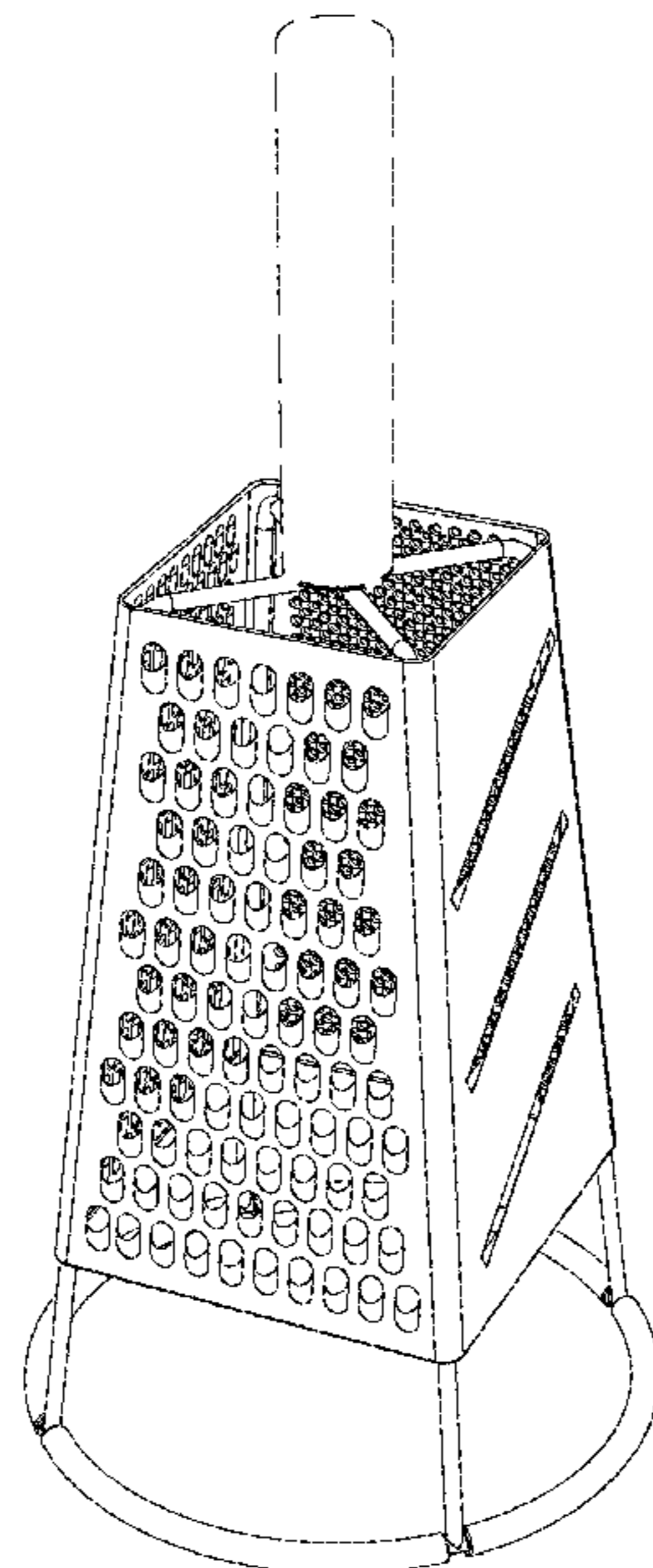
FIG. 8 is an enlarged view of the region 5A of FIG. 5.

FIG. 9 is a third side view thereof; and,

FIG. 10 is a fourth side view thereof.

Broken lines show illustrated portions of the standing grater that form no part of the claimed design.

**1 Claim, 4 Drawing Sheets**



(56)

**References Cited**

OTHER PUBLICATIONS

LIVELIFEFULLYCOACHING8, “Vintage In-Genia Imported Folding Grater With Tray Italy NIB Rare A141-119”, 2017, eBay, [https://www.ebay.com/itm/Vintage-In-Genia-Imported-Folding-Grater-With-Tray-Italy-NIB-Rare-A141-119-/142526472029?\\_trksid=p2385738.m4383.l4275.c10](https://www.ebay.com/itm/Vintage-In-Genia-Imported-Folding-Grater-With-Tray-Italy-NIB-Rare-A141-119-/142526472029?_trksid=p2385738.m4383.l4275.c10) (Year: 2017), 4 pages.

Melvin Ong, “Quirky Grip Grater Stainless Steel”, 2013, YouTube, <https://www.youtube.com/watch?v=GuLIZ4GXYVw> (Year: 2013), 1 page.

Quirky “Grip Grater”, 2016, <https://shop-uk.quirky.com/products/grip-grater> (Year: 2016), 3 pages.

San Mateo County History Museum, ““In-Genia” Cheese Grater, c. 1050’s”, 1950, <https://historysmc.pastperfectonline.com/webobject/21AB2B07-1E79-4492-BA5F-461268037269> (Year: 1950), 2 pages.

\* cited by examiner

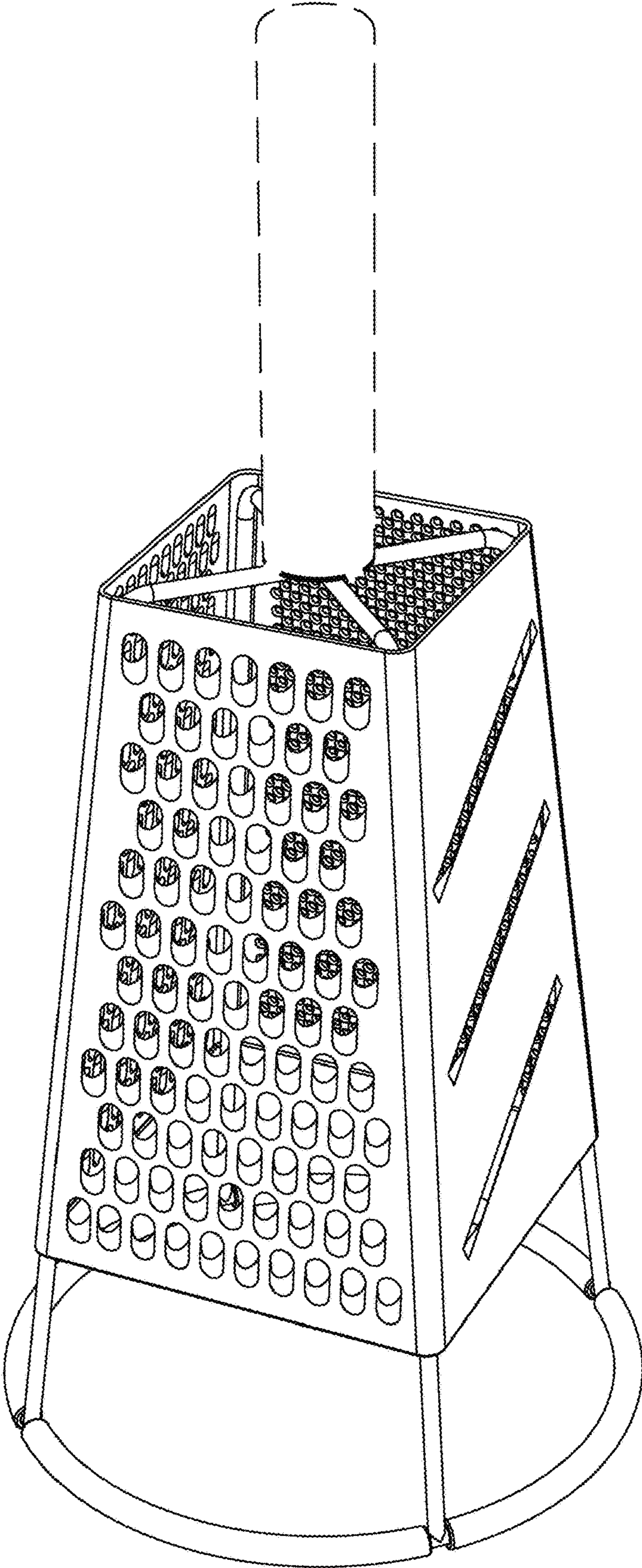


Fig. 1

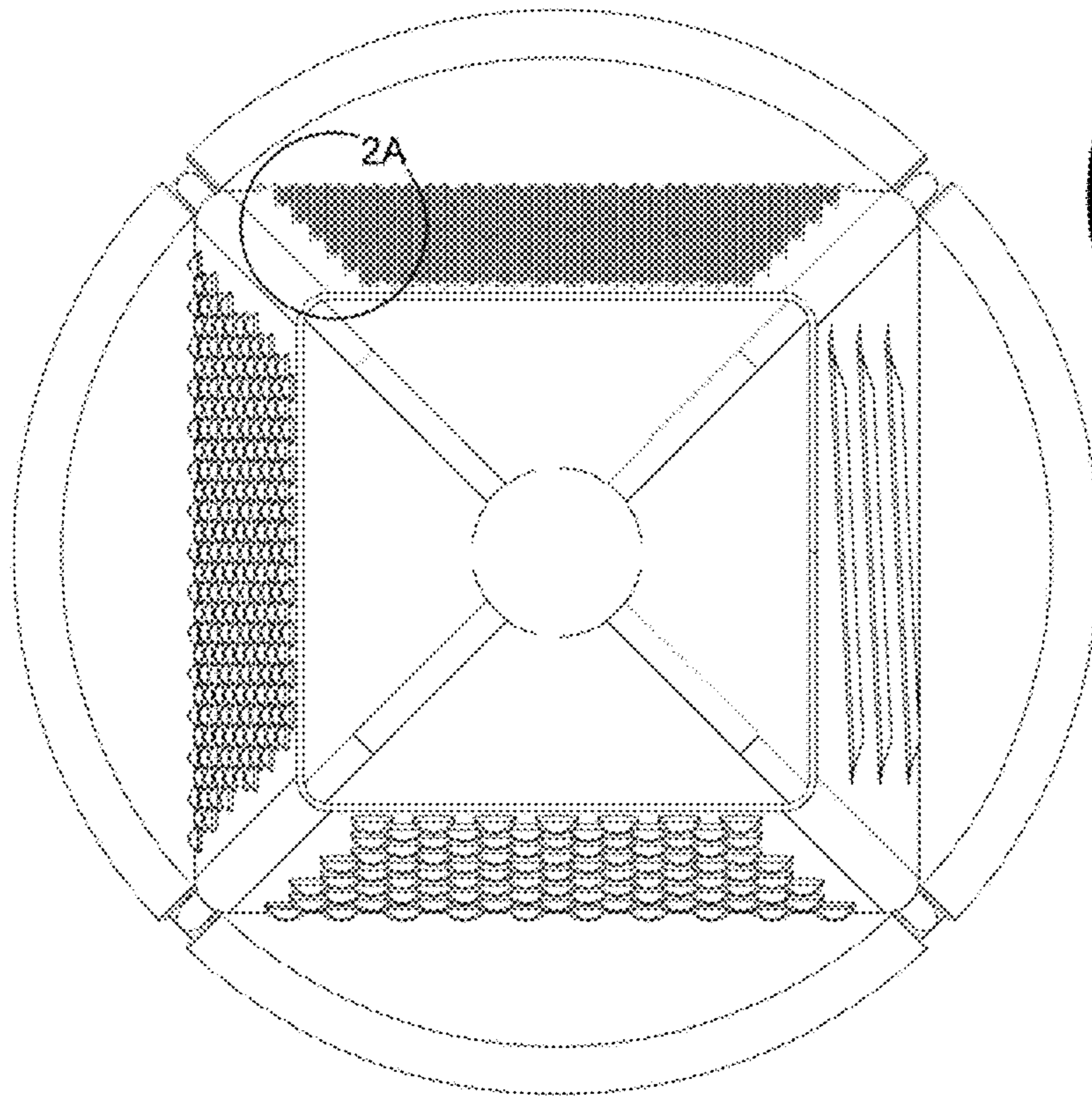


Fig. 2

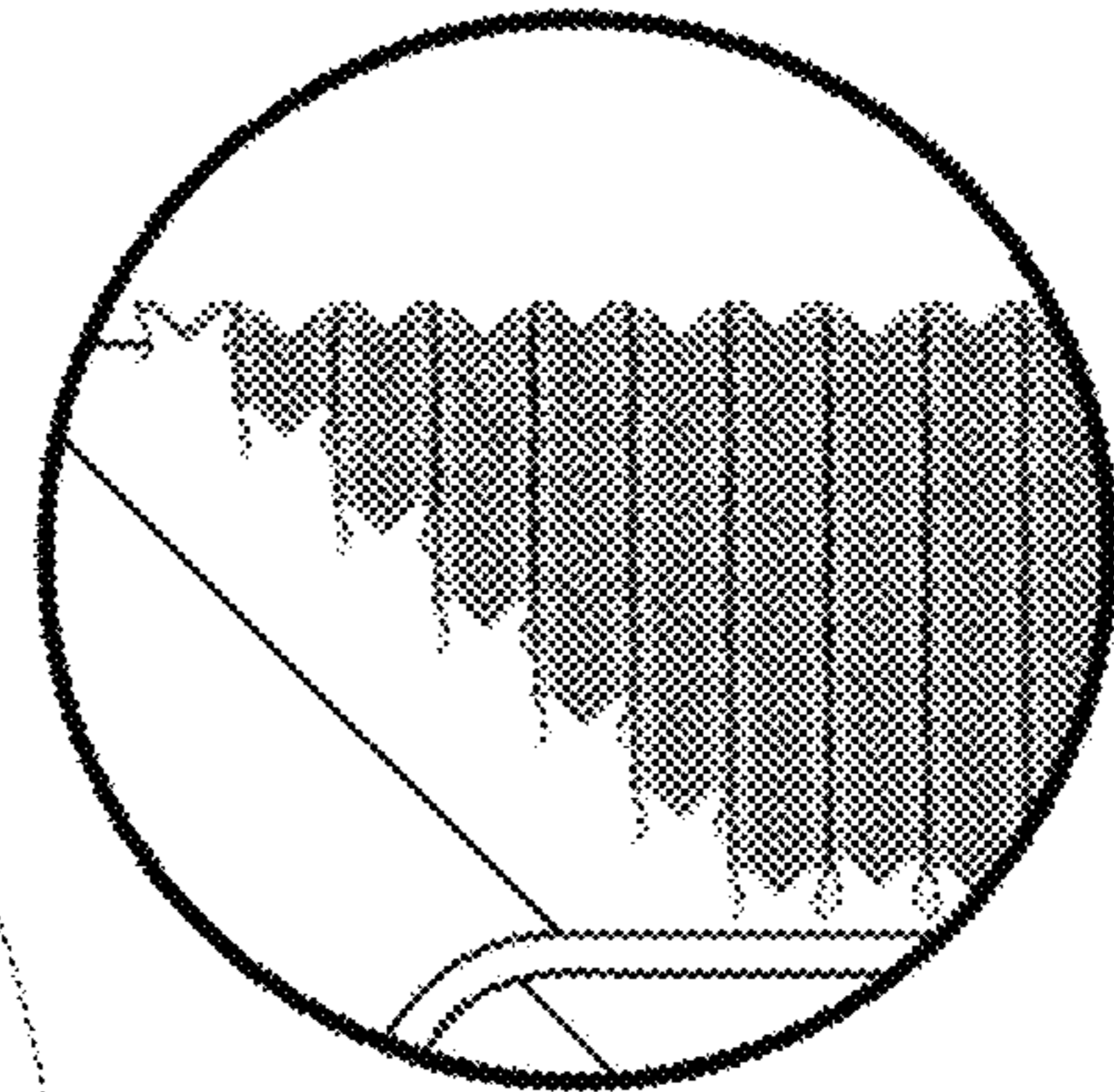


Fig. 3

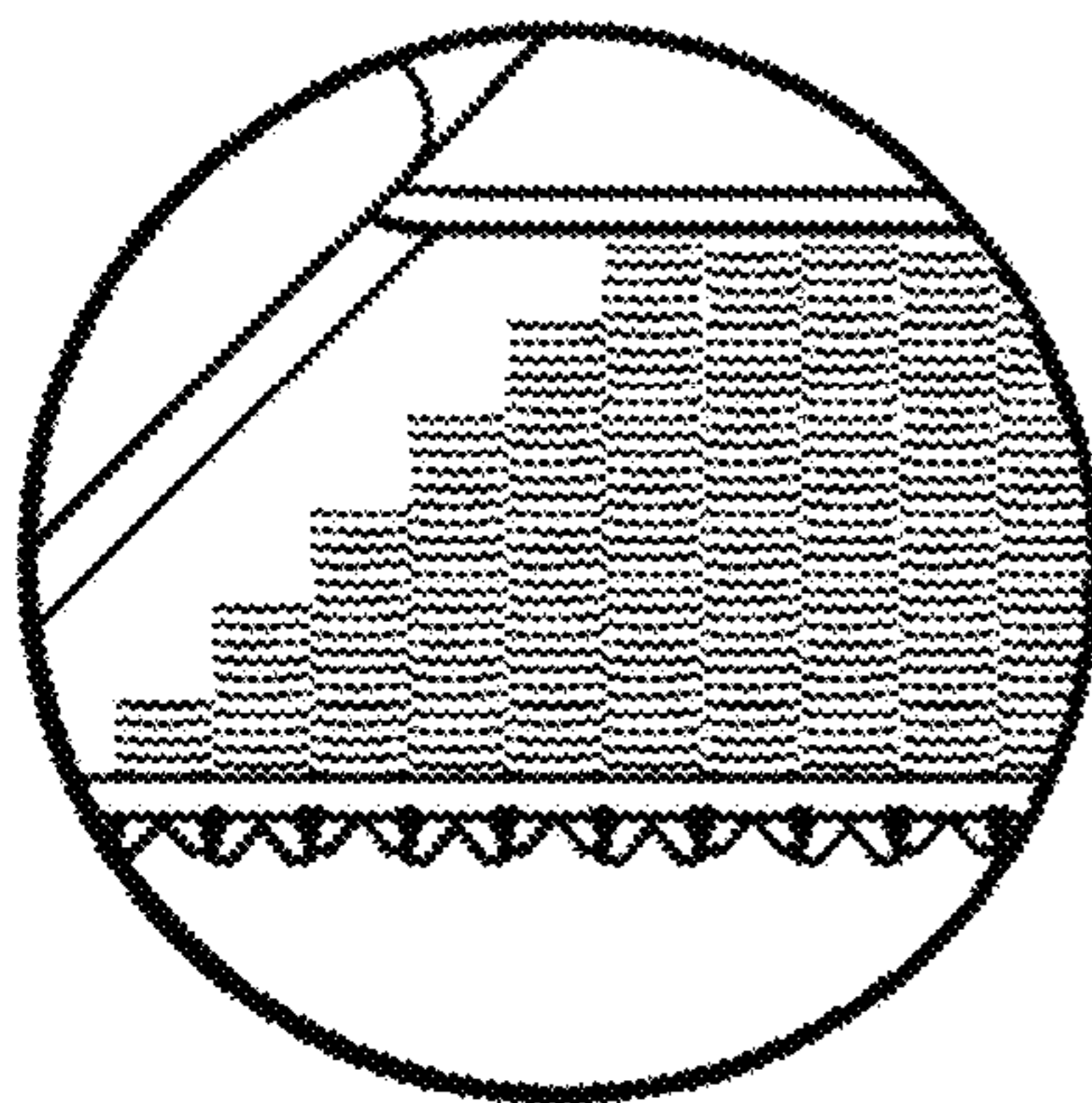


Fig. 5

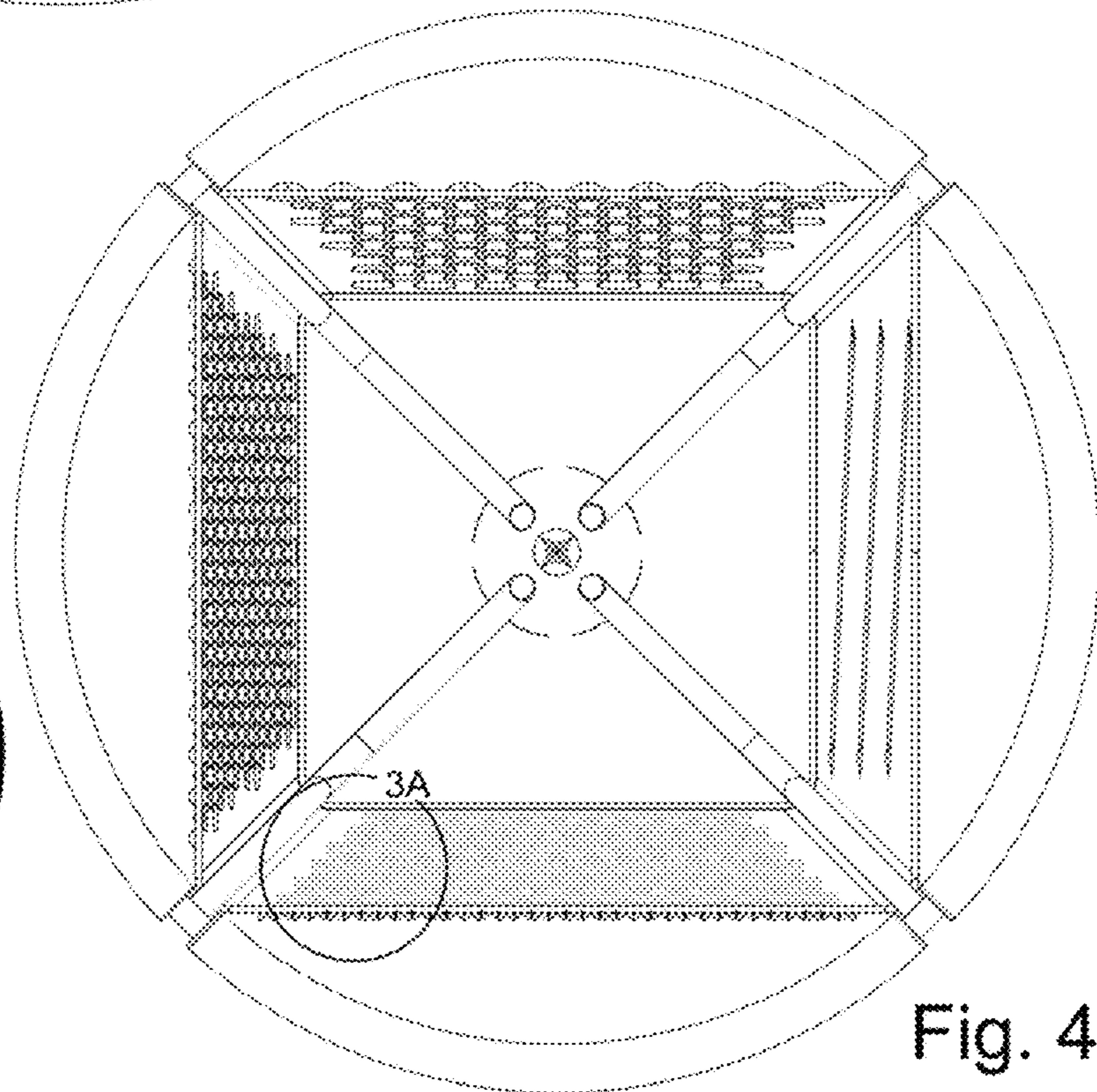


Fig. 4

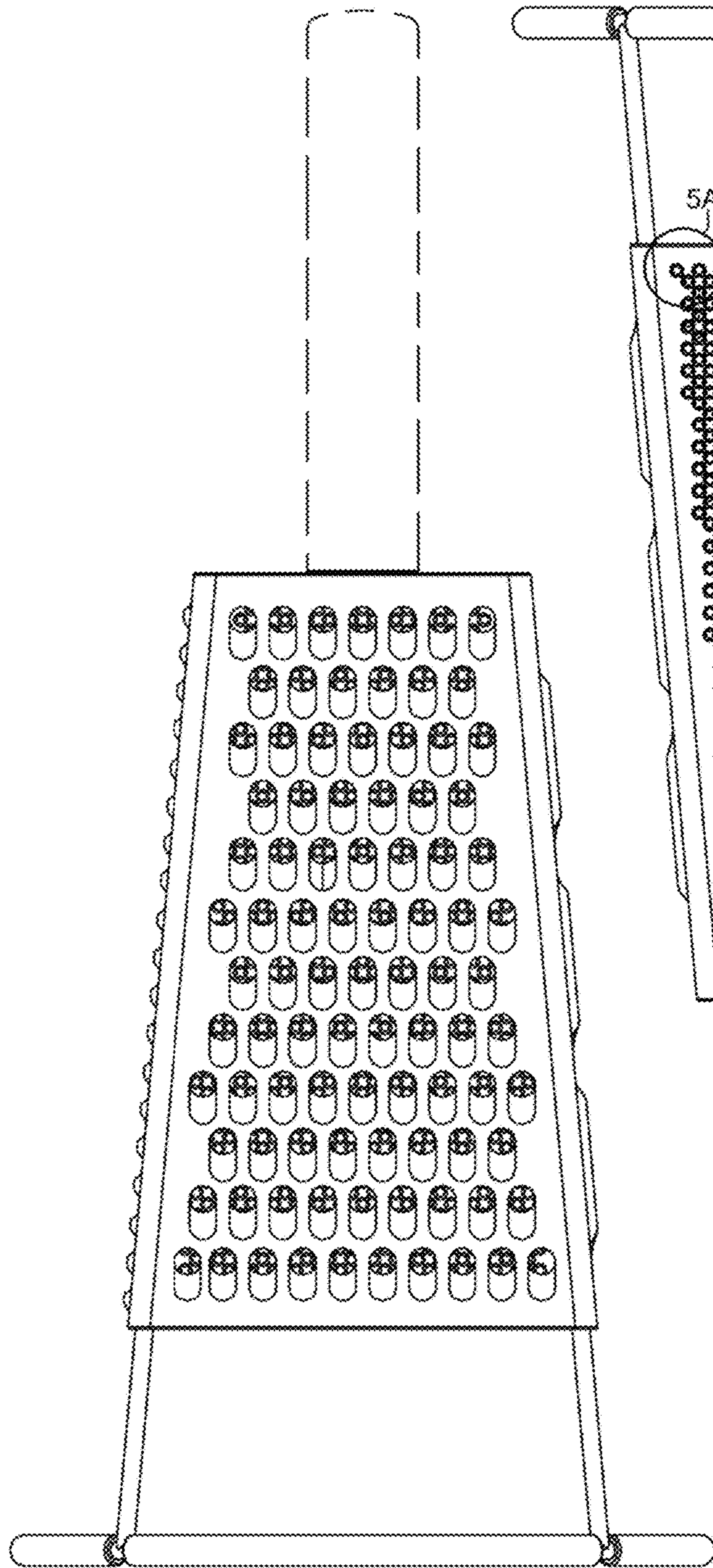


Fig. 6

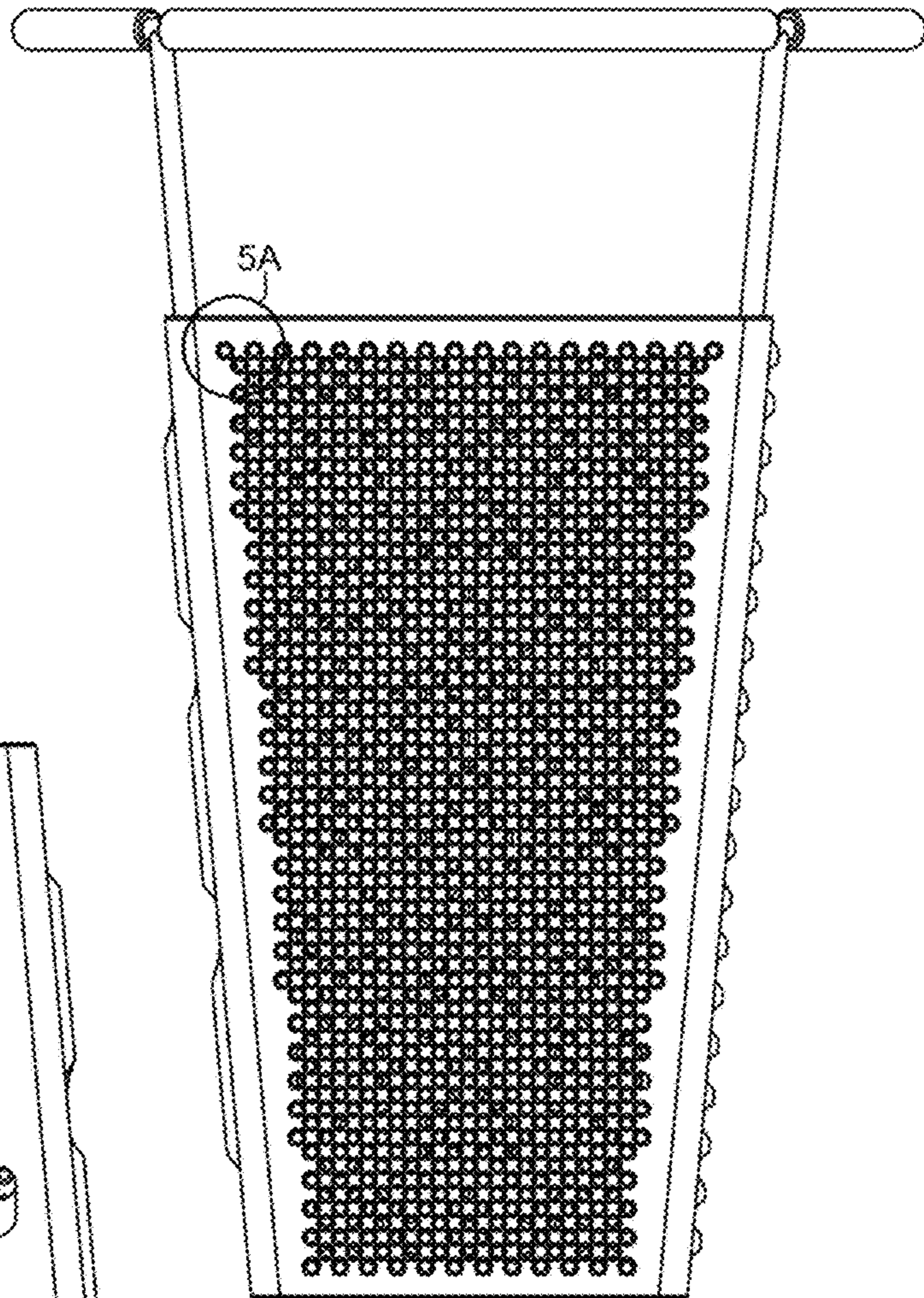


Fig. 7

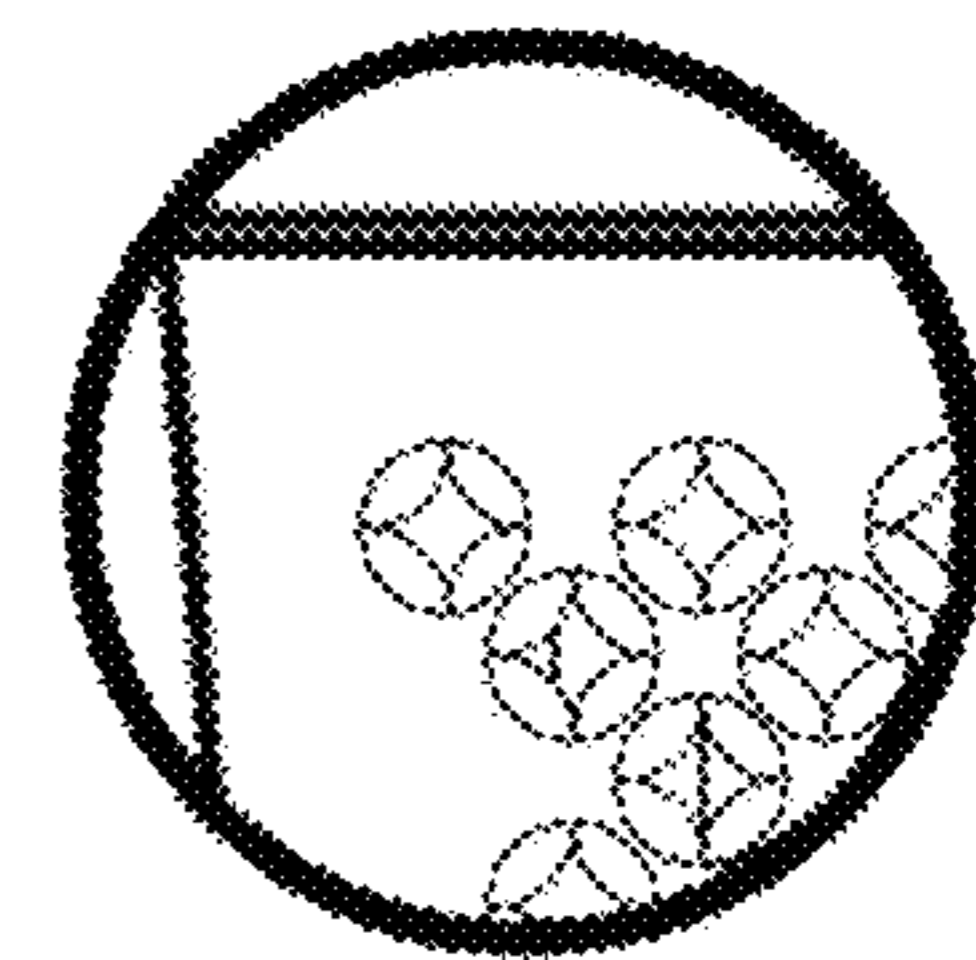


Fig. 8

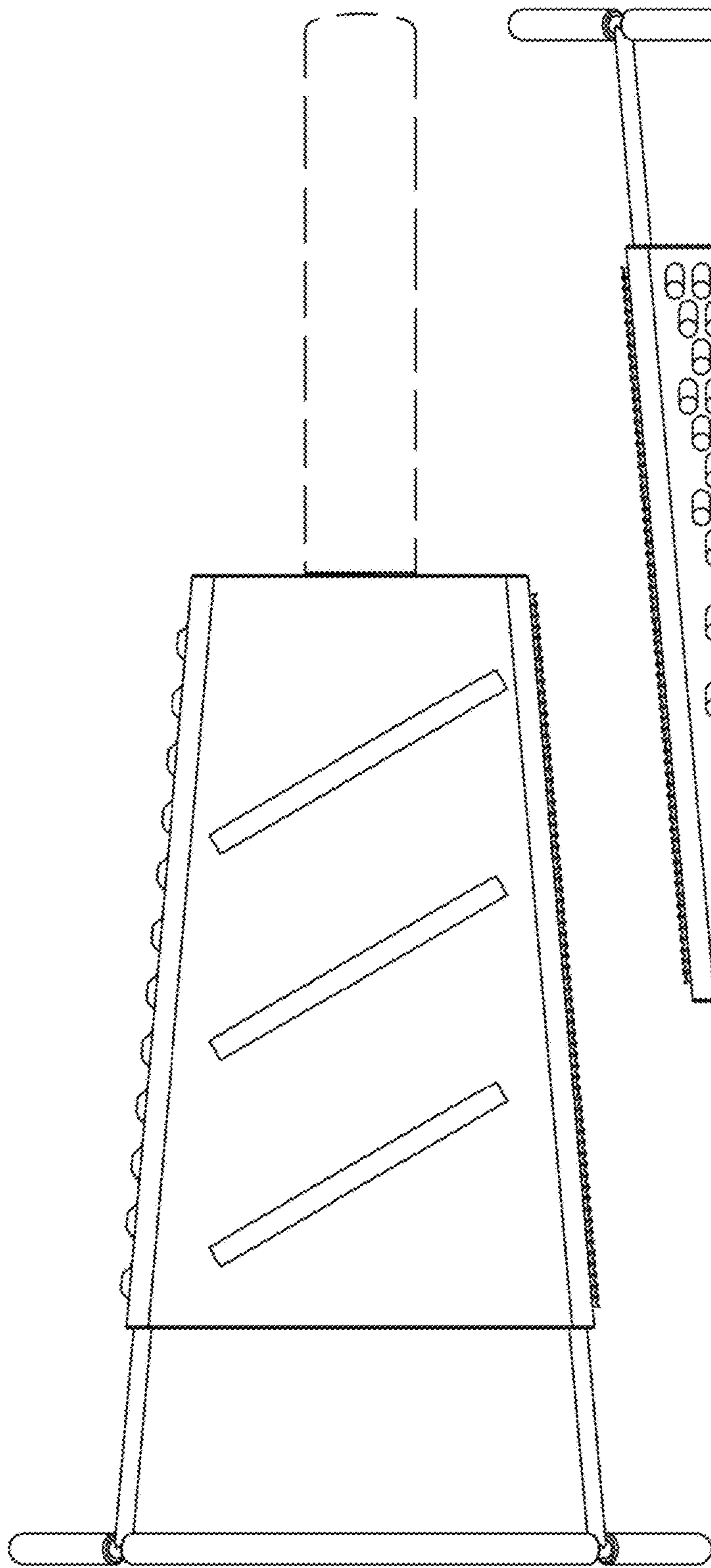


Fig. 9

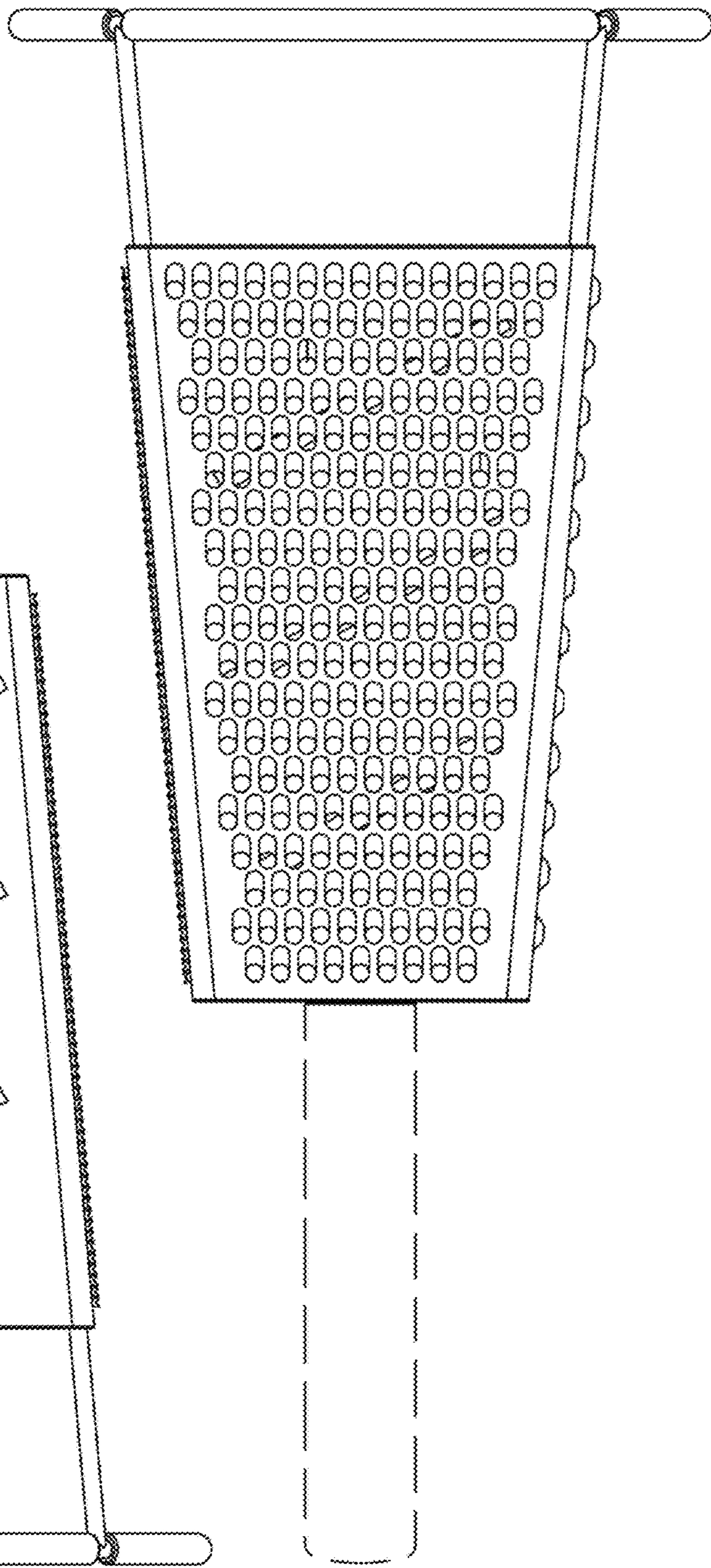


Fig. 10