

US00D913053S

(12) **United States Design Patent** (10) **Patent No.:** **US D913,053 S**
Truog (45) **Date of Patent:** **** Mar. 16, 2021**

(54) **CANTILEVERED EATING UTENSIL ASSEMBLY**

(71) Applicant: **SNAP OUT SOLUTIONS, LLC**, Lake Mary, FL (US)

(72) Inventor: **Kimberly A. Truog**, Lake Mary, FL (US)

(73) Assignee: **Snap Out Solutions, LLC**, Lake Mary, FL (US)

(**) Term: **15 Years**

(21) Appl. No.: **29/703,631**

(22) Filed: **Aug. 28, 2019**

(51) **LOC (13) Cl.** **07-03**

(52) **U.S. Cl.**
USPC **D7/644**; D7/643; D7/649; D7/653

(58) **Field of Classification Search**
USPC D7/395, 368, 401.2, 642-647, 653-664, D7/669, 675-677, 682-683, 688-689, D7/691-692; D8/107, 300-301; D22/117-118

CPC ... A01D 9/02; A01D 9/04; A01D 9/06; A47G 21/00; A47G 21/004; A47G 21/005; A47G 21/02; A47G 21/023; A47G 21/04; A47G 21/06; A47G 21/08; A47J 43/28; A47J 43/281; A47J 43/282; A47J 43/288; A61F 13/10; A61J 7/0023; B25G 1/00; B25G 1/01; B25G 1/02; B25G 3/00; B65D 75/56; B65D 75/563; B65D 75/566; B67B 7/00; B67B 7/724; B67B 7/73

See application file for complete search history.

(56) **References Cited**

U.S. PATENT DOCUMENTS

33,285 A 9/1861 Ames
34,069 A 1/1862 Neill

147,119 A 2/1874 Francis
9,687 A 5/1881 Cox
398,264 A 2/1889 Kisner
904,553 A 11/1908 McCoy
D53,165 S 4/1919 Janosik
2,185,942 A 1/1940 Frank
2,318,129 A 5/1943 Torode
3,664,020 A 5/1972 Hammond et al.
D249,926 S 10/1978 Wong
D275,167 S * 8/1984 Laslo D7/653
4,922,611 A 5/1990 Levy
D391,123 S 2/1998 Rey et al.
5,845,403 A 12/1998 Nivin
D535,857 S 1/2007 Bristow
D555,433 S * 11/2007 Koennecke D7/664
D607,285 S 1/2010 Julow
D608,143 S * 1/2010 Kasper D7/401.2

(Continued)

FOREIGN PATENT DOCUMENTS

CN 201551071 U 8/2010
CN 202504912 U 10/2012

(Continued)

Primary Examiner — Ricky Pham

(74) *Attorney, Agent, or Firm* — Allen, Dyer, Doppelt + Gilchrist, P.A.

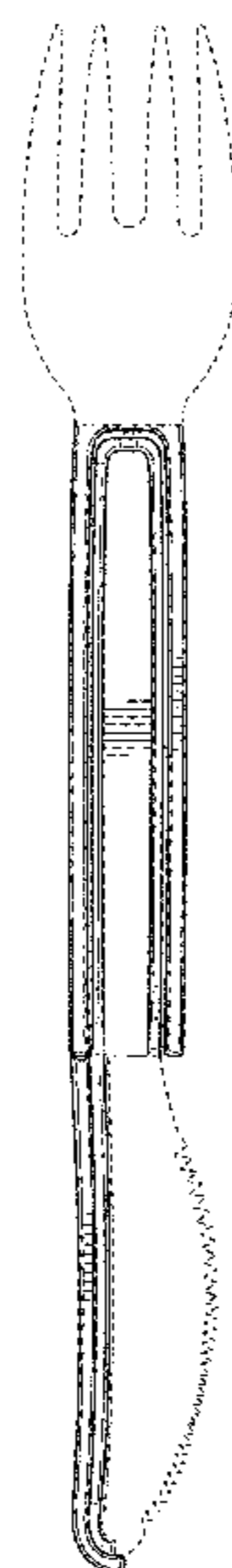
(57) **CLAIM**

The ornamental design for a cantilevered eating utensil assembly, as shown and described.

DESCRIPTION

FIG. 1 is a top assembled view thereof;
FIG. 2 is a top disassembled view thereof;
FIG. 3 is a bottom assembled view thereof;
FIG. 4 is a bottom disassembled view thereof;
FIG. 5 is a left side assembled view thereof; and,
FIG. 6 is a right side assembled view thereof.
The broken lines shown illustrate environmental structure and form no part of the claimed design.

1 Claim, 5 Drawing Sheets



(56)

References Cited

U.S. PATENT DOCUMENTS

D608,602	S	1/2010	Davies et al.	
D609,060	S	2/2010	Pallotto	
D623,907	S *	9/2010	Lenge	D7/650
D634,974	S *	3/2011	Oakes	D7/401.2
D644,071	S	8/2011	Vanguard	
D665,630	S	8/2012	Vasavada	
D705,604	S *	5/2014	Ng	D7/401.2
D719,789	S	12/2014	Truog et al.	
D730,701	S *	6/2015	Ng	D7/650
D743,752	S *	11/2015	Truog	A47G 21/02 D7/644
D746,645	S	1/2016	Truog et al.	
D752,398	S *	3/2016	Mou	D7/650
D775,498	S *	1/2017	Gallop	D7/653
9,549,626	B2 *	1/2017	Truog	A47G 21/06
9,554,663	B2	1/2017	Truog et al.	
D778,689	S *	2/2017	Grewal	D7/643
D834,379	S *	11/2018	Truog	D7/643
2007/0033809	A1	2/2007	Shirazi	
2008/0000092	A1	1/2008	Vanguard	
2011/0035946	A1	2/2011	Menceles	
2013/0232793	A1	9/2013	Fazal	

FOREIGN PATENT DOCUMENTS

CN	202959903	U	6/2013
CN	203106623	U	8/2013
CN	103385638	A	11/2013
EP	0257109	A1	3/1988
JP	2006296868	A	11/2006
WO	2011139353	A1	11/2011

* cited by examiner

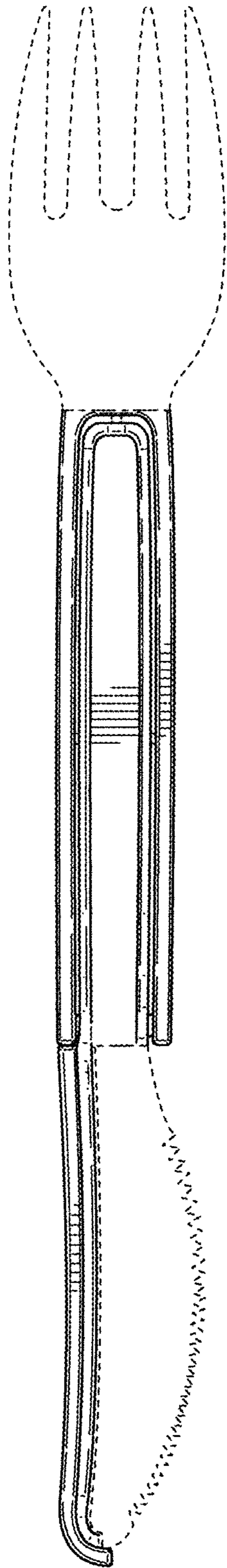


FIG. 1

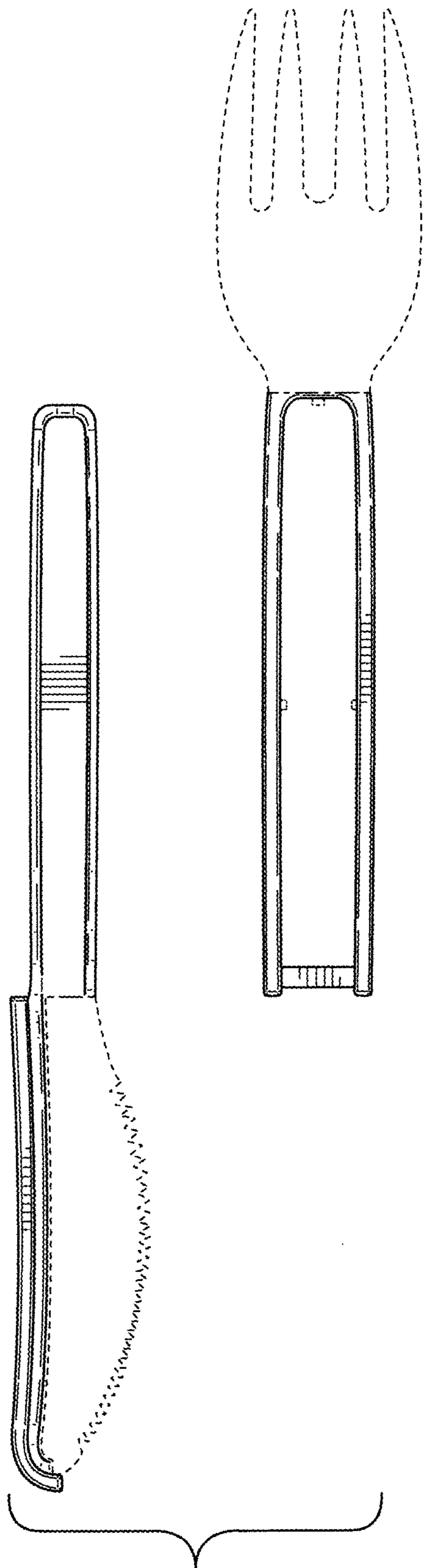


FIG. 2

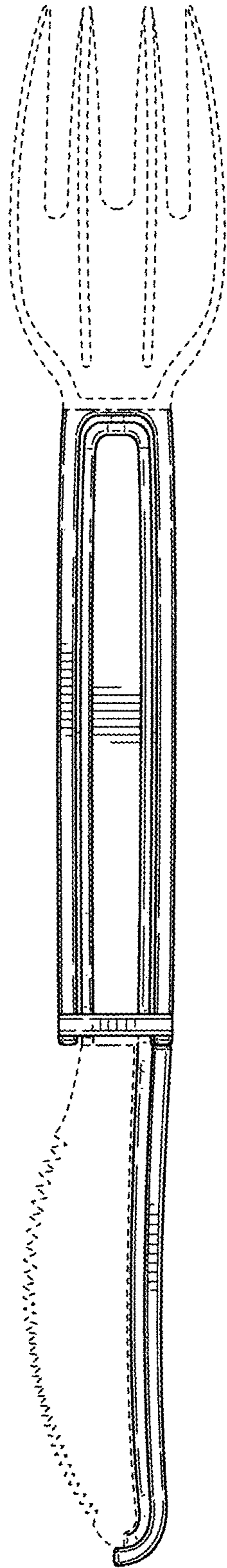


FIG. 3

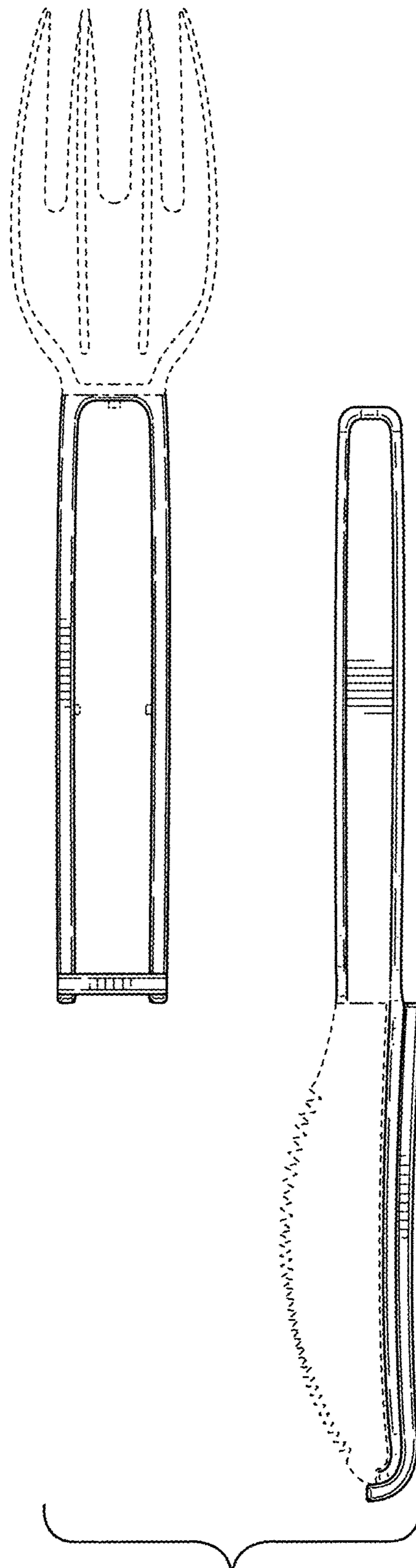


FIG. 4

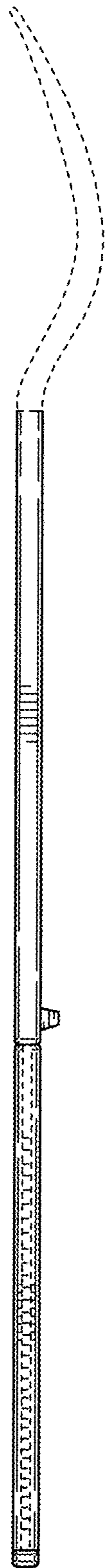


FIG. 5

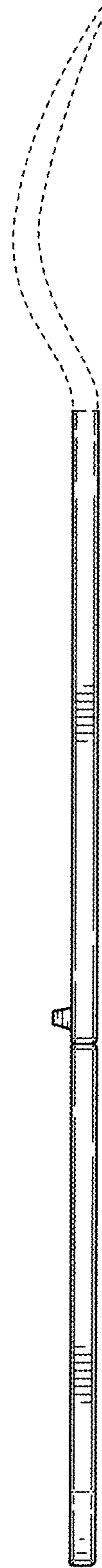


FIG. 6