



US00D913052S

(12) **United States Design Patent**  
**Wilson**

(10) **Patent No.:** **US D913,052 S**  
(45) **Date of Patent:** **\*\* Mar. 16, 2021**

- (54) **NAPKIN HOLDER**
- (71) Applicant: **Spectrum Diversified Designs, LLC**,  
Streetsboro, OH (US)
- (72) Inventor: **Courtney Wilson**, Chardon, OH (US)
- (73) Assignee: **Spectrum Diversified Designs, LLC**,  
Streetsboro, OH (US)
- (\*\*) Term: **15 Years**
- (21) Appl. No.: **29/715,704**
- (22) Filed: **Dec. 4, 2019**
- (51) **LOC (13) Cl.** ..... **07-06**
- (52) **U.S. Cl.**  
USPC ..... **D7/631**
- (58) **Field of Classification Search**  
USPC ..... D3/304, 306, 316; D6/566, 567, 573,  
D6/574; D7/631, 637-641; D19/75, 81,  
D19/83-86, 90, 92  
CPC ..... A47B 88/00; A47G 21/14; A47G 21/16;  
A47G 21/184; A47G 23/06; A47G  
29/087; A47J 45/02; A47J 47/16; B65D  
1/34; B65D 1/36  
See application file for complete search history.

D690,769 S *	10/2013	Hu	.....	D19/92
D744,296 S *	12/2015	Goodman	.....	D7/631
D747,158 S *	1/2016	Goodman	.....	D7/631
D748,441 S *	2/2016	Goodman	.....	D7/631
D787,277 S *	5/2017	Goodman	.....	D7/631
D835,476 S *	12/2018	Goodman	.....	D7/631

**OTHER PUBLICATIONS**

Wire Cage Industrial Pendant Light, Temple & Webster website;  
<https://www.templeandwebster.com.au/1-Light-Foyer-Pendant-IVD255-IVD256-IVOR1125.html>, dated Nov. 20, 2019, 4 pages.

\* cited by examiner

*Primary Examiner* — Janice Patyk  
(74) *Attorney, Agent, or Firm* — Tucker Ellis LLP

(57) **CLAIM**

The ornamental design for a napkin holder, as shown and described.

**DESCRIPTION**

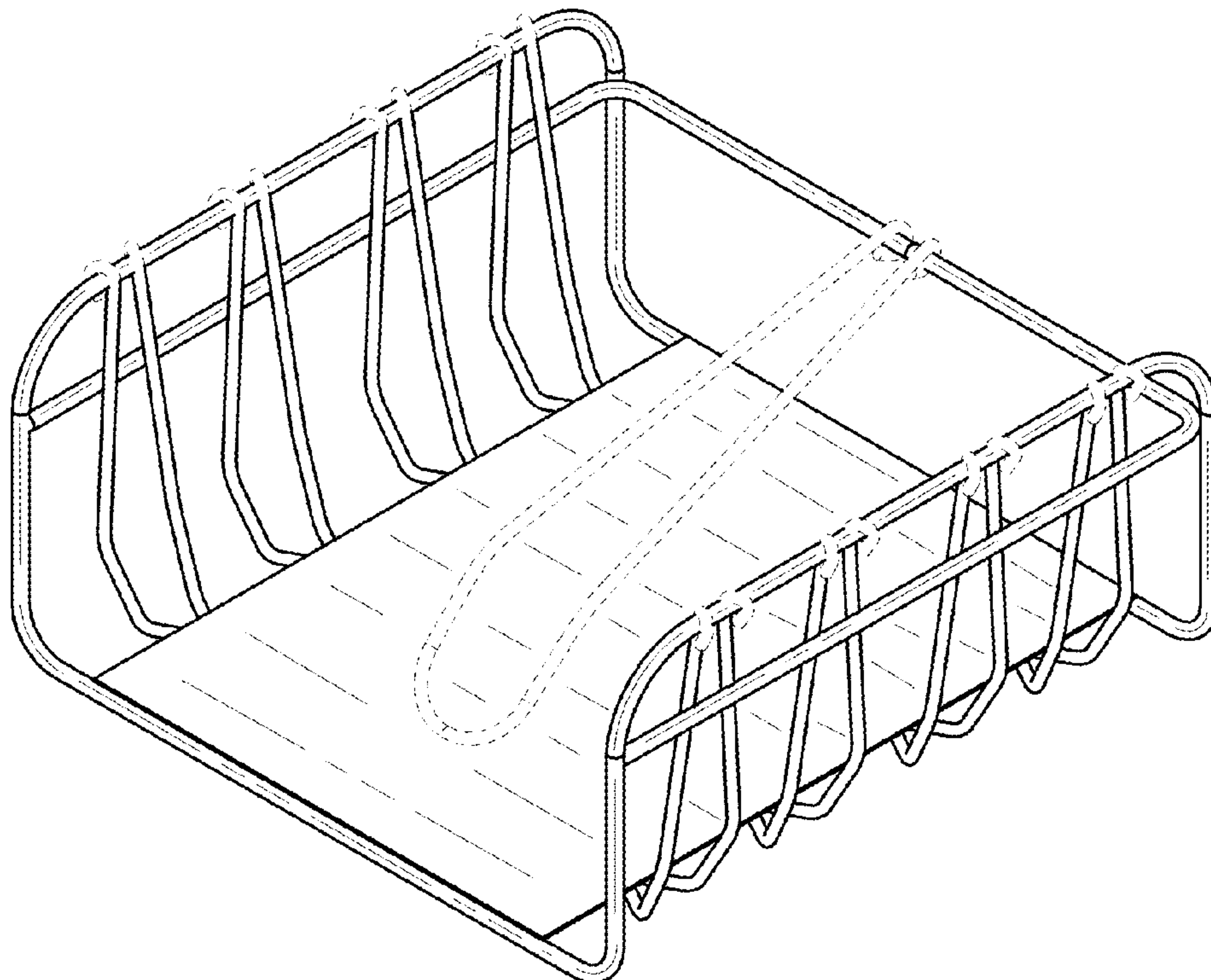
FIG. 1 is a perspective view of a napkin holder showing my new design;  
FIG. 2 is a front view thereof;  
FIG. 3 is a rear view thereof;  
FIG. 4 is a left side view thereof;  
FIG. 5 is a right side view thereof;  
FIG. 6 is a top view thereof; and,  
FIG. 7 is a bottom view thereof.  
The broken lines show portions of the design that form no part of the claimed design.

(56) **References Cited**

**U.S. PATENT DOCUMENTS**

D640,510 S *	6/2011	Guindi	.....	D7/631
D643,695 S *	8/2011	Goodman	.....	D7/631
D652,688 S *	1/2012	Guindi	.....	D7/631

**1 Claim, 4 Drawing Sheets**



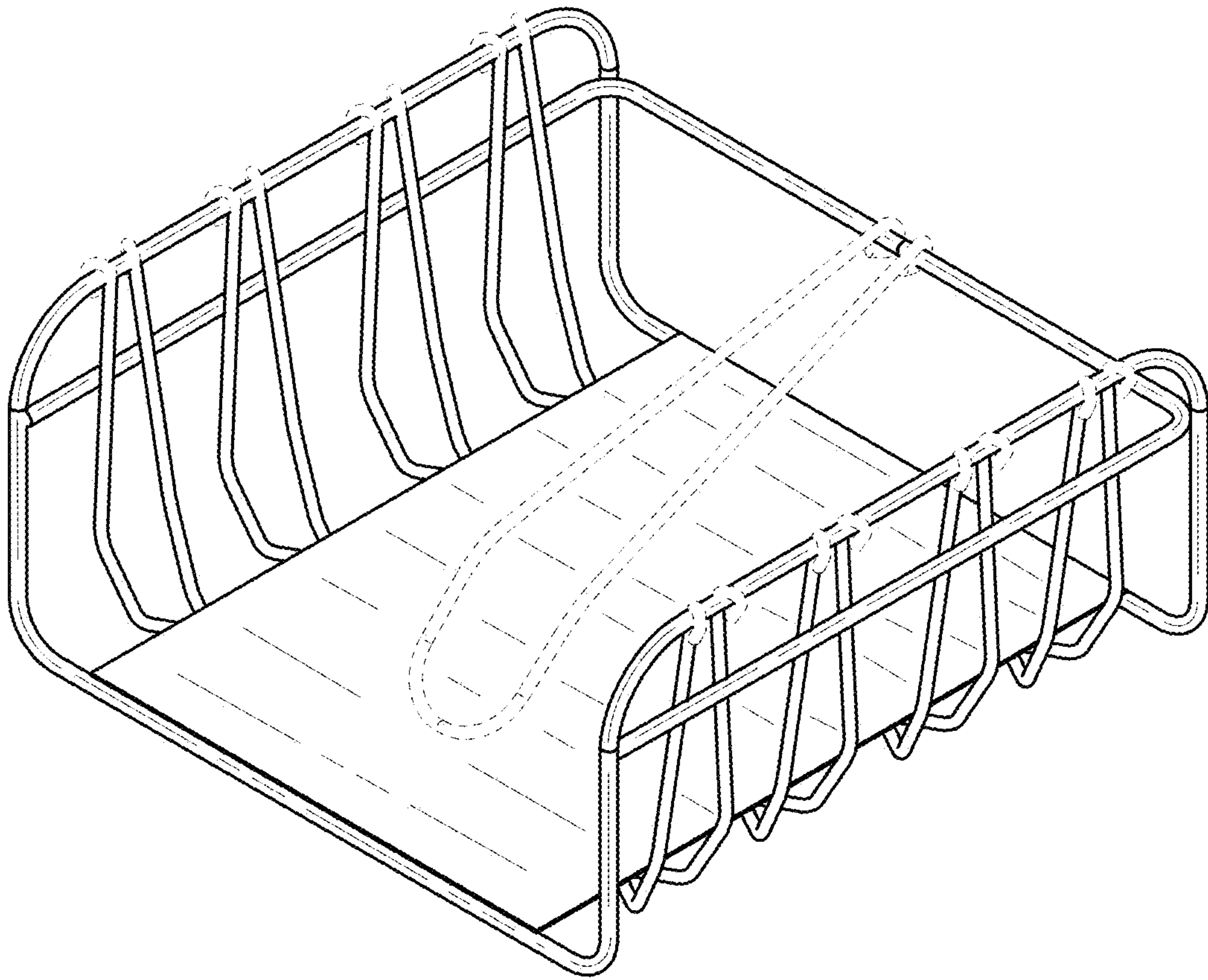


FIG. 1

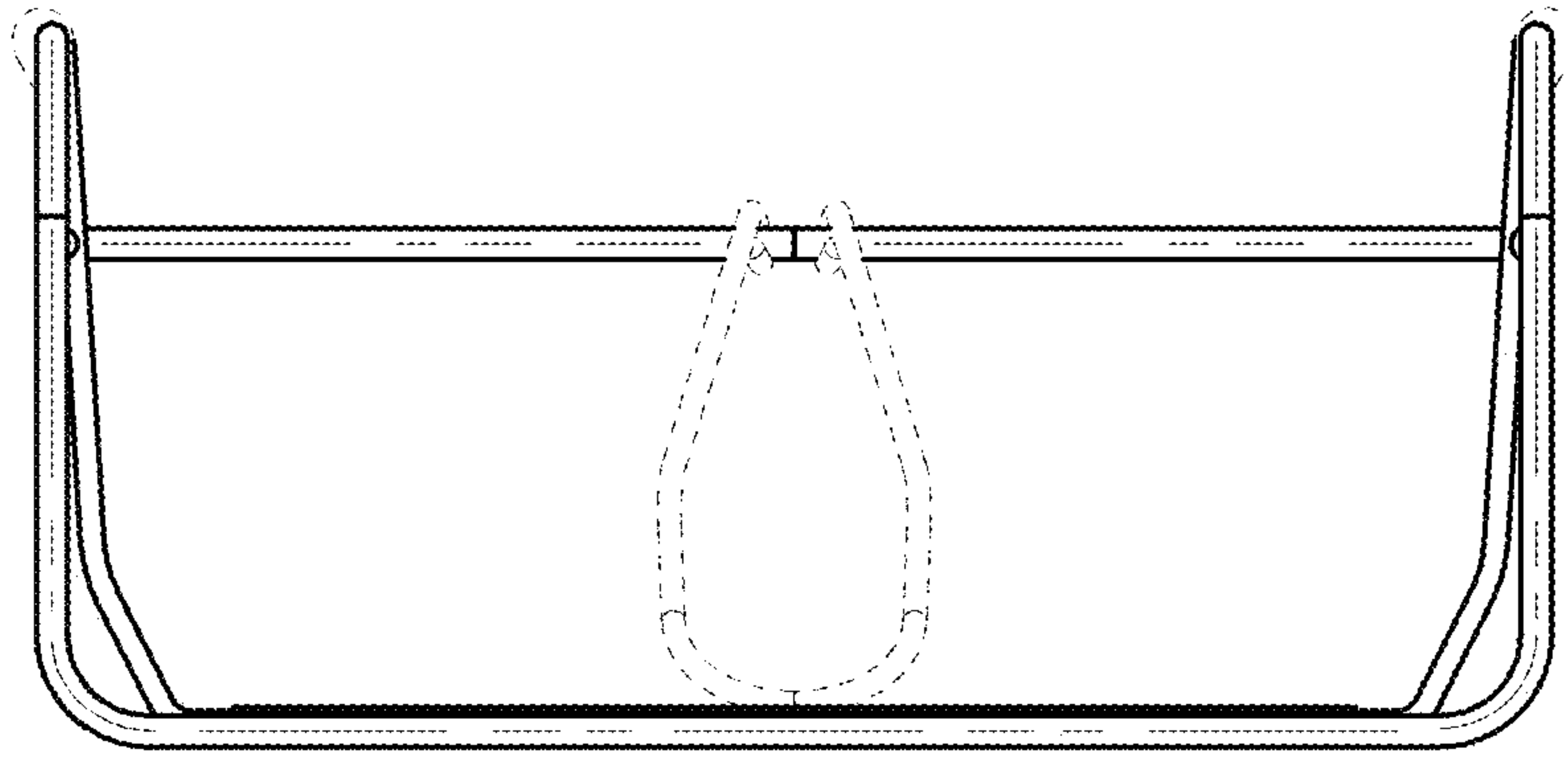


FIG. 2

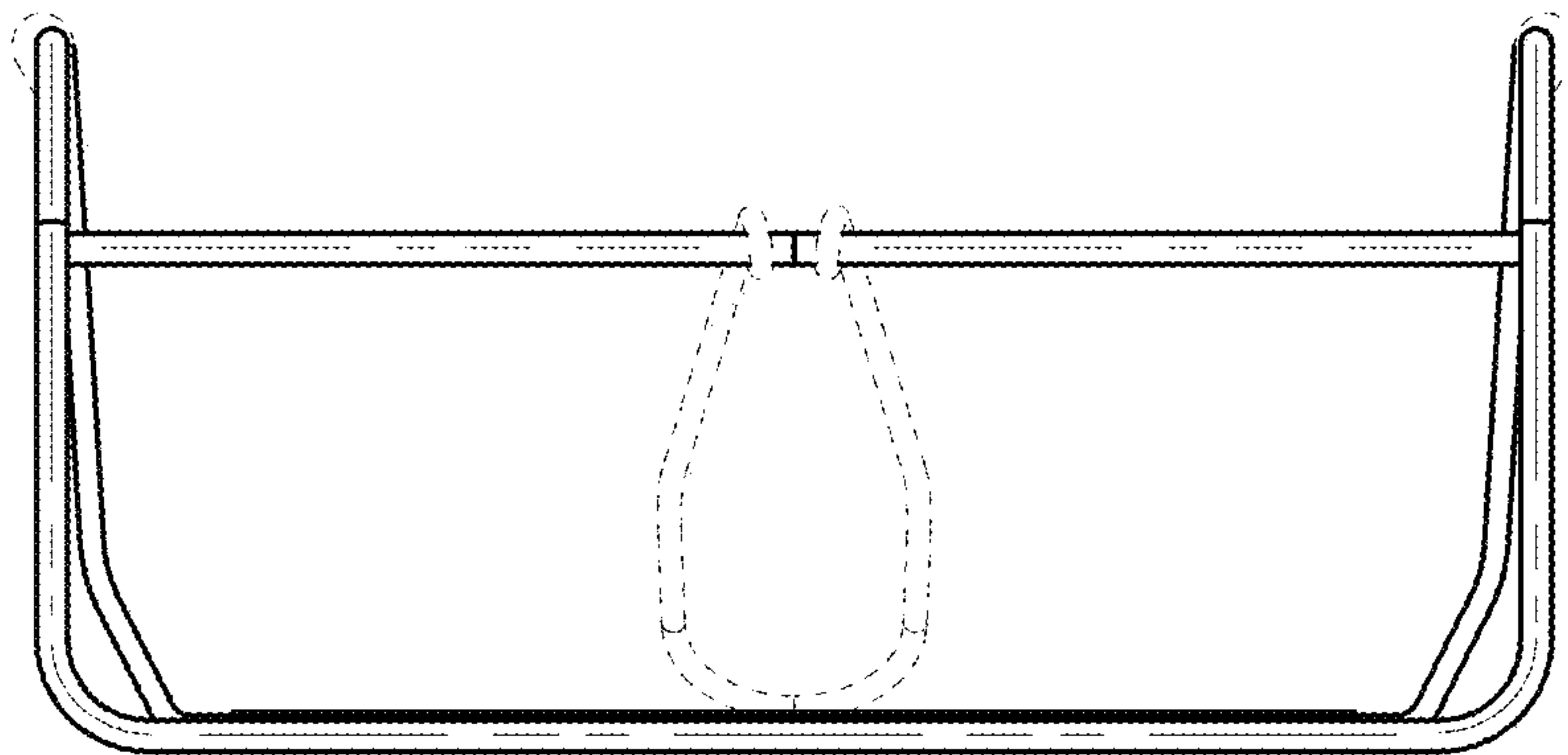


FIG. 3

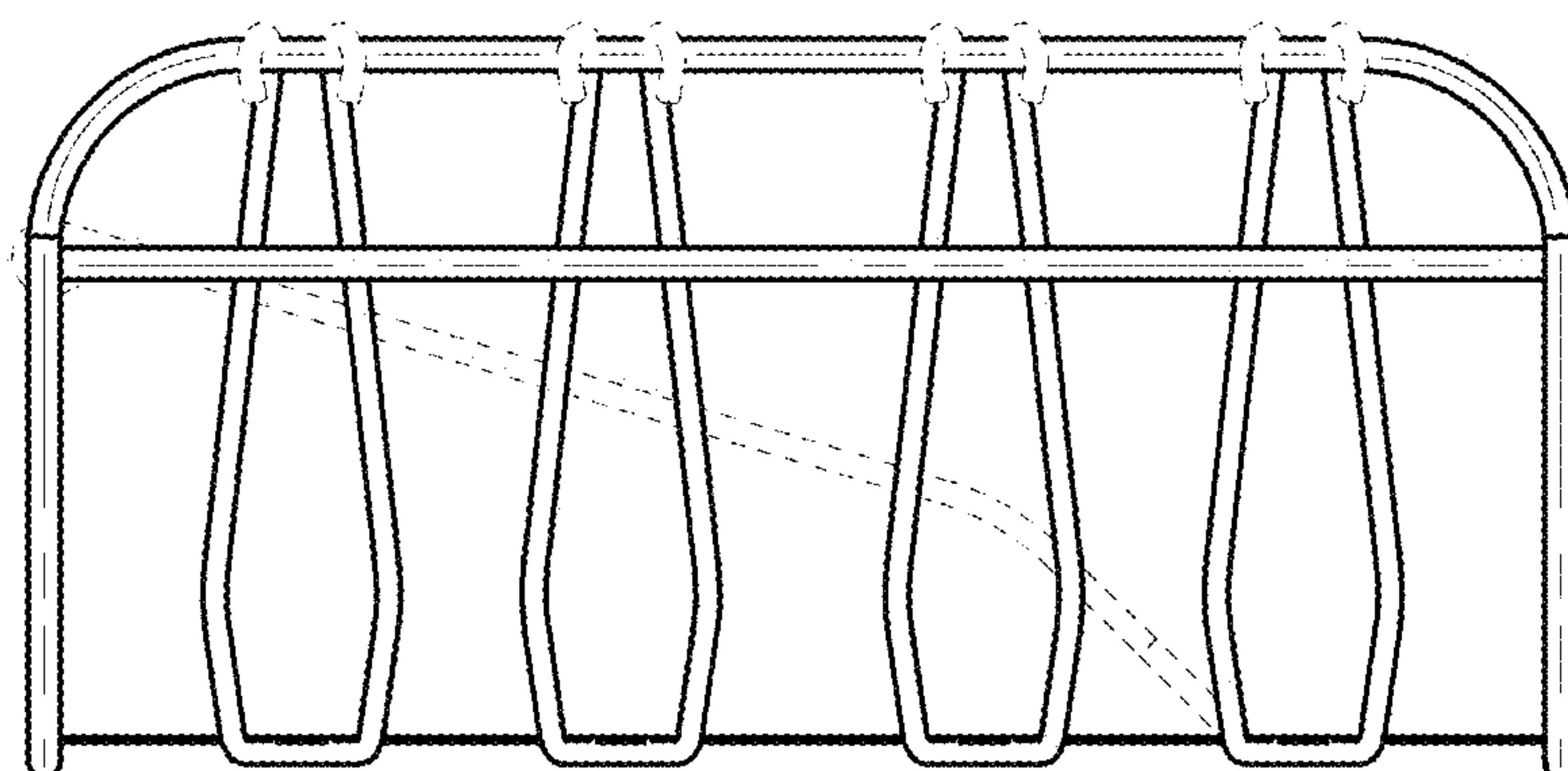


FIG. 4

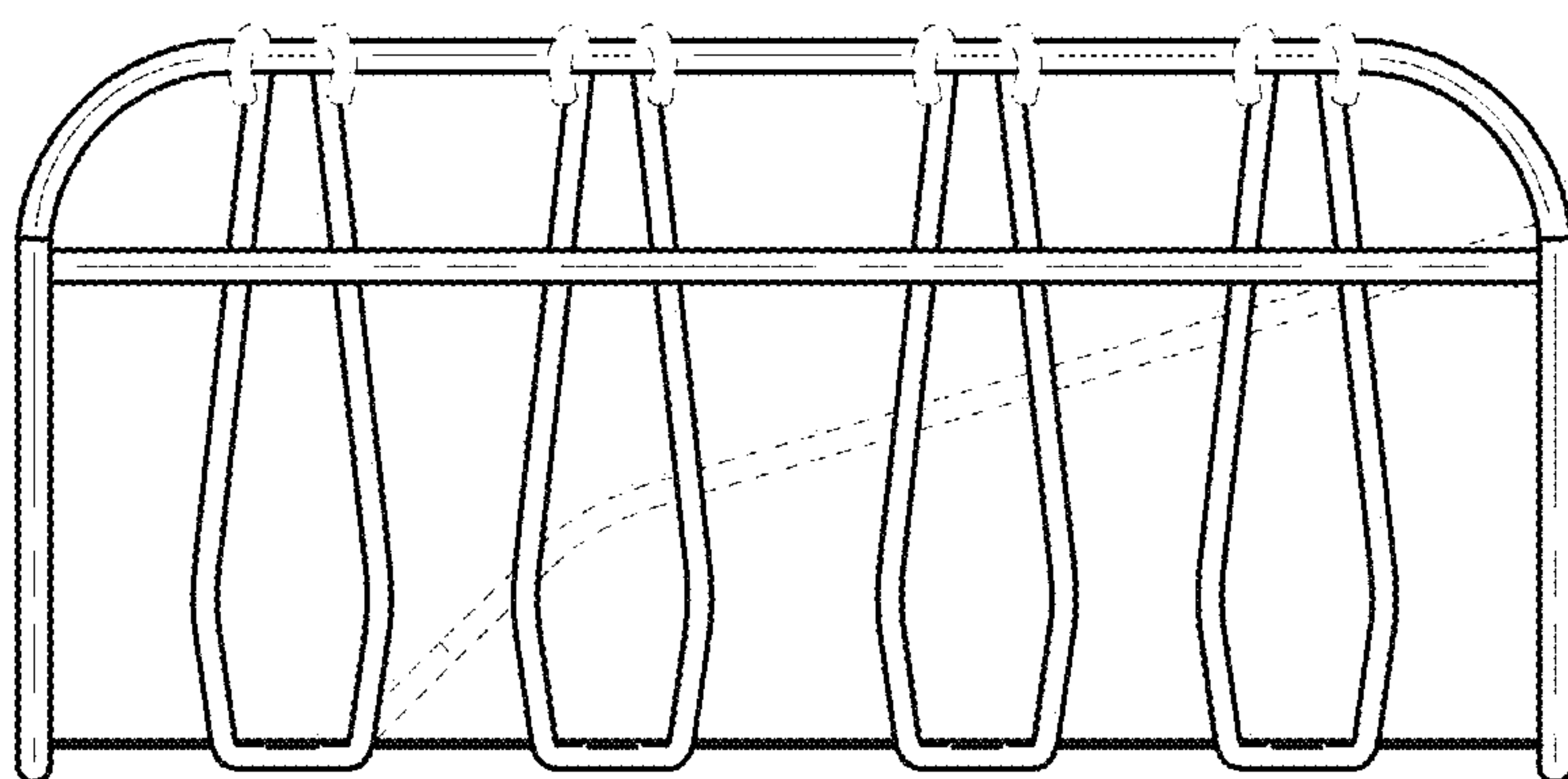


FIG. 5



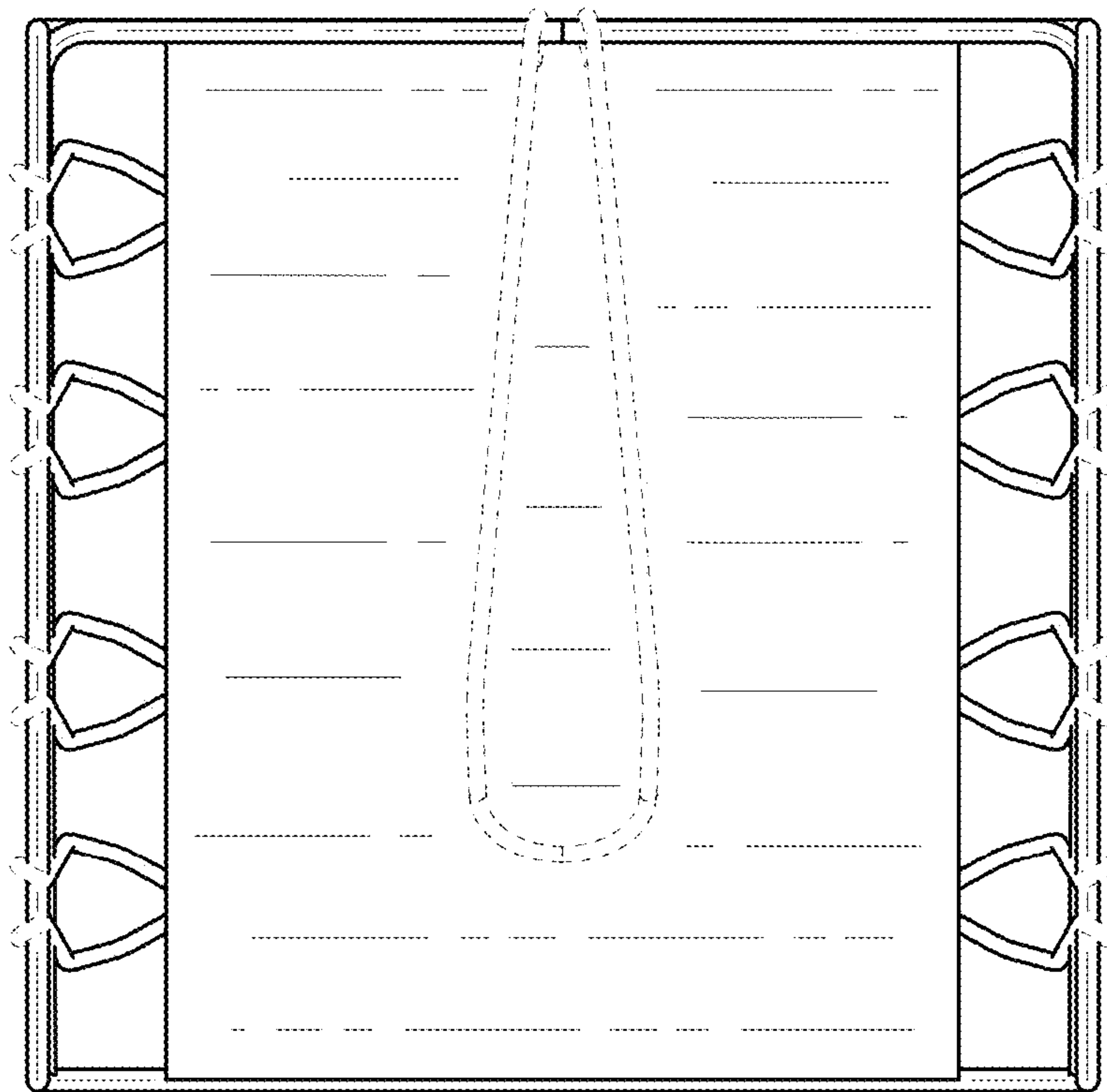


FIG. 6

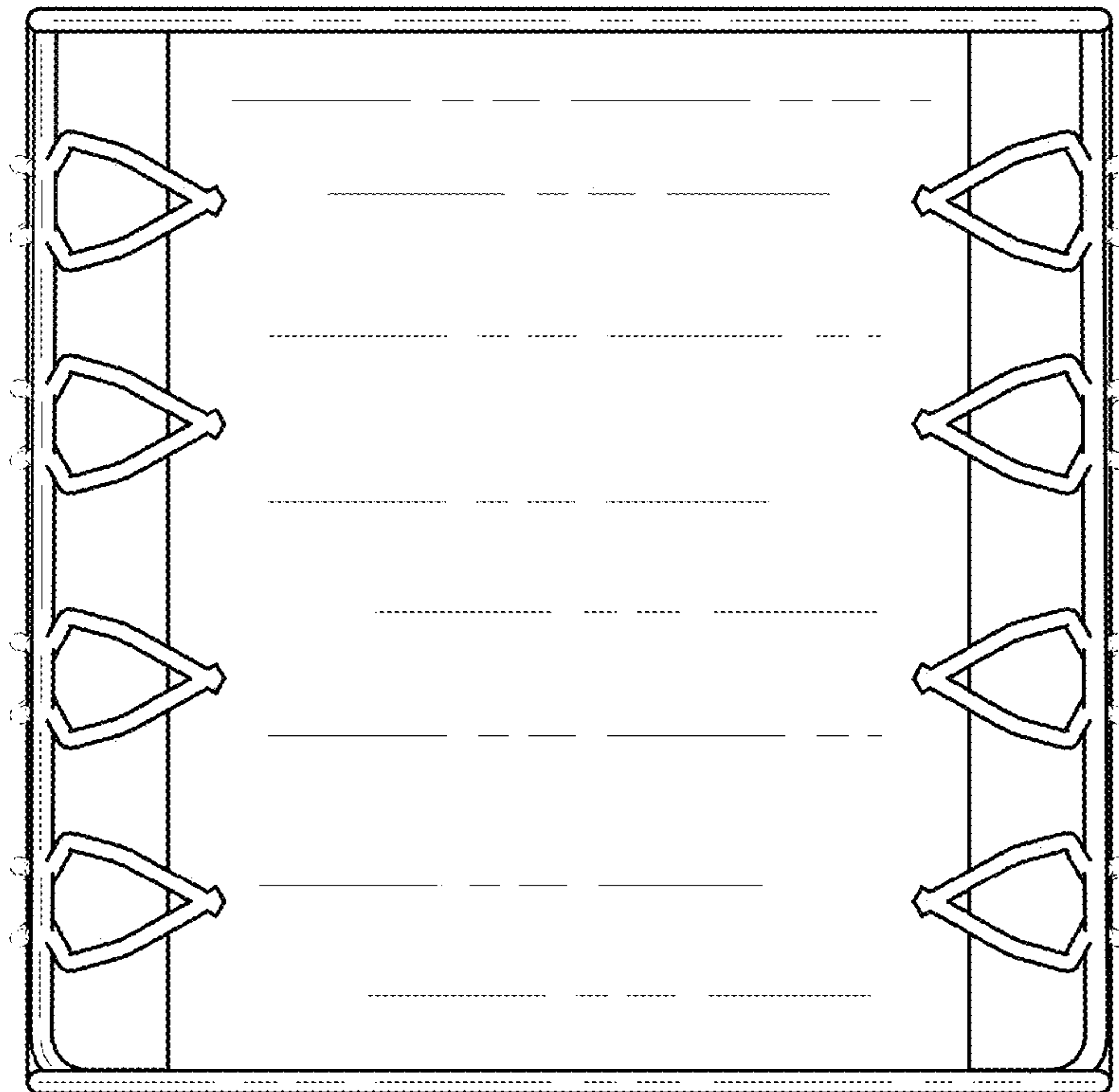


FIG. 7