



US00D913051S

(12) **United States Design Patent**  
**Wilson**

(10) **Patent No.:** **US D913,051 S**

(45) **Date of Patent:** **\*\* Mar. 16, 2021**

- (54) **NAPKIN HOLDER**
- (71) Applicant: **Spectrum Diversified Designs, LLC**,  
Streetsboro, OH (US)
- (72) Inventor: **Courtney Wilson**, Chardon, OH (US)
- (73) Assignee: **Spectrum Diversified Designs, LLC**,  
Streetsboro, OH (US)
- (\*\*) Term: **15 Years**
- (21) Appl. No.: **29/703,252**
- (22) Filed: **Aug. 26, 2019**
- (51) **LOC (13) Cl.** ..... **07-06**
- (52) **U.S. Cl.**  
USPC ..... **D7/631**
- (58) **Field of Classification Search**  
USPC ..... D3/304, 306, 316; D6/566, 567, 573,  
D6/574; D7/631, 637-641; D19/75, 81,  
D19/83-86, 90, 92  
CPC ..... A47B 88/00; A47G 21/14; A47G 21/16;  
A47G 21/184; A47G 23/06; A47G  
29/087; A47J 45/02; A47J 47/16; B65D  
1/34; B65D 1/36  
See application file for complete search history.

D778,119 S *	2/2017	Hsu .....	D7/631
D785,413 S *	5/2017	Goodman .....	D7/631
D786,026 S *	5/2017	Goodman .....	D7/631
D808,728 S *	1/2018	Goodman .....	D7/601
D811,122 S *	2/2018	Goodman .....	D6/553
D820,053 S *	6/2018	Wang .....	D7/631

**OTHER PUBLICATIONS**

Wire Cage Industrial Pendant Light, Temple & Webster website,  
<https://www.templeandwebster.com.au/1-Light-Foyer-Pendant-IVD255-IVD256-IVOR1125.html>, dated Aug. 14, 2019, 1 page.

\* cited by examiner

*Primary Examiner* — Janice Patyk

(74) *Attorney, Agent, or Firm* — Tucker Ellis LLP

(57) **CLAIM**

The ornamental design for a napkin holder, as shown and described.

**DESCRIPTION**

FIG. 1 is a perspective view of a napkin holder showing my new design.

FIG. 2 is a front view thereof, a rear view being a mirror image.

FIG. 3 is a right side view thereof, a left side view being a mirror image.

FIG. 4 is a top view thereof; and,

FIG. 5 is a bottom view thereof.

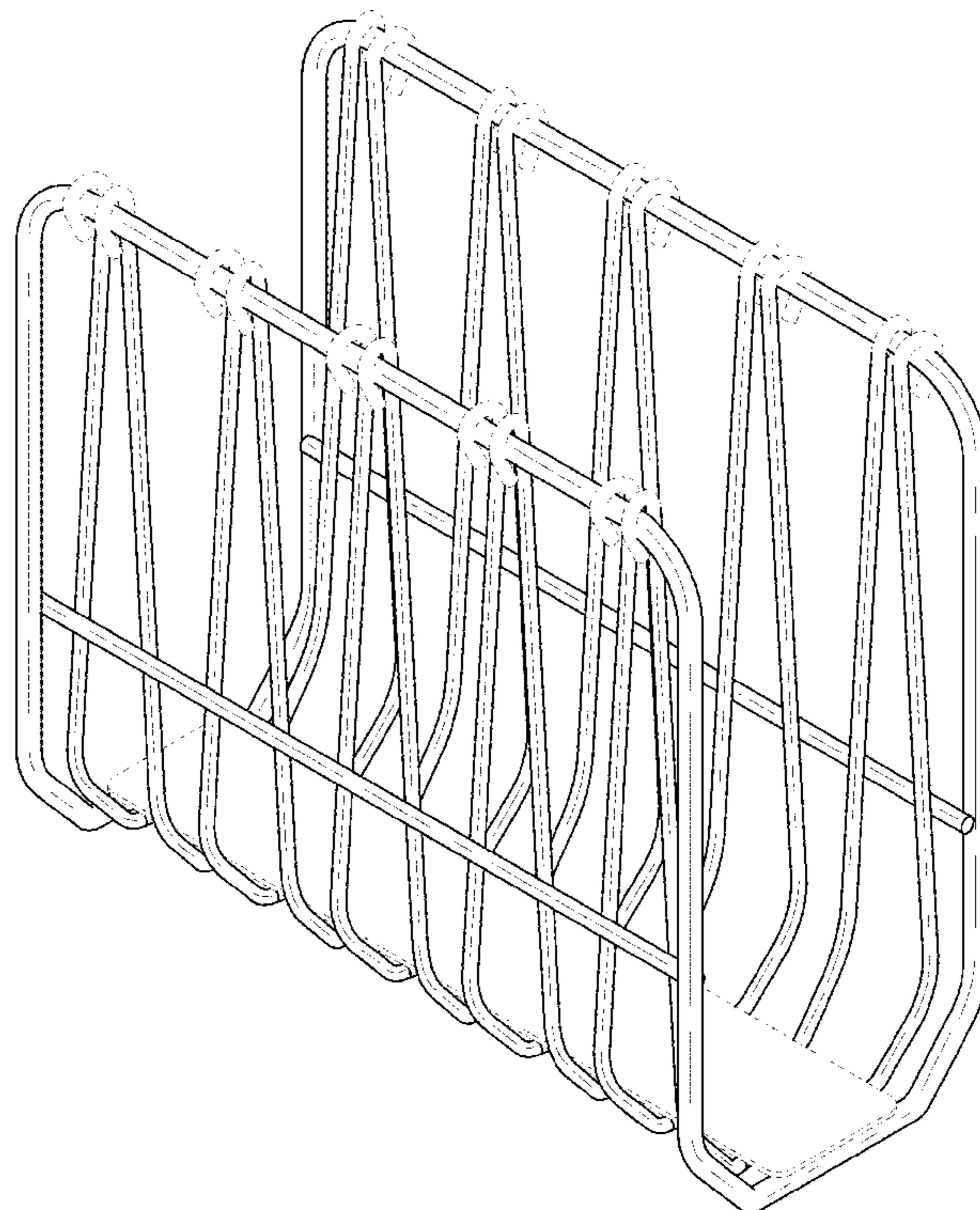
The broken lines show portions of the design that form no part of the claimed design.

(56) **References Cited**

**U.S. PATENT DOCUMENTS**

D322,002 S *	12/1991	Emery .....	D6/566
D436,463 S *	1/2001	Goodman .....	D6/678.4
D645,671 S *	9/2011	Goodman .....	D6/362

**1 Claim, 4 Drawing Sheets**



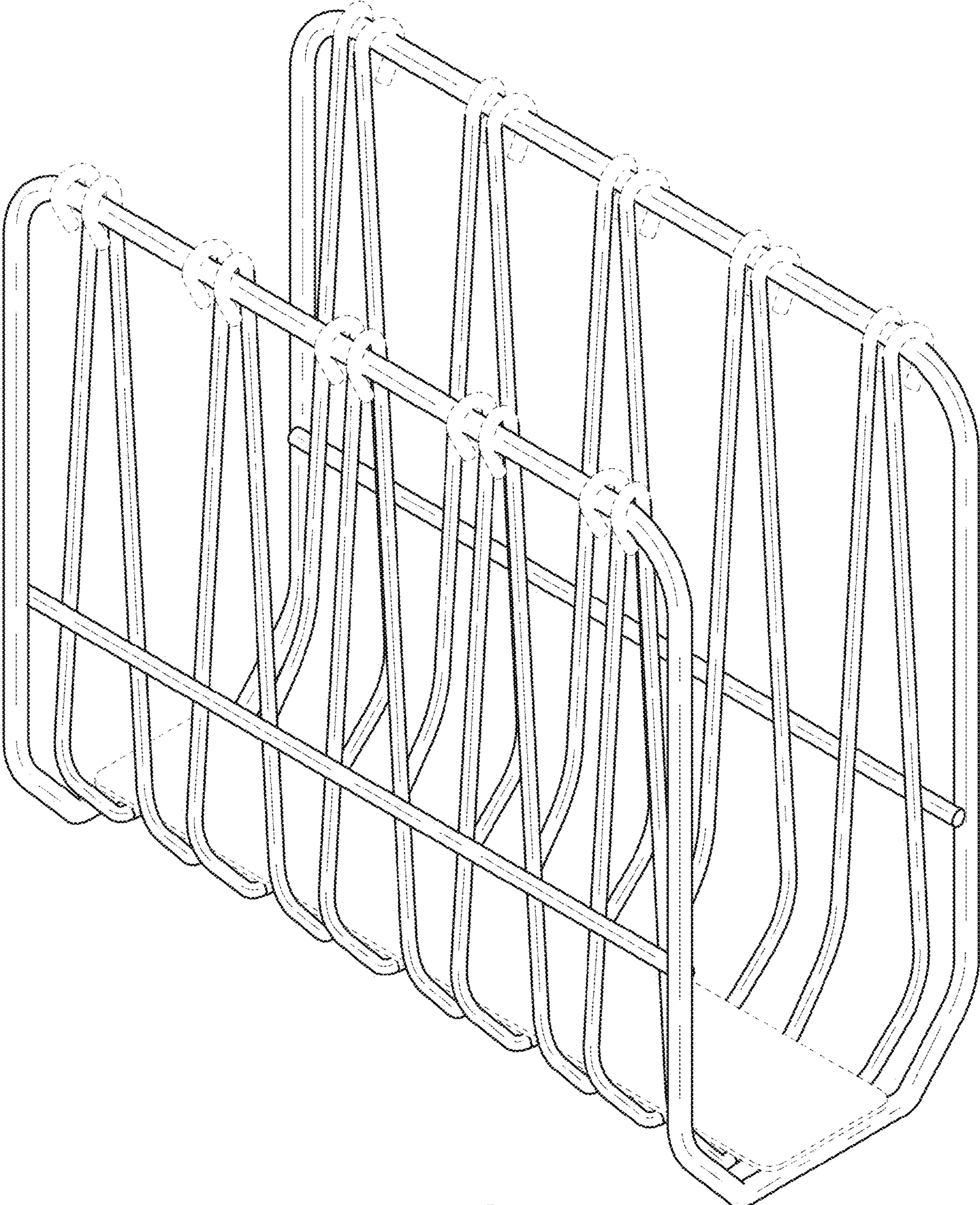


FIG. 1



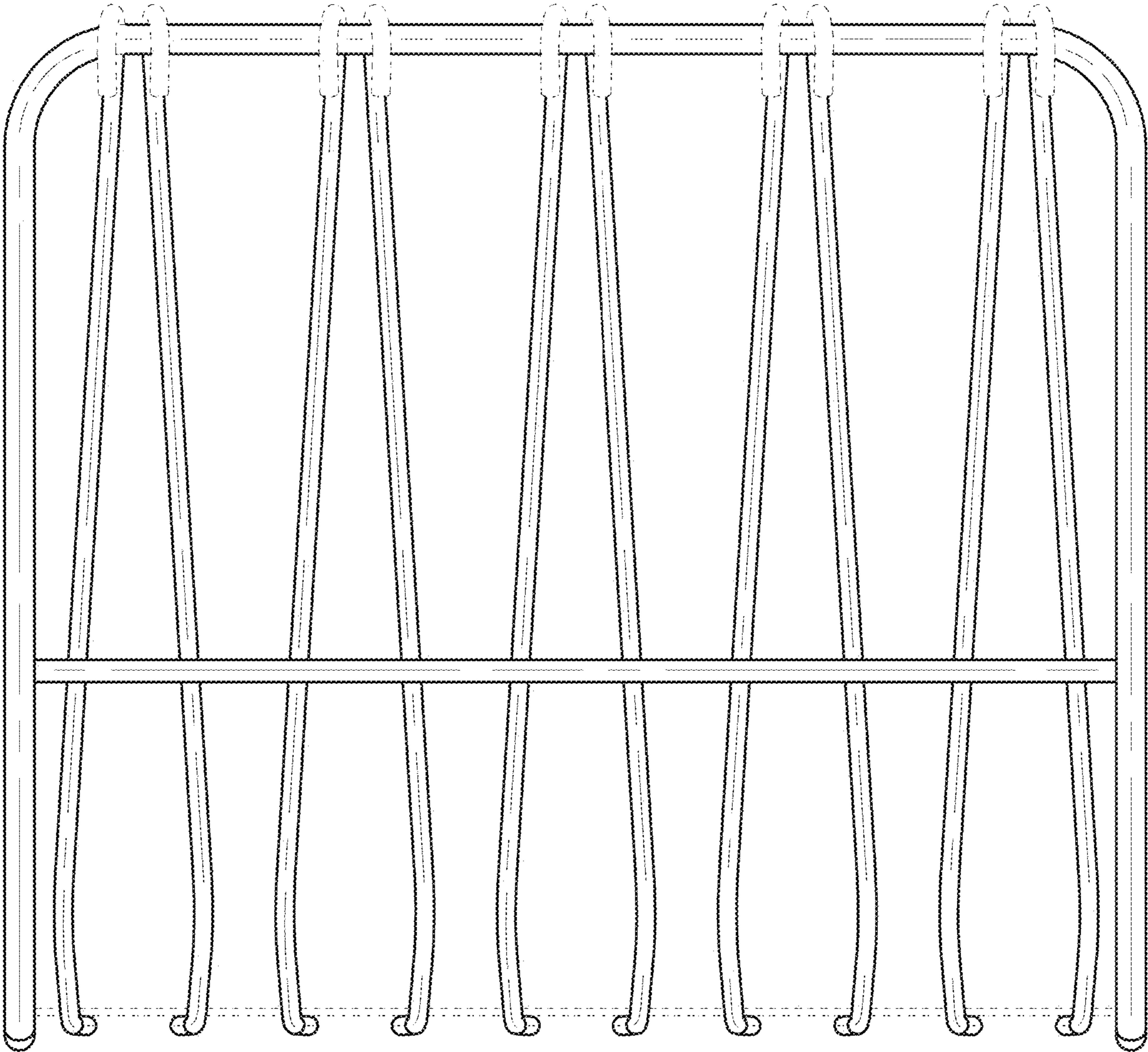


FIG. 2

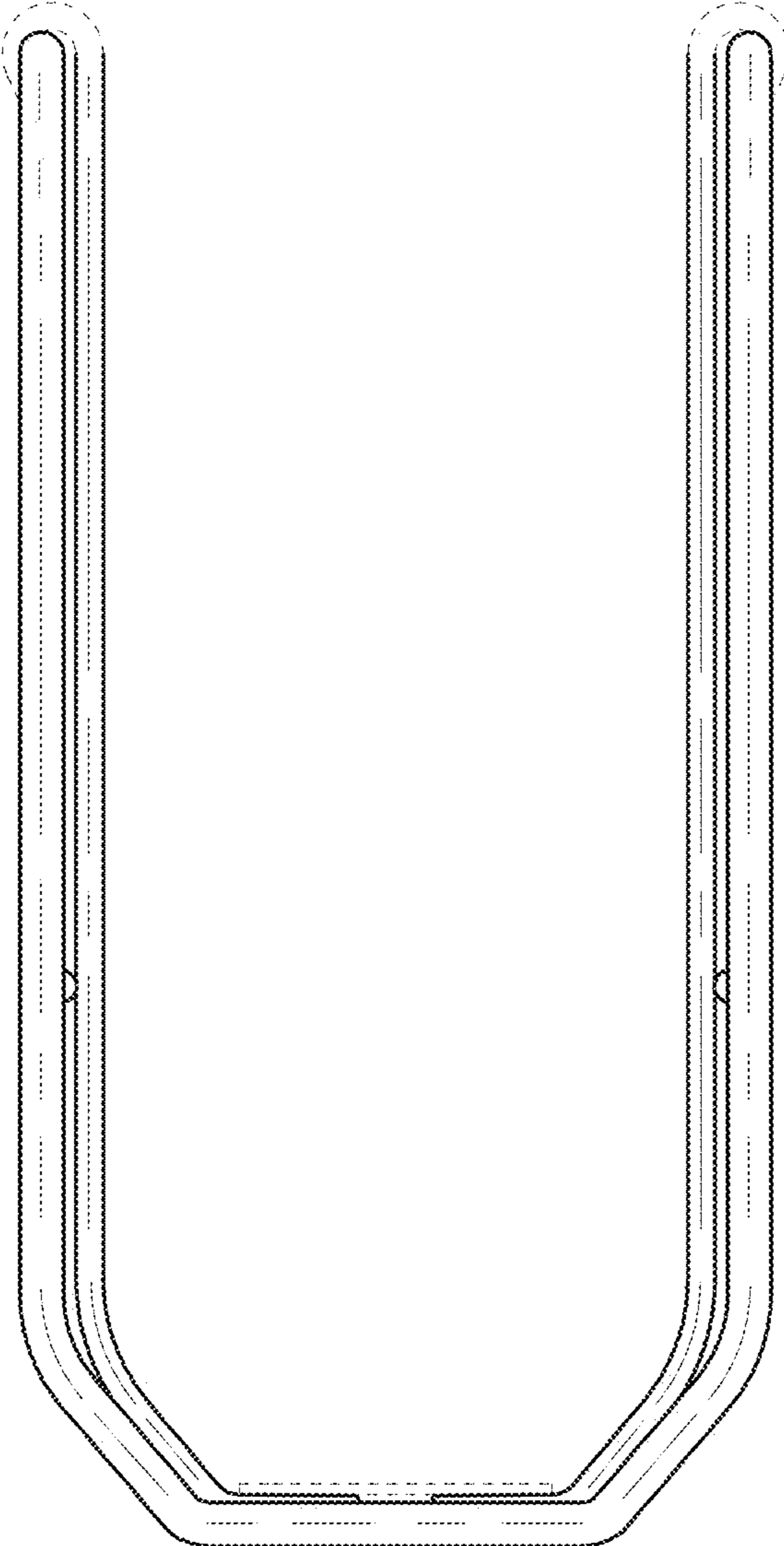


FIG. 3

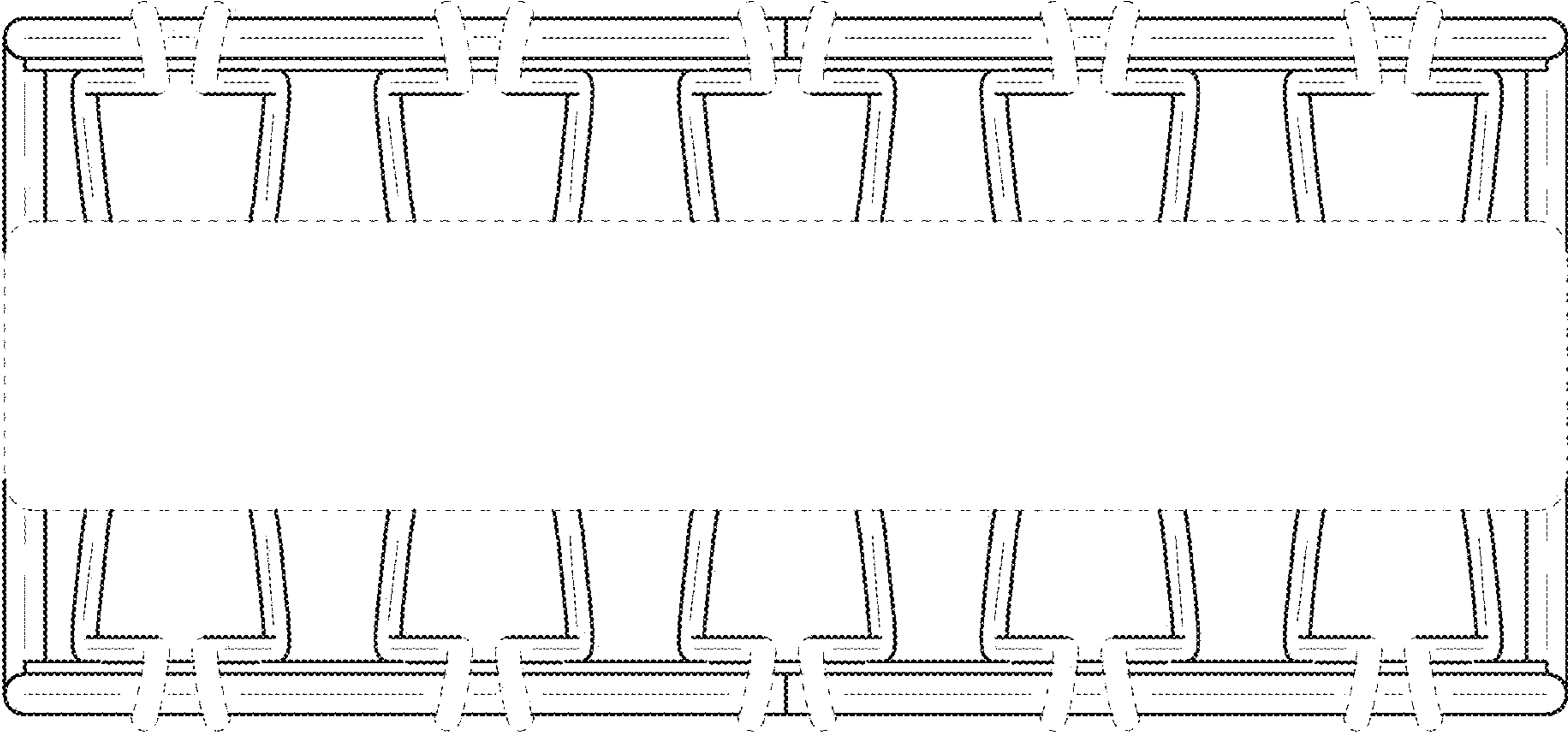


FIG. 4

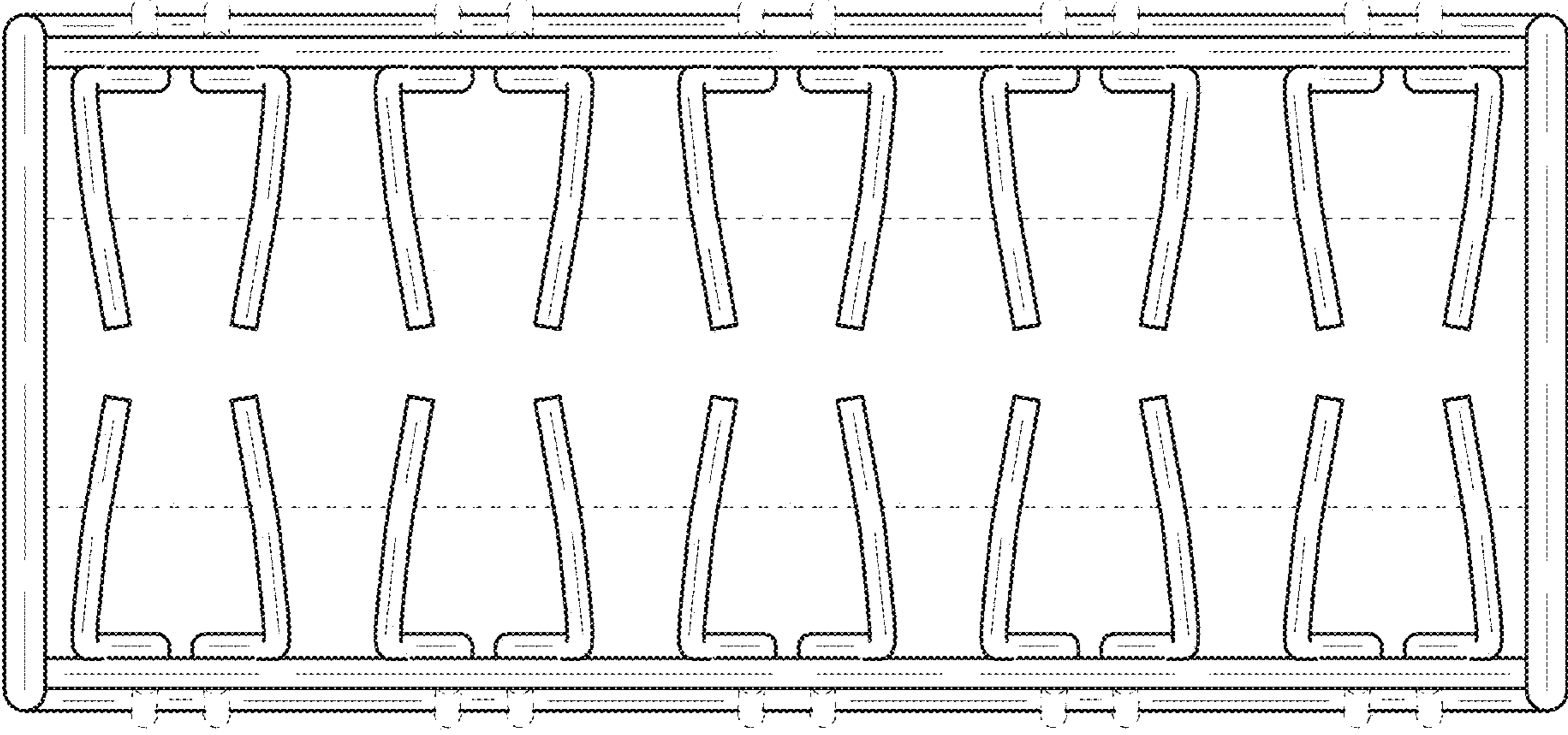


FIG. 5