



US00D913050S

(12) **United States Design Patent**
Patterson et al.

(10) **Patent No.:** **US D913,050 S**
(45) **Date of Patent:** **** Mar. 16, 2021**

(54) **BOTTLE HOLDER**

(71) Applicant: **Huski Limited**, Auckland (NZ)
(72) Inventors: **Alistair Stephen Patterson**, Auckland (NZ); **Oliver James Mcdermott**, Auckland (NZ); **Haydn Andrew Jack**, Auckland (NZ); **Heinz Huesser**, New Plymouth (NZ); **Meika Diane Huesser**, Auckland (NZ); **Simon James Huesser**, Auckland (NZ)

(73) Assignee: **Huski Limited**, Pukekohe (NZ)

(**) Term: **15 Years**

(21) Appl. No.: **29/690,699**

(22) Filed: **May 9, 2019**

(30) **Foreign Application Priority Data**

Nov. 9, 2018 (NZ) 425230

(51) **LOC (13) Cl.** **09-03**

(52) **U.S. Cl.**
USPC **D7/624.3**

(58) **Field of Classification Search**
USPC D7/500, 584, 590, 600.1, 600.2, 602, D7/600.4, 601, 605, 607, 608, 619.1, 620, D7/622, 624.1, 624.2, 624.3, 701, 704; D3/306; D6/574, 571, 705, 677.1
CPC . A47F 5/01; A47F 5/02; A47F 7/0064; A47G 23/0216; A47G 23/0225; A47G
(Continued)

(56) **References Cited**

U.S. PATENT DOCUMENTS

3,120,319 A * 2/1964 Buddrus B65D 81/3886 215/12.2
3,982,651 A * 9/1976 Braun B65D 41/17 220/4.21
D266,391 S * 10/1982 Jordon D7/608
(Continued)

OTHER PUBLICATIONS

YouTube—Huski, Introducing the Huski Wine Cooler, Published Mar. 24, 2019, [site visited Sep. 23, 2020], Available on the Internet URL <https://www.youtube.com/watch?v=PY61gooB8dQ> (Year: 2019).*
(Continued)

Primary Examiner — Karen S Acker
Assistant Examiner — Steven B Reinholdt, Jr.
(74) *Attorney, Agent, or Firm* — David B. Tingey; Bryant J. Keller; Kirton McConkie

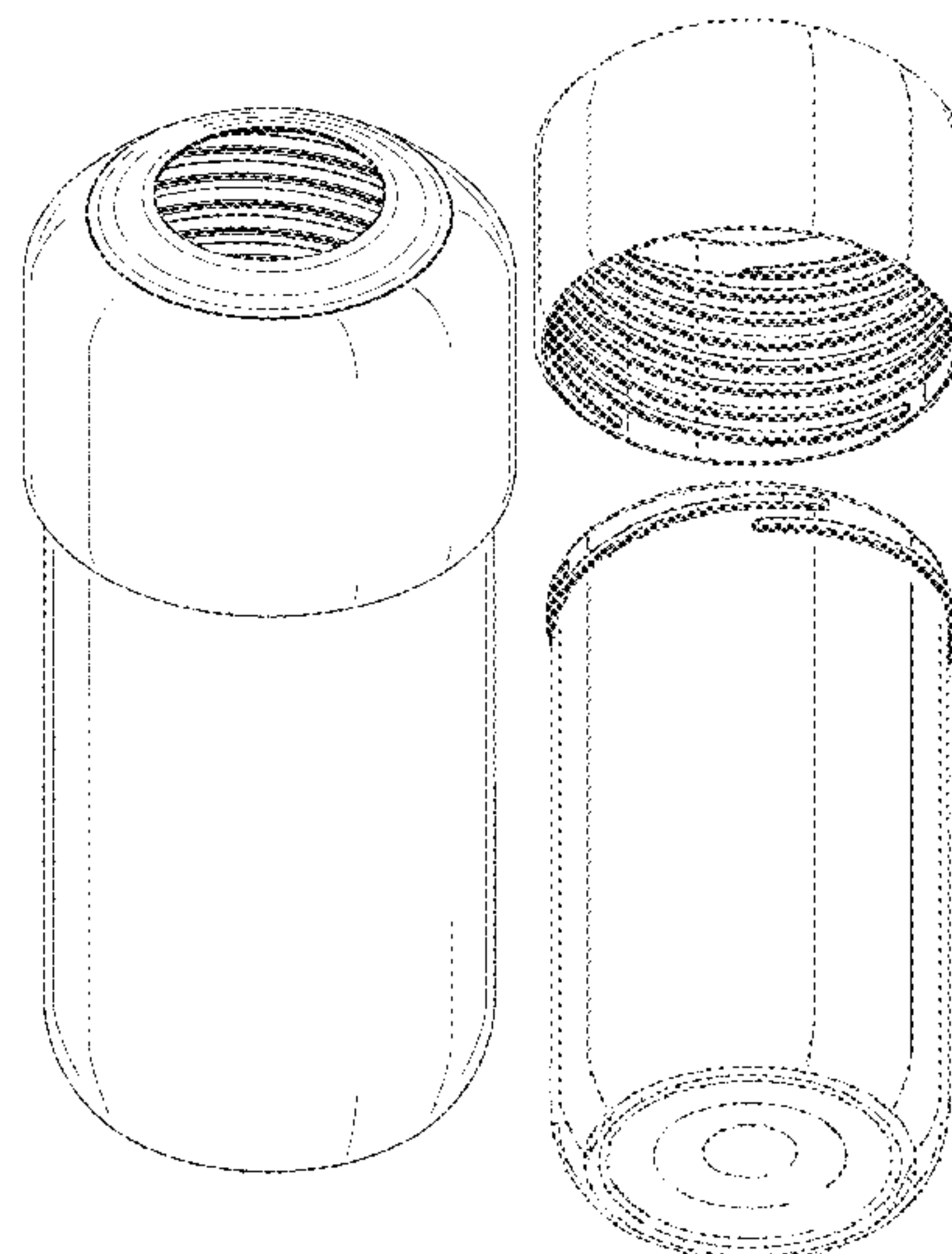
(57) **CLAIM**

The ornamental design for a bottle holder, as shown and described.

DESCRIPTION

FIG. 1 is a front, top perspective view showing our new design for a bottle holder;
FIG. 2 is a front, bottom perspective view thereof;
FIG. 3 is a front elevation view thereof, the back, right, and left side elevation views being mirror images thereof;
FIG. 4 is a top plan view thereof;
FIG. 5 is a bottom plan view thereof;
FIG. 6 is a front, top perspective view of an alternate configuration of FIG. 1 with a top part screwed onto a lower part;
FIG. 7 is a front, bottom perspective view thereof;
FIG. 8 is a front elevation view thereof, the back, right, and left side elevation views being mirror images thereof;
FIG. 9 is a top plan view thereof;
FIG. 10 is bottom plan view thereof;
FIG. 11 is a front, and top perspective exploded view of FIG. 1; and,
FIG. 12 is a front and bottom perspective view thereof.
The dot-dash-dot broken lines in FIGS. 4 and 9 depict the boundaries of the claim and form no part thereof.

1 Claim, 12 Drawing Sheets



(58) **Field of Classification Search**

CPC 23/03; A47G 19/02; A47G 19/025; B65D
1/24; B65D 1/36; A45C 11/20

See application file for complete search history.

(56) **References Cited**

U.S. PATENT DOCUMENTS

D278,121	S	*	3/1985	Sussman	D9/504
D779,892	S	*	2/2017	Seiders	D7/624.2
D813,681	S	*	3/2018	Burns	D9/549
D875,053	S	*	2/2020	Shono	D13/182
D888,505	S	*	6/2020	Seiders	D7/624.2
D889,912	S	*	7/2020	Laukala	D7/608
D892,568	S	*	8/2020	Haas	B65D 81/3876 D7/624.2

OTHER PUBLICATIONS

Instagram website, Huskicooler account, Publication date Sep. 21, 2017, [site visited Sep. 22, 2020], Available on the Internet URL <https://www.instagram.com/huskicooler/?hl=en> (Year: 2017).*

Amazon website, Huski Wine Cooler, Earliest comment date Jun. 6, 2019, [site visited Sep. 22, 2020], Available on the Internet URL <https://www.amazon.com/Huski-Premium-Champagne-Accessory-Stainless/dp/B07RHC25V7/> (Year: 2019).*

* cited by examiner

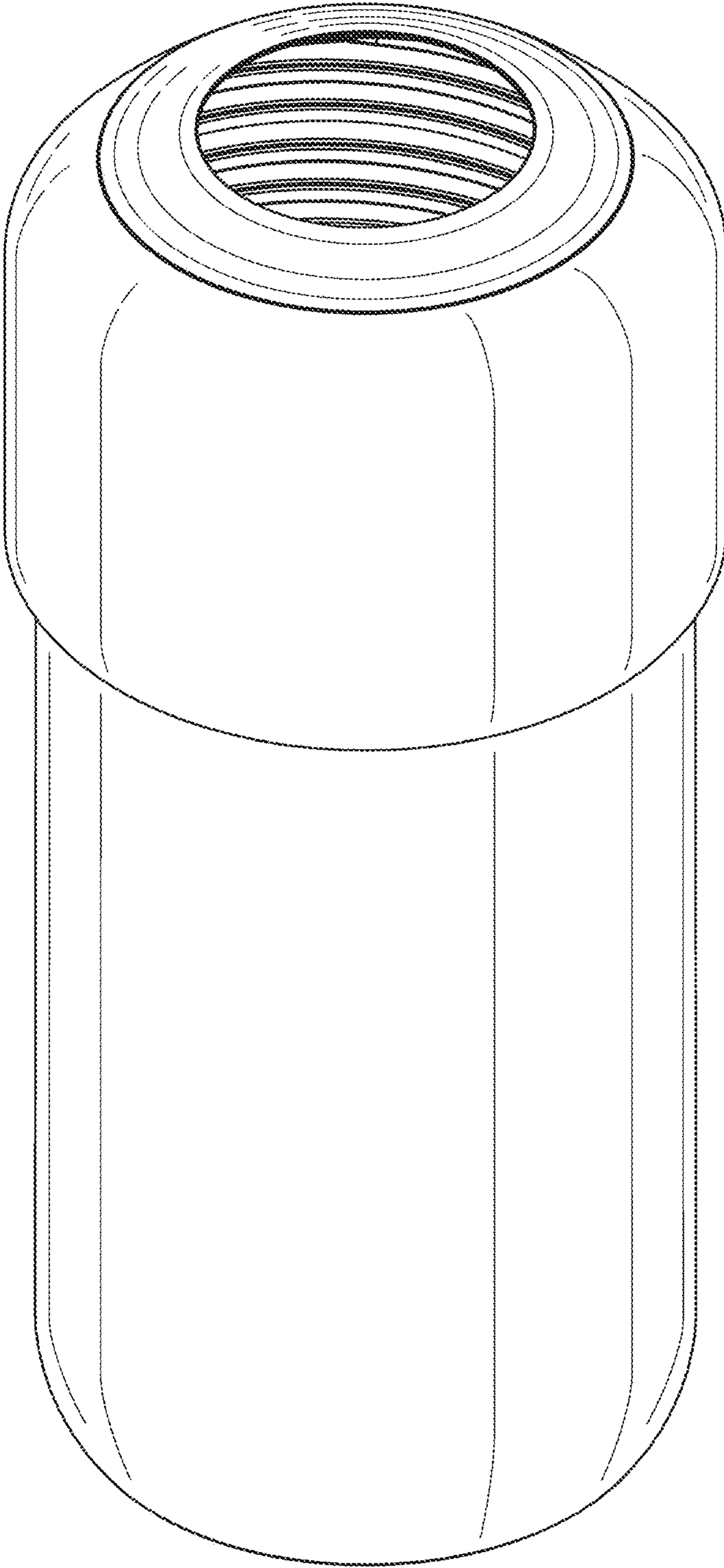


FIG. 1

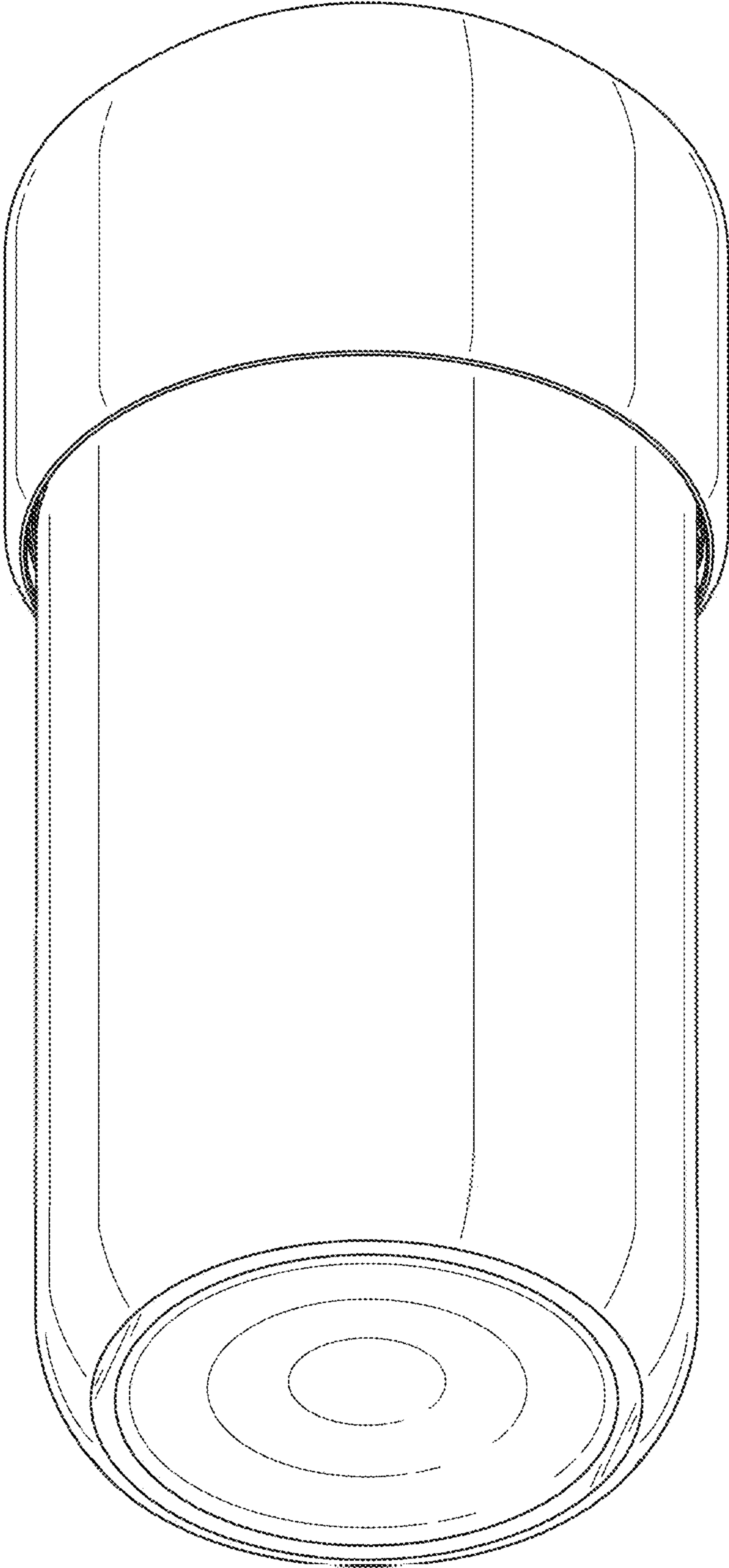


FIG. 2

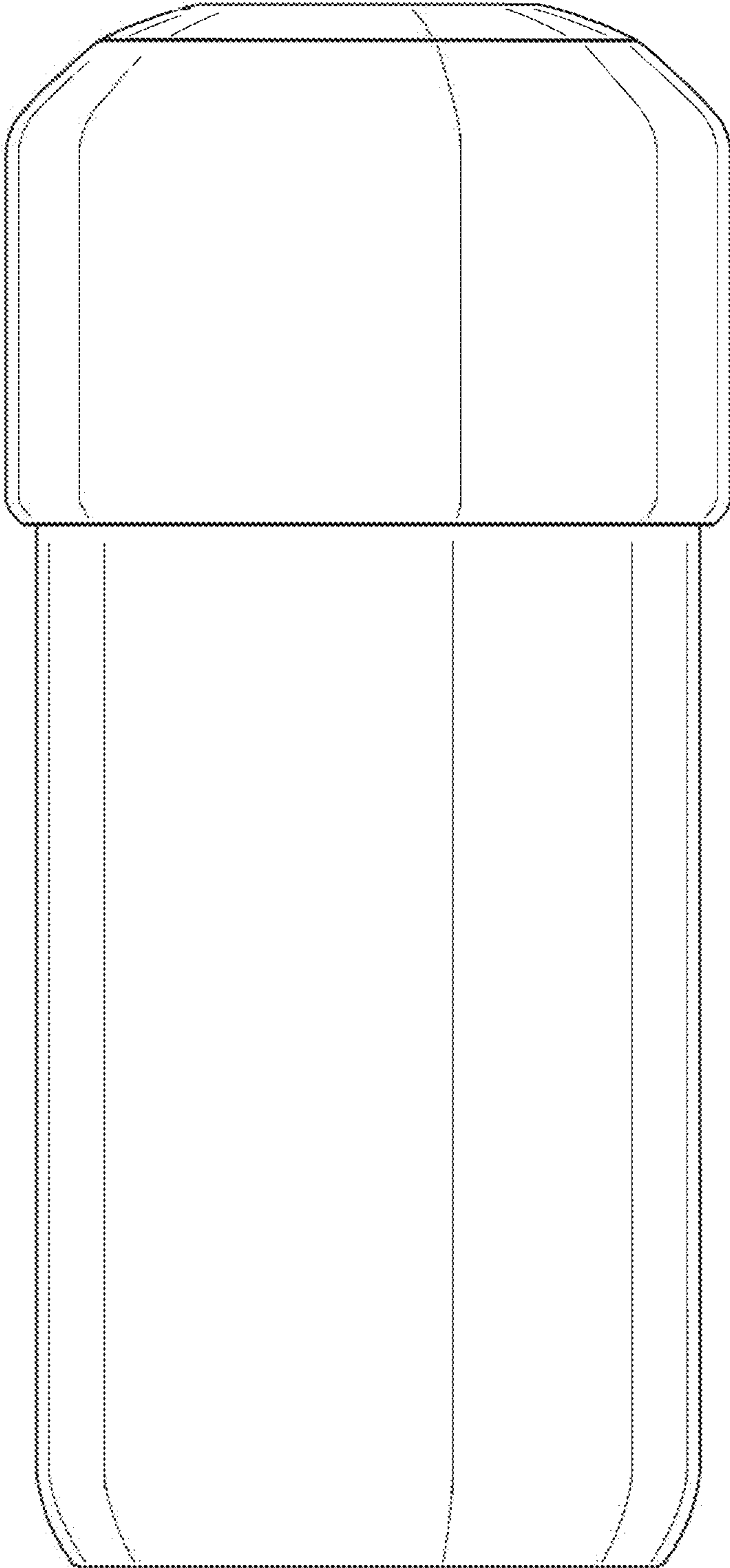


FIG. 3

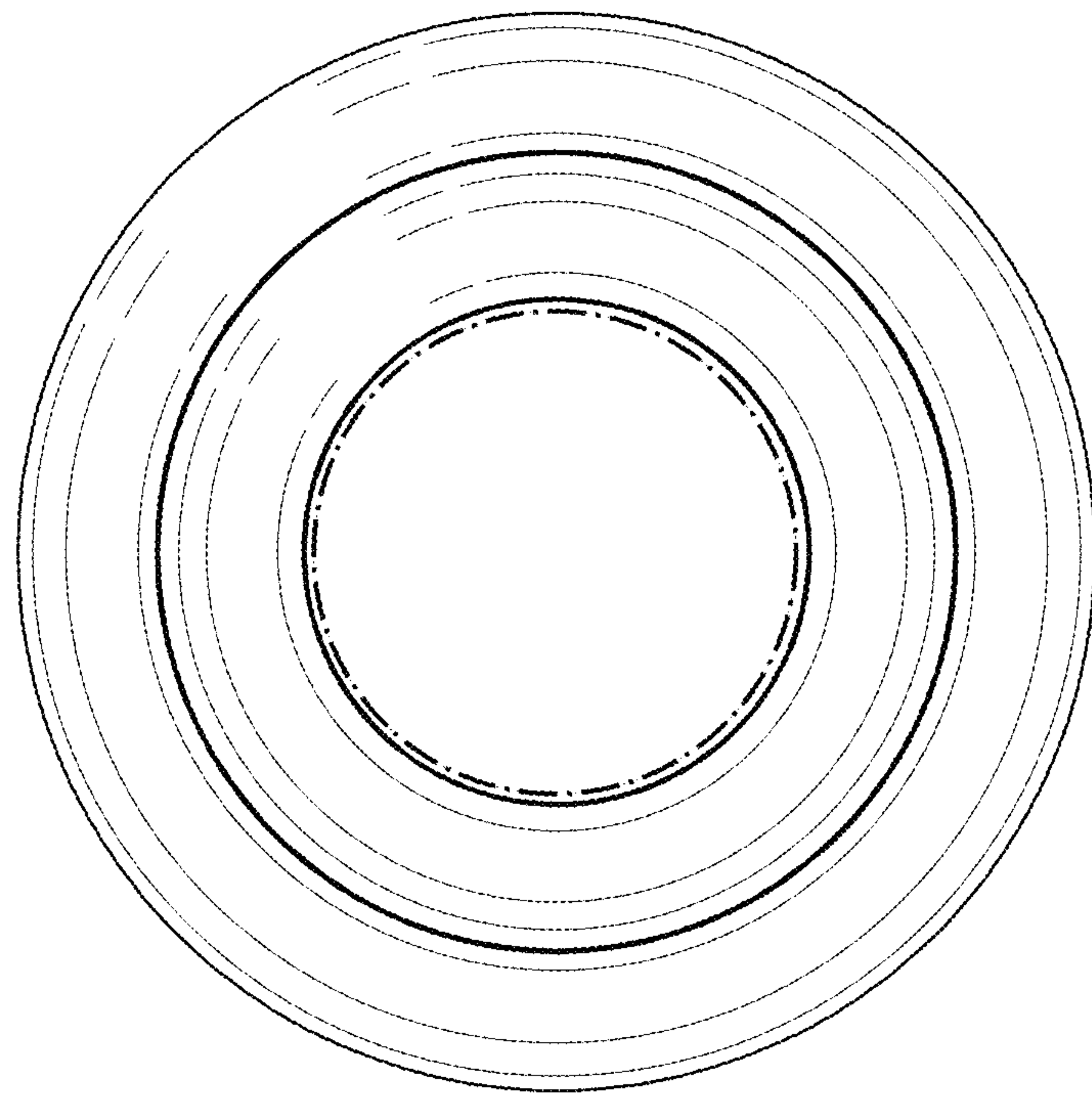


FIG. 4

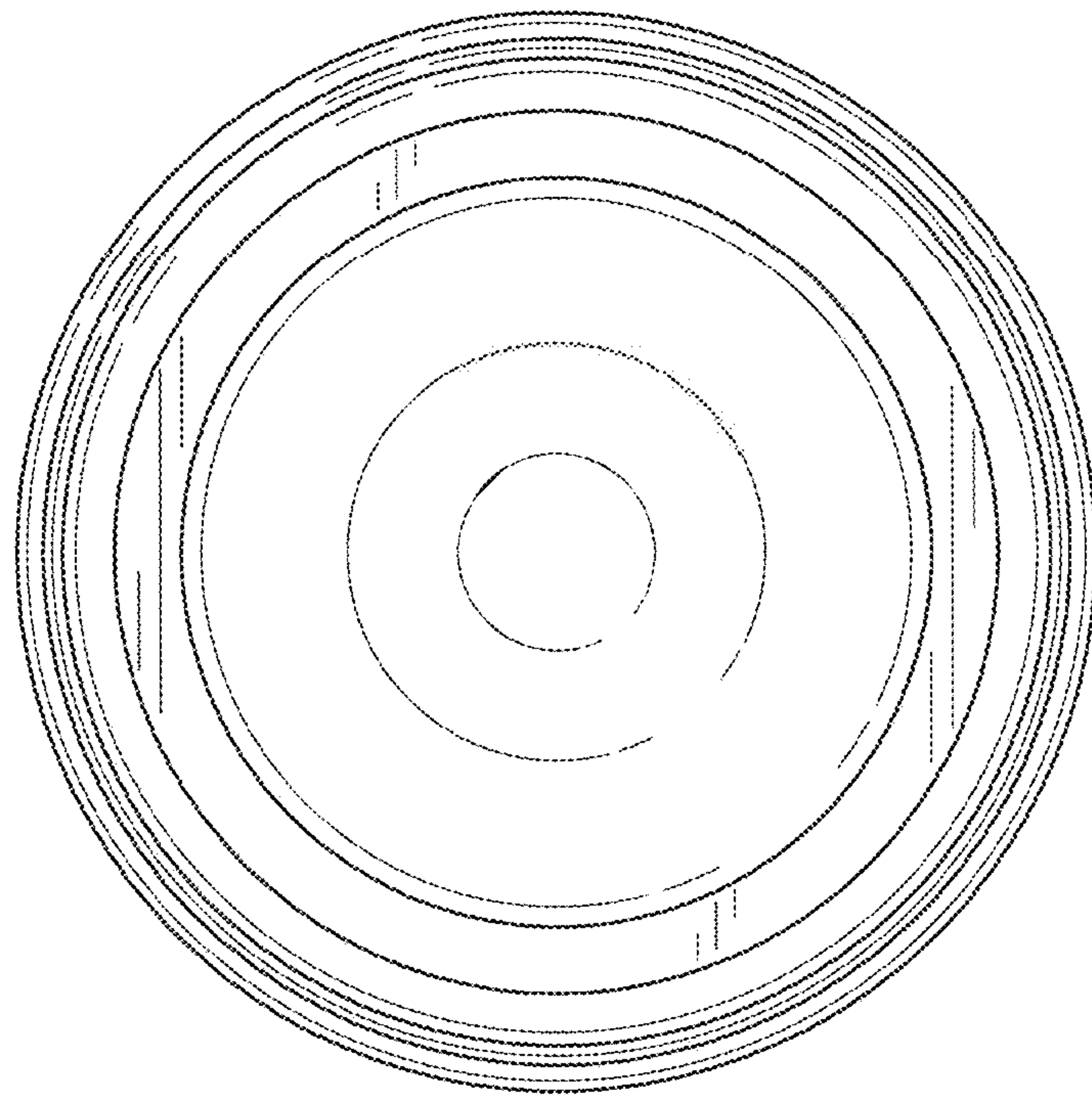


FIG. 5

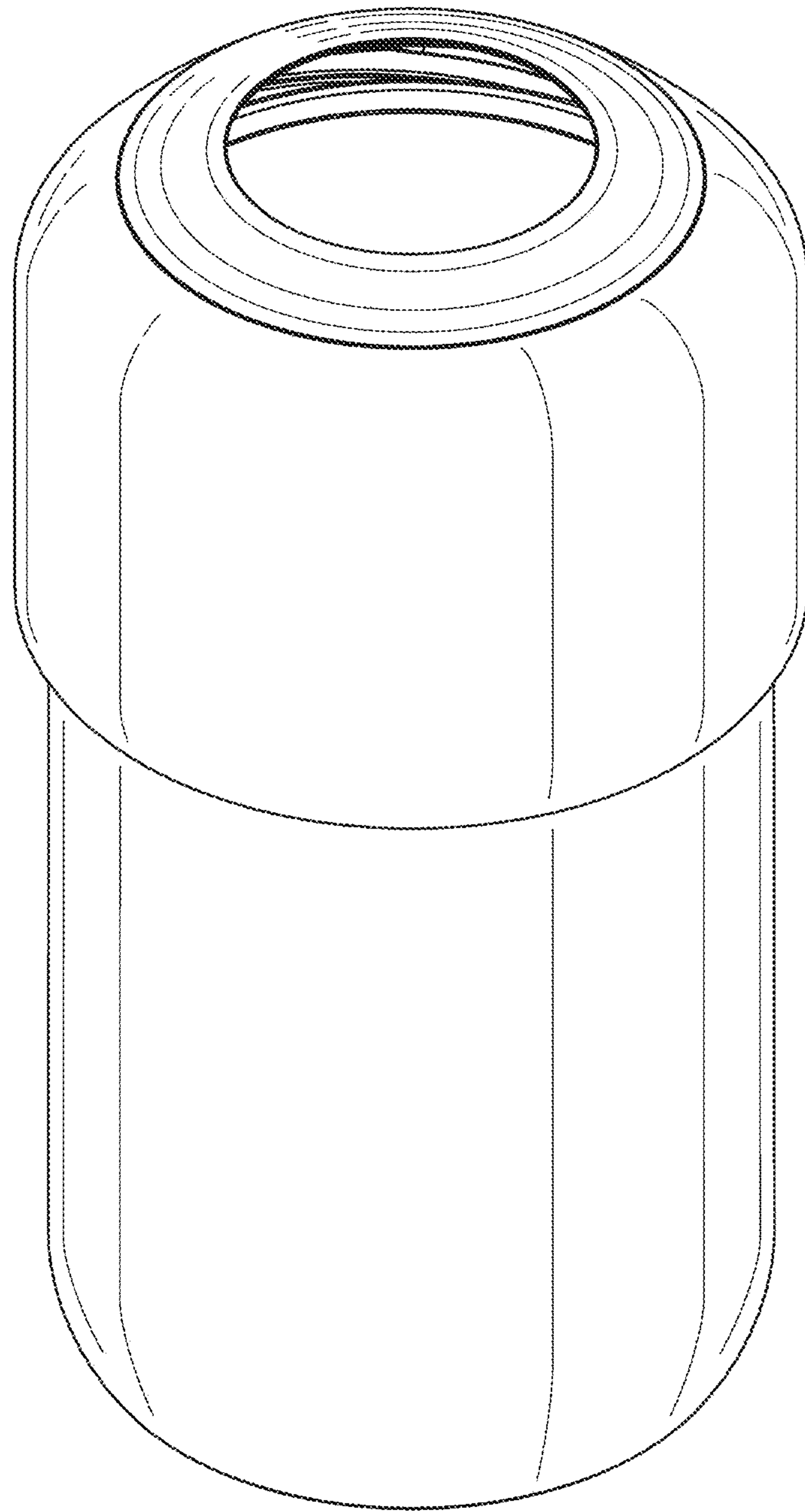


FIG. 6

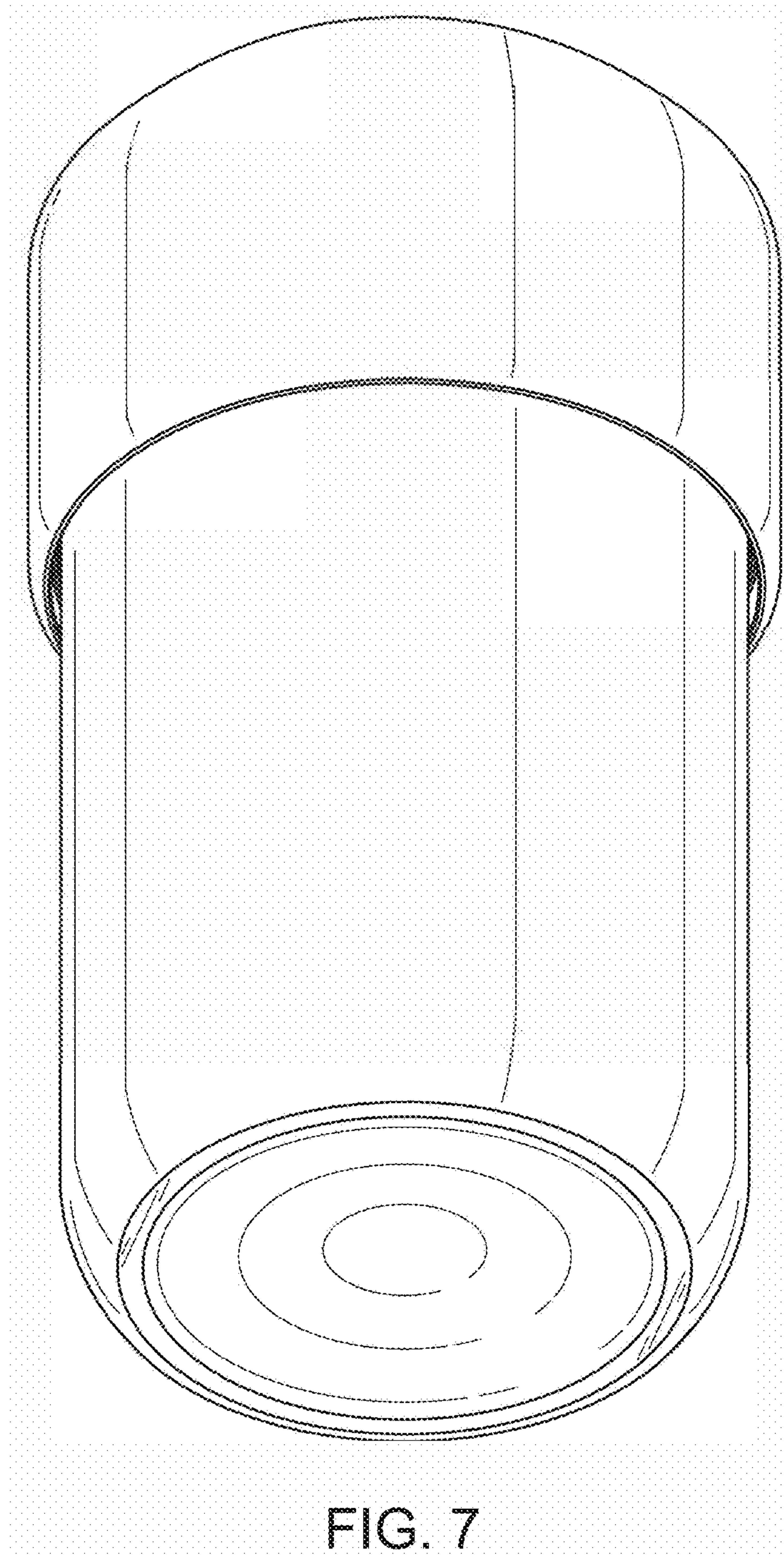


FIG. 7

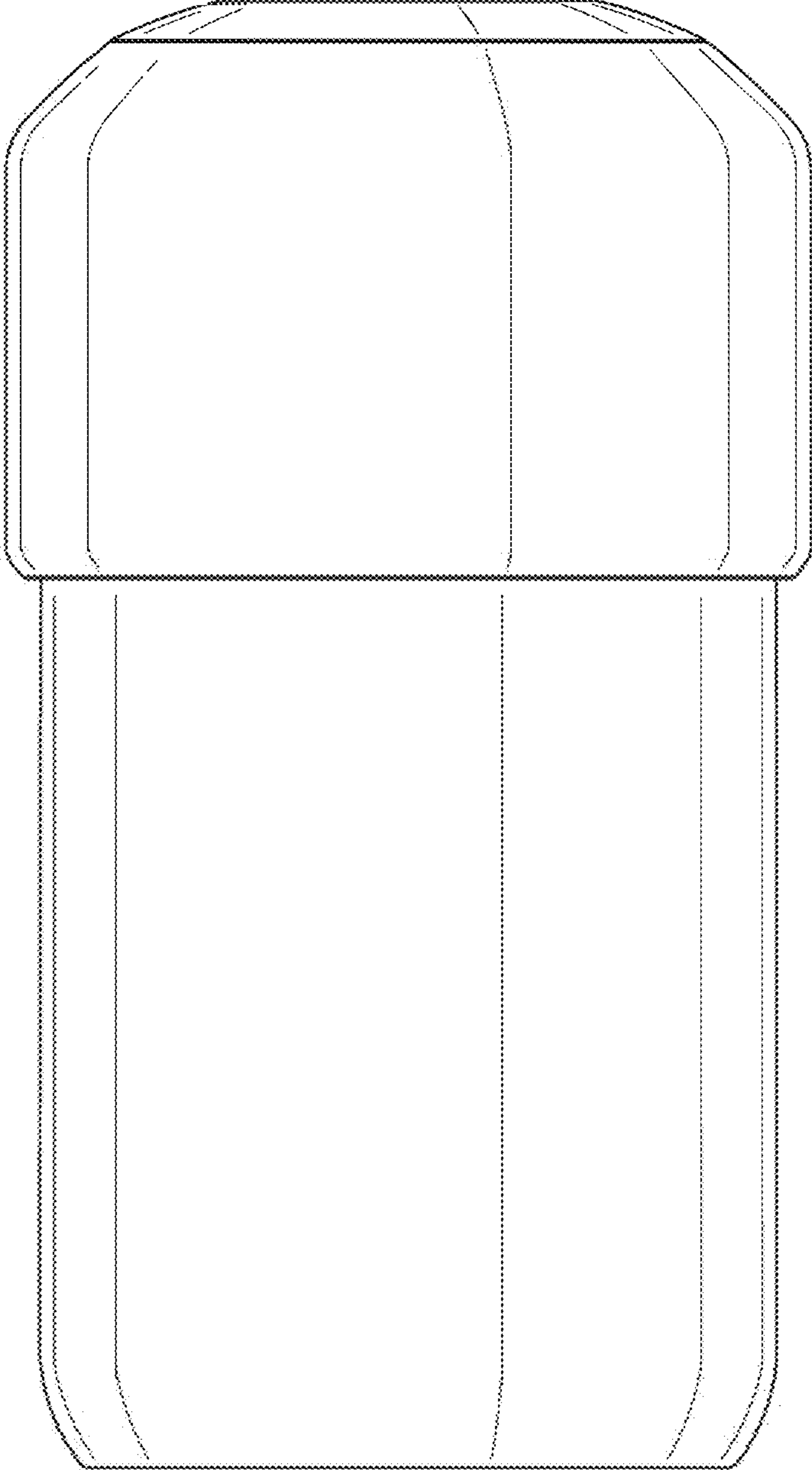


FIG. 8

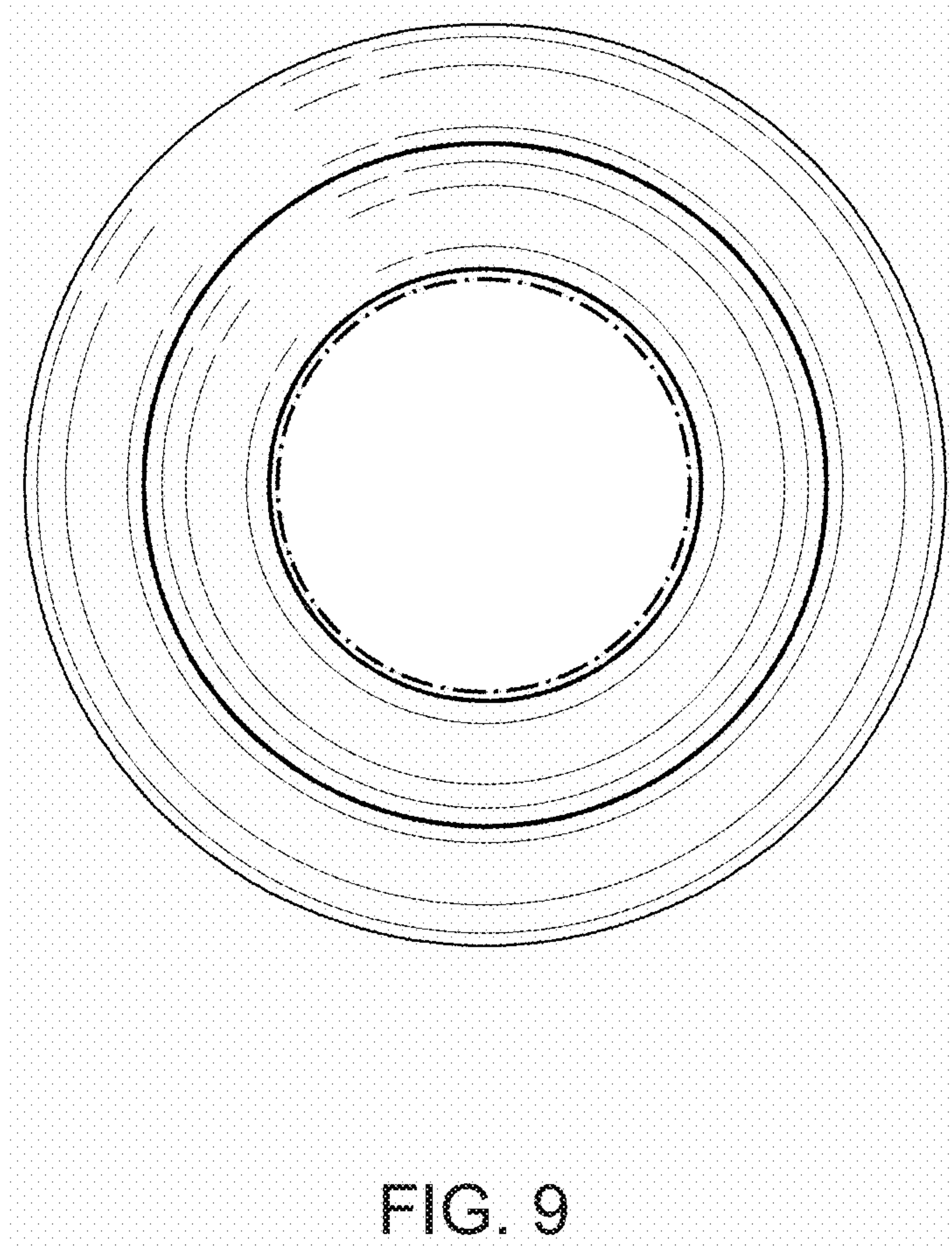


FIG. 9

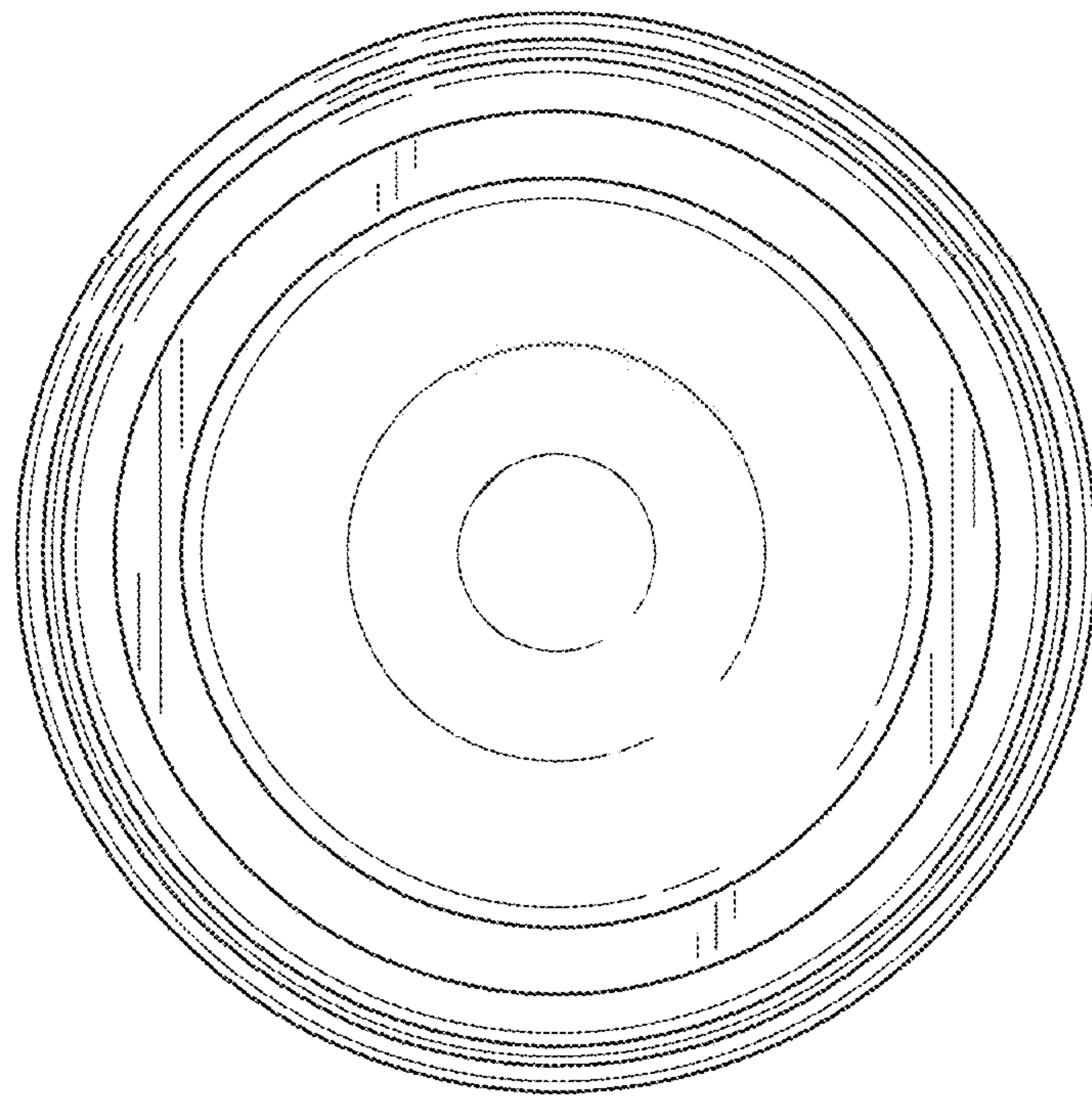


FIG. 10

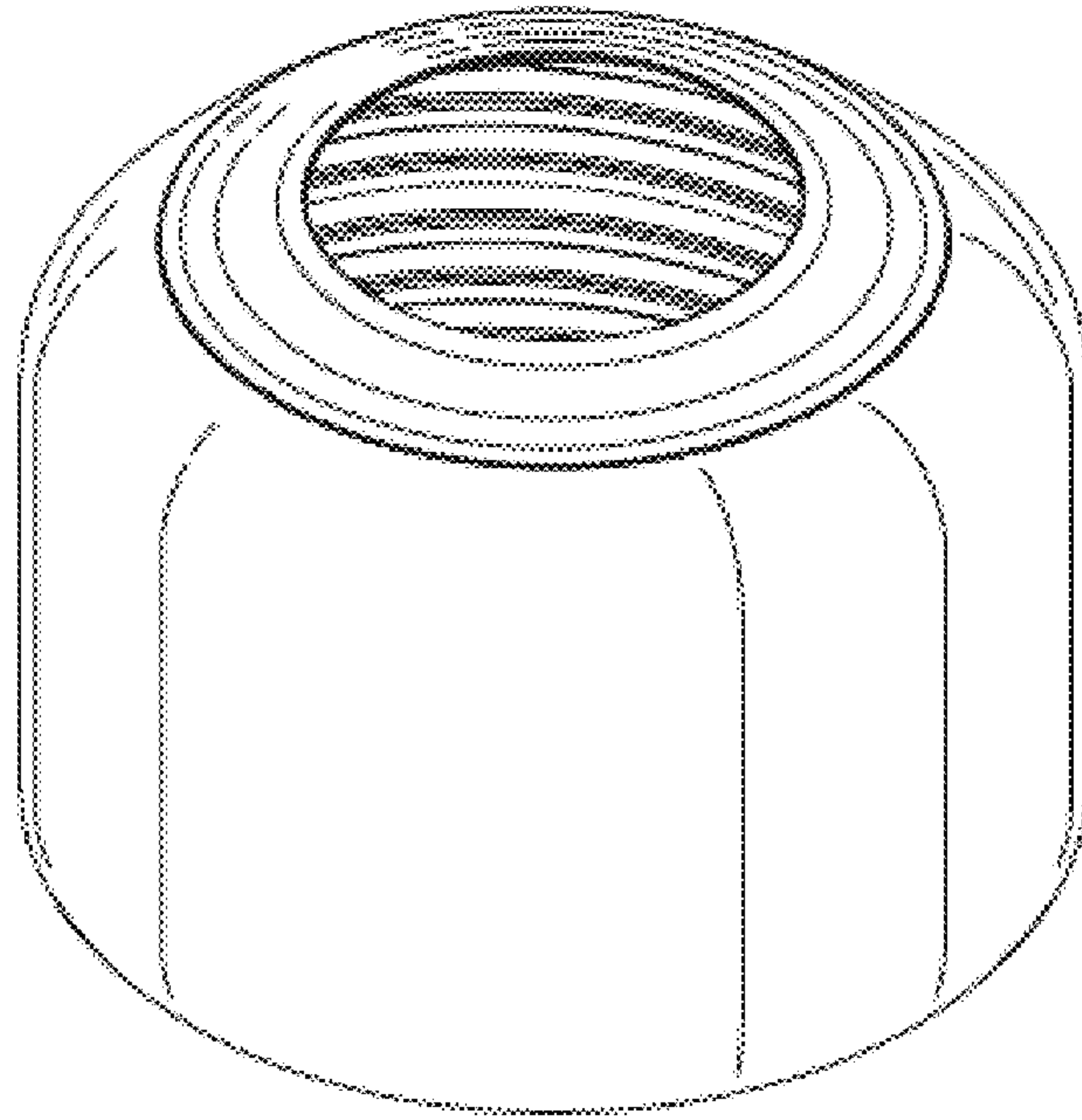
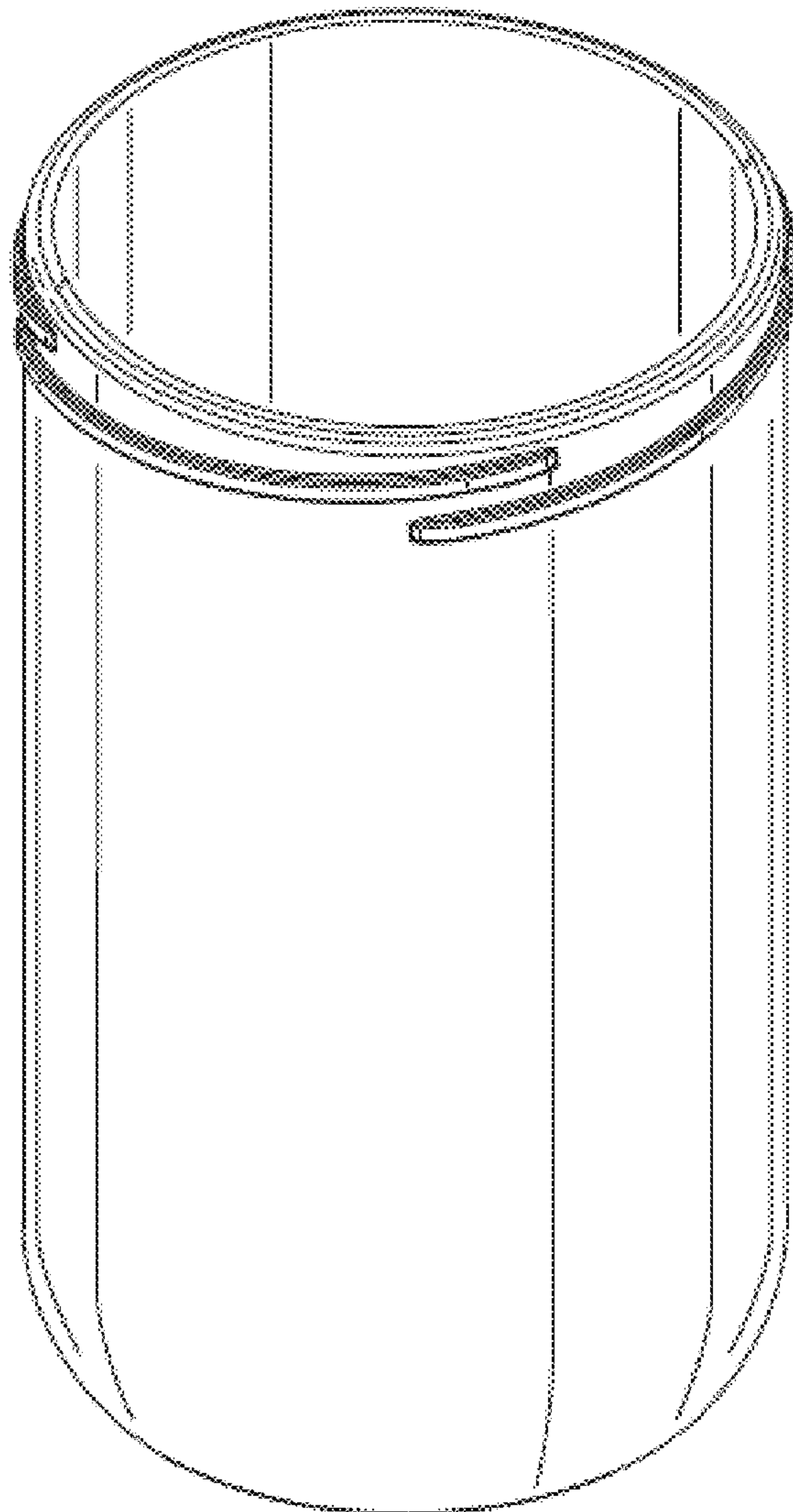


FIG. 11



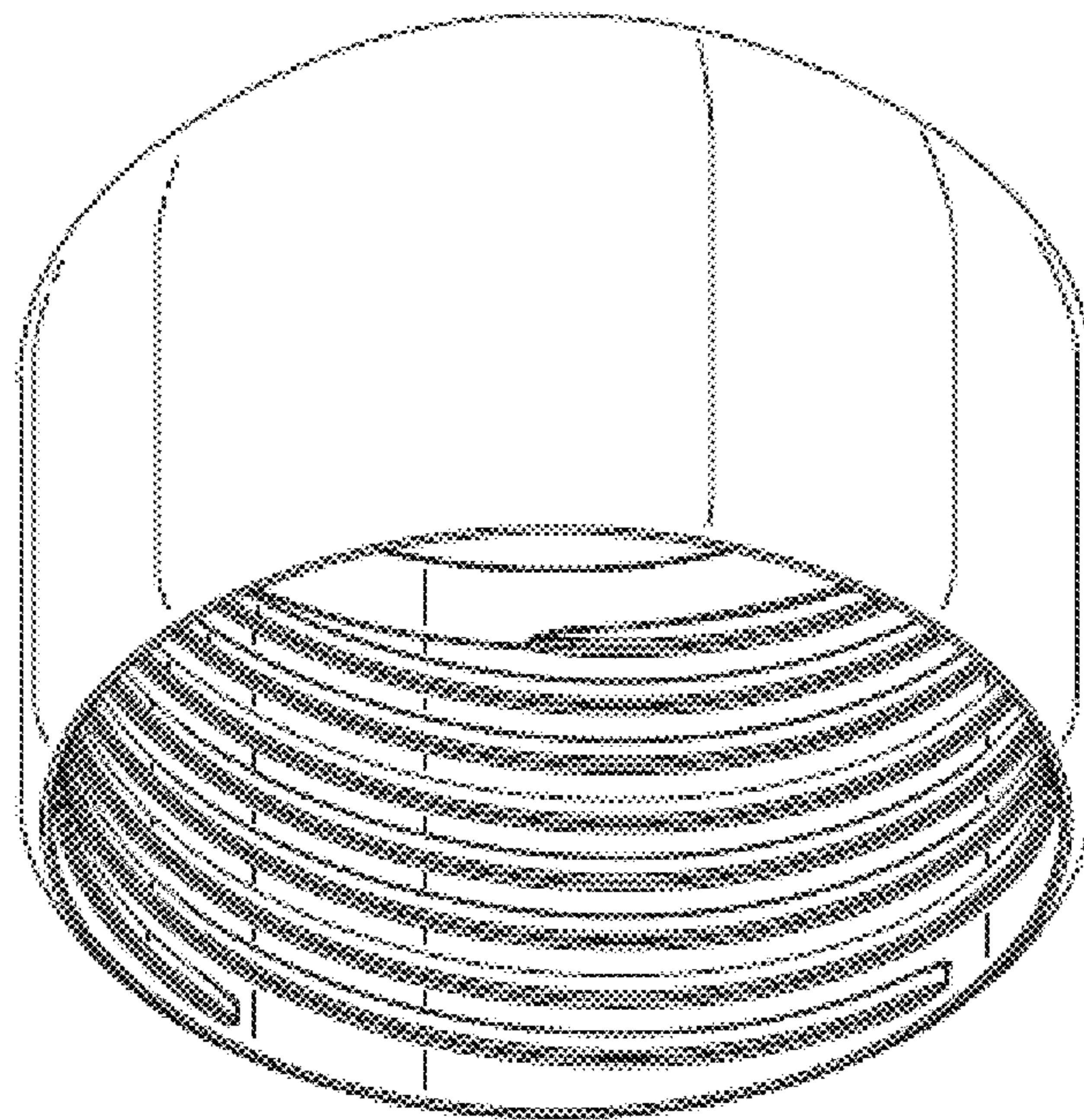


FIG. 12

