



US00D913048S

(12) **United States Design Patent** (10) **Patent No.:** **US D913,048 S**  
**Wu et al.** (45) **Date of Patent:** **\*\* Mar. 16, 2021**

(54) **TELESCOPIC STORAGE CAN**  
(71) Applicants: **Chang-Hsin Wu**, Yunlin County (TW);  
**Yongchao Lin**, Taizhou (CN)  
(72) Inventors: **Chang-Hsin Wu**, Yunlin County (TW);  
**Yongchao Lin**, Taizhou (CN)

D703,008 S \* 4/2014 Wampold ..... D7/606  
D770,239 S \* 11/2016 Lonner ..... D7/629  
D775,496 S \* 1/2017 Szucs ..... D7/629  
D867,066 S \* 11/2019 Sletten ..... D7/510  
2010/0206766 A1 \* 8/2010 Warman ..... B65D 83/04  
206/538

(\*\*) Term: **15 Years**  
(21) Appl. No.: **29/669,647**  
(22) Filed: **Nov. 9, 2018**

(30) **Foreign Application Priority Data**  
May 14, 2018 (CN) ..... 201830219746.0  
(51) **LOC (13) Cl.** ..... **09-02**  
(52) **U.S. Cl.**  
USPC ..... **D7/612; D7/629**  
(58) **Field of Classification Search**  
USPC ..... D7/509-511, 512, 523, 538, 540, 541,  
D7/542, 584, 585, 586, 300, 300.1, 701,  
D7/372, 630, 601, 602; D9/763, 772,  
D9/774, 549, 556; D3/201, 202; D34/1  
CPC . A47J 43/27; A47J 47/02; A47J 47/08; A47G  
19/00; A47G 2019/2277; A45F 3/16;  
A45F 3/20; B65D 1/12; B65D 81/3837  
See application file for complete search history.

(56) **References Cited**  
U.S. PATENT DOCUMENTS  
D312,400 S \* 11/1990 Schwaikert ..... D9/424  
D506,359 S \* 6/2005 Zettle ..... D7/615  
D537,682 S \* 3/2007 Roth ..... D7/523  
D632,133 S \* 2/2011 Giraud ..... D7/510

**OTHER PUBLICATIONS**

Telescopic Storage Bottle | posted at gearbest.com, no posting date,  
[online], [site visited Dec. 23, 2019]. Available from Internet,  
<URL:https://www.gearbest.com/coffee-tea-tools/pp\_009245332416.  
html> (Year: 2019).\*

\* cited by examiner

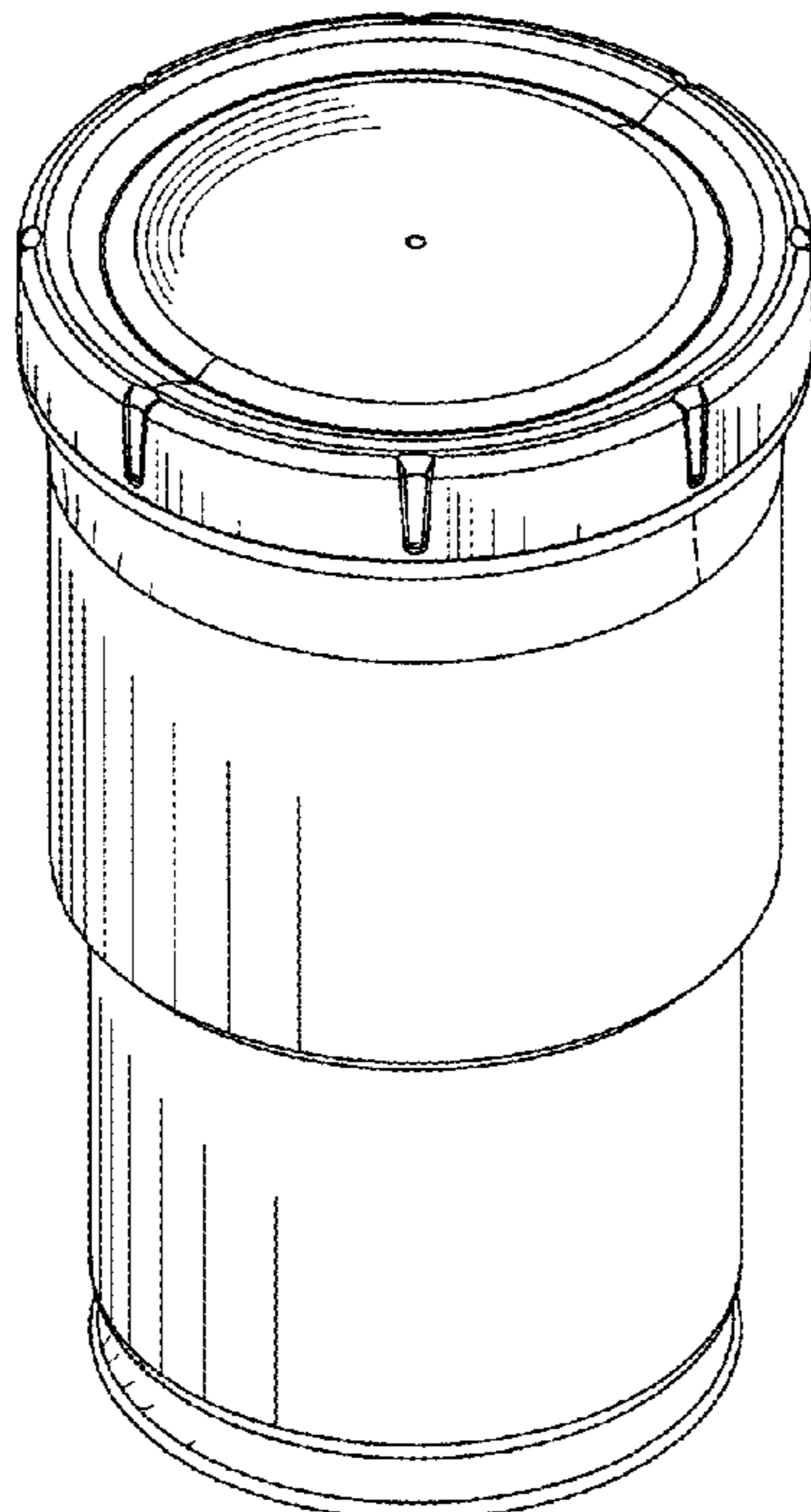
*Primary Examiner* — Susan E Krakower  
*Assistant Examiner* — Andrew Kerr  
(74) *Attorney, Agent, or Firm* — FisherBroyles, LLP

(57) **CLAIM**  
The ornamental design for a telescopic storage can, as  
shown and described.

**DESCRIPTION**

FIG. 1 is a perspective view of a telescopic storage can  
showing my our new design;  
FIG. 2 is a front elevational view thereof;  
FIG. 3 is a rear elevational view thereof;  
FIG. 4 is a left side elevational view thereof;  
FIG. 5 is a right side elevational view thereof;  
FIG. 6 is a top plan view thereof; and,  
FIG. 7 is a bottom plan view thereof.  
The broken lines shown in the FIG. 7 are for the purpose of  
illustrating portions of the telescopic storage can which form  
no part of the claimed design.

**1 Claim, 7 Drawing Sheets**



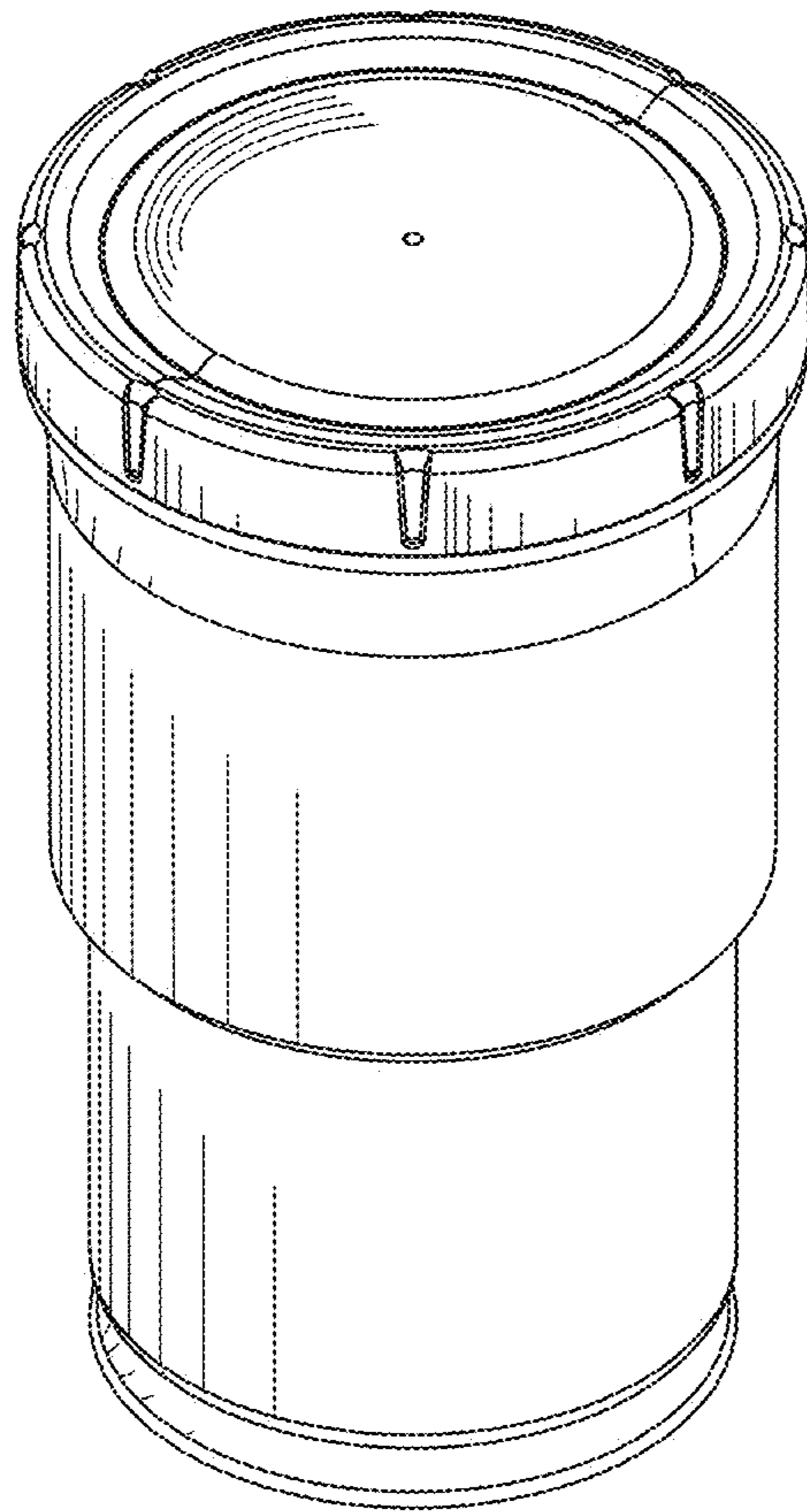


Fig. 1

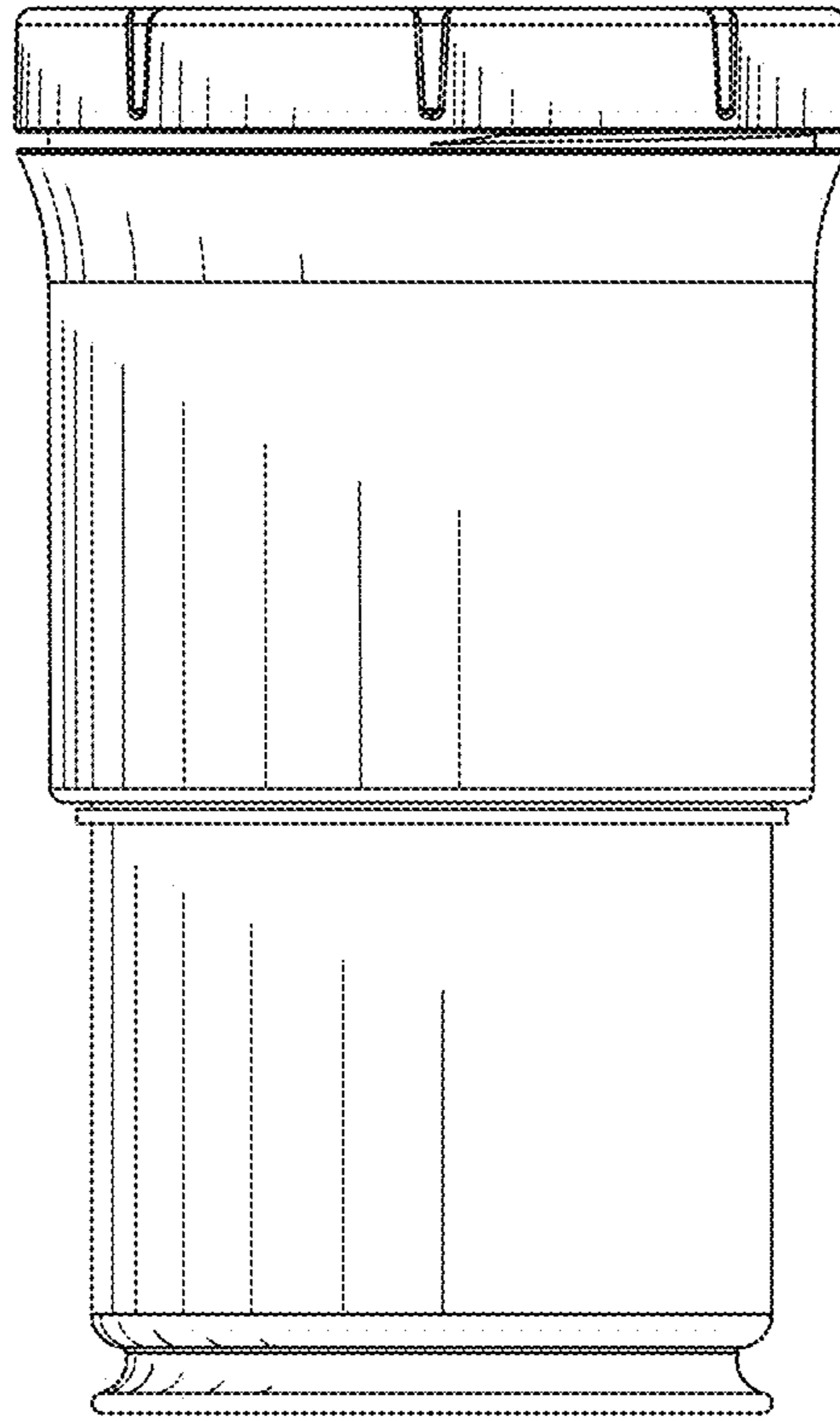


Fig. 2

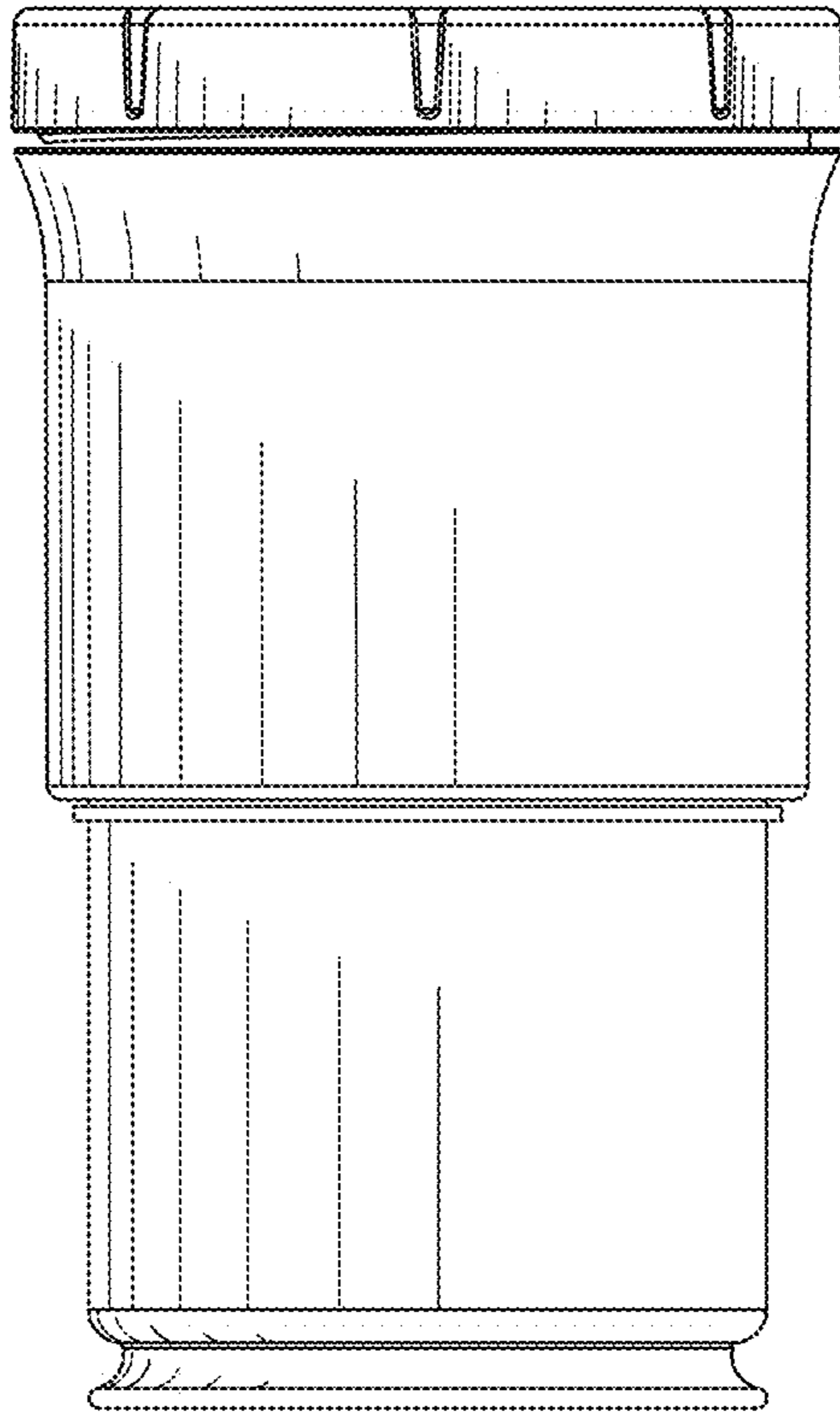


Fig. 3

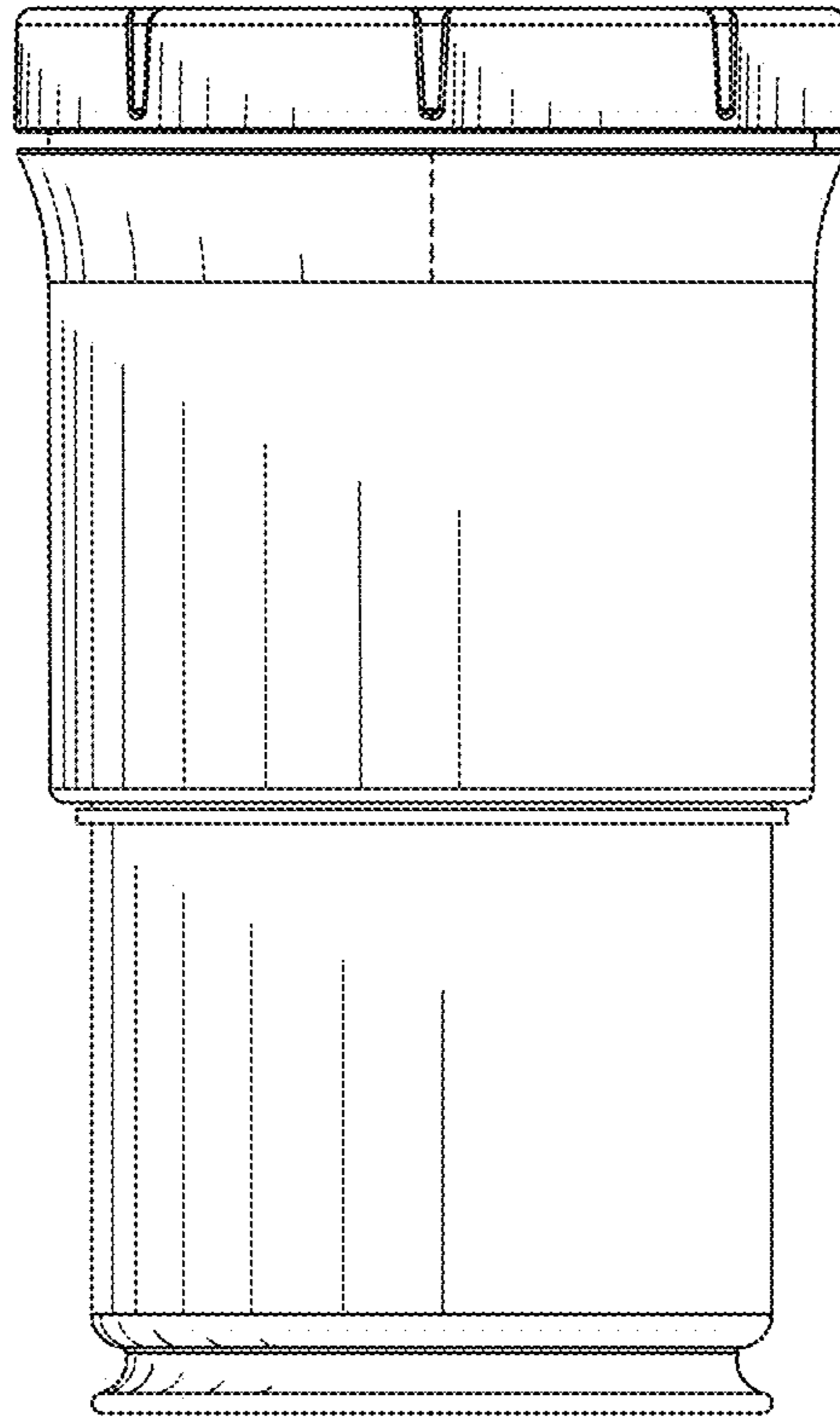


Fig. 4

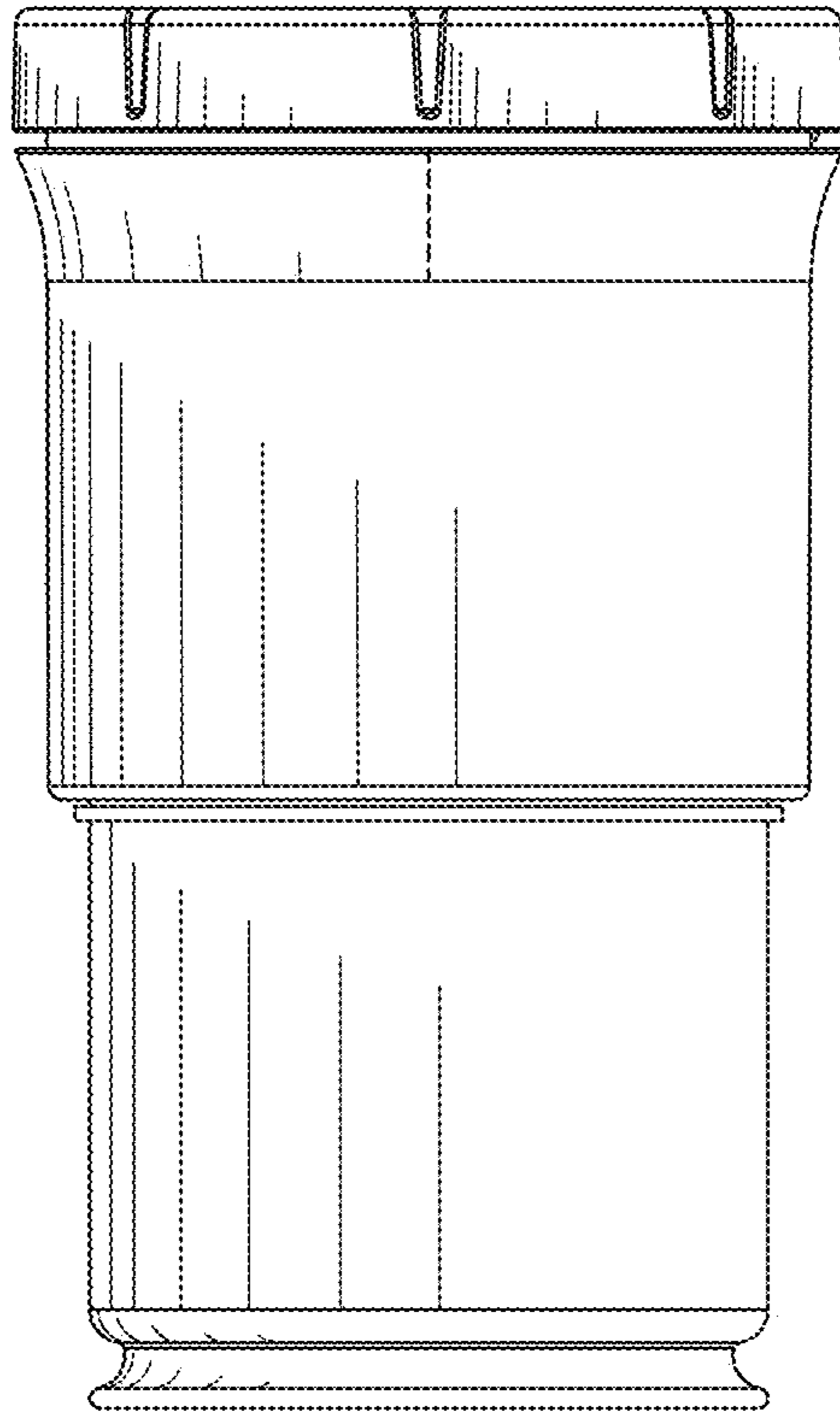


Fig. 5

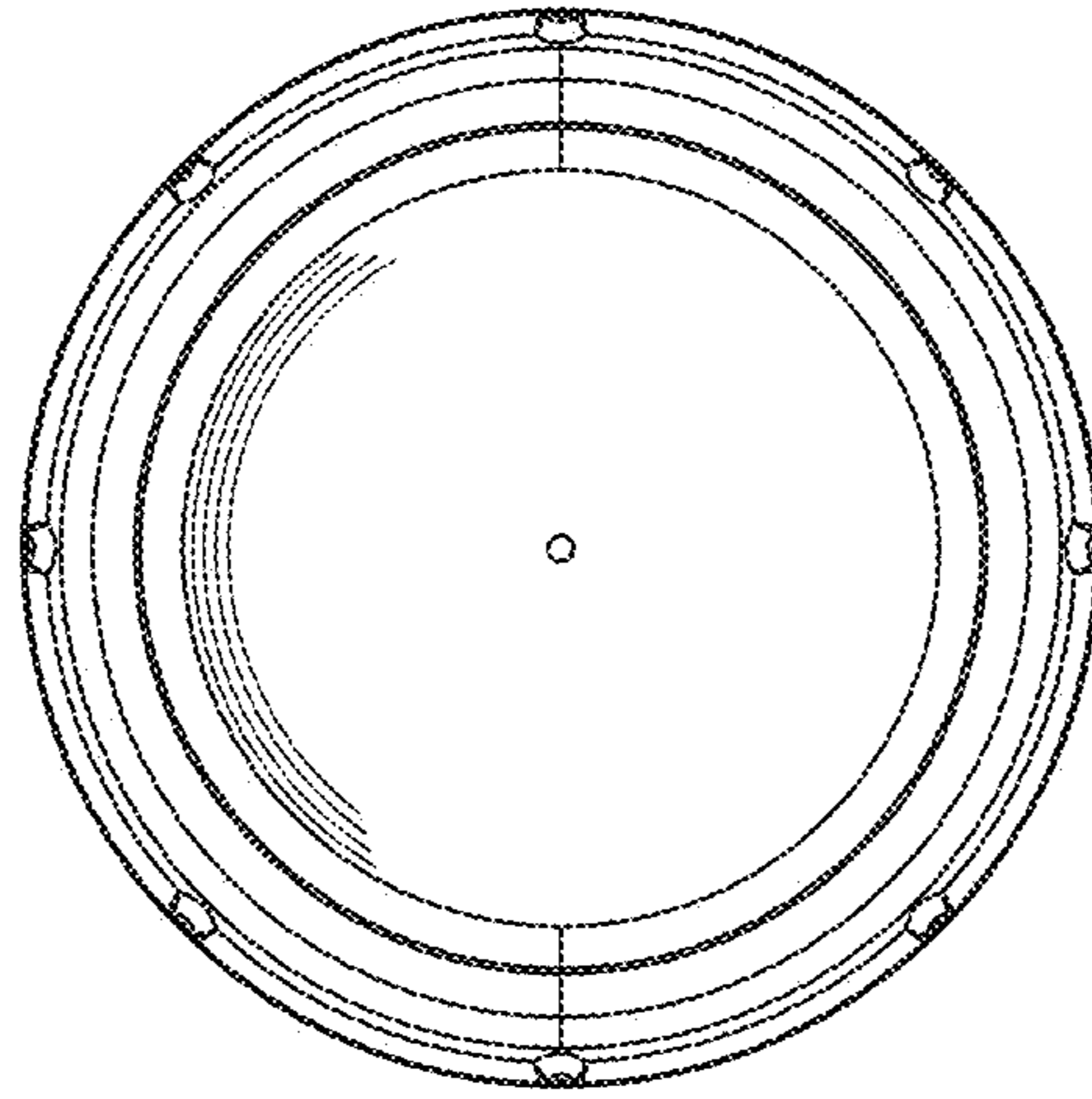


Fig. 6

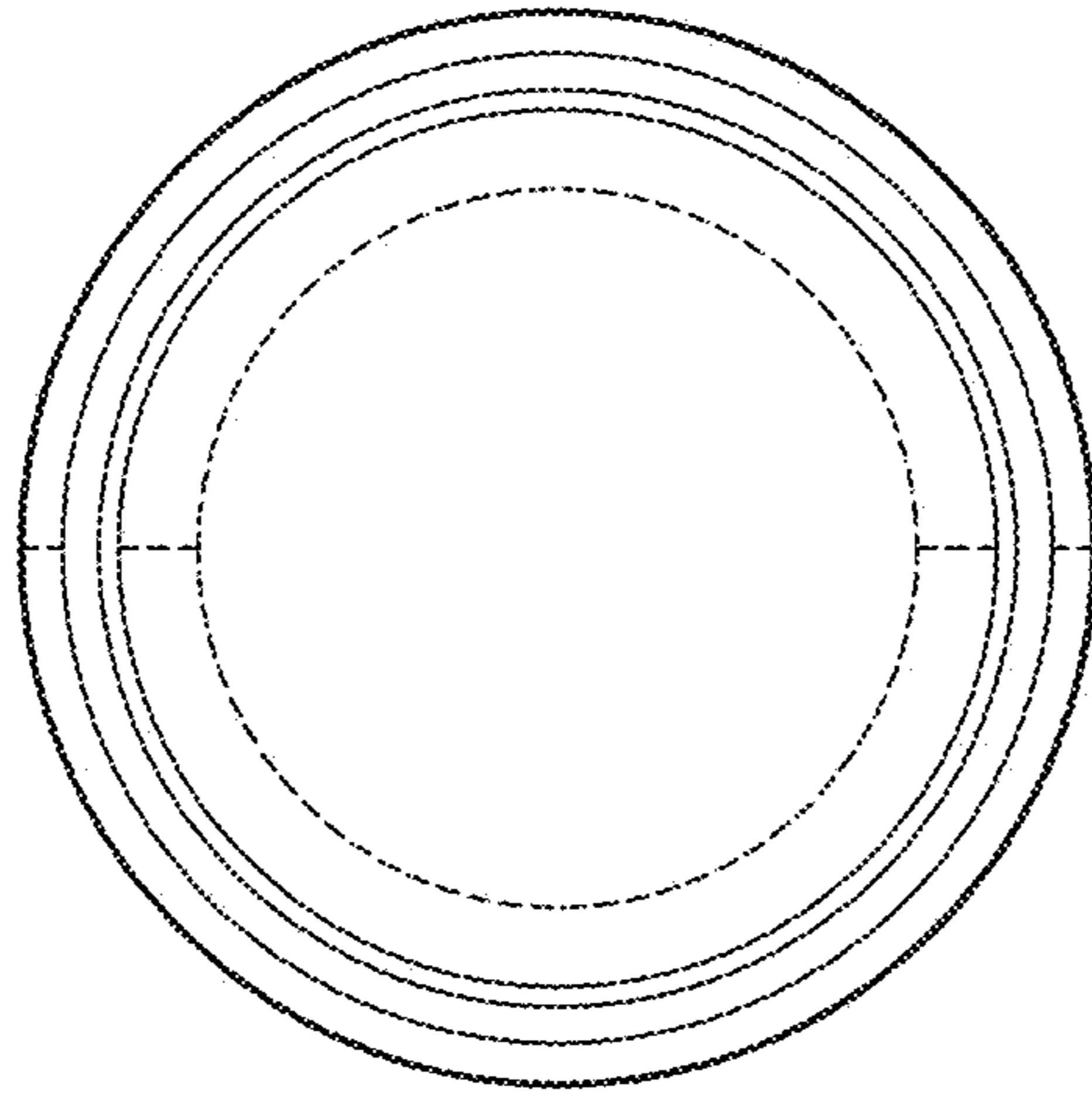


Fig. 7