



US00D913047S

(12) **United States Design Patent**  
**Spivey et al.**

(10) **Patent No.:** **US D913,047 S**

(45) **Date of Patent:** **\*\* Mar. 16, 2021**

(54) **CONTAINER FOR LIQUIDS**

(71) Applicant: **Base Brands, LLC**, Atlanta, GA (US)

(72) Inventors: **Patrick Spivey**, Atlanta, GA (US);  
**Kenneth Krefle**, Atlanta, GA (US)

(73) Assignee: **Base Brands, LLC**, Atlanta, GA (US)

(\*\*) Term: **15 Years**

(21) Appl. No.: **29/696,149**

(22) Filed: **Jun. 25, 2019**

(51) **LOC (13) Cl.** ..... **07-01**

(52) **U.S. Cl.**  
USPC ..... **D7/608**

(58) **Field of Classification Search**  
USPC ..... D7/509–511, 605–608; D9/500–504,  
D9/549, 559, 574  
CPC ..... B65D 81/3837; B65D 81/3839; B65D  
81/3841; B65D 81/3844; B65D 81/3846;  
B65D 81/3869; A47J 41/0005; A47J  
41/0083; A47J 41/02; A47J 41/024; A47J  
41/026; A47J 41/028; A47J 41/0077;  
A47J 41/00; A47J 41/022; F25D  
2331/803; F25D 3/08; A45C 11/20  
See application file for complete search history.

(56) **References Cited**

**U.S. PATENT DOCUMENTS**

2,963,187 A \* 12/1960 Bramming ..... A47J 41/02  
215/12.1  
3,110,408 A \* 11/1963 Bramming ..... A47J 41/02  
215/12.1

D295,355 S \* 4/1988 Leung ..... D7/608  
4,792,994 A \* 12/1988 Aylward ..... H04B 1/08  
206/542  
2017/0349331 A1\* 12/2017 Choltco-Devlin .....  
B65D 25/2817  
2018/0105346 A1\* 4/2018 Tolman ..... A47J 41/0016

\* cited by examiner

*Primary Examiner* — Terry A Wallace

(74) *Attorney, Agent, or Firm* — Park, Vaughan, Fleming  
& Dowler LLP

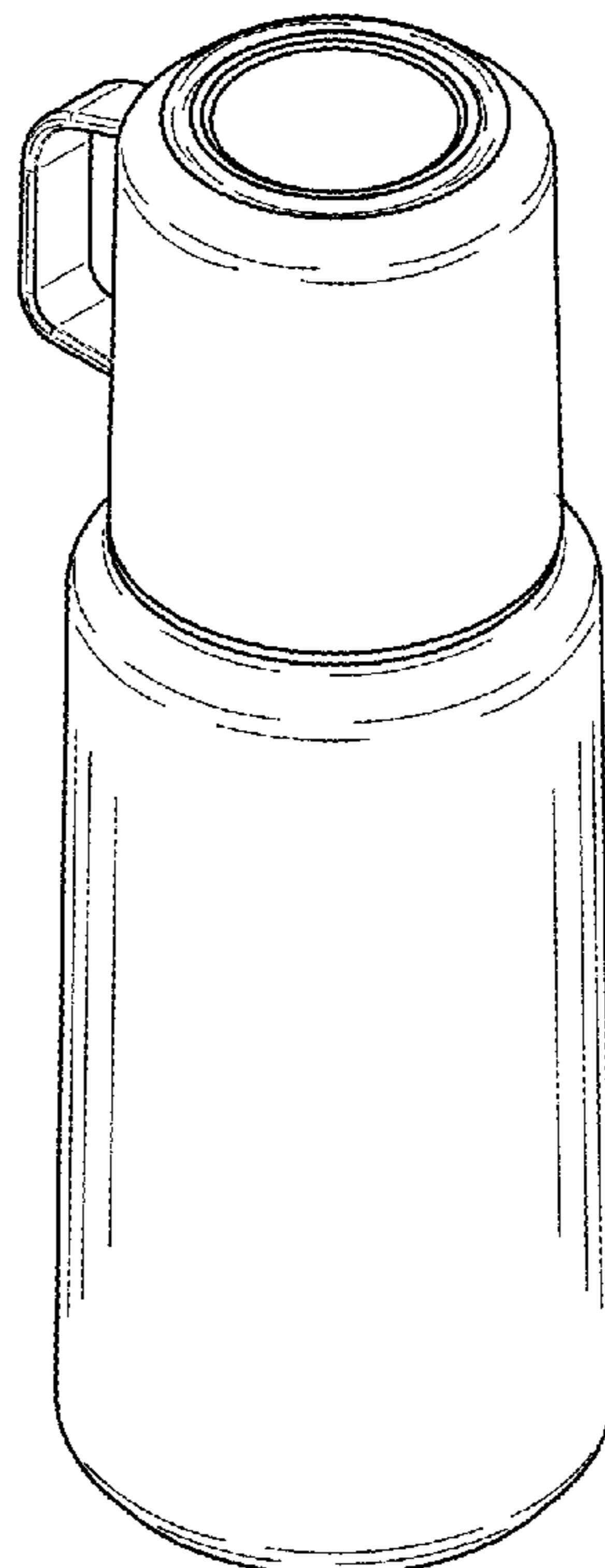
(57) **CLAIM**

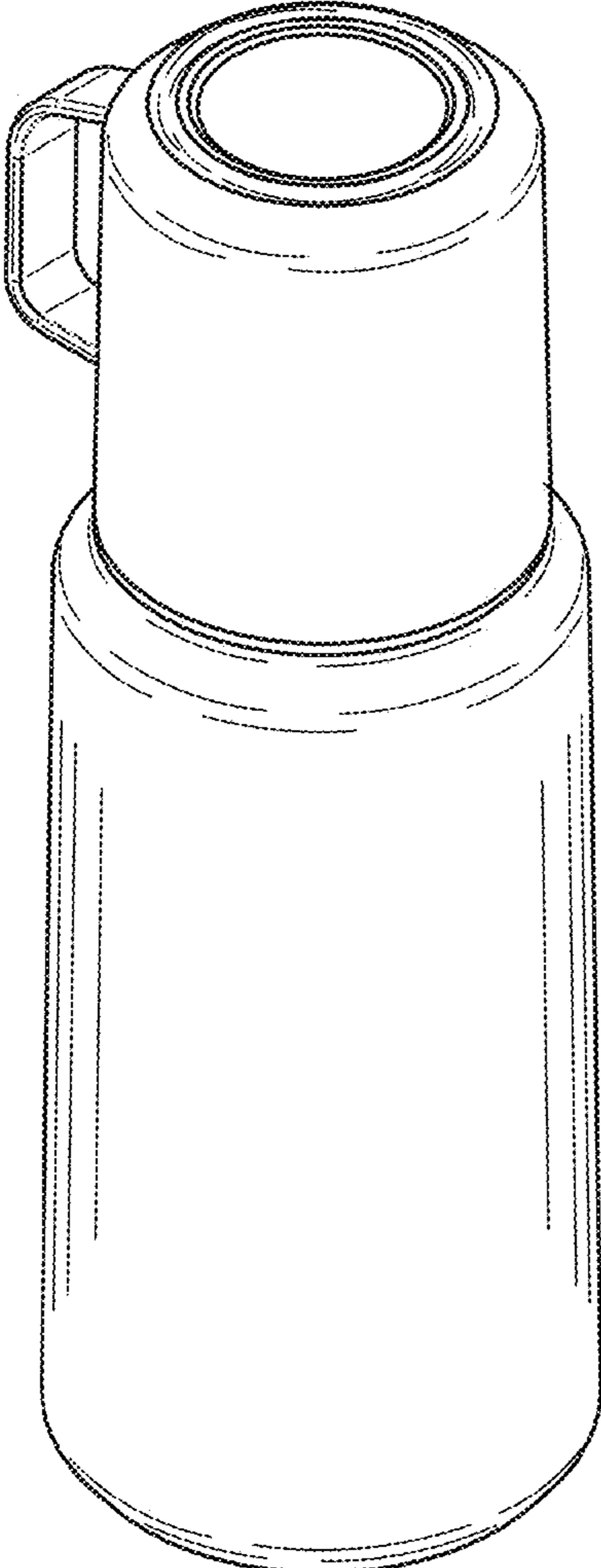
The ornamental design for a container for liquids, as shown  
and described.

**DESCRIPTION**

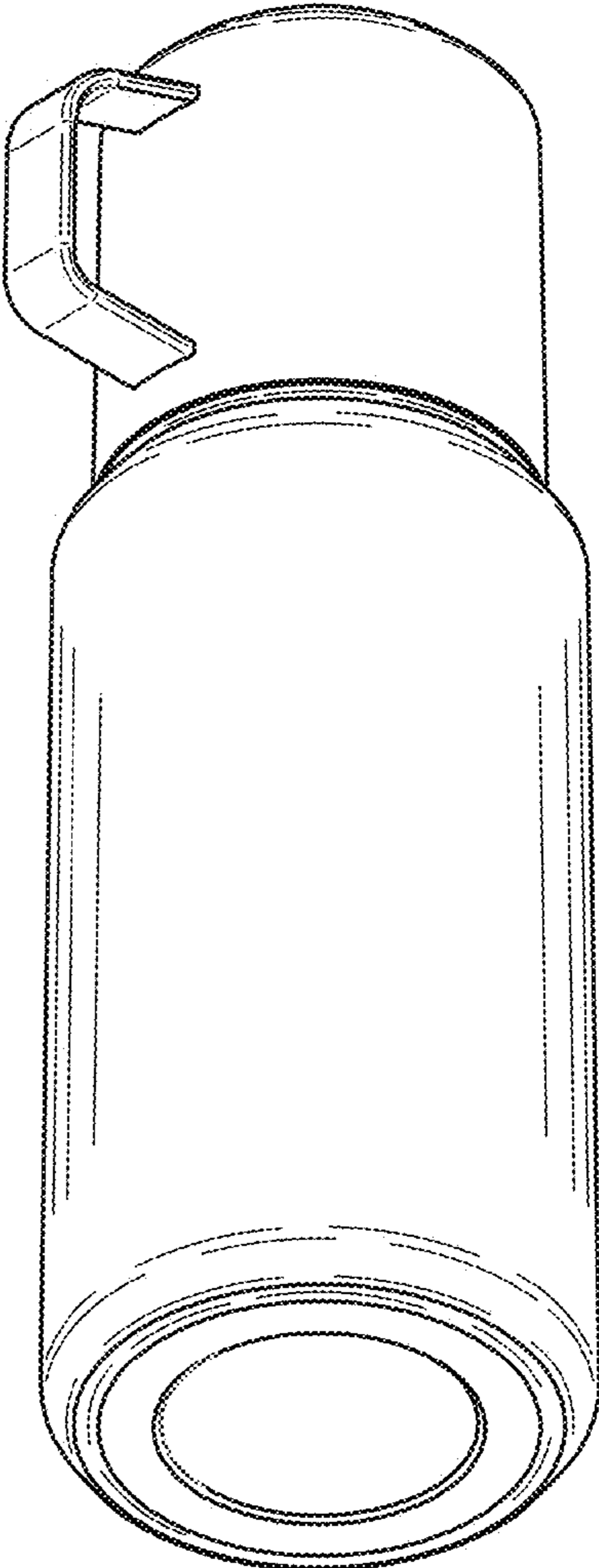
FIG. 1 is a top, perspective view of a container for liquids  
showing our new design.  
FIG. 2 is a bottom perspective view thereof.  
FIG. 3 is a top plan view thereof.  
FIG. 4 is a bottom plan view thereof.  
FIG. 5 is a front view thereof.  
FIG. 6 is a rear view thereof.  
FIG. 7 is a left side view thereof.  
FIG. 8 is a right side view thereof.  
FIG. 9 is an exploded top perspective view thereof; and,  
FIG. 10 is a cross section view thereof taken along line  
**10-10** of FIG. 6.

**1 Claim, 5 Drawing Sheets**

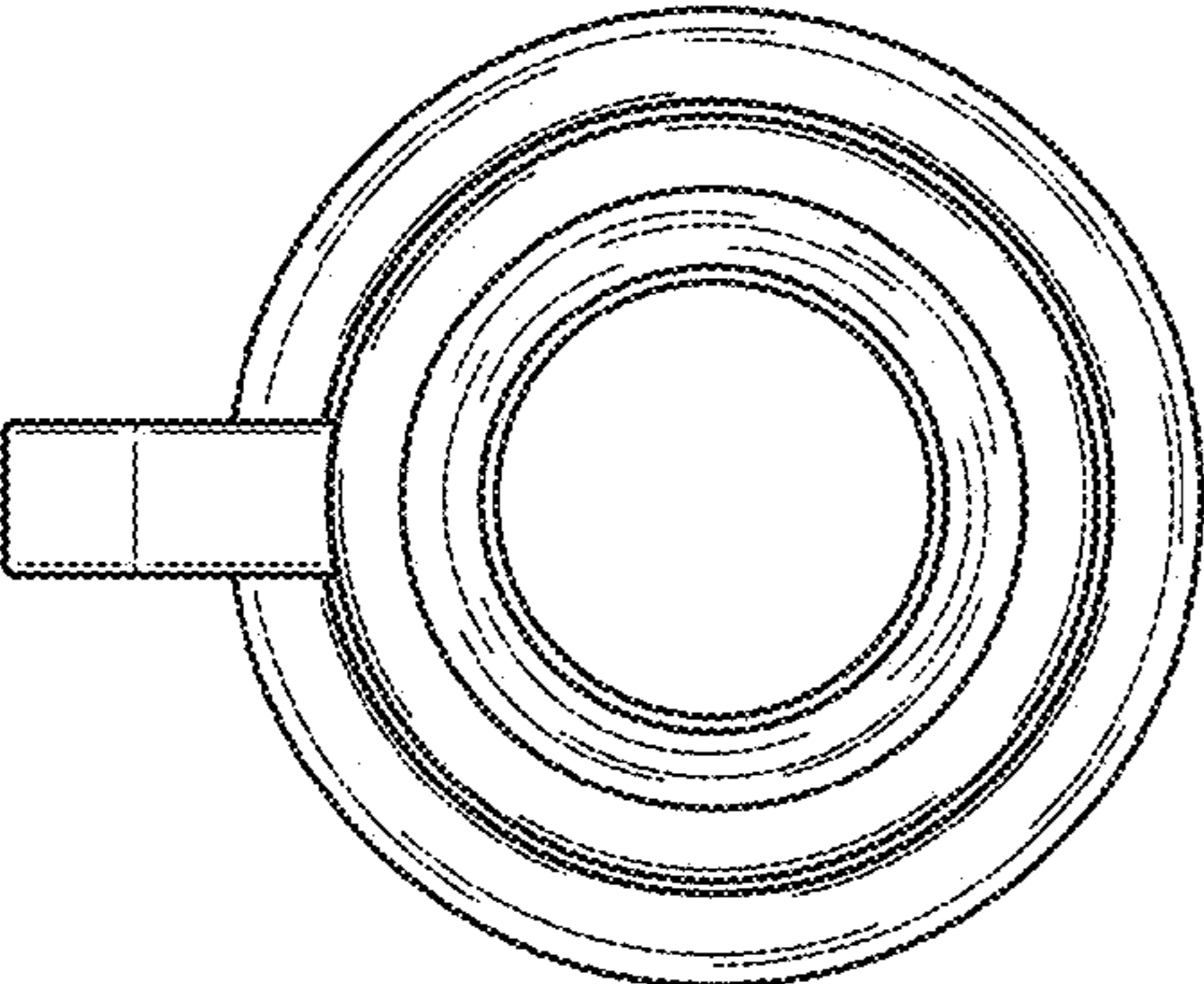




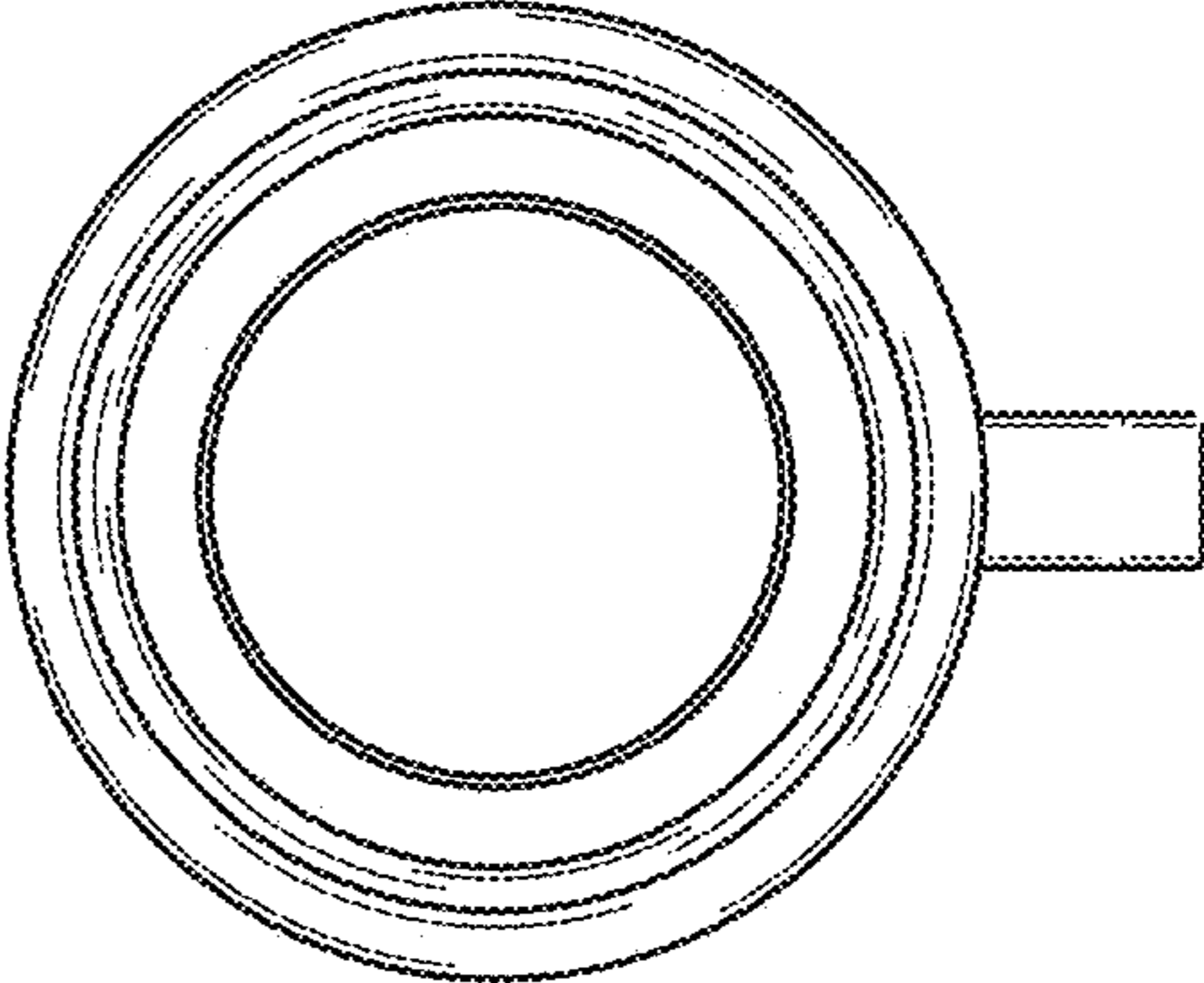
**FIG. 1**



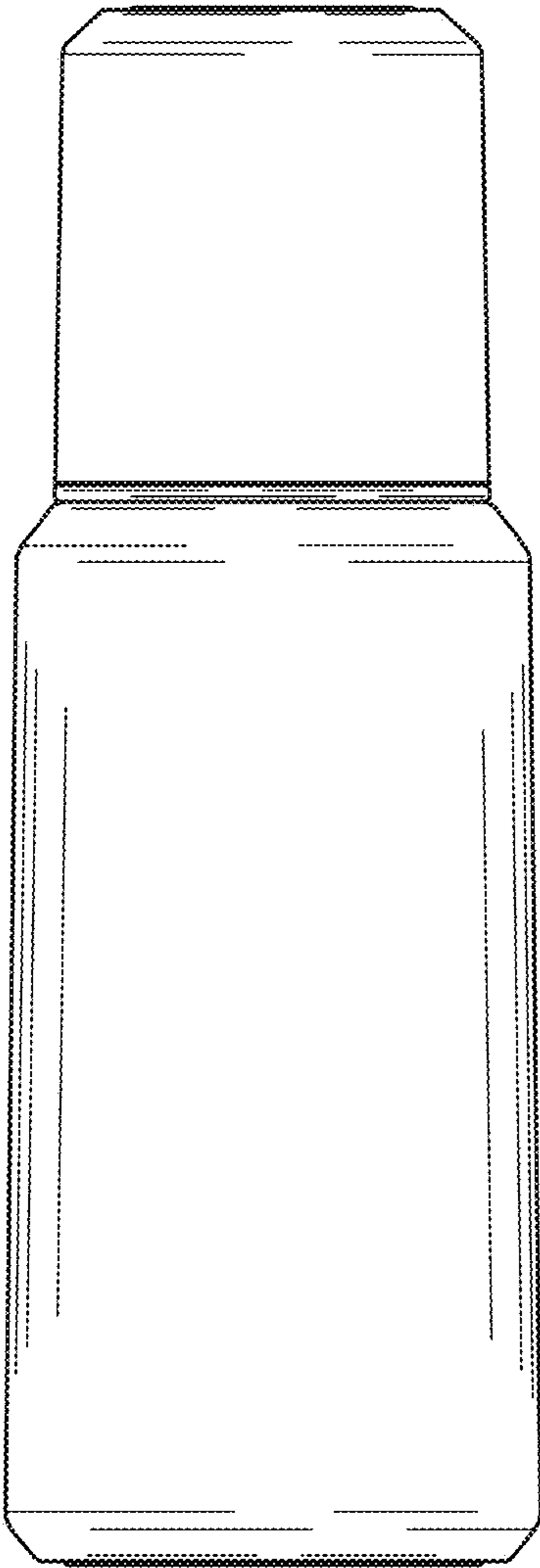
**FIG. 2**



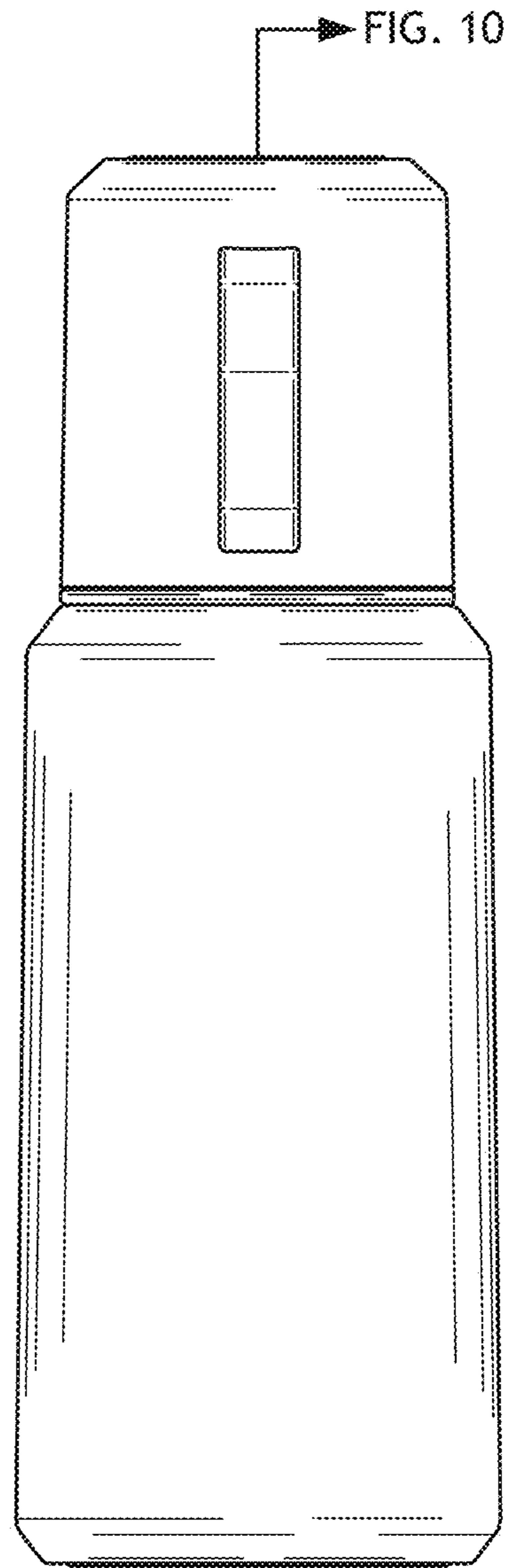
**FIG. 3**



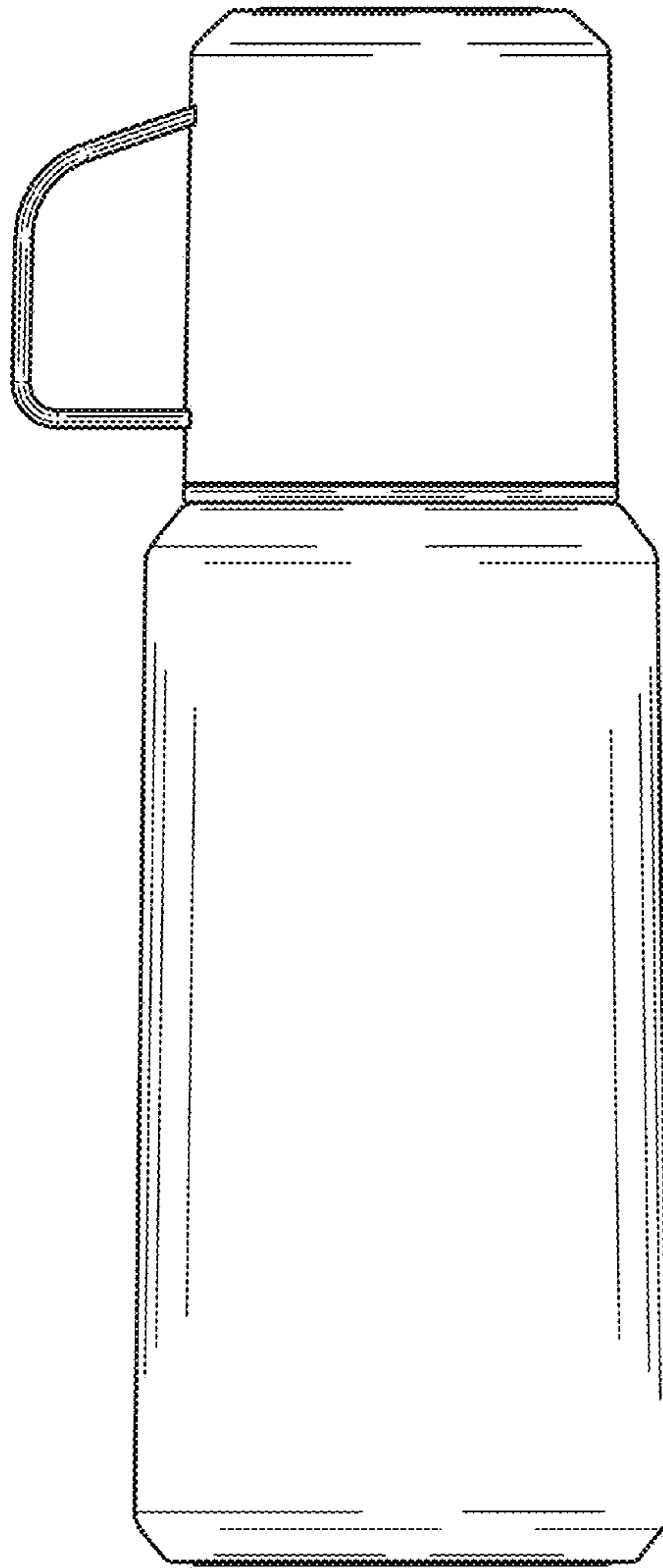
**FIG. 4**



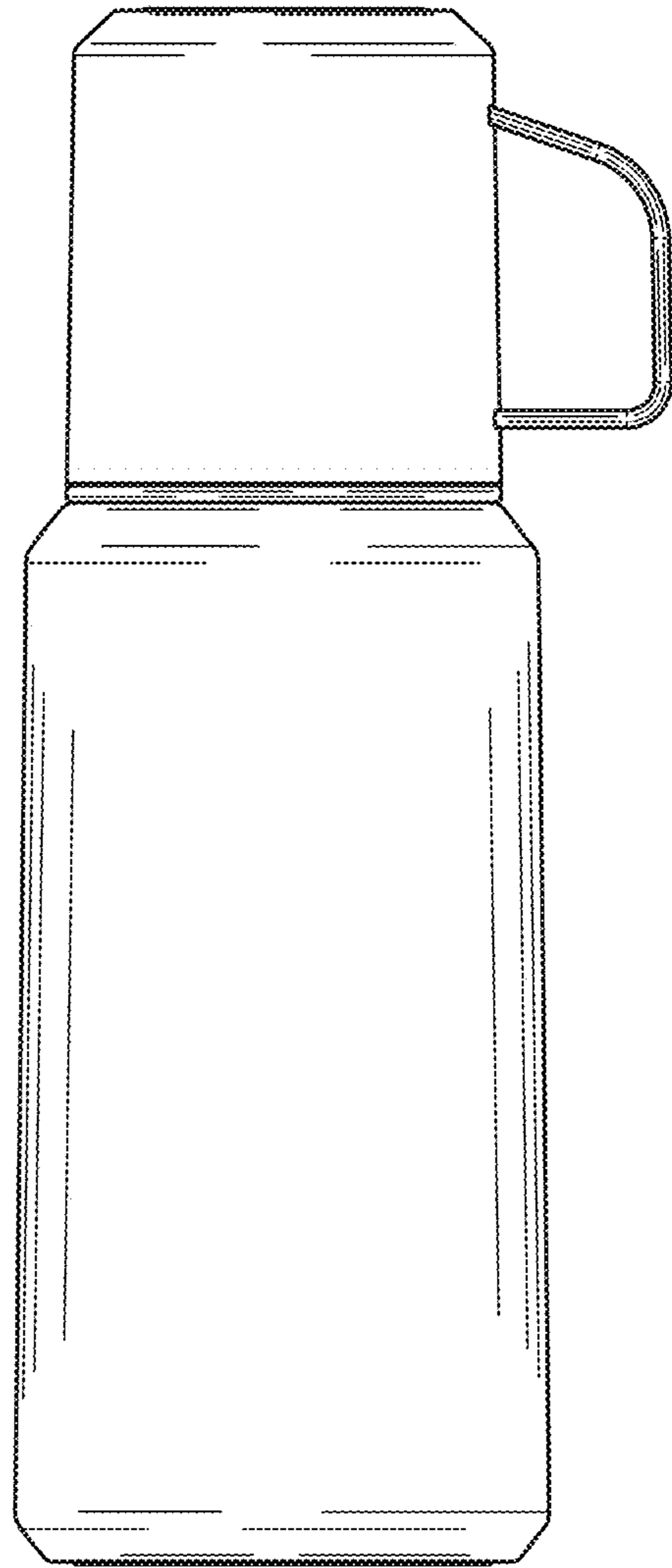
*FIG. 5*



*FIG. 6*



*FIG. 7*



*FIG. 8*

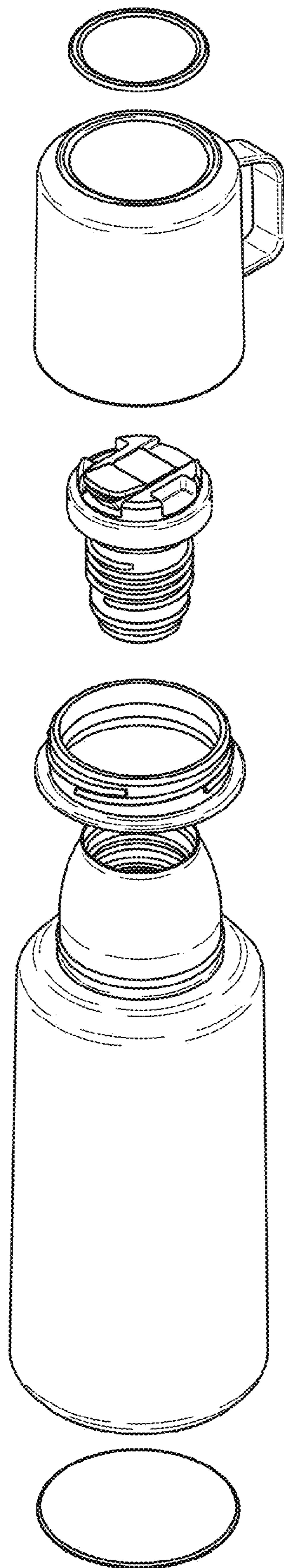


FIG. 9

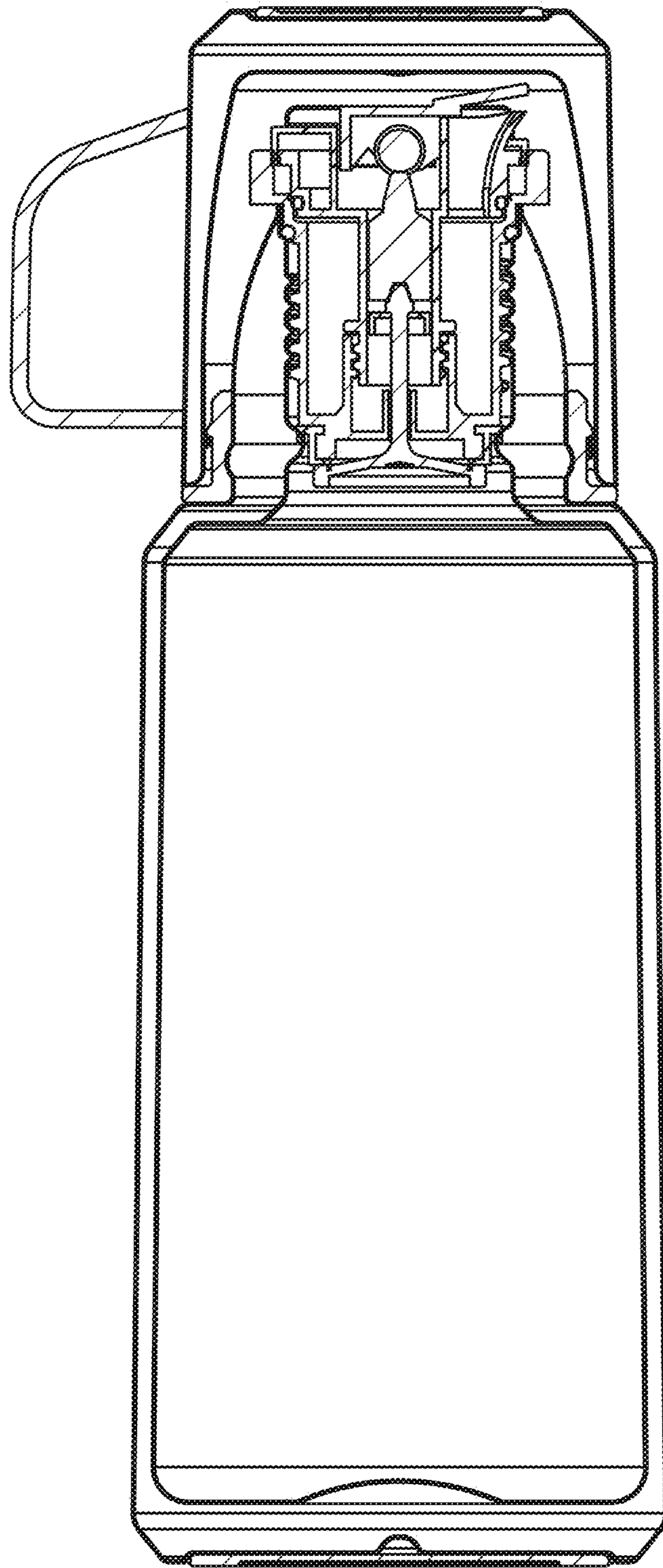


FIG. 10