



US00D913046S

(12) **United States Design Patent**
Spivey et al.

(10) **Patent No.:** **US D913,046 S**

(45) **Date of Patent:** **** Mar. 16, 2021**

(54) **CONTAINER FOR LIQUIDS**

(71) Applicant: **Base Brands, LLC**, Atlanta, GA (US)

(72) Inventors: **Patrick Spivey**, Atlanta, GA (US);
Kenneth Krefle, Atlanta, GA (US)

(73) Assignee: **Base Brands, LLC**, Atlanta, GA (US)

(**) Term: **15 Years**

(21) Appl. No.: **29/696,136**

(22) Filed: **Jun. 25, 2019**

(51) **LOC (13) Cl.** **07-01**

(52) **U.S. Cl.**
USPC **D7/608**

(58) **Field of Classification Search**
USPC D7/509–511, 605–608; D9/500–504,
D9/549, 559, 574
CPC B65D 81/3837; B65D 81/3839; B65D
81/3841; B65D 81/3844; B65D 81/3846;
B65D 81/3869; A47J 41/0005; A47J
41/0083; A47J 41/02; A47J 41/024; A47J
41/026; A47J 41/028; A47J 41/0077;
A47J 41/00; A47J 41/022; F25D
2331/803; F25D 3/08; A45C 11/20
See application file for complete search history.

(56) **References Cited**

U.S. PATENT DOCUMENTS

2,963,187 A * 12/1960 Bramming A47J 41/02
215/12.1
3,110,408 A * 11/1963 Bramming A47J 41/02
215/12.1

D295,355 S * 4/1988 Leung D7/608
4,792,994 A * 12/1988 Aylward H04B 1/08
206/542
2017/0349331 A1* 12/2017 Choltco-Devlin
B65D 25/2817
2018/0105346 A1* 4/2018 Tolman A47J 41/0016

* cited by examiner

Primary Examiner — Terry A Wallace

(74) *Attorney, Agent, or Firm* — Park, Vaughan, Fleming
& Dowler LLP

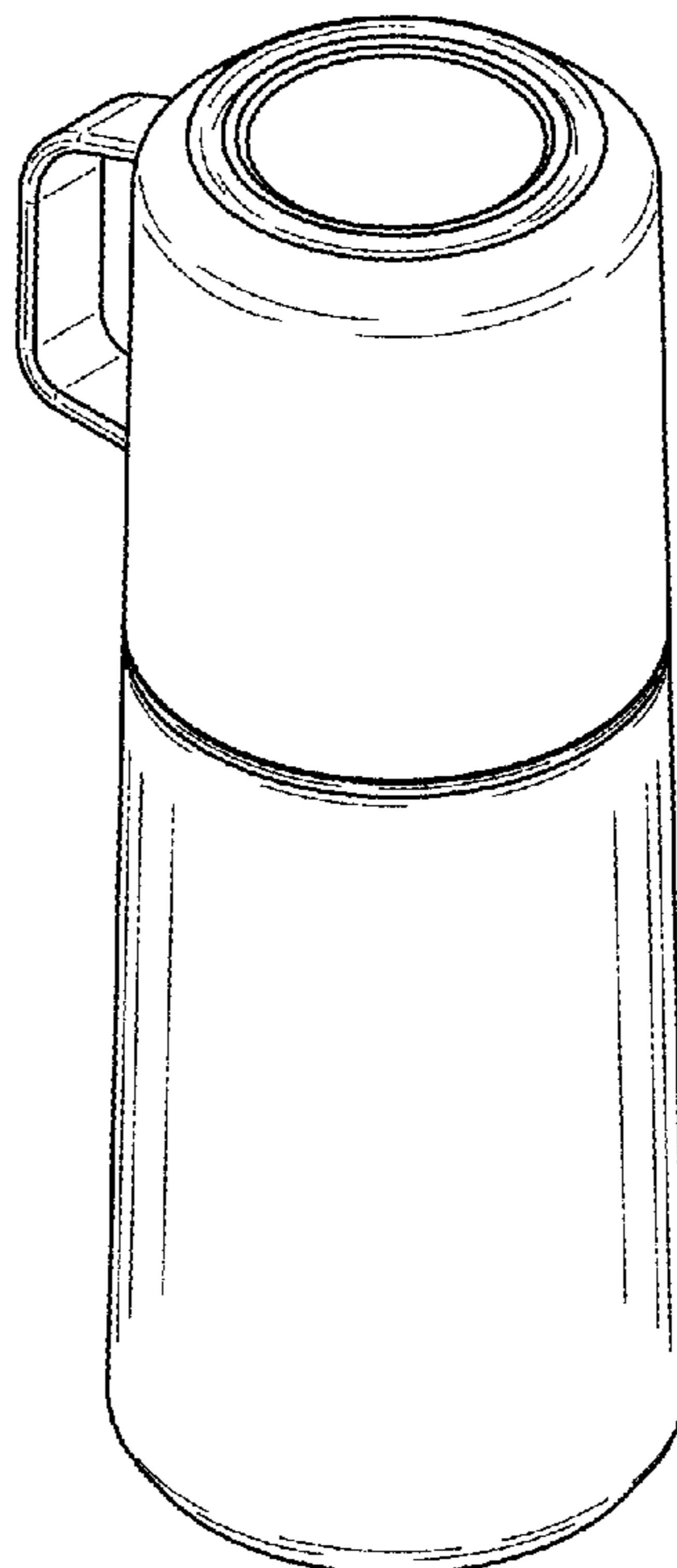
(57) **CLAIM**

The ornamental design for a container for liquids, as shown
and described.

DESCRIPTION

FIG. 1 is a top, perspective view of a container for liquids
showing our new design.
FIG. 2 is a bottom perspective view thereof.
FIG. 3 is a top plan view thereof.
FIG. 4 is a bottom plan view thereof.
FIG. 5 is a front view thereof.
FIG. 6 is a rear view thereof.
FIG. 7 is a left side view thereof.
FIG. 8 is a right side view thereof.
FIG. 9 is an exploded top perspective view thereof; and,
FIG. 10 is a cross section view thereof taken along line
10-10 of FIG. 6.

1 Claim, 5 Drawing Sheets



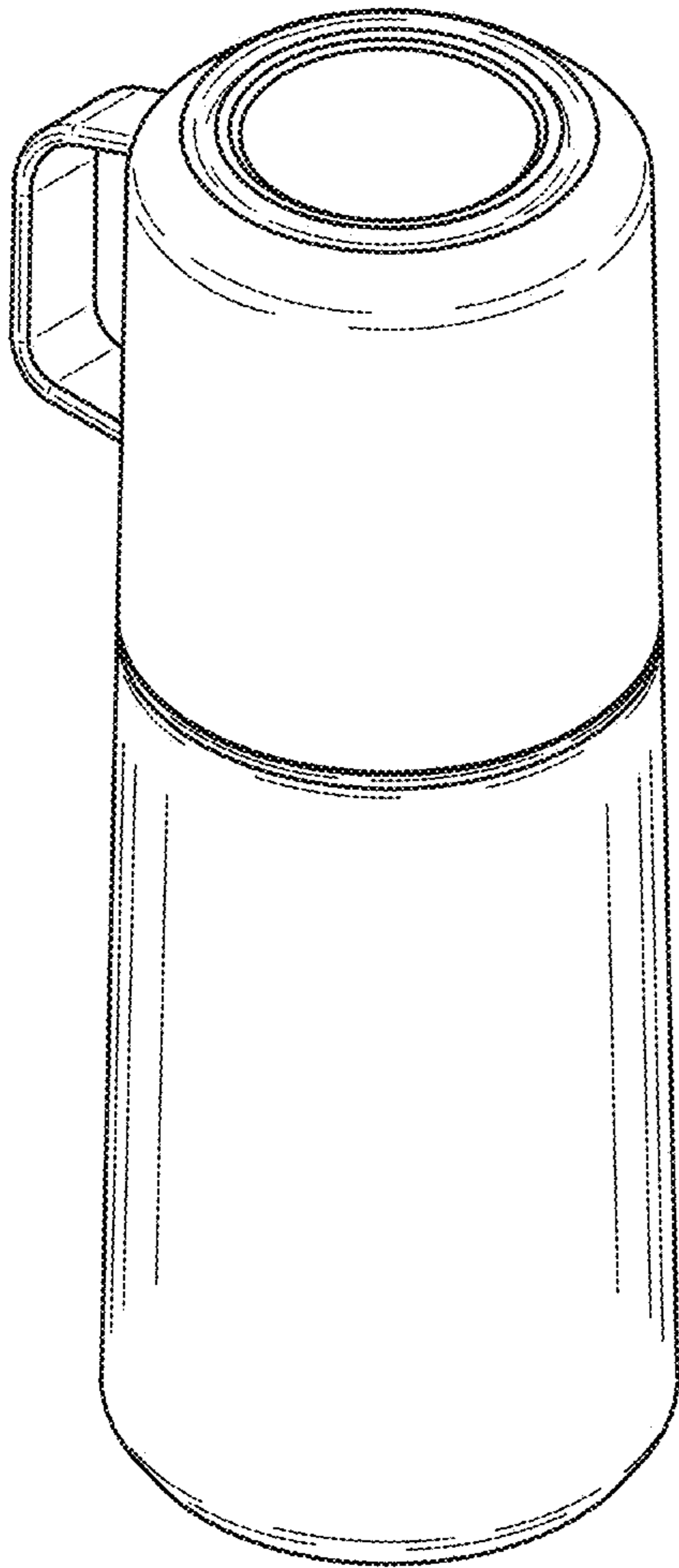


FIG. 1

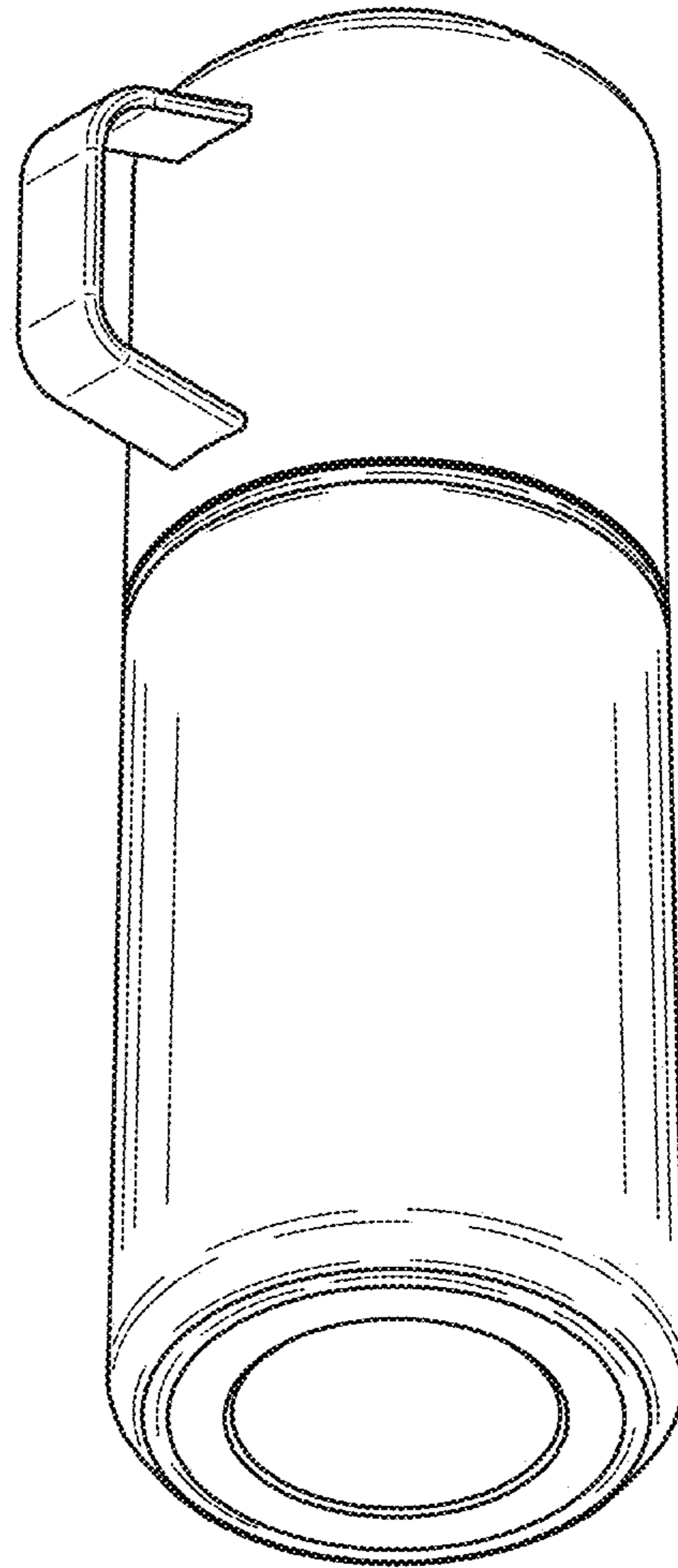


FIG. 2

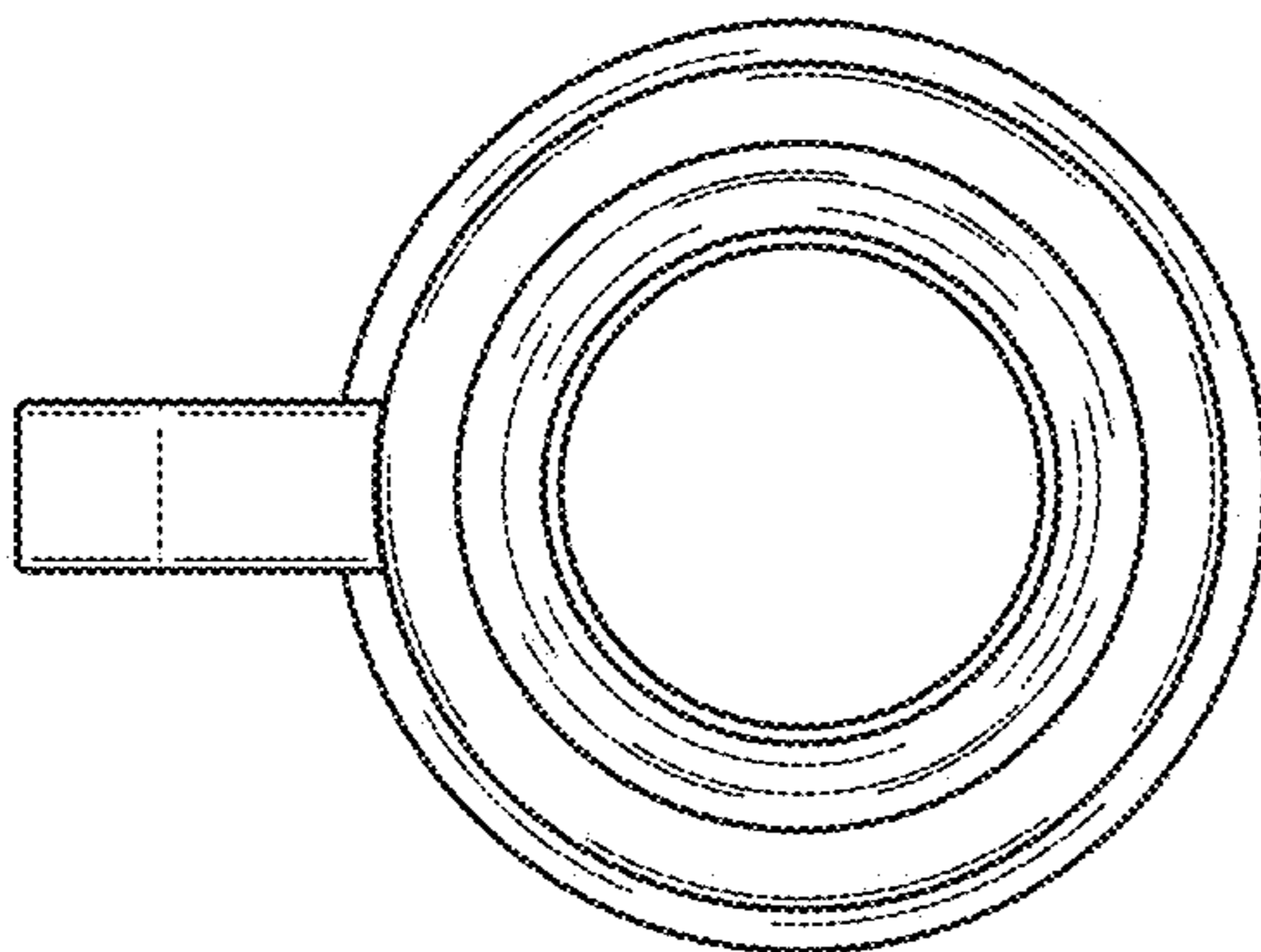


FIG. 3

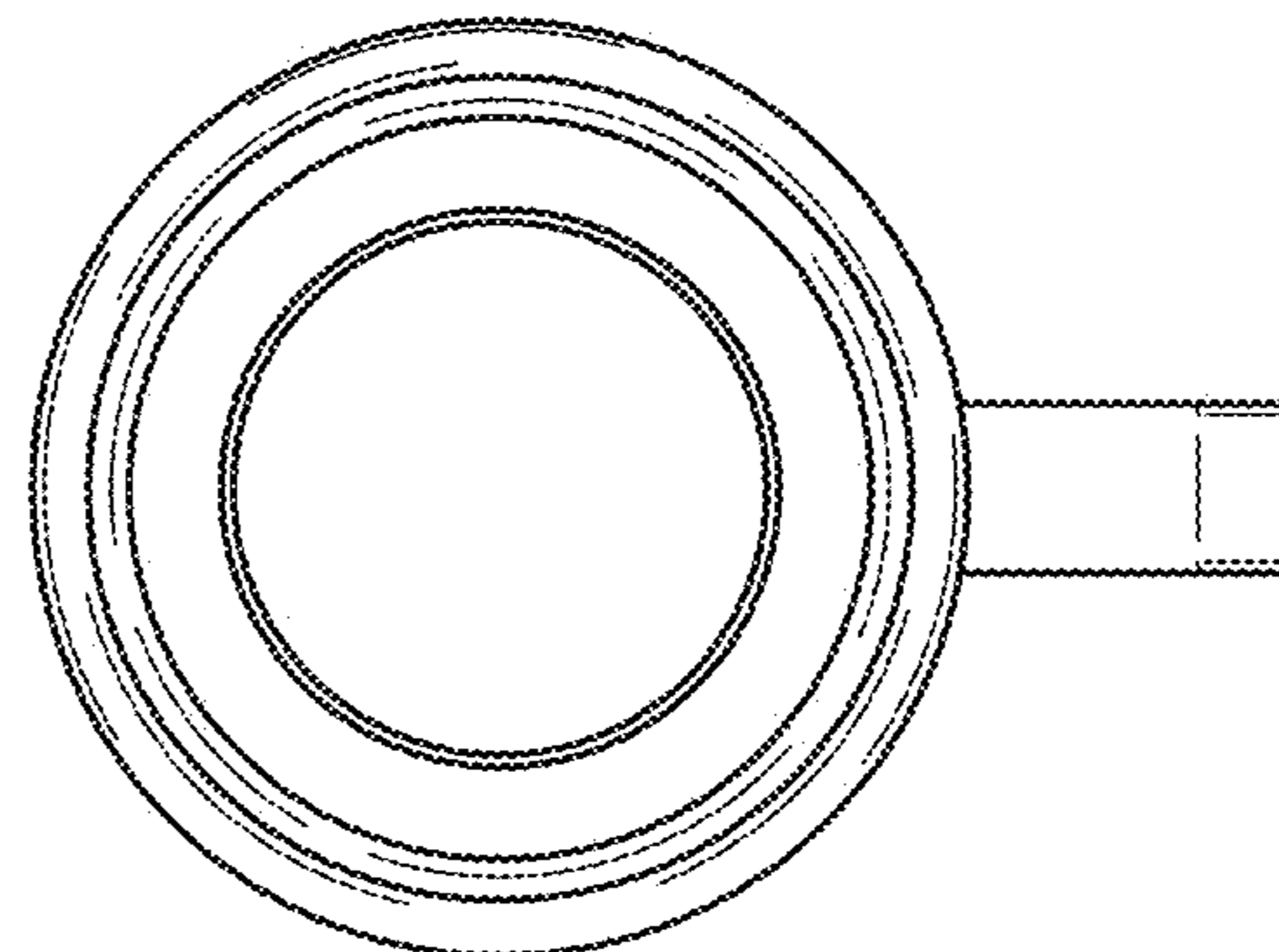


FIG. 4

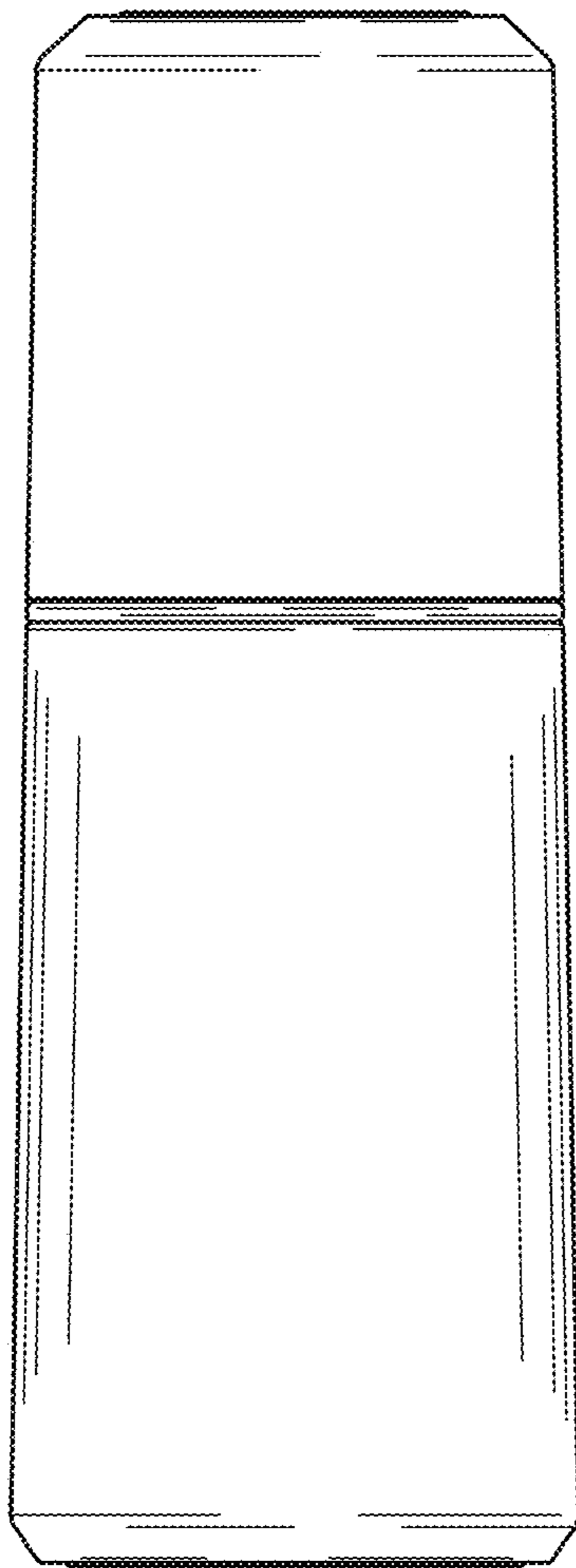


FIG. 5

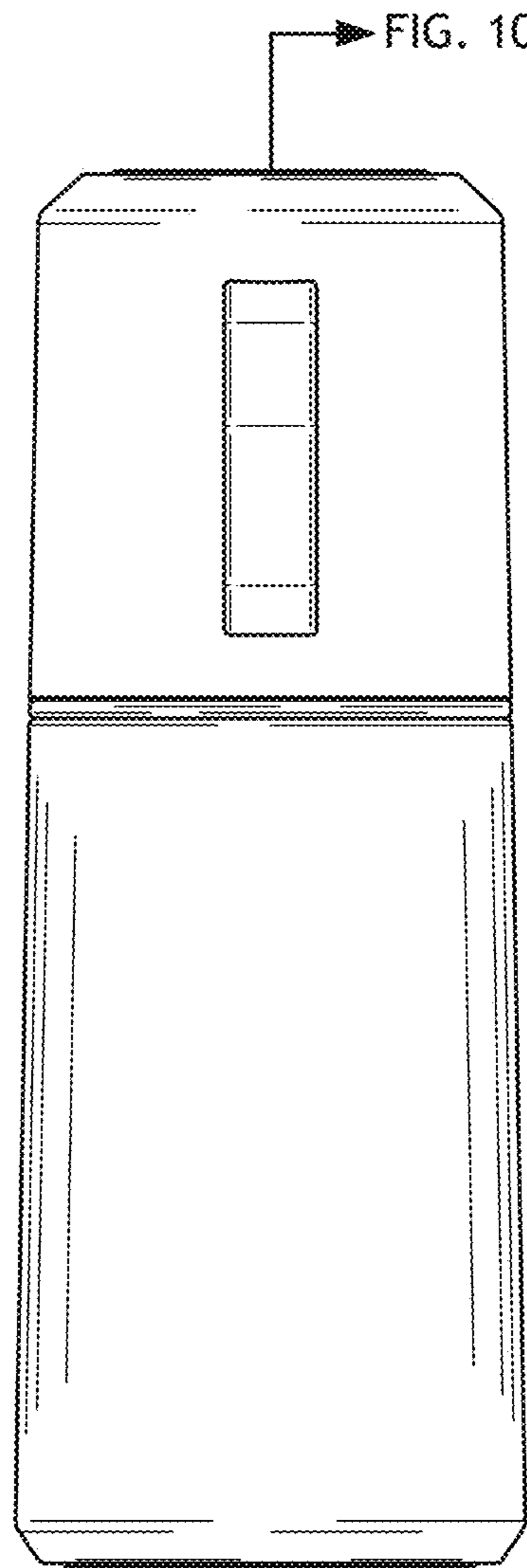


FIG. 6

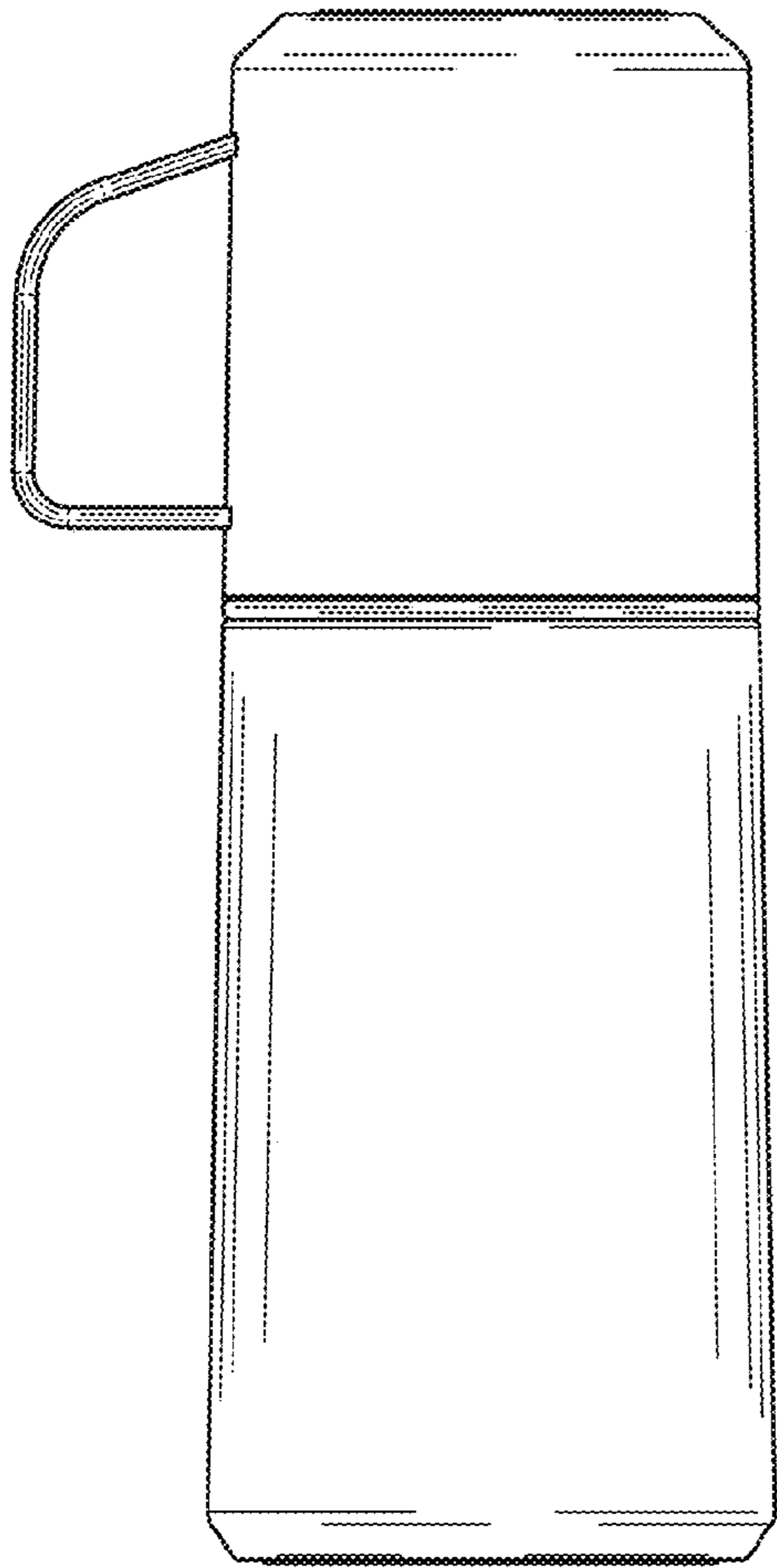


FIG. 7

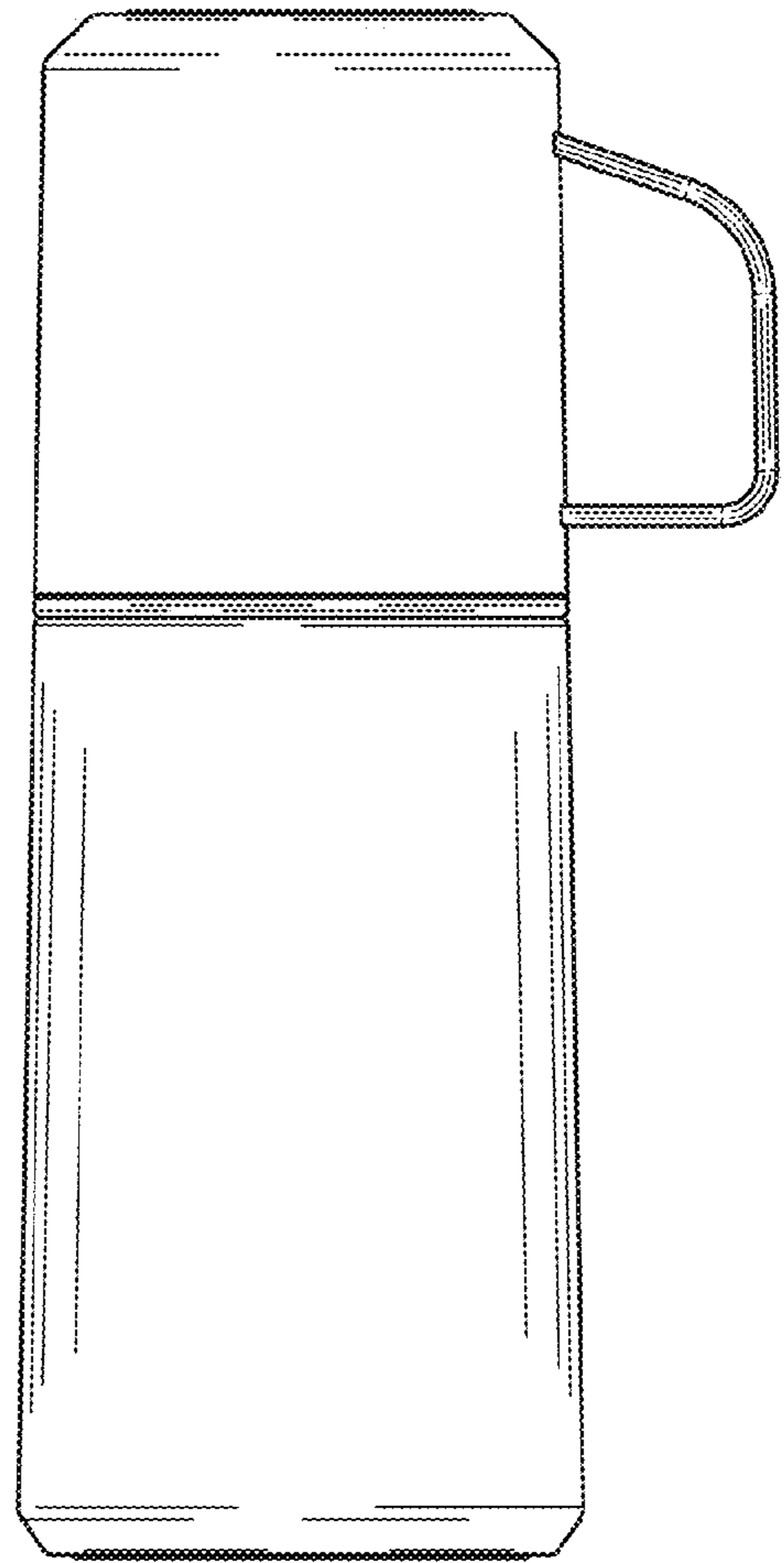


FIG. 8

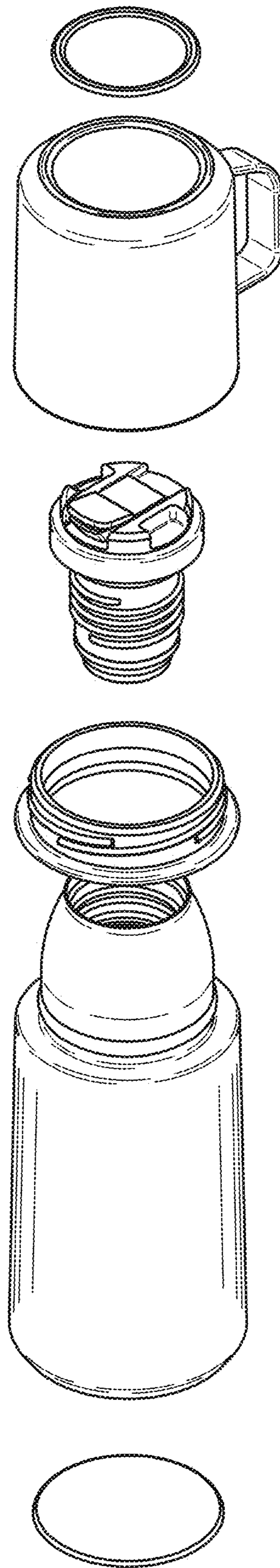


FIG. 9

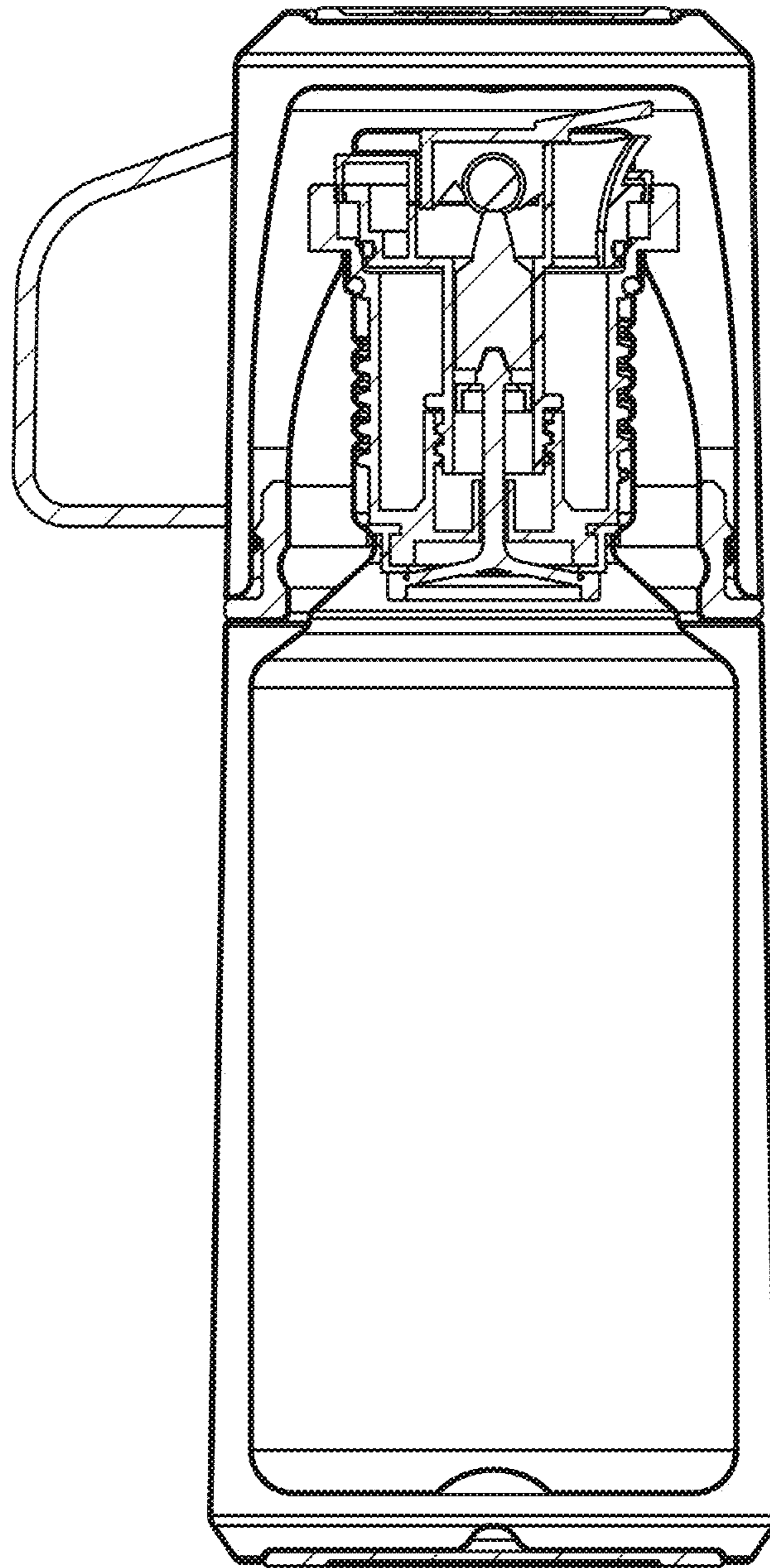


FIG. 10