



US00D913045S

(12) **United States Design Patent**
Samartgis

(10) **Patent No.:** **US D913,045 S**
(45) **Date of Patent:** **** Mar. 16, 2021**

(54) **CONTAINER BASE**

FOREIGN PATENT DOCUMENTS

(71) Applicant: **THE DECOR CORPORATION PTY LTD**, Scoresby (AU)

KR 300824021.0000 * 11/2015
KR 300986091.0000 * 12/2018

(72) Inventor: **Jim Samartgis**, Scoresby (AU)

OTHER PUBLICATIONS

(73) Assignee: **The Decor Corporation Ltd Pty**, Scoresby (AU)

Match-ups Clips Split Oblong 2L Container, Décor, décor.com.au, author not listed, published Aug. 12, 2018 per wayback machine © The Décor Corporation Pty, Ltd., online, site visited Jan. 28, 2019. Available from Internet, URL: [https://web.archive.org/web/*/https://www.decor.com.au/product/match . . .](https://web.archive.org/web/*/https://www.decor.com.au/product/match...) (Year: 2018).*

(**) Term: **15 Years**

(21) Appl. No.: **29/609,350**

(Continued)

(22) Filed: **Jun. 29, 2017**

(30) **Foreign Application Priority Data**

Feb. 9, 2017 (AU) 201710739

(51) **LOC (13) Cl.** **07-07**

(52) **U.S. Cl.**
USPC **D7/602**

(58) **Field of Classification Search**
USPC D7/590, 597, 600-600.1, 600.3-600.4, D7/602, 614-615, 701, 592, 596, 619.1, D7/704, 505, 513, 553.1-553.3, D7/554.3-555, 611; D6/675, 680.2, D6/675.1-675.2, 675.5, 680-680.1, 680.3, D6/681, 690-691; 211/30, 73-74; D9/747, 751-753, 756-760, 762; 206/129, 712, 736; D19/92, 101-105, D19/107; D32/53, 53.1, 55
CPC F16M 11/00; A47K 1/09; A47F 7/0064; A47J 47/02; A47J 47/06; A47J 47/10; B65D 1/36; B65D 81/3446; B65D 1/00; B65D 45/12; B65D 45/16; B65D 45/18; B65D 45/20; B65D 45/22; B65D 45/30;

(Continued)

(56) **References Cited**

U.S. PATENT DOCUMENTS

D185,899 S * 8/1959 Bernhardt D32/55
3,391,816 A * 7/1968 Swett A47J 47/02
220/534

(Continued)

Primary Examiner — Marissa J Cash

Assistant Examiner — Altaira J Swangin

(74) *Attorney, Agent, or Firm* — Kilpatrick Townsend & Stockton LLP

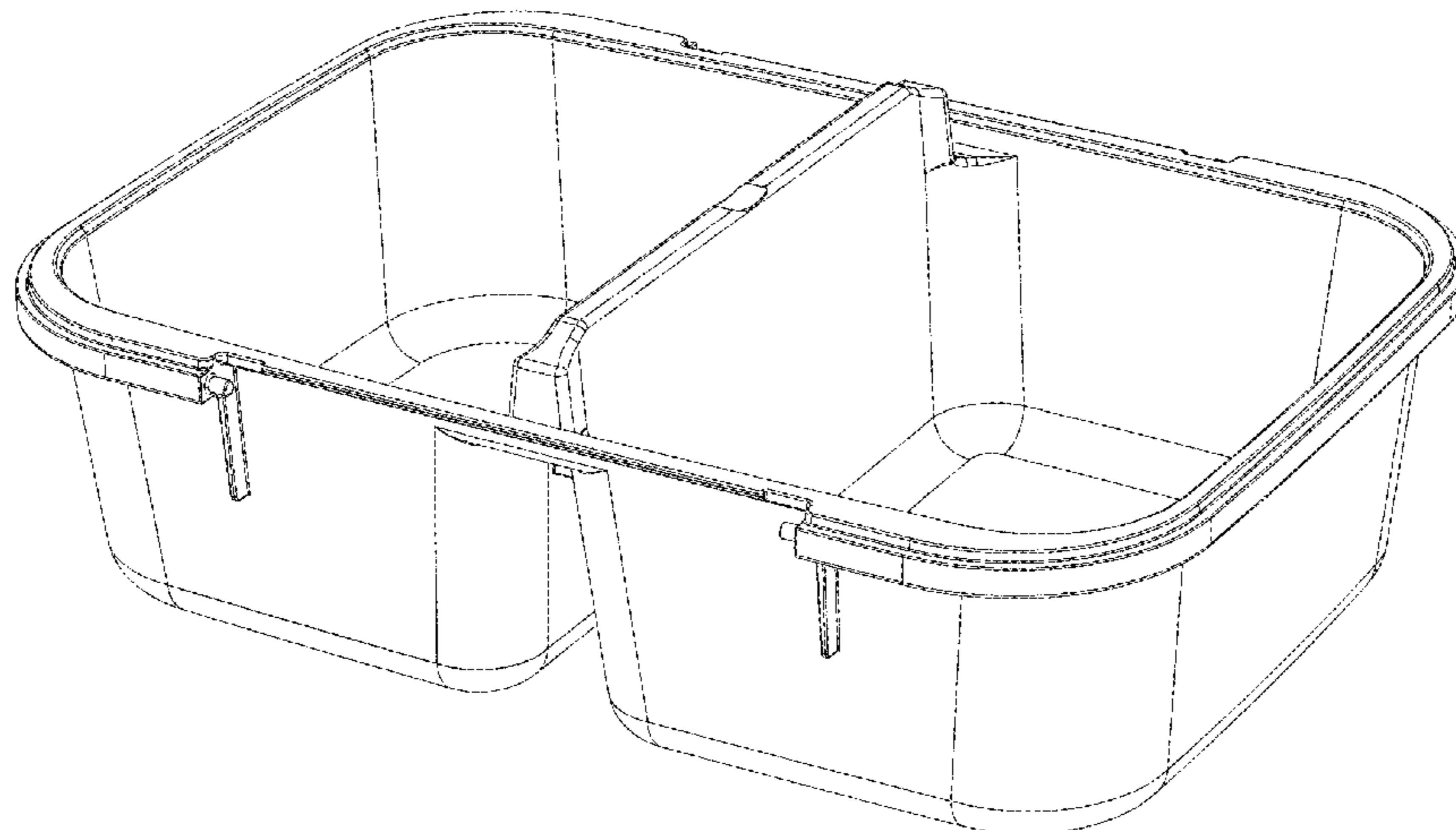
(57) **CLAIM**

The ornamental design for a container base, as shown and described.

DESCRIPTION

FIG. 1 is a top, front perspective view of a container base showing my new design;
FIG. 2 is a bottom, rear perspective view thereof;
FIG. 3 is a top plan view thereof;
FIG. 4 is a bottom plan view thereof;
FIG. 5 is a front elevational view thereof;
FIG. 6 is a rear elevational view thereof;
FIG. 7 is a left side elevational view thereof; and,
FIG. 8 is a right side elevational view thereof.
The broken lines shown in the drawings represent portions of the container base and form no part of the claimed design.

1 Claim, 8 Drawing Sheets



- (58) **Field of Classification Search**
 CPC .. B65D 45/322; A47G 23/04; A47G 23/0683;
 A47G 23/06
 See application file for complete search history.

(56) **References Cited**

U.S. PATENT DOCUMENTS

D211,917 S * 8/1968 Copeland D19/92
 D219,263 S * 11/1970 Castelli D9/757
 D224,554 S * 8/1972 Swett 220/529
 D236,075 S * 7/1975 Golden D32/53
 D257,109 S * 9/1980 Conti D7/553.3
 4,653,713 A * 3/1987 Hamilton B25H 3/02
 182/129
 D314,279 S * 2/1991 Hotchkiss D3/309
 5,086,917 A * 2/1992 Dziarsk A47L 13/51
 206/203
 D339,436 S * 9/1993 Craft, Jr. D3/307
 D367,172 S * 2/1996 Brightbill D3/310
 D377,739 S * 2/1997 Carlson D7/602
 5,810,187 A * 9/1998 Woodring B65D 67/02
 206/504
 D403,924 S * 1/1999 Carlson D7/602
 D404,231 S * 1/1999 Woodring D3/313
 D448,130 S * 9/2001 Wagner D32/53.1
 D451,769 S * 12/2001 Stanos D7/629
 D504,065 S * 4/2005 Belser D9/423
 D515,880 S * 2/2006 Lerner D7/629
 D537,633 S * 3/2007 Marnell, II D3/313
 D546,012 S * 7/2007 Casteel D32/53
 D557,047 S * 12/2007 Dretzka D3/304
 D578,264 S * 10/2008 Lundy D32/53.1
 D590,596 S * 4/2009 Dretzka D3/304
 7,614,522 B2 * 11/2009 Hsu A47J 36/06
 220/367.1
 D607,623 S * 1/2010 Hagen D32/53
 D614,919 S * 5/2010 Carlson D7/602
 D625,994 S * 10/2010 Krupa D9/424
 D630,901 S * 1/2011 Samartgis D7/602
 D631,299 S * 1/2011 Samartgis D7/602
 D631,300 S * 1/2011 Samartgis D7/602
 D633,341 S * 3/2011 Smyers D7/553.3
 D642,905 S * 8/2011 Samartgis D9/424
 D642,906 S * 8/2011 Samartgis D9/424
 D642,907 S * 8/2011 Samartgis D9/424
 D643,311 S * 8/2011 Meyers D9/756
 D645,708 S * 9/2011 Stamper D7/602
 D655,204 S * 3/2012 Meyers D9/715
 D688,572 S * 8/2013 Marin D9/425
 D688,921 S * 9/2013 Miros D7/629
 D694,977 S * 12/2013 Libman D32/53
 D696,560 S * 12/2013 Song D7/629
 D697,762 S * 1/2014 Carlson D7/602
 D697,764 S * 1/2014 Carlson D7/602
 D698,206 S * 1/2014 Molayem D7/629
 D699,012 S * 2/2014 Ziemann D32/55
 D708,015 S * 7/2014 Carlson D7/602
 D708,016 S * 7/2014 Carlson D7/602
 D708,017 S * 7/2014 Carlson D7/602
 D708,018 S * 7/2014 Carlson D7/602
 D713,741 S * 9/2014 Wilmers D9/424
 D716,613 S * 11/2014 Carlson D7/602
 D717,120 S * 11/2014 Carlson D7/602
 D717,121 S * 11/2014 Carlson D7/602
 D717,122 S * 11/2014 Carlson D7/602

D729,478 S * 5/2015 Zeng D32/53
 D751,349 S * 3/2016 Carlson D7/629
 D759,421 S * 6/2016 Wiggins D7/602
 D761,511 S * 7/2016 Malvasio D32/53.1
 D787,275 S * 5/2017 Carlson D7/602
 9,693,756 B2 * 7/2017 Tomes A61M 25/00
 D793,868 S * 8/2017 Kim D9/756
 D810,285 S * 2/2018 Adams D24/123
 D823,106 S * 7/2018 Lam D9/426
 D830,060 S * 10/2018 Kraemer D3/310
 10,106,295 B2 * 10/2018 Lockwood B65D 1/36
 D836,988 S * 1/2019 Dwork D7/553.1
 D838,108 S * 1/2019 Samartgis D3/318
 D838,484 S * 1/2019 Samartgis D3/318
 2007/0235452 A1 * 10/2007 Killinger B65D 25/2835
 220/326
 2008/0116098 A1 * 5/2008 Marooflan B65D 1/36
 206/503
 2015/0232242 A1 * 8/2015 Carlson B65D 53/06
 220/367.1
 2016/0332785 A1 * 11/2016 Sexton B65D 45/20
 2017/0021957 A1 * 1/2017 Gartz B65D 1/36
 2018/0064045 A1 * 3/2018 Overgaag A01G 22/00
 2018/0265256 A1 * 9/2018 Fisher, Jr. A45C 11/20
 2018/0265263 A1 * 9/2018 Li B65D 45/20
 2018/0339807 A1 * 11/2018 Mobarhan B65D 1/36

OTHER PUBLICATIONS

Divided Large Glass Food Storage Container, EasyLock, easylockware.com, author not listed, published Mar. 26, 2018 per wayback machine © Shantou Leqishi Plastic Co., Ltd., online, site visited Jan. 28, 2019. Available from Internet, URL: https://web.archive.org/web/*/http://www.easylockware.com/ . . . (Year: 2018).*

Klip It Split Food Storage Container, Sistema, amazon.com, author not listed, published by Sistema on Aug. 28, 2014 © 1996-2019 Amazon.com, Inc., online, site visited Jan. 28, 2019. Available from URL: <https://www.amazon.com/Sistema-Accents-Collection-Container-Received/dp/B00HNLKARW> (Year: 2014).*

650 ml Container, Wuxi Realhot Industries Co., realhot.com, author not listed, published on Jun. 25, 2016 © 2009-2017 everychina.com, Inc., online, site visited Jan. 29, 2019. Available from Internet, URL: <https://web.archive.org/web/20160625171953/http://realhot.sell.everychina.com/p-100205784> . . . (Year: 2016).*

Bento Box, Lock and Lock., justbento.com, published by Makiko Itoh on Jul. 14, 2008 © 2007-2013 Makiko Itoh, online, site visited Jan. 29, 2019. Available from Internet, URL: <http://justbento.com/lock-and-lock-bento-boxes-now-available-migros-switzerland> (Year: 2008).*

Klip-It Medium Split Container 1620, Sistema, youtube.com, published by Redcoon Polska on Apr. 15, 2015 © not listed, online, site visited Feb. 12, 2019. Available from Internet, URL: <https://www.youtube.com/watch?v=us2sV1VDYTA> (Year: 2015).*

Klip-It Large Split Container 1720, Sistema, housewares.blob.core.windows.net, author not listed, 2016 product catalog © 2015 Sistema Plastics Limited, online, site visited Feb. 12, 2019. Available from Internet, URL: <https://housewares.blob.core.windows.net/exhdir/original/catalog/ba3fd65a> . . . (Year: 2016).*

Klip-It Food Storage Containers, Sistema, youtube.com, published by Kelly Diedring Harris on May 24, 2012 © not listed, online, site visited Mar. 27, 2019. Available from Internet, URL: <https://www.youtube.com/watch?v=yJChxS-jAr8> (Year: 2012).*

* cited by examiner

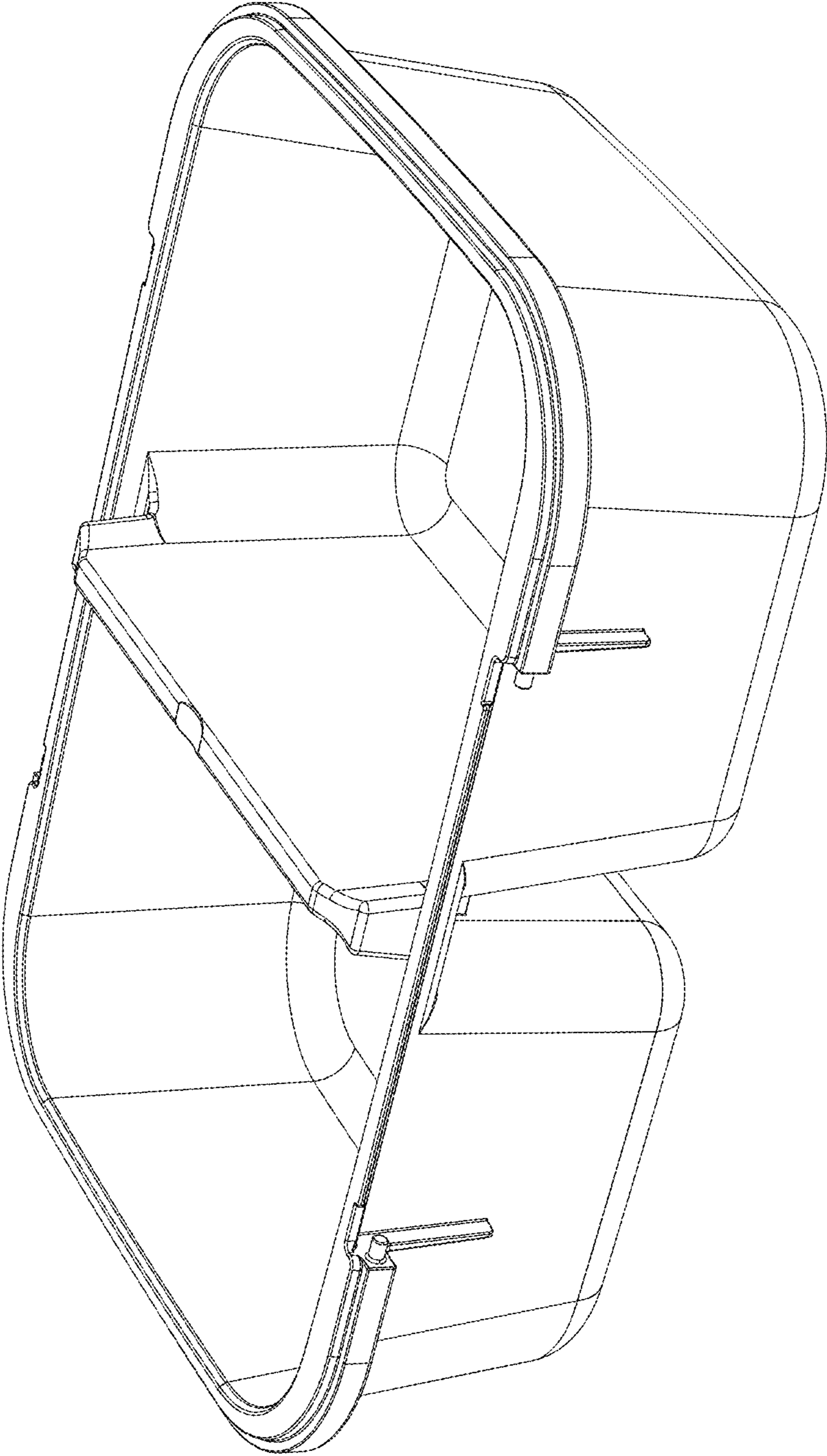


FIG. 1

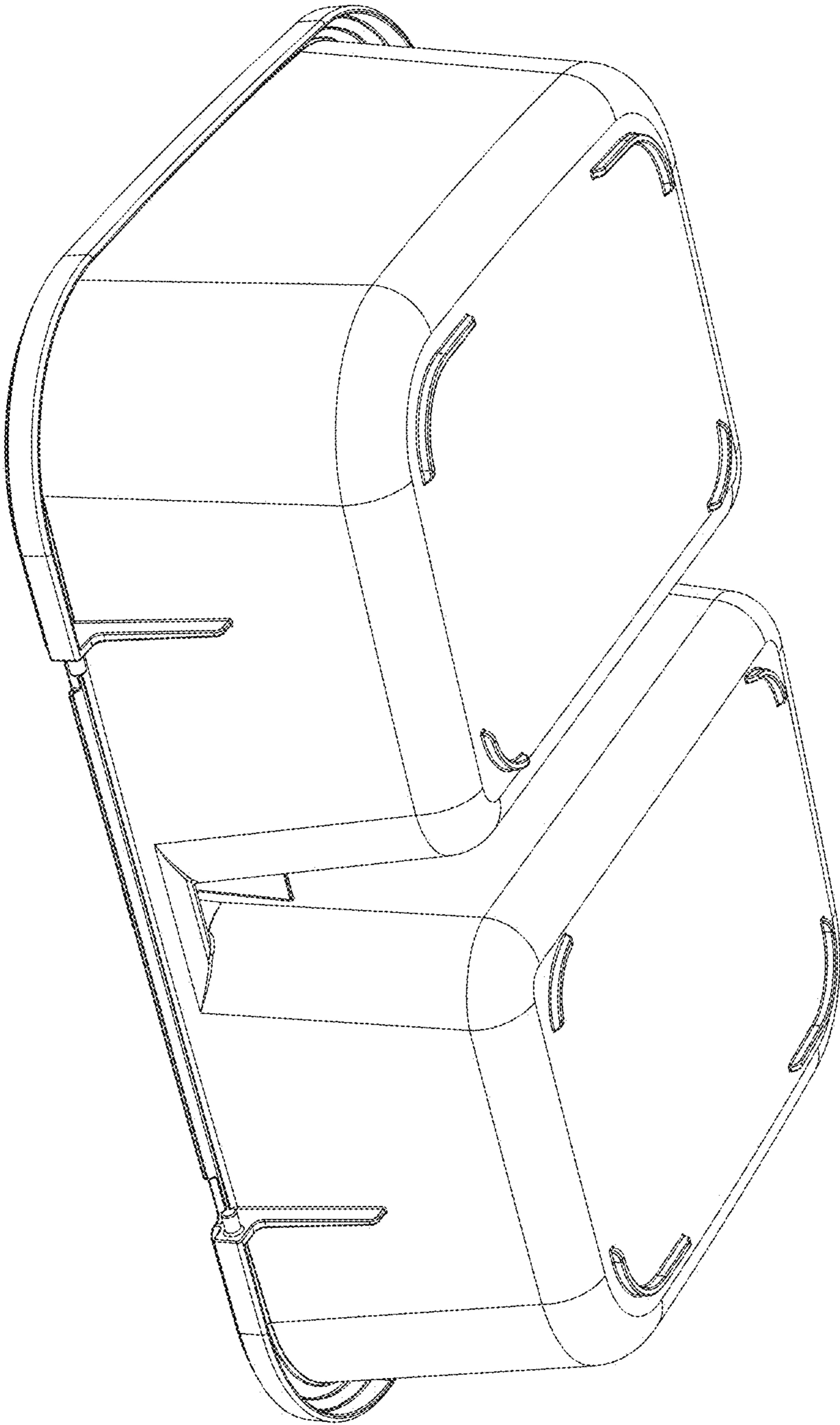


FIG. 2

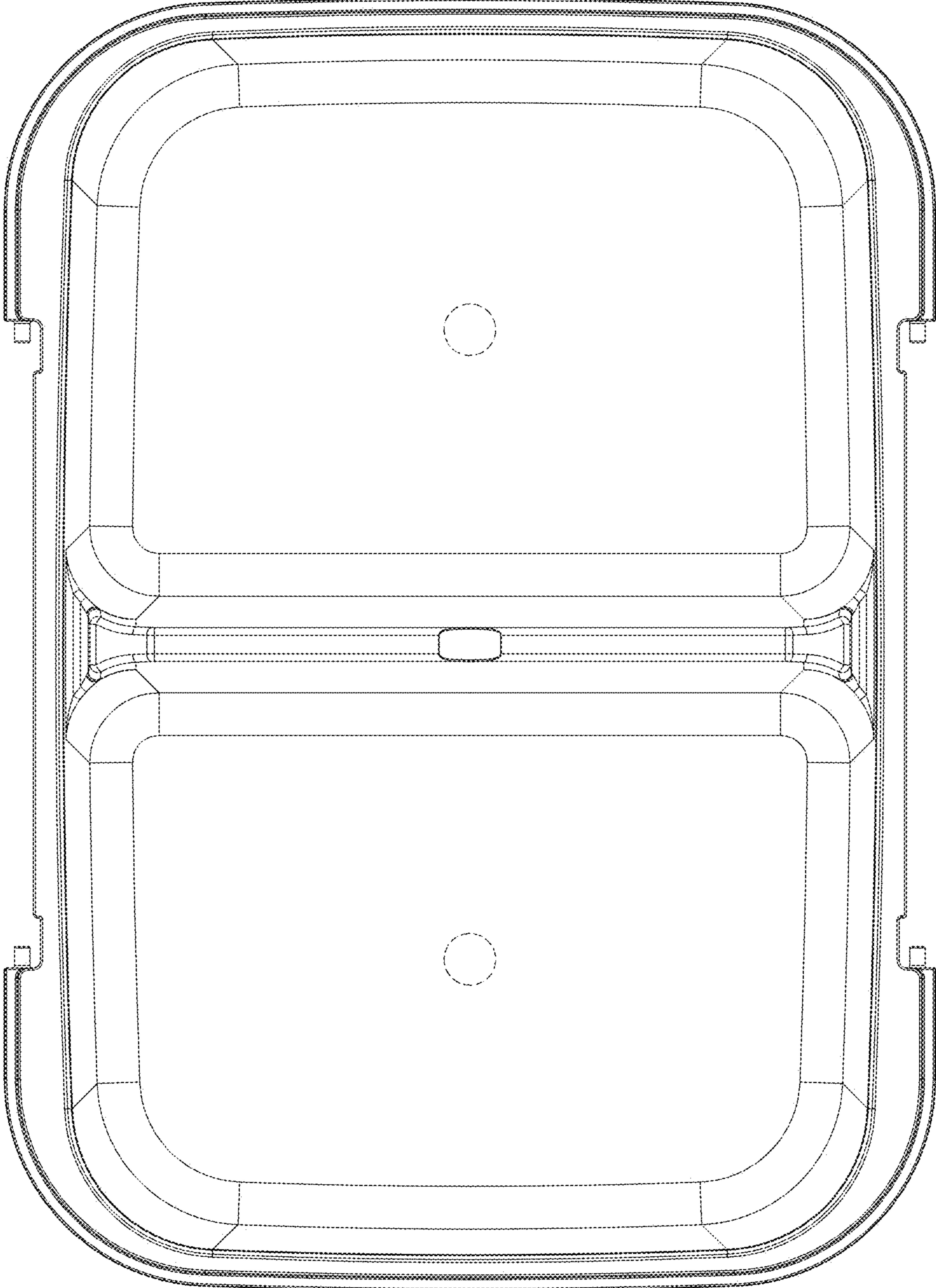


FIG. 3

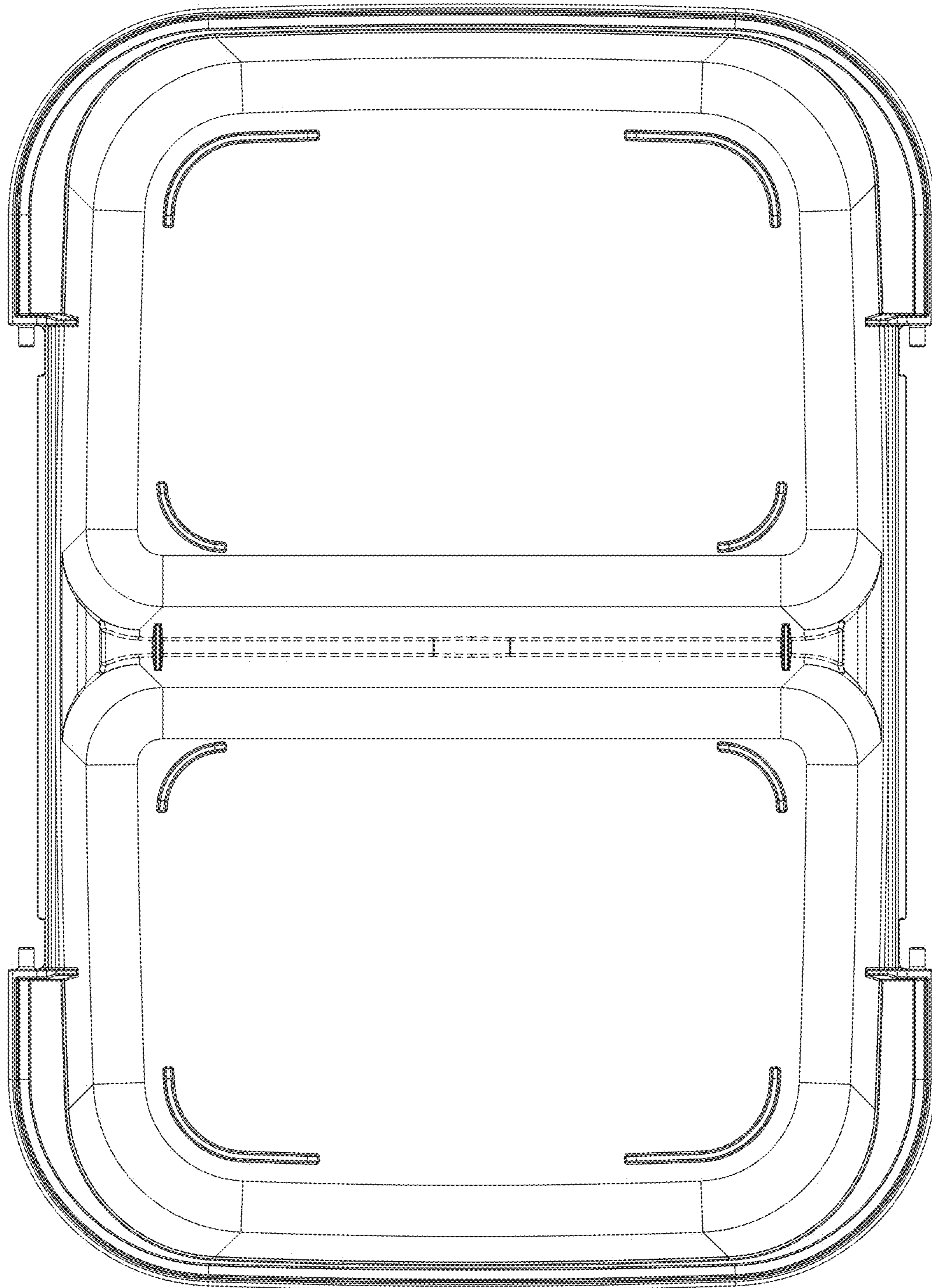


FIG. 4

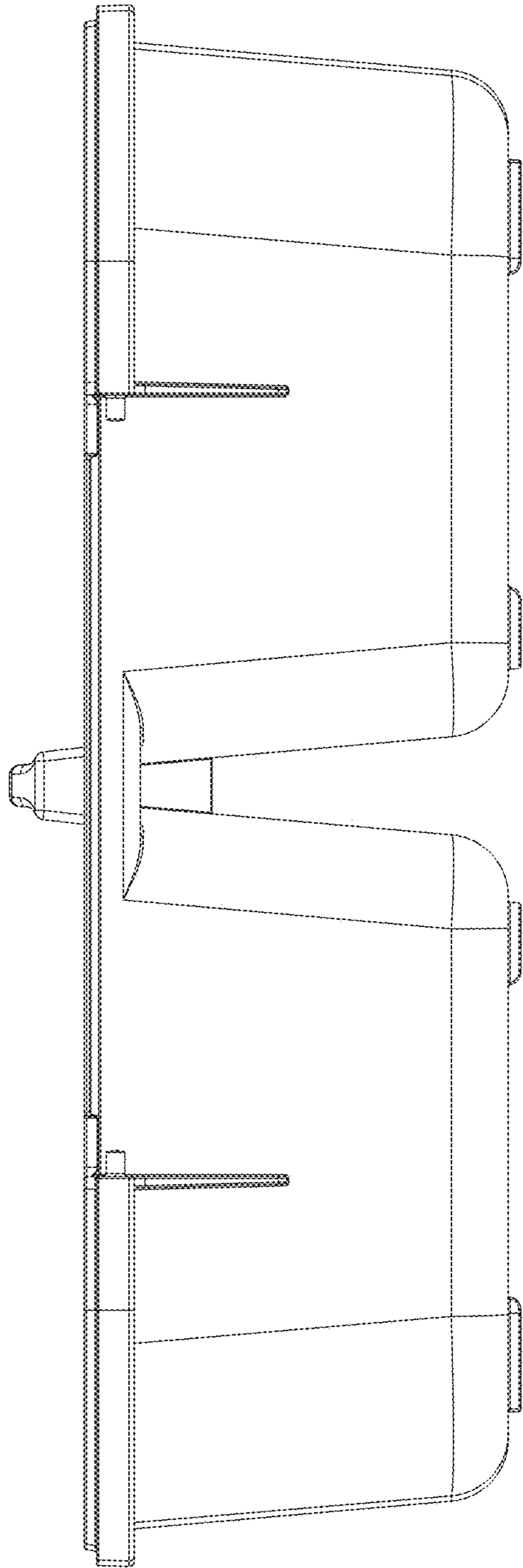


FIG. 5

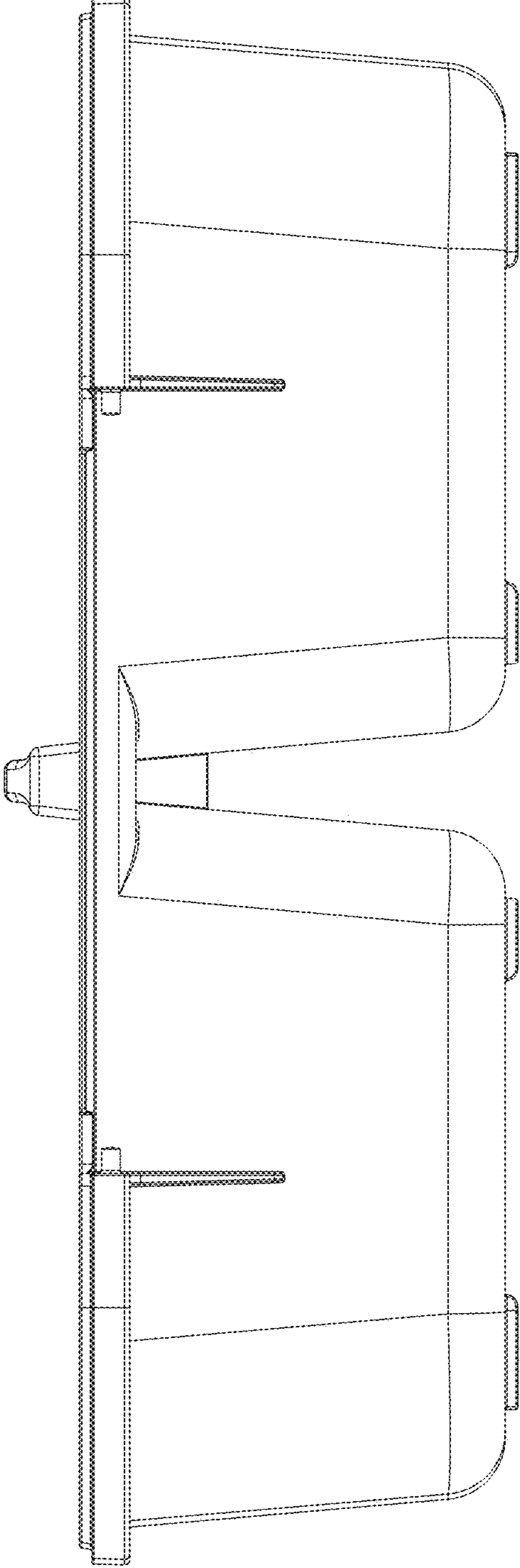


FIG. 6

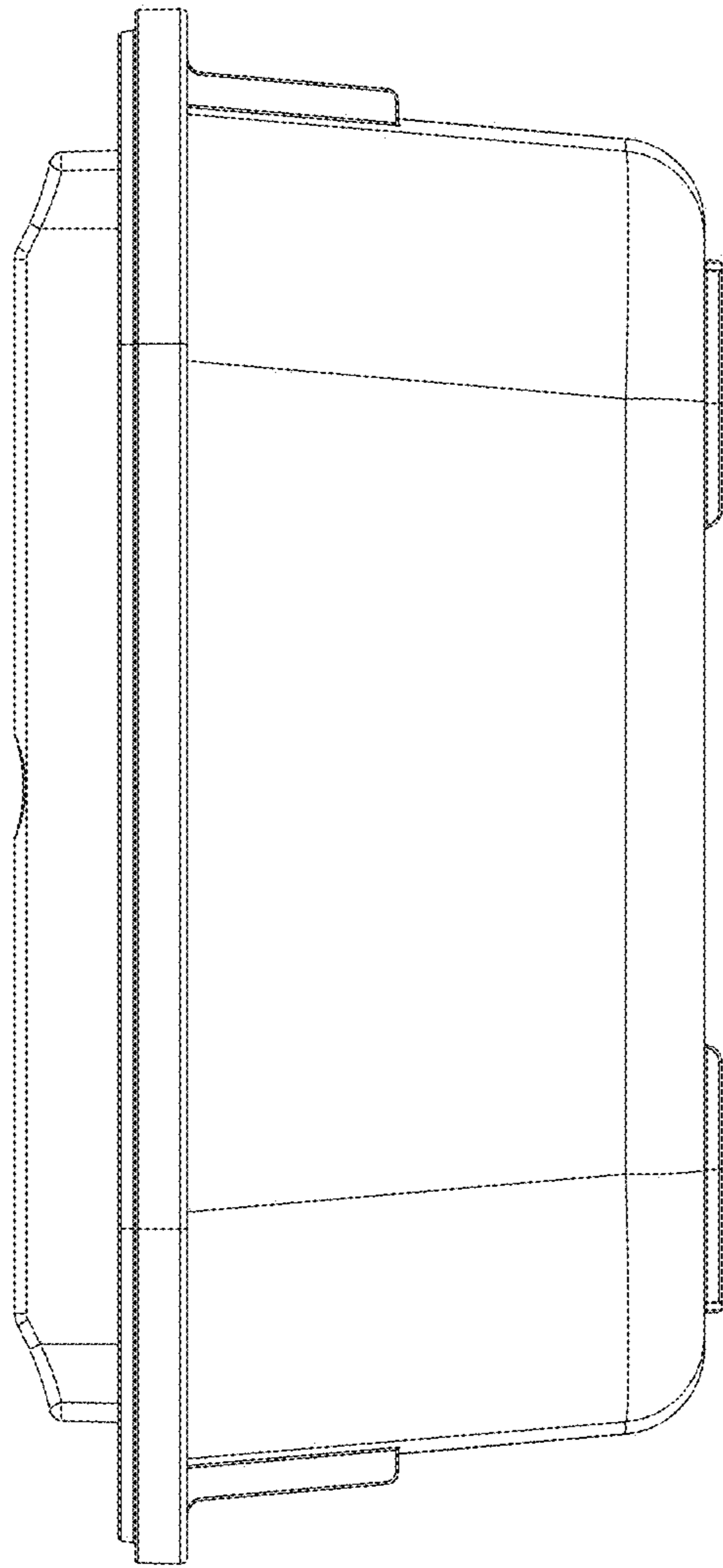


FIG. 7

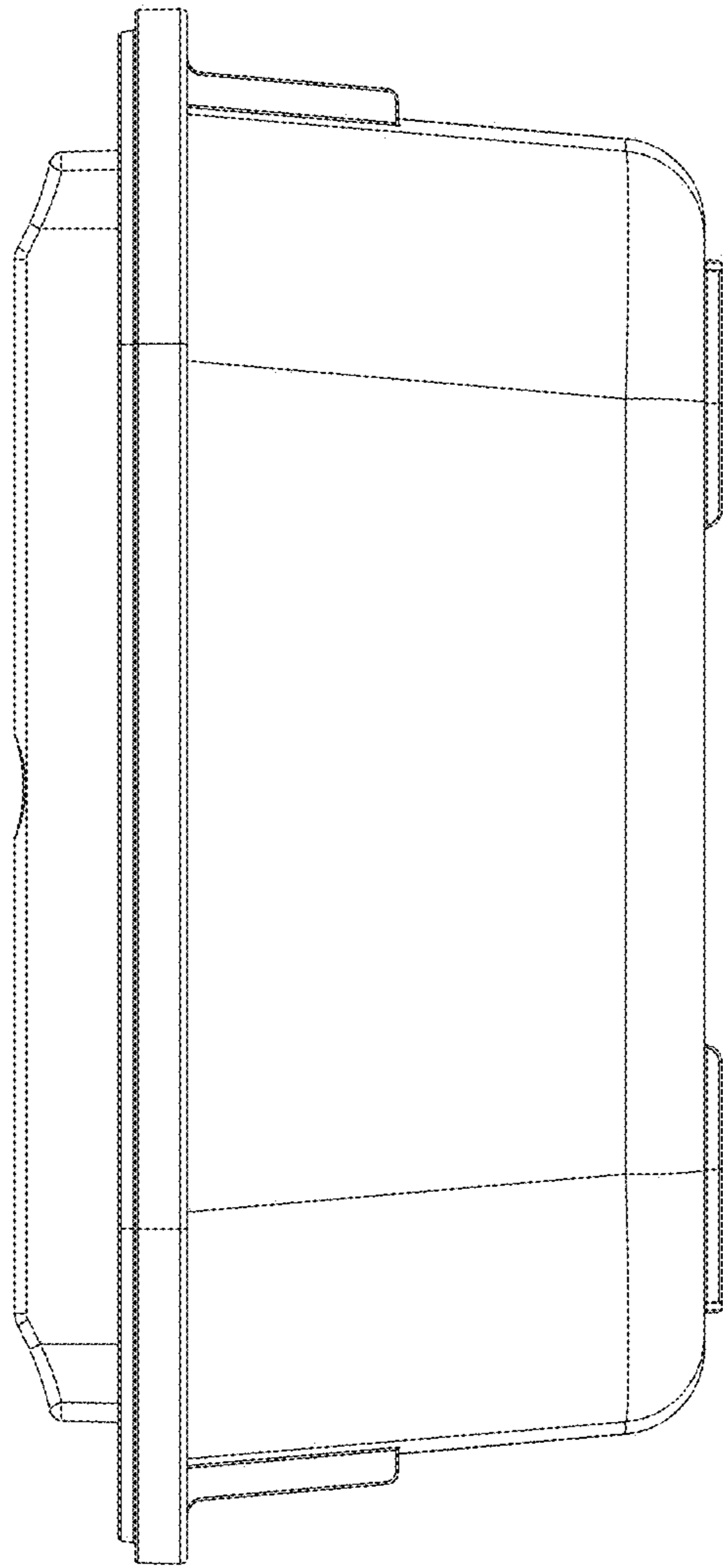


FIG. 8