



US00D913044S

(12) **United States Design Patent** (10) **Patent No.:** **US D913,044 S**
Samartgis (45) **Date of Patent:** **** *Mar. 16, 2021**

(54) **CONTAINER BASE**
(71) Applicant: **THE DECOR CORPORATION PTY LTD**, Scoresby (AU)
(72) Inventor: **Jim Samartgis**, Scoresby (AU)
(73) Assignee: **The Decor Corporation PTY LTD.**, Scoresby (AU)
(*) Notice: This patent is subject to a terminal disclaimer.
(**) Term: **15 Years**
(21) Appl. No.: **29/609,342**
(22) Filed: **Jun. 29, 2017**
(30) **Foreign Application Priority Data**
Feb. 9, 2017 (AU) 201710733
(51) **LOC (13) Cl.** **07-07**
(52) **U.S. Cl.**
USPC **D7/602**
(58) **Field of Classification Search**
USPC D7/590, 597, 600–600.1, 600.3–600.4, D7/602, 614–615, 701, 592, 596, 619.1, D7/704, 505, 513, 553.1–553.3, D7/554.3–555, 611; D6/675, 680.2, D6/675.1–675.2, 675.5, 680–680.1, 680.3, D6/681, 690–691; 211/30, 73–74; D9/747, 751–753, 756–758, 759–760, D9/762; 206/129, 712, 736; D19/92, D19/101–105, 107; D32/53, 53.1, 55
CPC F16M 11/00; A47K 1/09; A47F 7/0064; A47J 47/02; A47J 47/06; A47J 47/10; B65D 1/36; B65D 81/3446; B65D 1/00; B65D 45/12; B65D 45/16; B65D 45/18; B65D 45/20; B65D 45/22; B65D 45/30;
(Continued)

(56) **References Cited**
U.S. PATENT DOCUMENTS
D281,048 S * 10/1985 Wolff D7/602
D282,809 S * 3/1986 Daenen D7/602
(Continued)

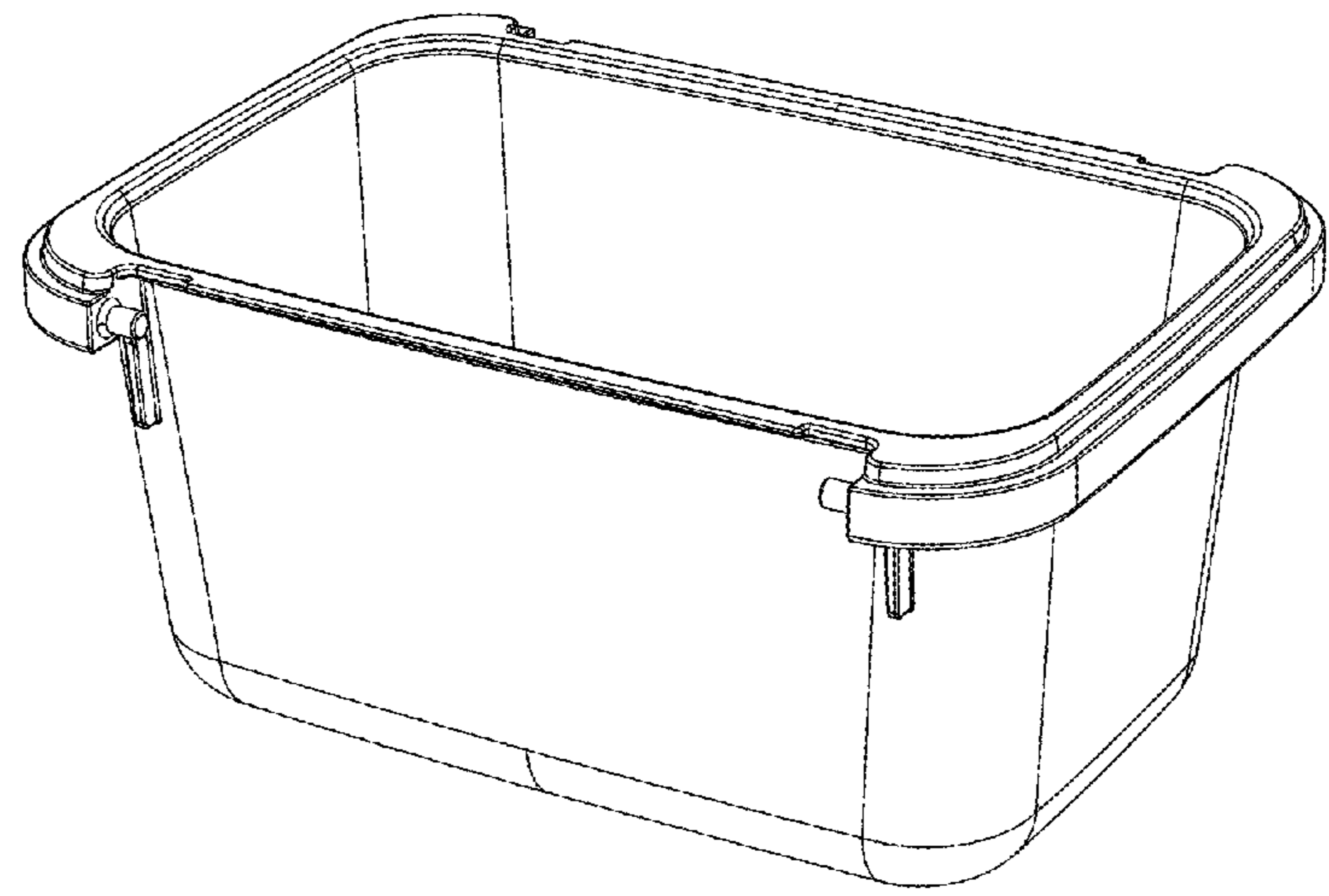
FOREIGN PATENT DOCUMENTS
CN 304039162 * 2/2017
CN 304039164 * 2/2017
KR 300828431.0000 * 12/2015

OTHER PUBLICATIONS
Brilliance Container, Rubbermaid, jamielovesstuff.com, published by blogger Jamie on Nov. 30, 2016 per wayback machine © A Little Desert Apartment, online, site visited Jan. 30, 2019. Available from Internet, URL: <https://web.archive.org/web/20161130184712/http://www.jamielovesstuff.com/2016/11/>. . . (Year: 2016).*
Primary Examiner — Marissa J Cash
Assistant Examiner — Altaira J Swangin
(74) *Attorney, Agent, or Firm* — Kilpatrick Townsend & Stockton LLP

(57) **CLAIM**
The ornamental design for a container base, as shown and described.

DESCRIPTION
FIG. 1 is a top, front perspective view of a container base showing my new design;
FIG. 2 is a bottom, rear perspective view thereof;
FIG. 3 is a top plan view thereof;
FIG. 4 is a bottom plan view thereof;
FIG. 5 is a front elevational view thereof;
FIG. 6 is a rear elevational view thereof;
FIG. 7 is a left side elevational view thereof; and,
FIG. 8 is a right side elevational view thereof.
The broken lines shown in the drawings represent portions of the container base and form no part of the claimed design.

1 Claim, 8 Drawing Sheets



(58) **Field of Classification Search**
 CPC .. B65D 45/322; A47G 23/04; A47G 23/0683;
 A47G 23/06
 See application file for complete search history.

(56) **References Cited**

U.S. PATENT DOCUMENTS

D287,559 S * 1/1987 Daenen D7/586
 D363,662 S * 10/1995 Plater D3/304
 D377,739 S * 2/1997 Carlson D7/602
 D403,924 S * 1/1999 Carlson D7/602
 D496,560 S * 9/2004 Lerner D7/629
 D601,388 S * 10/2009 Carlson D7/602
 7,614,522 B2 * 11/2009 Hsu A47J 36/06
 220/367.1
 D606,812 S * 12/2009 Wu D7/629
 D614,919 S * 5/2010 Carlson D7/602
 D630,899 S * 1/2011 Samartgis D7/602
 D630,900 S * 1/2011 Samartgis D7/602
 D630,901 S * 1/2011 Samartgis D7/602
 D631,298 S * 1/2011 Samartgis D7/602
 D631,300 S * 1/2011 Samartgis D7/602
 D631,706 S * 2/2011 Samartgis D7/602
 D631,707 S * 2/2011 Samartgis D7/602
 D643,710 S * 8/2011 Samartgis D9/424
 D643,711 S * 8/2011 Samartgis D9/424
 D643,712 S * 8/2011 Samartgis D9/424
 D644,883 S * 9/2011 Samartgis D7/602
 D644,884 S * 9/2011 Samartgis D7/602
 D644,885 S * 9/2011 Samartgis D7/602
 D644,886 S * 9/2011 Samartgis D7/602
 D649,409 S * 11/2011 Segal D7/629
 D649,410 S * 11/2011 Segal D7/629
 D649,839 S * 12/2011 Stamper D7/602
 D655,576 S * 3/2012 Samartgis D7/602
 D655,577 S * 3/2012 Samartgis D7/602
 D655,578 S * 3/2012 Samartgis D7/602
 D664,427 S * 7/2012 Chen D9/425
 8,418,871 B1 * 4/2013 LaMasney B65D 1/34
 220/324
 D697,762 S * 1/2014 Carlson D7/602
 D697,763 S * 1/2014 Carlson D7/602
 D697,764 S * 1/2014 Carlson D7/602
 D702,483 S * 4/2014 Green D7/354
 D708,015 S * 7/2014 Carlson D7/602
 D708,016 S * 7/2014 Carlson D7/602
 D708,017 S * 7/2014 Carlson D7/602

D708,018 S * 7/2014 Carlson D7/602
 D716,613 S * 11/2014 Carlson D7/602
 D717,119 S * 11/2014 Carlson D7/602
 D717,120 S * 11/2014 Carlson D7/602
 D717,121 S * 11/2014 Carlson D7/602
 D717,122 S * 11/2014 Carlson D7/602
 8,998,014 B2 * 4/2015 Iwasaki A45C 11/20
 220/254.1
 D734,991 S * 7/2015 Carlson D7/602
 D751,349 S * 3/2016 Carlson D7/629
 D755,579 S * 5/2016 Wu D7/629
 D756,652 S * 5/2016 Reinhart D3/314
 D766,715 S * 9/2016 Buck D9/432
 D780,573 S * 3/2017 Son D9/425
 D787,275 S * 5/2017 Carlson D7/602
 D795,015 S * 8/2017 Segal D7/542
 D810,285 S * 2/2018 Adams D24/123
 D813,609 S * 3/2018 Chauhan D7/543
 D815,924 S * 4/2018 Croft D7/629
 D830,790 S * 10/2018 Lee D7/629
 D832,026 S * 10/2018 Garcia Luna D7/360
 D838,108 S * 1/2019 Samartgis D3/318
 D838,484 S * 1/2019 Samartgis D3/318
 10,730,670 B2 * 8/2020 Lee A45C 11/20
 2007/0095837 A1 * 5/2007 Meier B65D 45/16
 220/324
 2007/0235452 A1 * 10/2007 Killinger B42F 17/08
 220/326
 2010/0200588 A1 * 8/2010 Bergman B65D 81/2038
 220/203.01
 2012/0267369 A1 * 10/2012 Duvigneau B29C 45/0081
 220/203.01
 2014/0299227 A1 * 10/2014 Dix B65B 25/04
 141/11
 2015/0014320 A1 * 1/2015 Koo B65D 45/20
 220/324
 2015/0125579 A1 * 5/2015 Schrade A23L 3/3418
 426/234
 2015/0232242 A1 * 8/2015 Carlson B65D 53/02
 220/367.1
 2016/0000271 A1 * 1/2016 Park B65D 81/2038
 220/203.29
 2016/0045054 A1 * 2/2016 Su A47J 47/14
 99/403
 2016/0332785 A1 * 11/2016 Sexton B65D 45/20
 2018/0265263 A1 * 9/2018 Li B65D 45/20

* cited by examiner

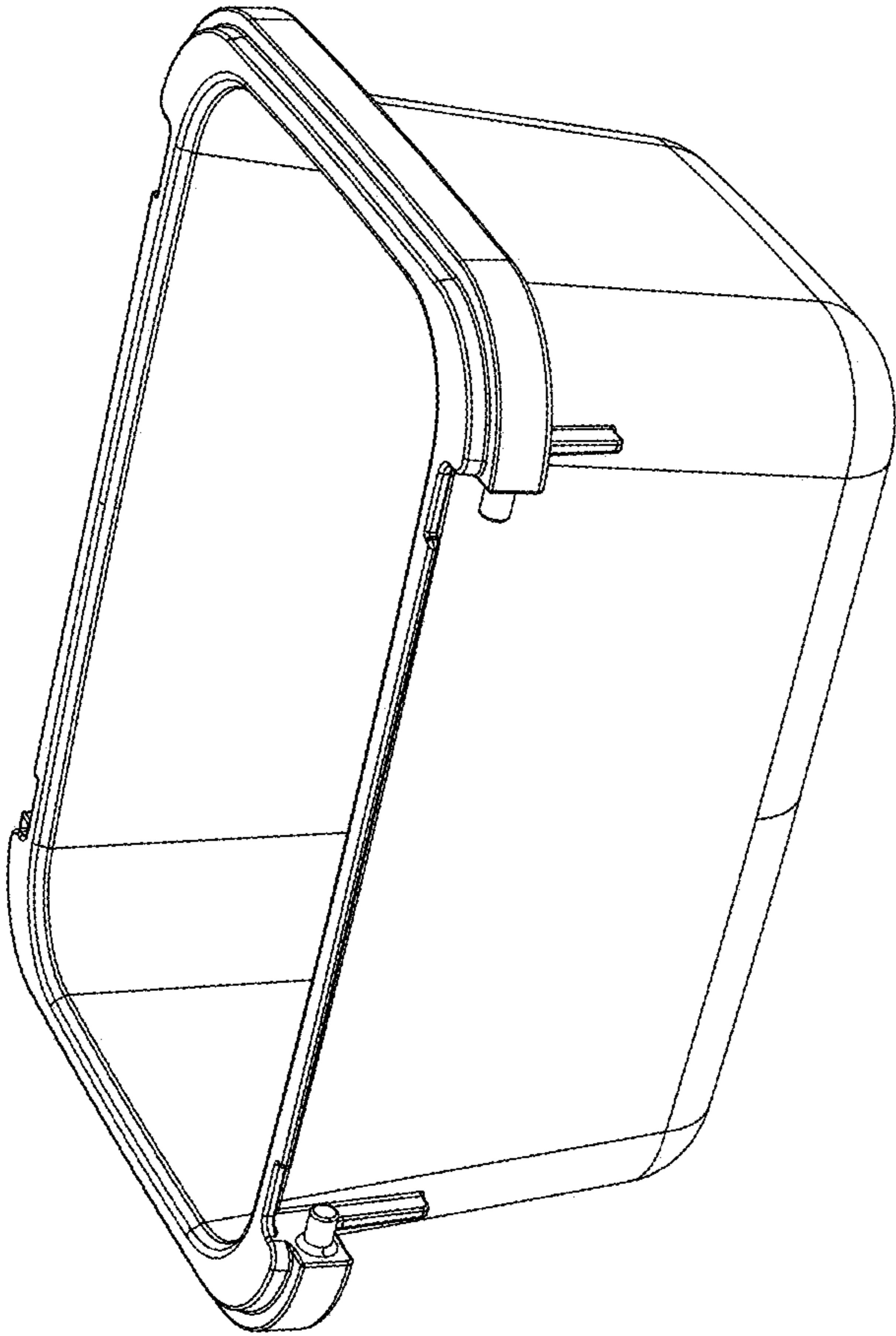


FIG. 1

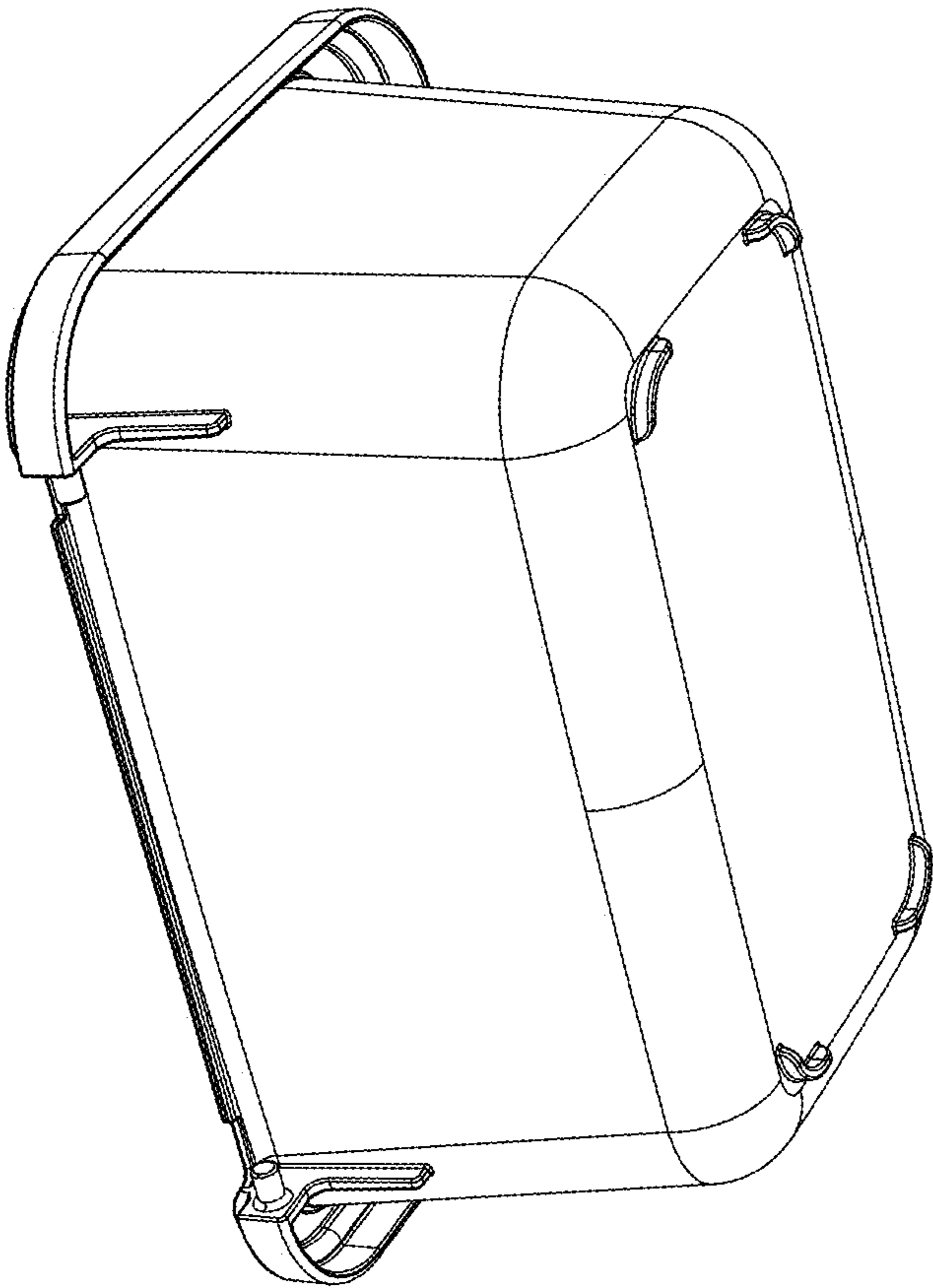


FIG. 2

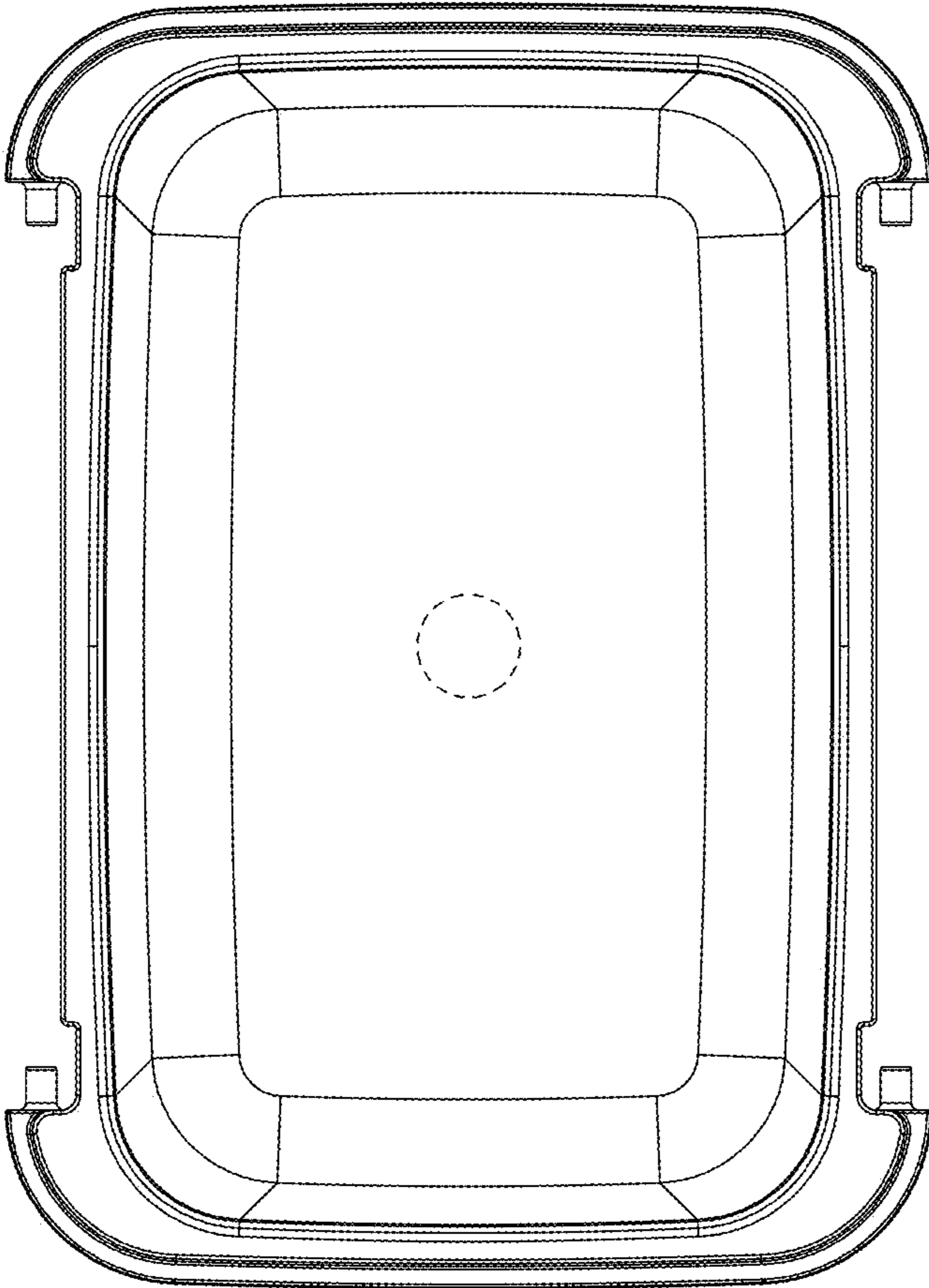


FIG. 3

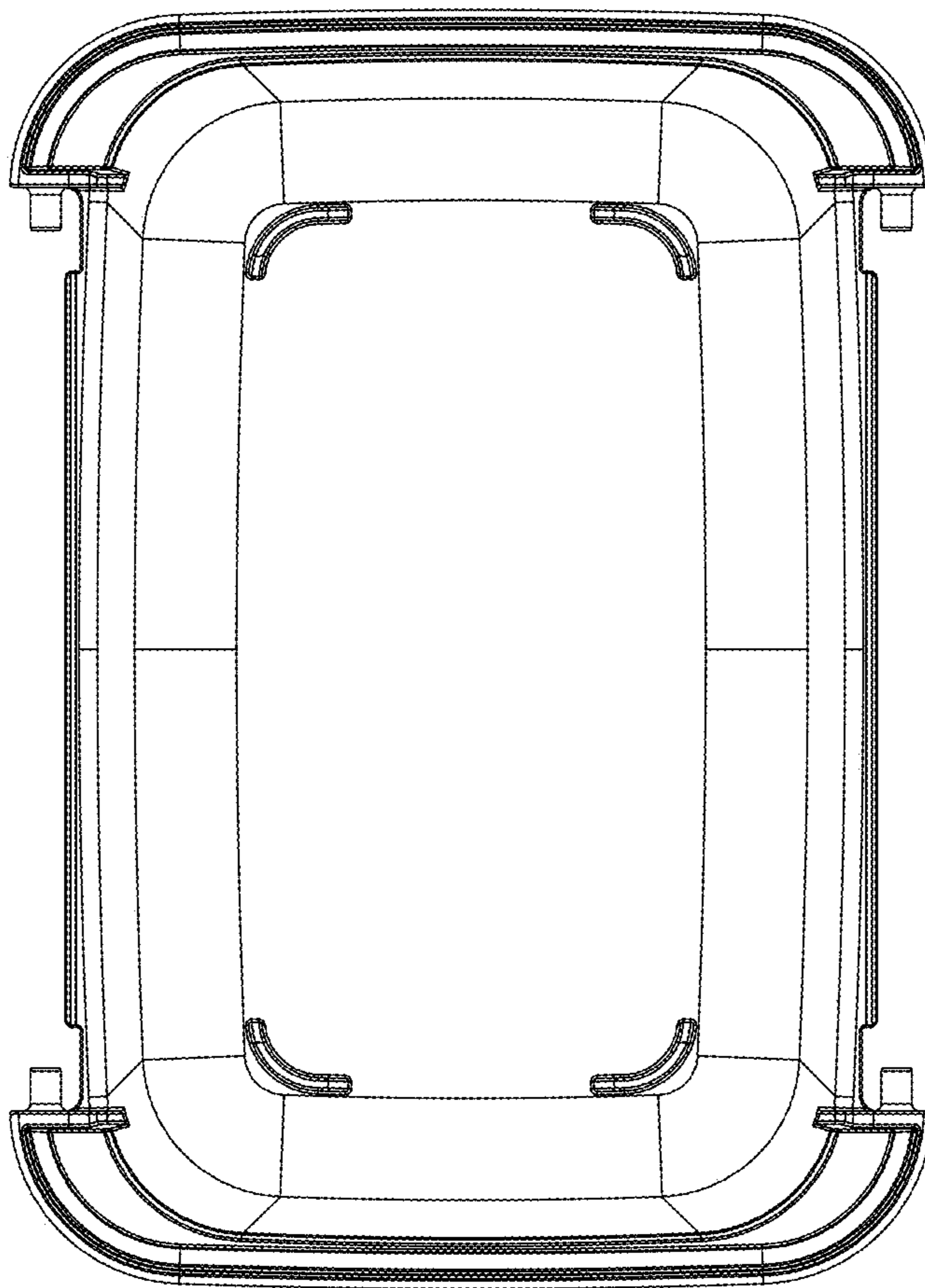


FIG. 4

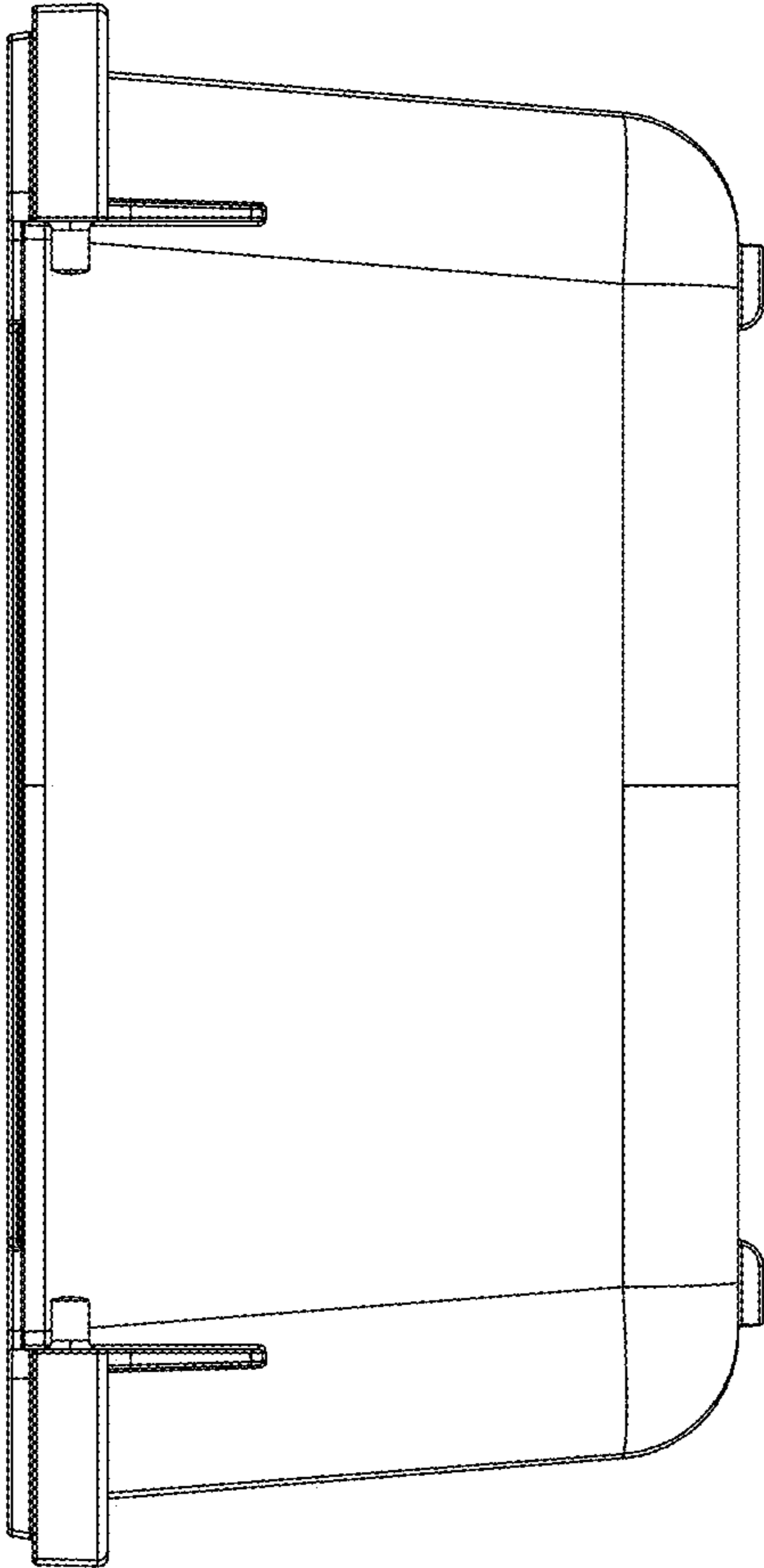


FIG. 5

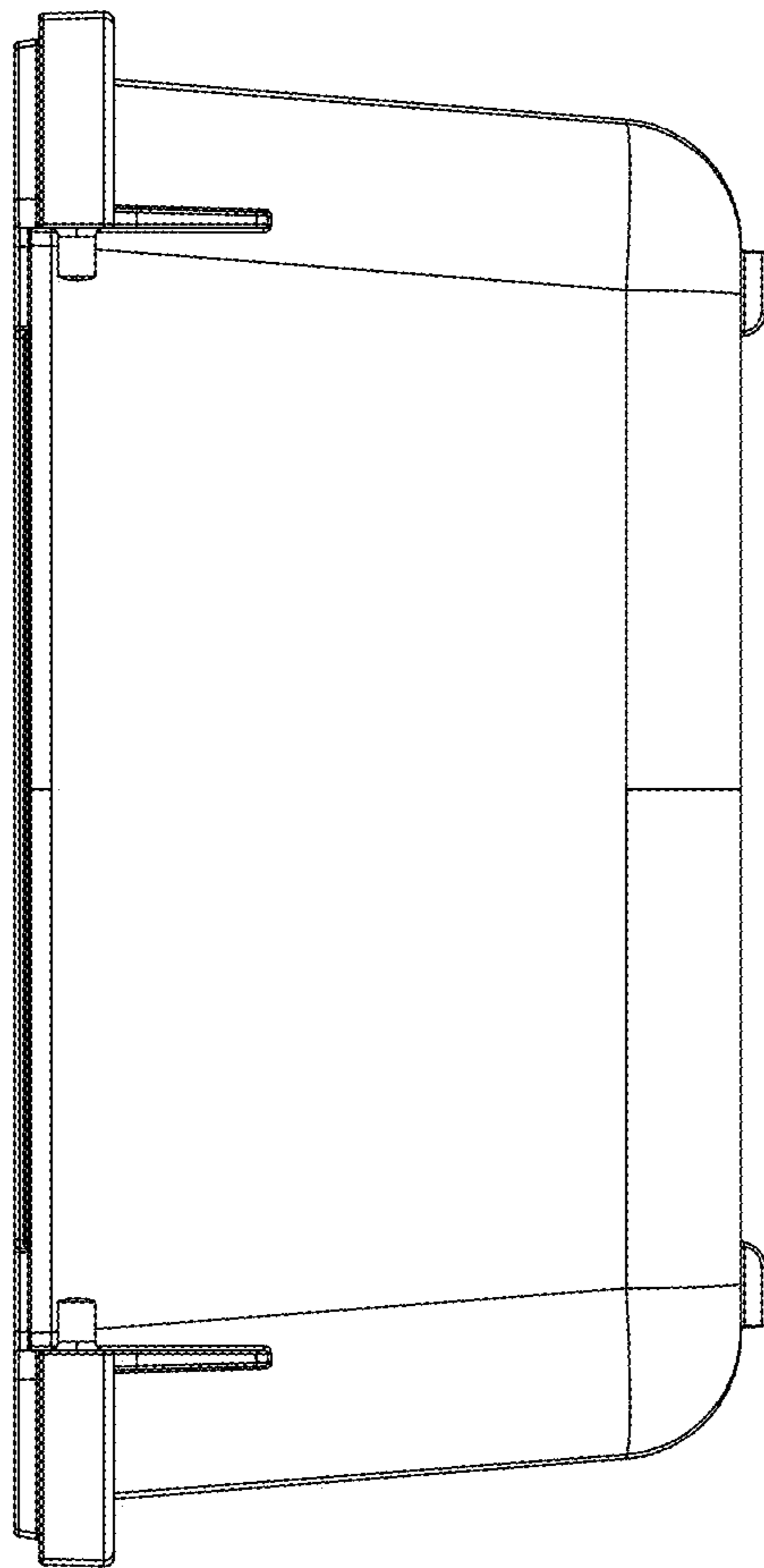


FIG. 6

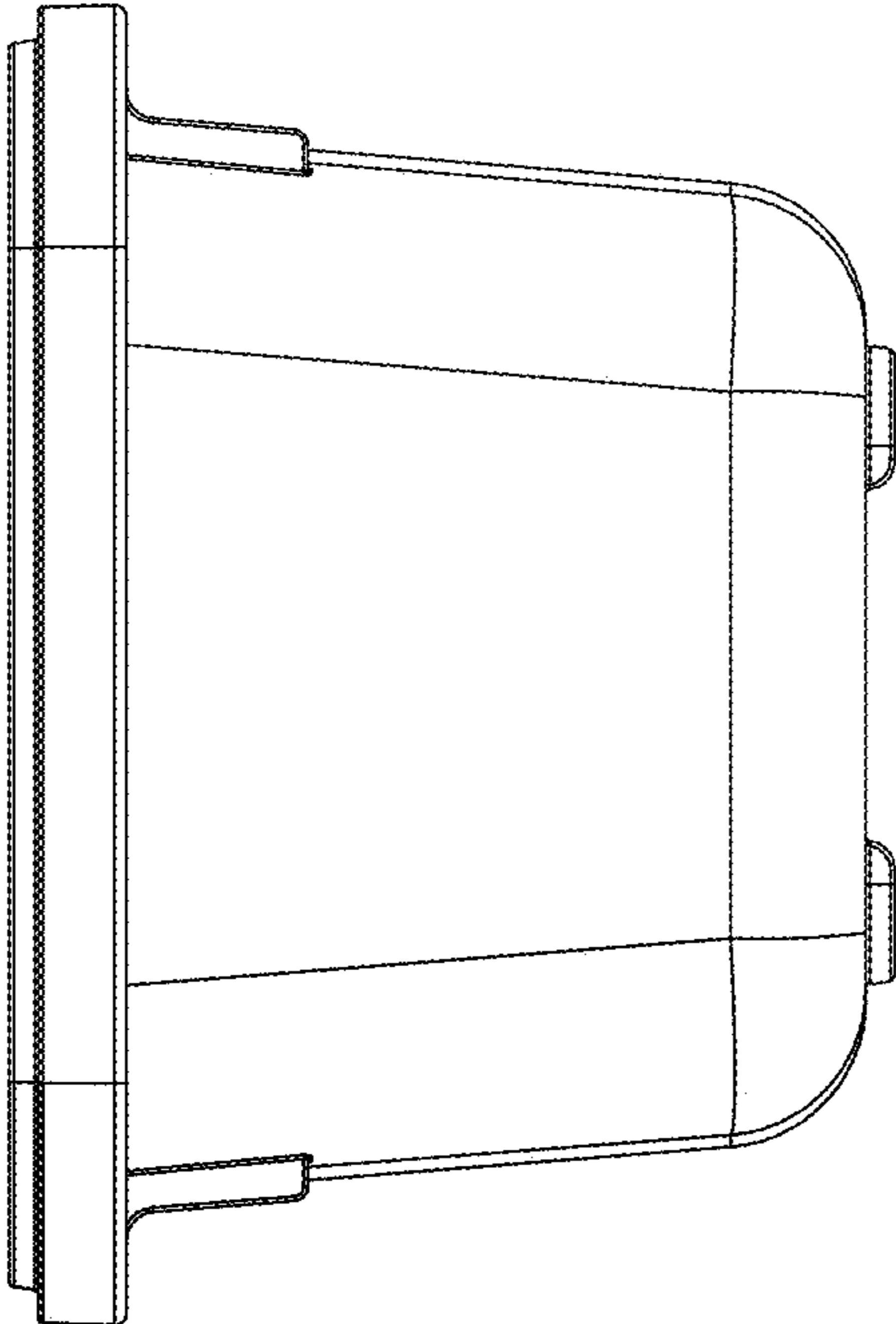


FIG. 7

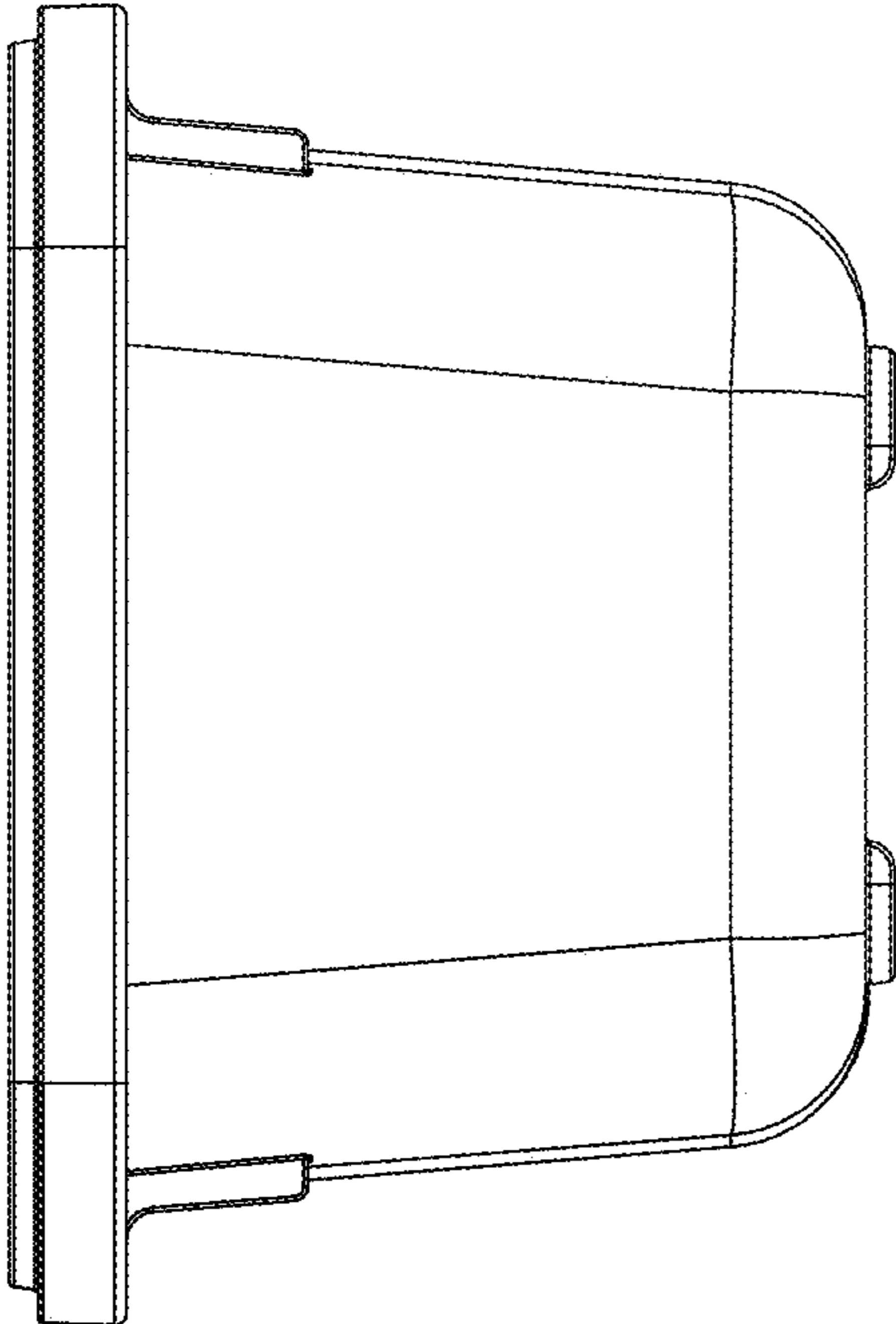


FIG. 8