



US00D913043S

(12) **United States Design Patent**
Miley

(10) **Patent No.:** **US D913,043 S**

(45) **Date of Patent:** **** Mar. 16, 2021**

(54) **HANDHELD DISPENSER FOR FLOWABLE BATTER**

(71) Applicant: **Kristin I. Miley**, New York, NY (US)

(72) Inventor: **Kristin I. Miley**, New York, NY (US)

(**) Term: **15 Years**

(21) Appl. No.: **29/668,640**

(22) Filed: **Oct. 31, 2018**

(51) **LOC (13) Cl.** **07-07**

(52) **U.S. Cl.**
USPC **D7/589**

(58) **Field of Classification Search**
USPC D7/590, 589; 239/13; D9/522, 682;
222/146.5

CPC A47G 19/26; B05B 9/002; B05B 9/005
See application file for complete search history.

(56) **References Cited**

U.S. PATENT DOCUMENTS

- 1,996,628 A * 4/1935 Schneider A21C 11/163
425/376.1
- D316,830 S * 5/1991 Demakas D10/46.2
- D361,478 S * 8/1995 Kinsman D7/679
- D414,369 S * 9/1999 Miller D7/300
- D476,558 S * 7/2003 Cho D9/685
- 8,056,764 B2 * 11/2011 Paasch G01F 11/028
222/146.5
- D665,222 S * 8/2012 Cerasani D7/378
- 9,017,059 B1 * 4/2015 Schultheis B01F 15/0279
425/376.1
- 9,084,499 B2 * 7/2015 Papavero A47G 19/26
- D748,949 S * 2/2016 Long, Sr. D7/590
- 9,493,267 B1 * 11/2016 Citrin B65D 51/245
- D779,888 S * 2/2017 Baker D7/589
- D780,517 S * 3/2017 Boroski D7/511
- 9,637,301 B2 * 5/2017 Godfroid B65D 83/46

- 9,642,503 B1 * 5/2017 Troutman A47K 10/36
- D804,904 S * 12/2017 Noveletsky D7/510
- D817,104 S * 5/2018 Ignatoff D7/589
- 9,975,676 B2 * 5/2018 Chen B65D 55/02
- D823,127 S * 7/2018 Desdoigts D9/692
- D823,128 S * 7/2018 Desdoigts D9/692
- 10,131,473 B2 * 11/2018 Sterling B65D 41/26
- D847,581 S * 5/2019 Gentile D7/602
- 10,279,949 B2 * 5/2019 Maurello B65D 85/72
- D854,886 S * 7/2019 Lou D7/510
- D857,461 S * 8/2019 Korsmit D7/590
- 10,383,467 B2 * 8/2019 Chen A47G 19/26
- 10,392,239 B2 * 8/2019 French B65D 47/265
- D863,891 S * 10/2019 Pochtler D7/590
- D874,217 S * 2/2020 Tsai D7/396.2
- D881,704 S * 4/2020 Sterling D9/521
- D896,038 S * 9/2020 Gadd D7/589
- 2012/0294663 A1 * 11/2012 Papavero A47G 19/26
401/52

* cited by examiner

Primary Examiner — Cynthia R Underwood

(74) *Attorney, Agent, or Firm* — John L. Sotomayor

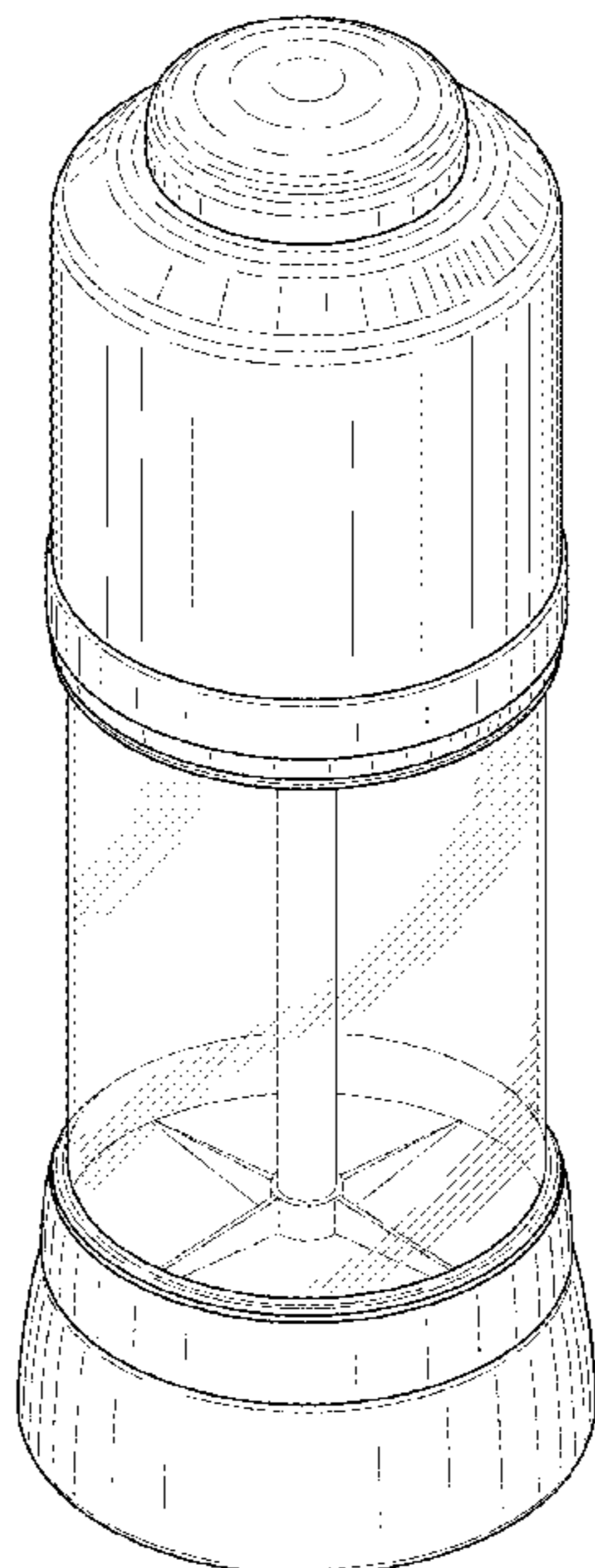
(57) **CLAIM**

The ornamental design for a handheld dispenser for flowable batter, as shown and described.

DESCRIPTION

FIG. 1 is a perspective view of a handheld dispenser for flowable batter embodying the new design;
 FIG. 2 is a front view thereof;
 FIG. 3 is a back view thereof;
 FIG. 4 is a left side view thereof;
 FIG. 5 is a right side view thereof;
 FIG. 6 is a top view thereof; and,
 FIG. 7 is a bottom view thereof.
 The broken lines represent environment that form no part of the claim.

1 Claim, 4 Drawing Sheets



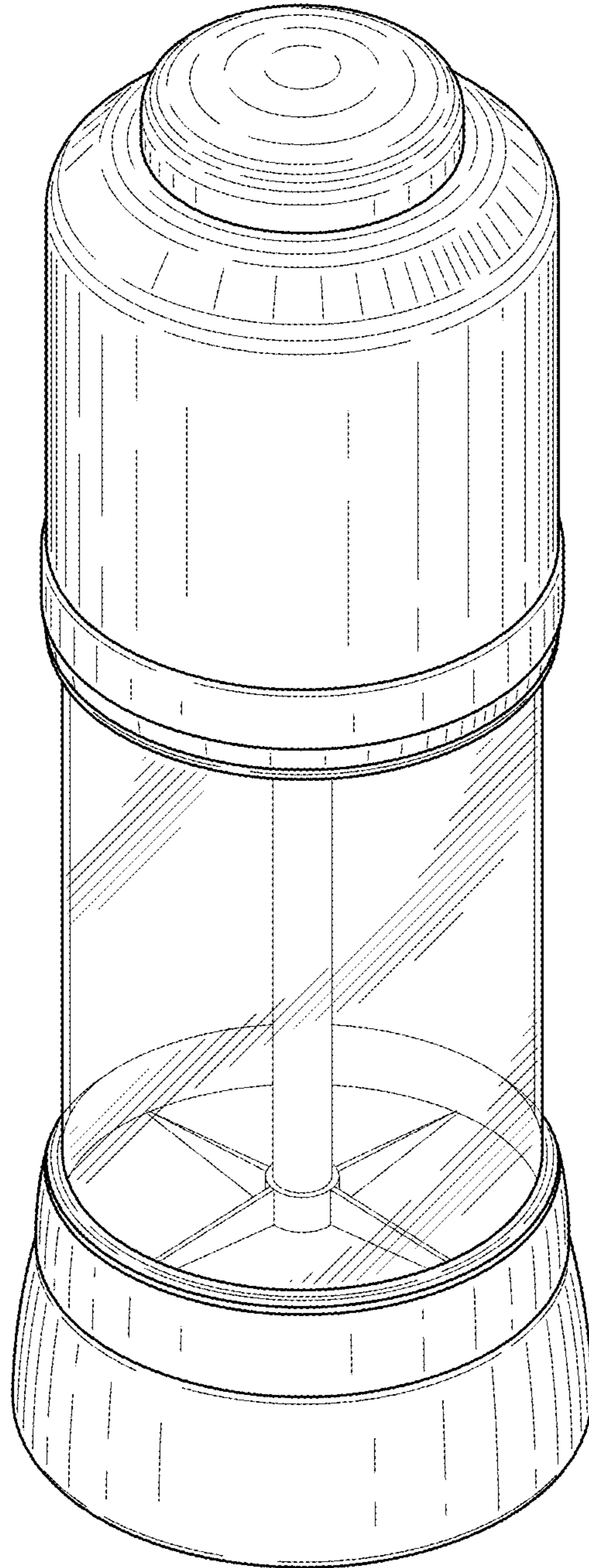


FIG. 1

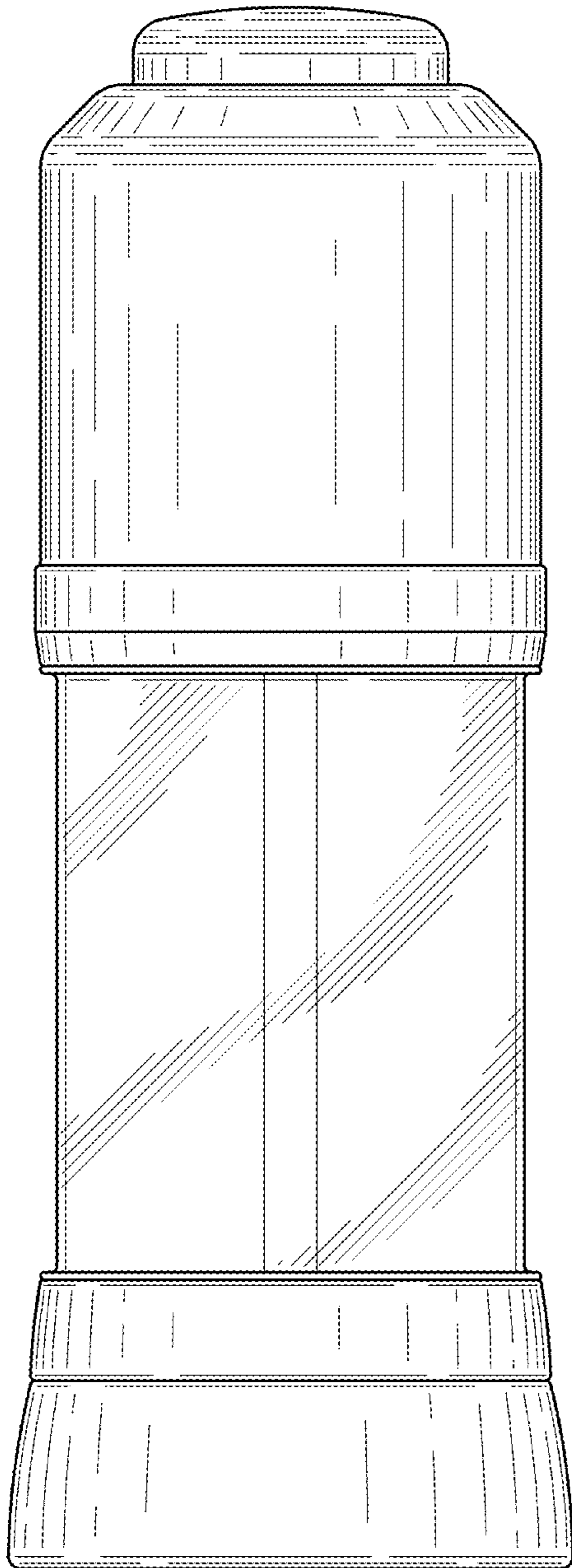


FIG. 2

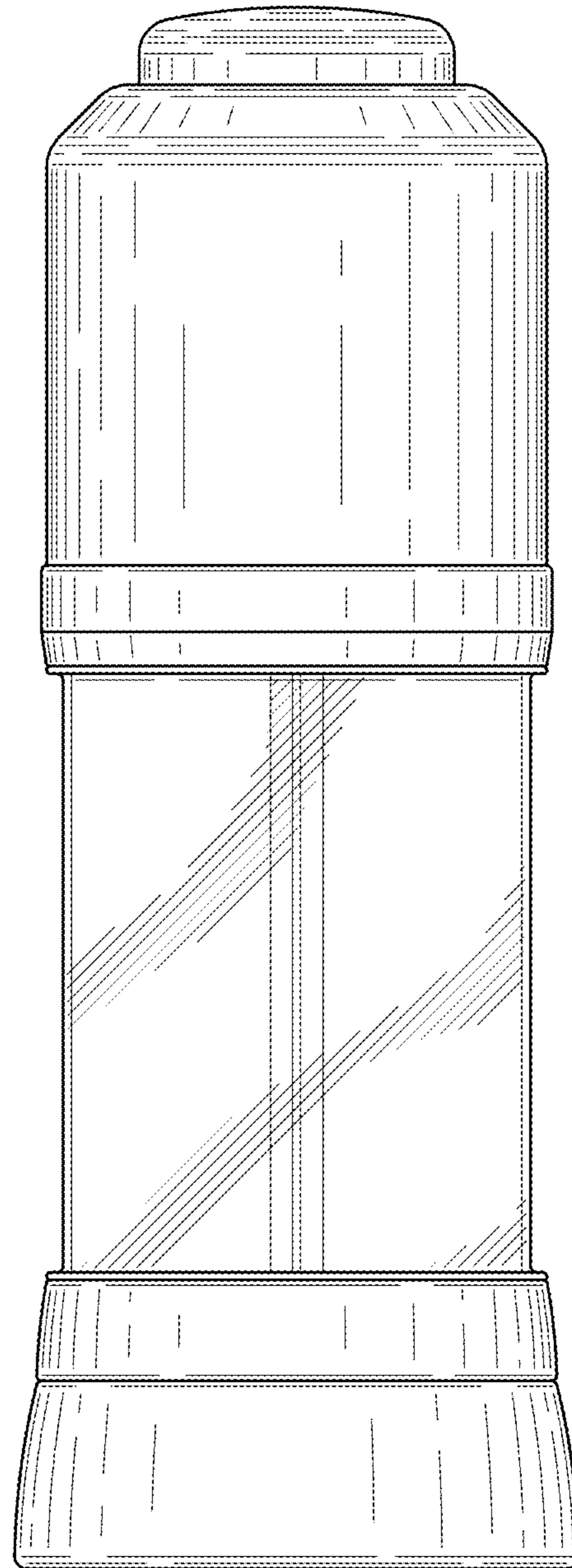


FIG. 3

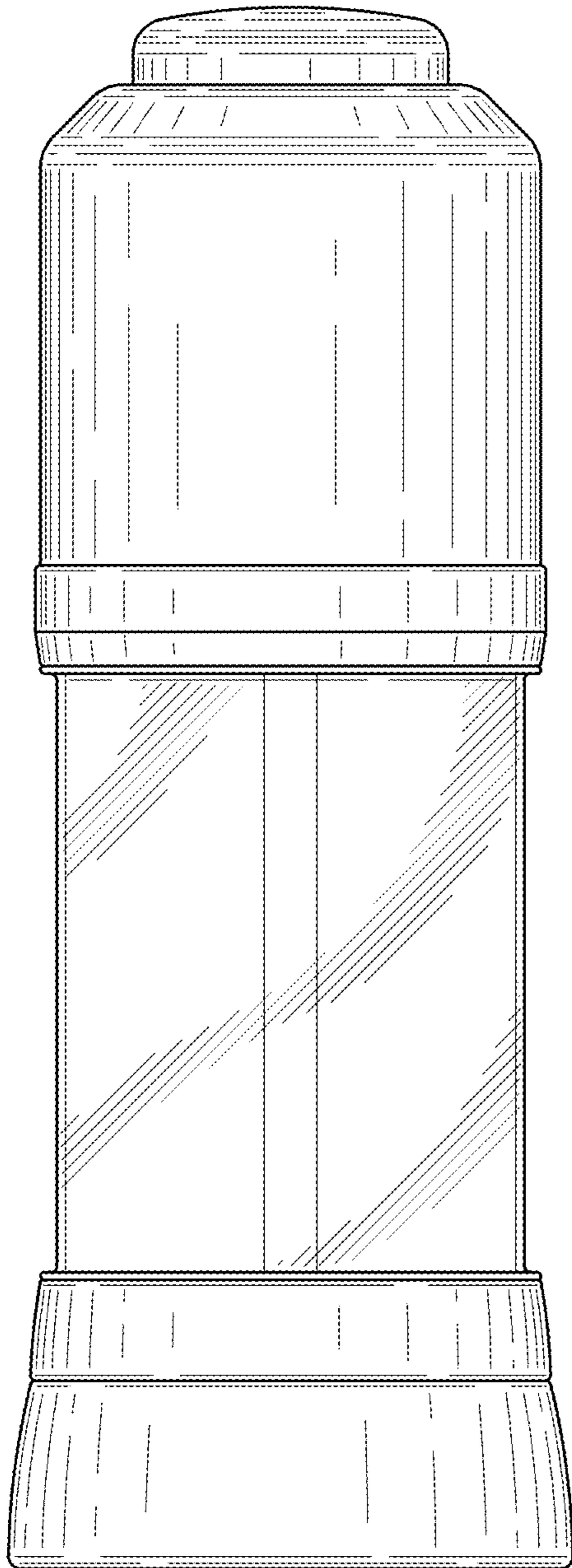


FIG. 4

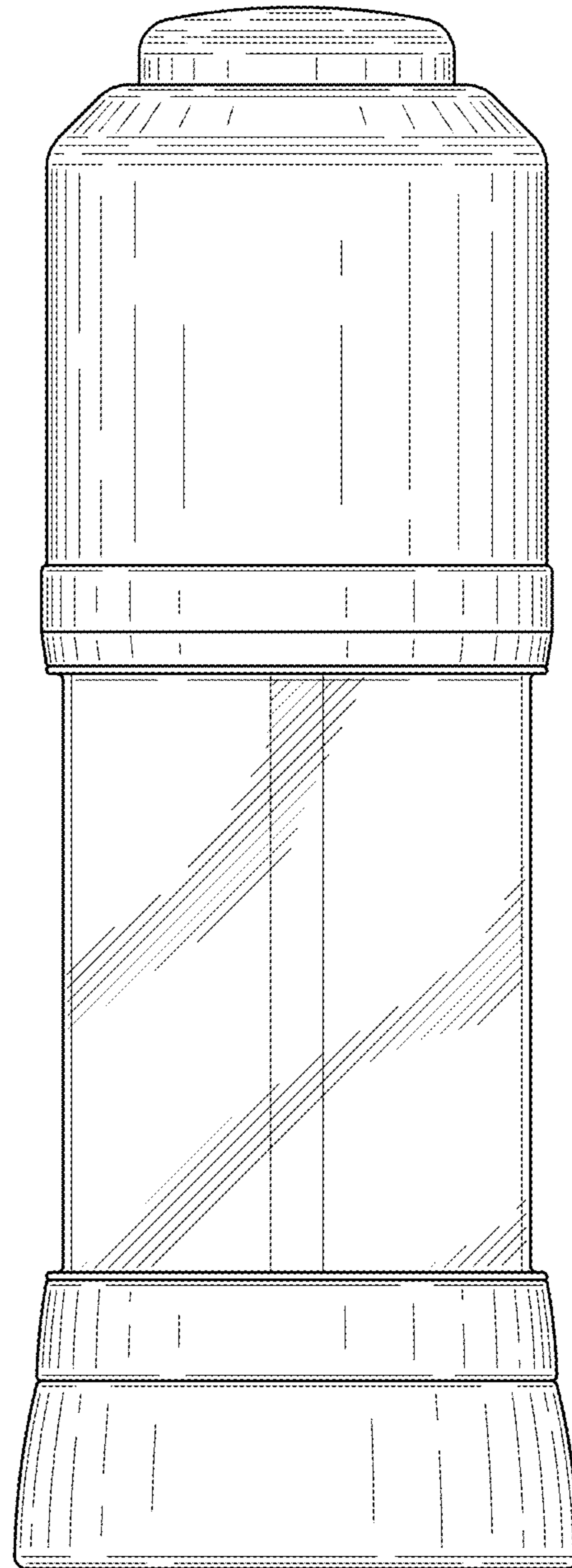


FIG. 5

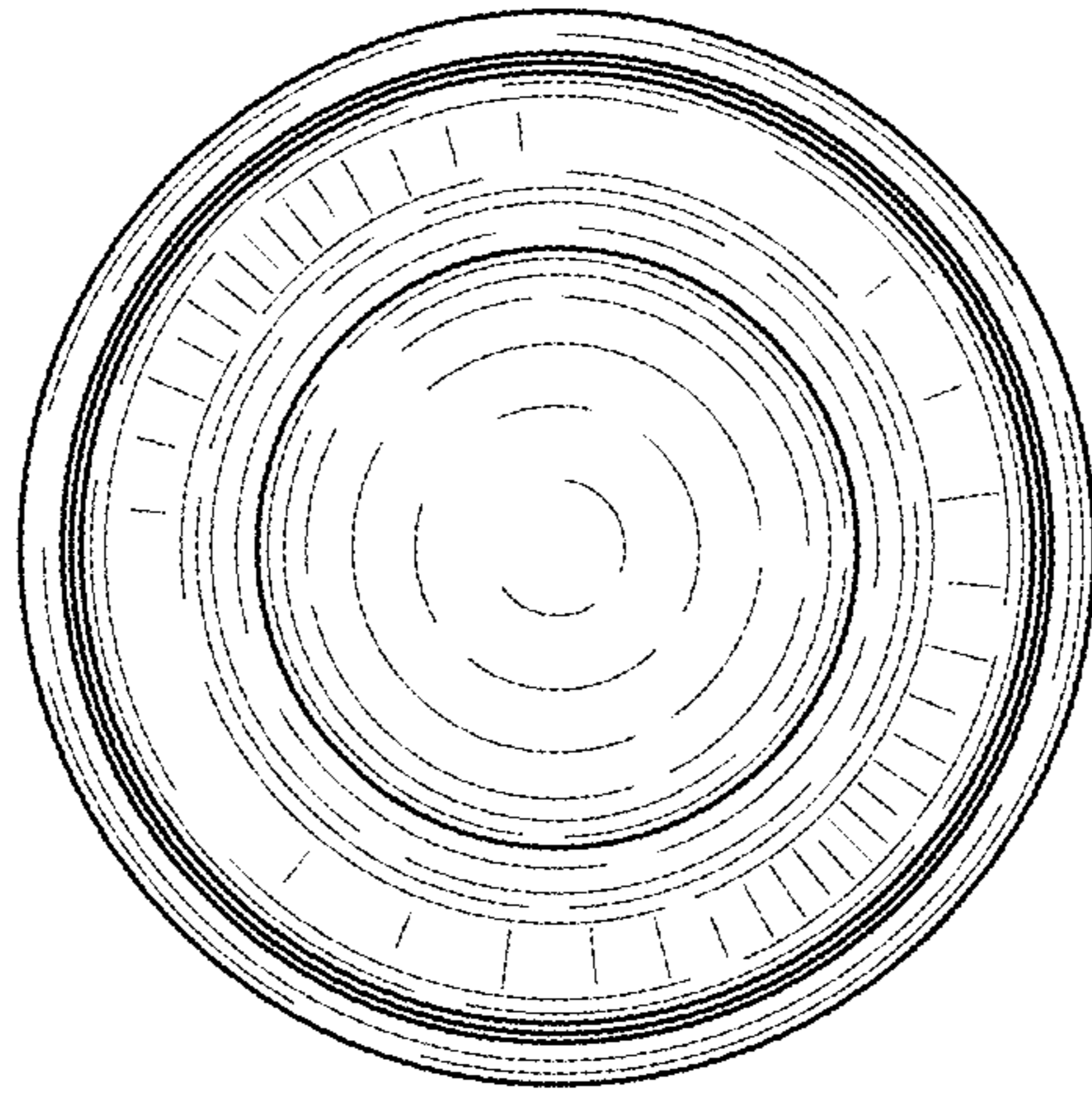


FIG. 6

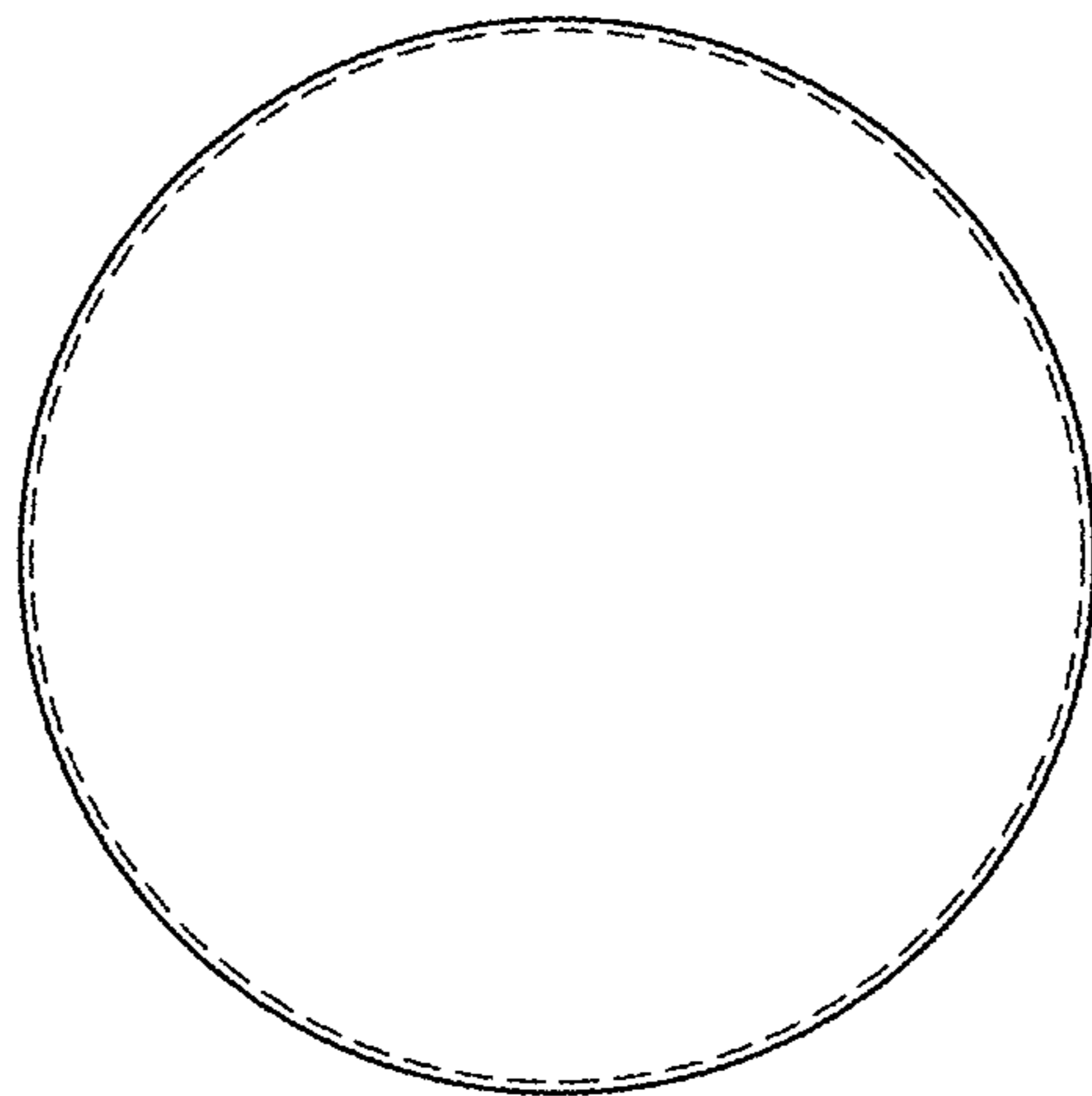


FIG. 7