



US00D913041S

(12) **United States Design Patent**  
**Coleman et al.**

(10) **Patent No.:** **US D913,041 S**  
(45) **Date of Patent:** **\*\* Mar. 16, 2021**

(54) **BOTTLE WITH LID**

FOREIGN PATENT DOCUMENTS

(71) Applicant: **Helen of Troy Limited**, St. Michael (BB)

CN 302892943 \* 7/2014  
JP D1593485 \* 12/2017

(72) Inventors: **Terah Coleman**, Brooklyn, NY (US);  
**Alaina Appelbaum**, Brooklyn, NY (US);  
**Albert J. Kwak**, Brooklyn, NY (US)

OTHER PUBLICATIONS

OXO, "OXO Tot Twist Lid Straw Cup," Sep. 10, 2013, Amazon.com, www.amazon.com/gp/product/B0038JDU91 (Year: 2013).\*

(73) Assignee: **Helen of Troy Limited**, St. Michael (BB)

(Continued)

(\*\*) Term: **15 Years**

*Primary Examiner* — Shannon W Morgan

*Assistant Examiner* — Arva P Adams

(21) Appl. No.: **29/713,150**

(74) *Attorney, Agent, or Firm* — Rankin, Hill & Clark LLP

(22) Filed: **Nov. 14, 2019**

(57) **CLAIM**

(51) **LOC (13) Cl.** ..... **07-01**

The ornamental design for a bottle with lid, as shown and described.

(52) **U.S. Cl.**

USPC ..... **D7/511**

(58) **Field of Classification Search**

**DESCRIPTION**

USPC ..... D9/443, 449, 452, 500–503, 504, 517,  
D9/520, 527, 529, 530, 541, 544, 553,  
D9/556, 558, 564, 640, 667, 683, 686,  
D9/688, 693, 695, 696, 698, 708, 744;  
D7/300.1, 392, 396.2, 507, 509, 510, 511,  
D7/532, 535, 536, 608, 900; D6/698;  
D24/197

FIG. 1 is a perspective view of a bottle with lid, the lid in a closed state;

FIG. 2 is a front elevation view of FIG. 1;

FIG. 3 is a rear elevation view of FIG. 1;

FIG. 4 is a left side elevation view of FIG. 1;

FIG. 5 is a right side elevation view of FIG. 1;

FIG. 6 is a top plan view of FIG. 1;

FIG. 7 is a bottom plan view of FIG. 1.

FIG. 8 is a perspective view of the bottle with lid, the lid rotated to an open state with a spout projected from the lid;

FIG. 9 is a front elevation view of FIG. 8;

FIG. 10 is a rear elevation view of FIG. 8;

FIG. 11 is a left elevation view of FIG. 8;

FIG. 12 is a right elevation view of FIG. 8;

FIG. 13 is a top view of FIG. 8; and,

FIG. 14 is a bottom view of FIG. 8.

The broken lines in the drawings depict portions of the bottle with lid that form no part of the claimed design.

CPC ..... A47G 19/2211; A47G 19/2222;  
A47G 19/22; A47G 19/2272; A47G  
19/2227; A47G 19/2288; B65D 3/26;  
B65D 1/04; B65D 51/24; B65D 23/00;  
A45F 3/20; A45F 3/16

See application file for complete search history.

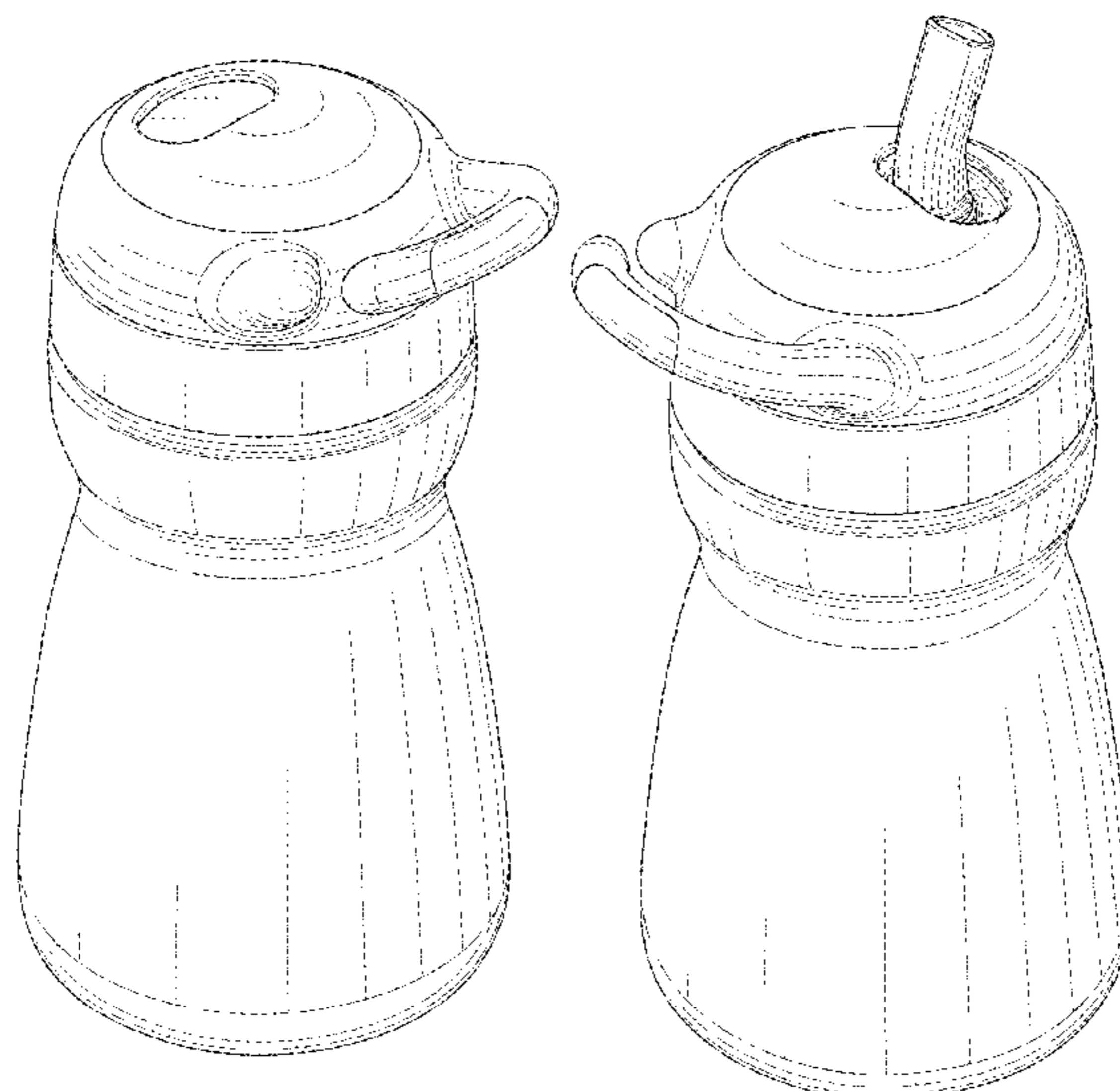
(56) **References Cited**

U.S. PATENT DOCUMENTS

D504,049 S \* 4/2005 Morano ..... D7/510  
D518,335 S \* 4/2006 Naft ..... A47G 19/2266  
D7/320

(Continued)

**1 Claim, 12 Drawing Sheets**



(56)

**References Cited**

U.S. PATENT DOCUMENTS

D713,687 S \* 9/2014 Lv ..... A47G 19/2266  
D7/510  
D732,676 S \* 6/2015 Prentice ..... D24/197  
D742,174 S \* 11/2015 Roth ..... A47G 19/2266  
D7/510  
D800,506 S \* 10/2017 Wu ..... B65D 47/065  
D7/534  
D821,147 S \* 6/2018 Chung ..... D7/510  
D821,815 S \* 7/2018 Chung ..... D7/510  
D892,560 S \* 8/2020 Wang ..... D7/511  
D902,654 S \* 11/2020 Davies ..... D7/510  
D906,818 S \* 1/2021 Sun ..... D9/500  
2009/0255944 A1 \* 10/2009 Yamashita ..... A47G 19/2266  
220/705  
2015/0307265 A1 \* 10/2015 Winn ..... B65D 47/065  
426/66

OTHER PUBLICATIONS

Spurrier, MD, Juliet, "Playtex Anytime Spout Cup Review," Jun. 2, 2014, Baby Gear Lab, [www.babygearlab.com/reviews/nursing-feeding/sippy-cup/playtext-anytime-spout-cup](http://www.babygearlab.com/reviews/nursing-feeding/sippy-cup/playtext-anytime-spout-cup) (Year: 2014).\*

Oxo Tot, "Oxo Tot Transitions Straw Cup," Feb. 14, 2017, Amazon.ca, [www.amazon.ca/dp/B079KFB4NR](http://www.amazon.ca/dp/B079KFB4NR) (Year: 2017).\*

Oxo, "Oxo Adventure Water Bottle Teal," Oct. 21, 2020, Amazon.ca, [www.amazon.ca/dp/B08LJ28HKK](http://www.amazon.ca/dp/B08LJ28HKK) (Year: 2020).\*

\* cited by examiner



FIG. 1

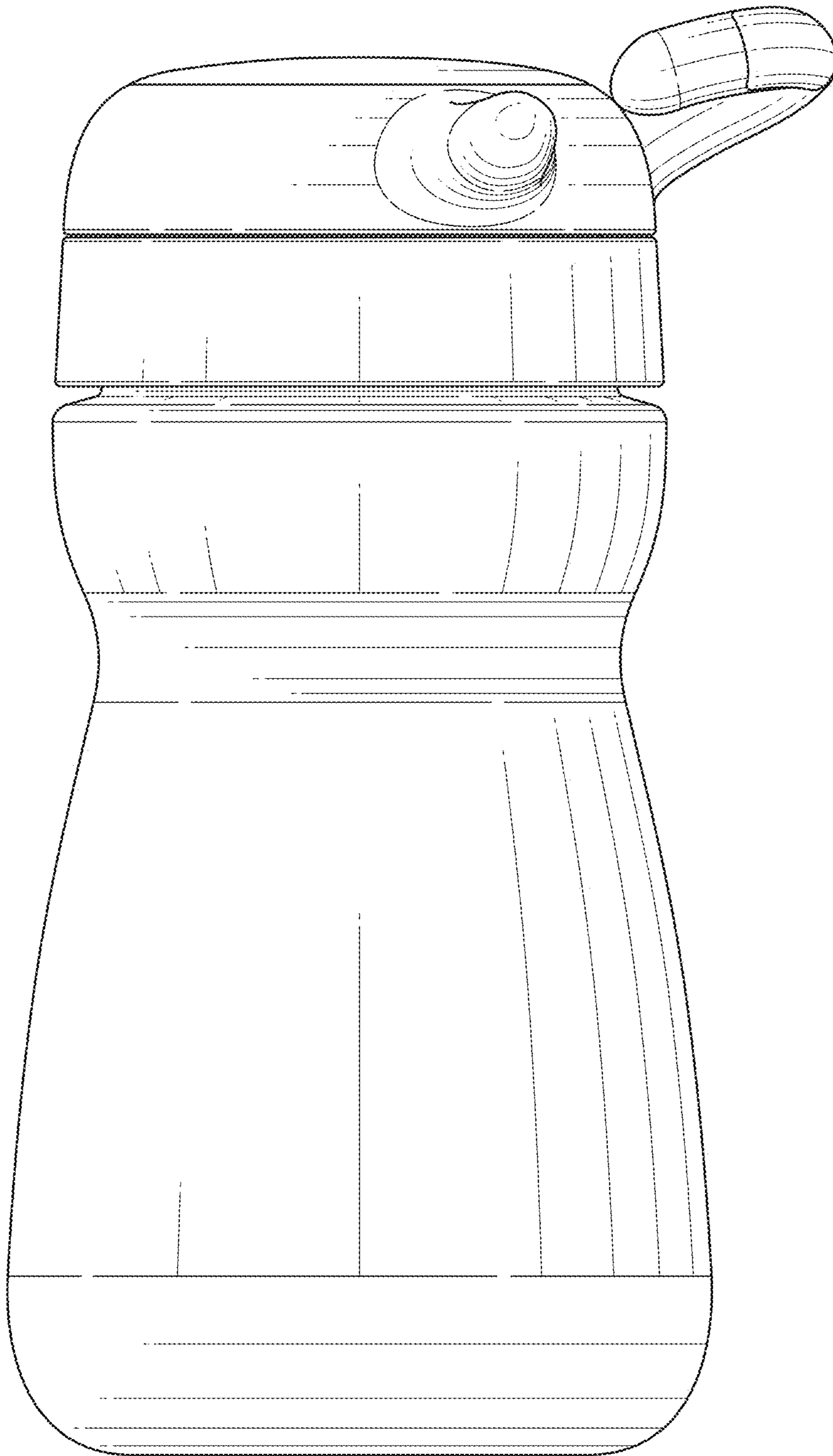


FIG. 2

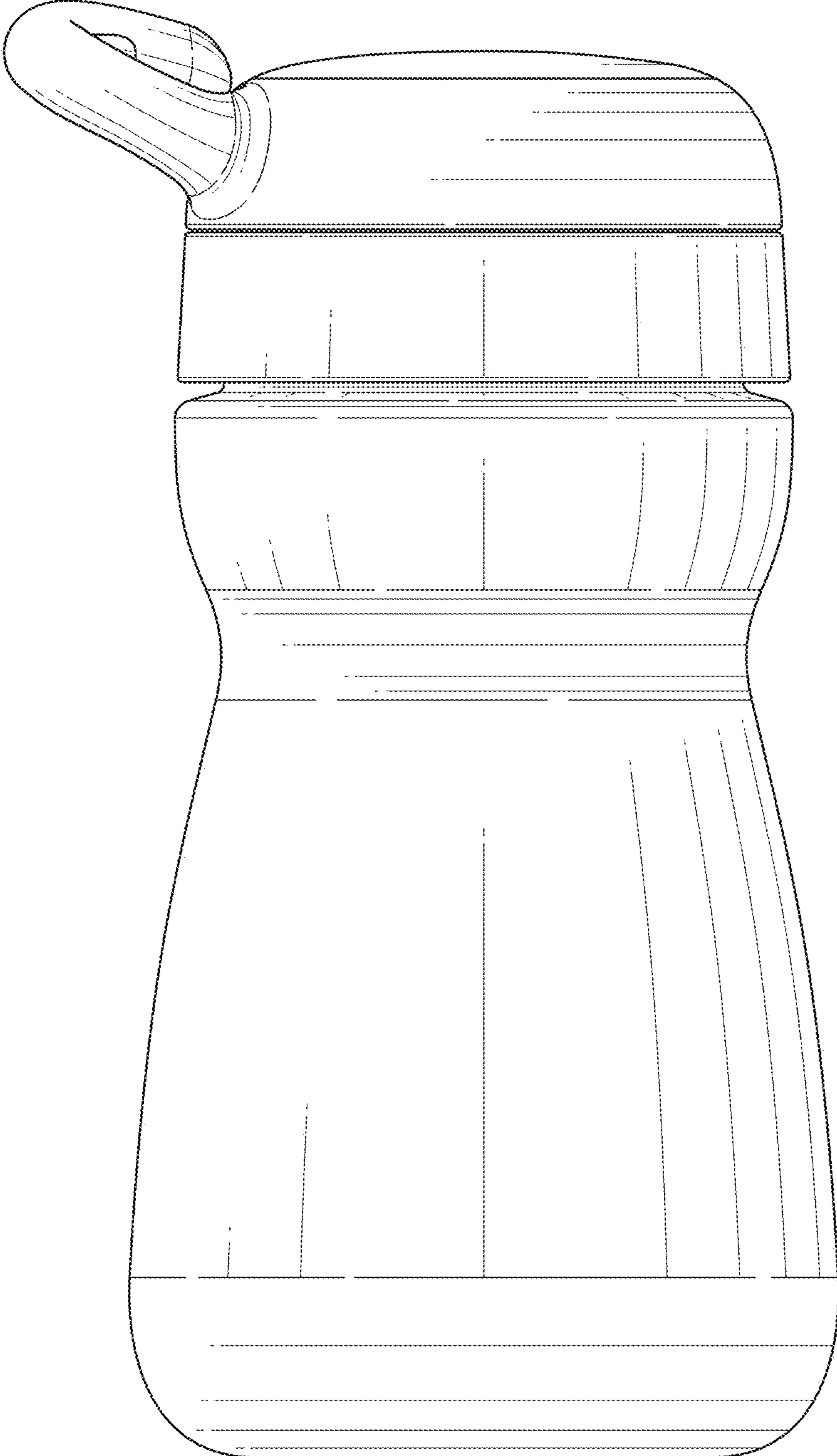


FIG. 3

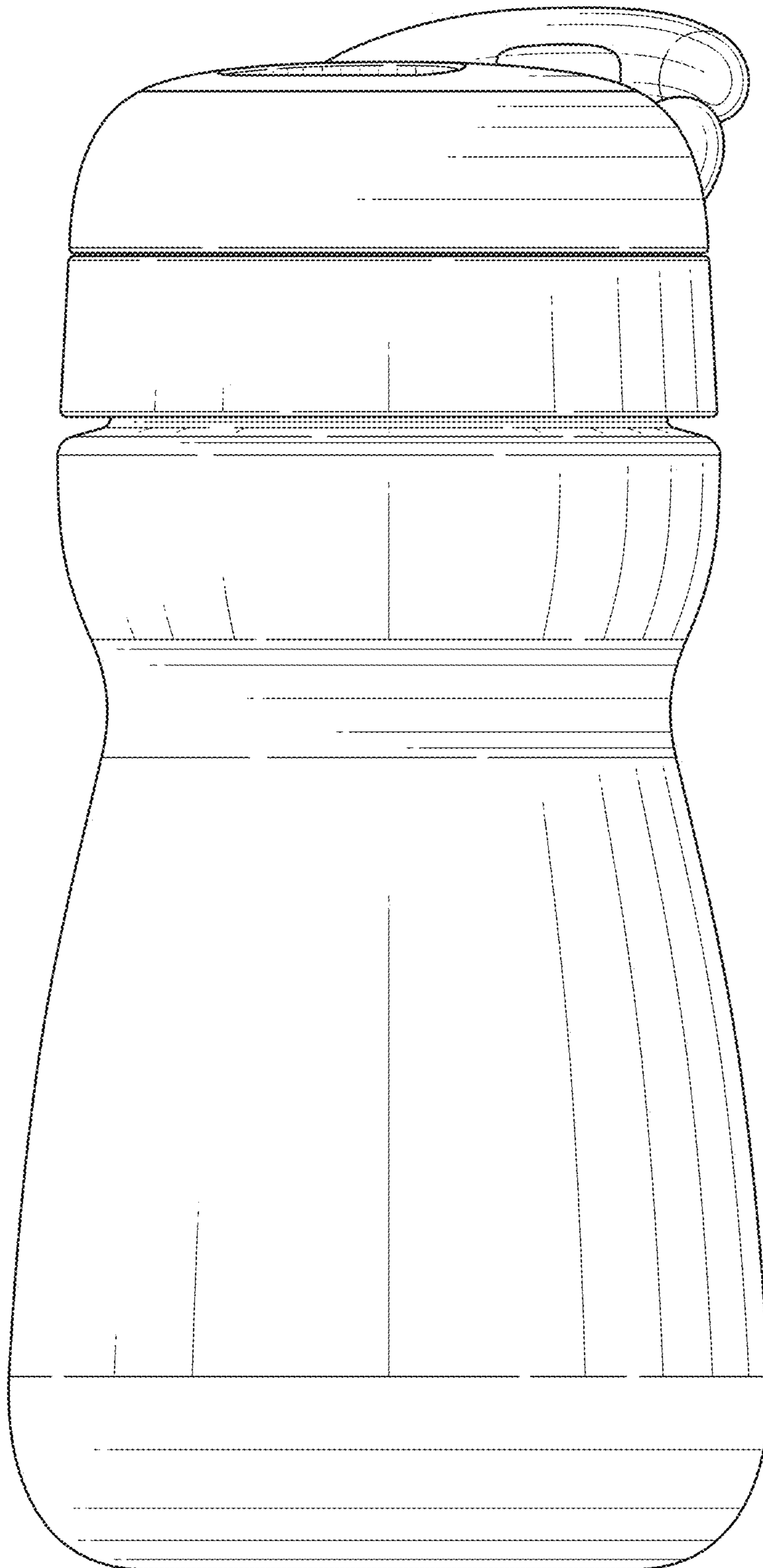


FIG. 4

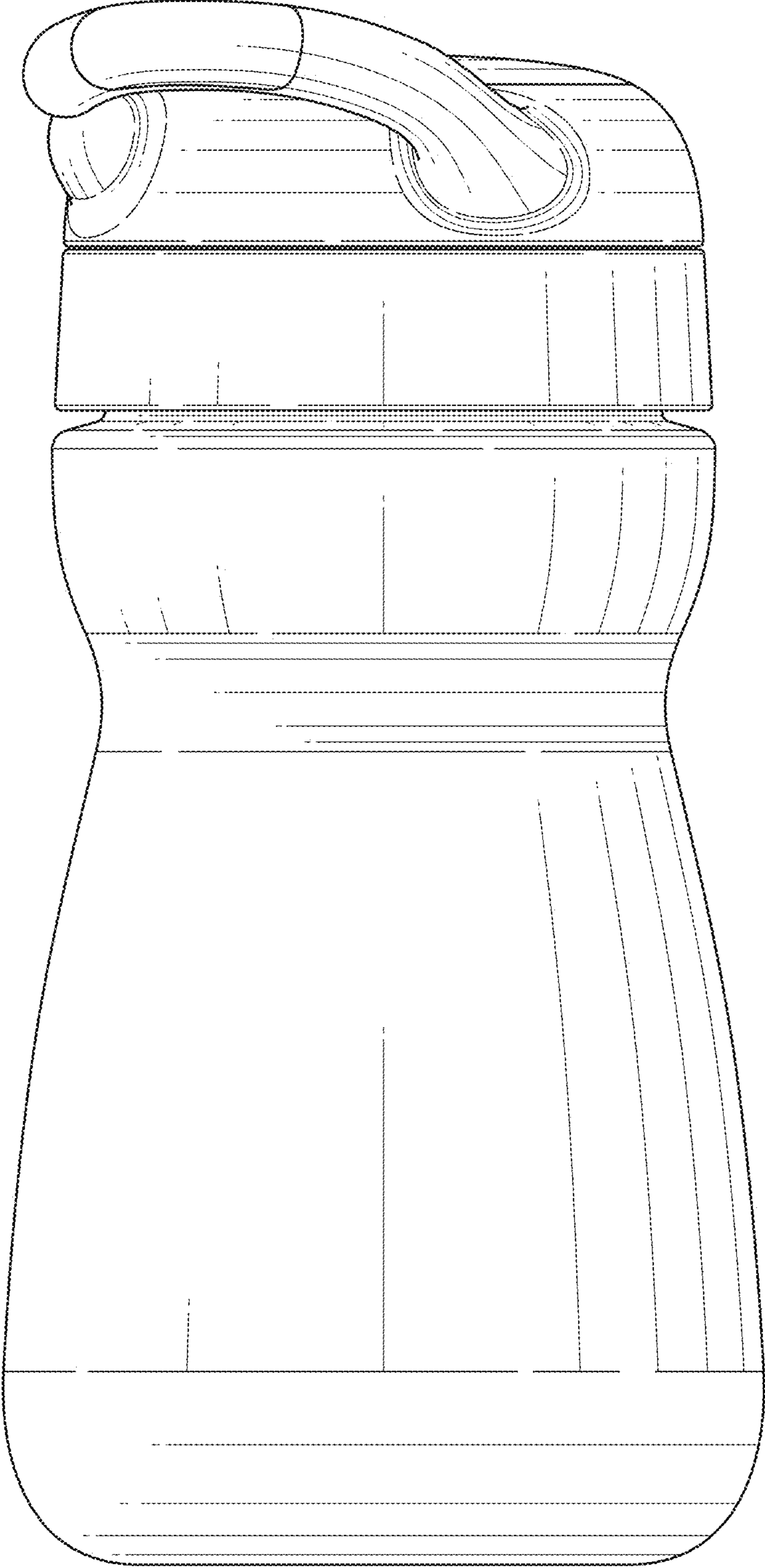


FIG. 5

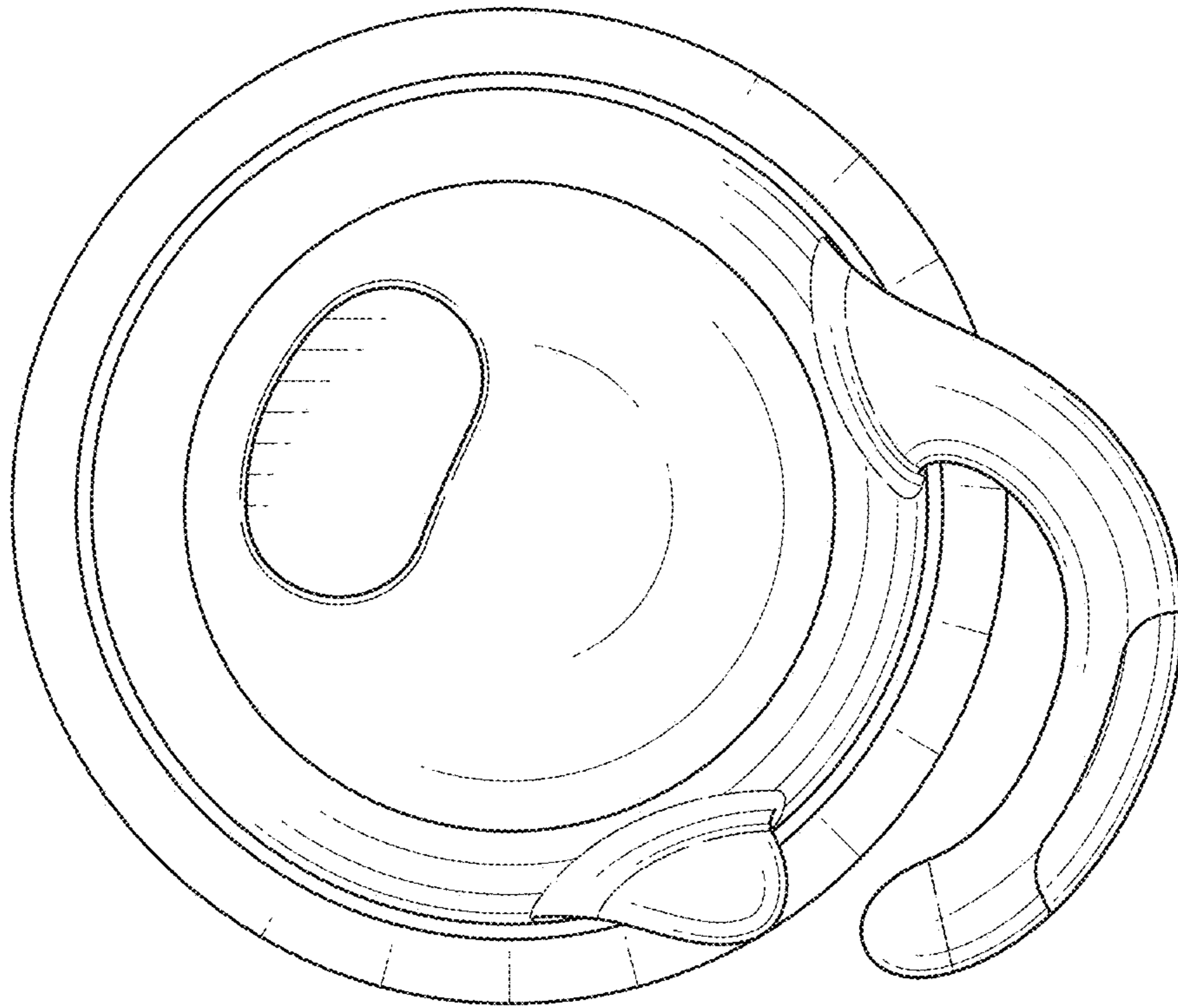


FIG. 6

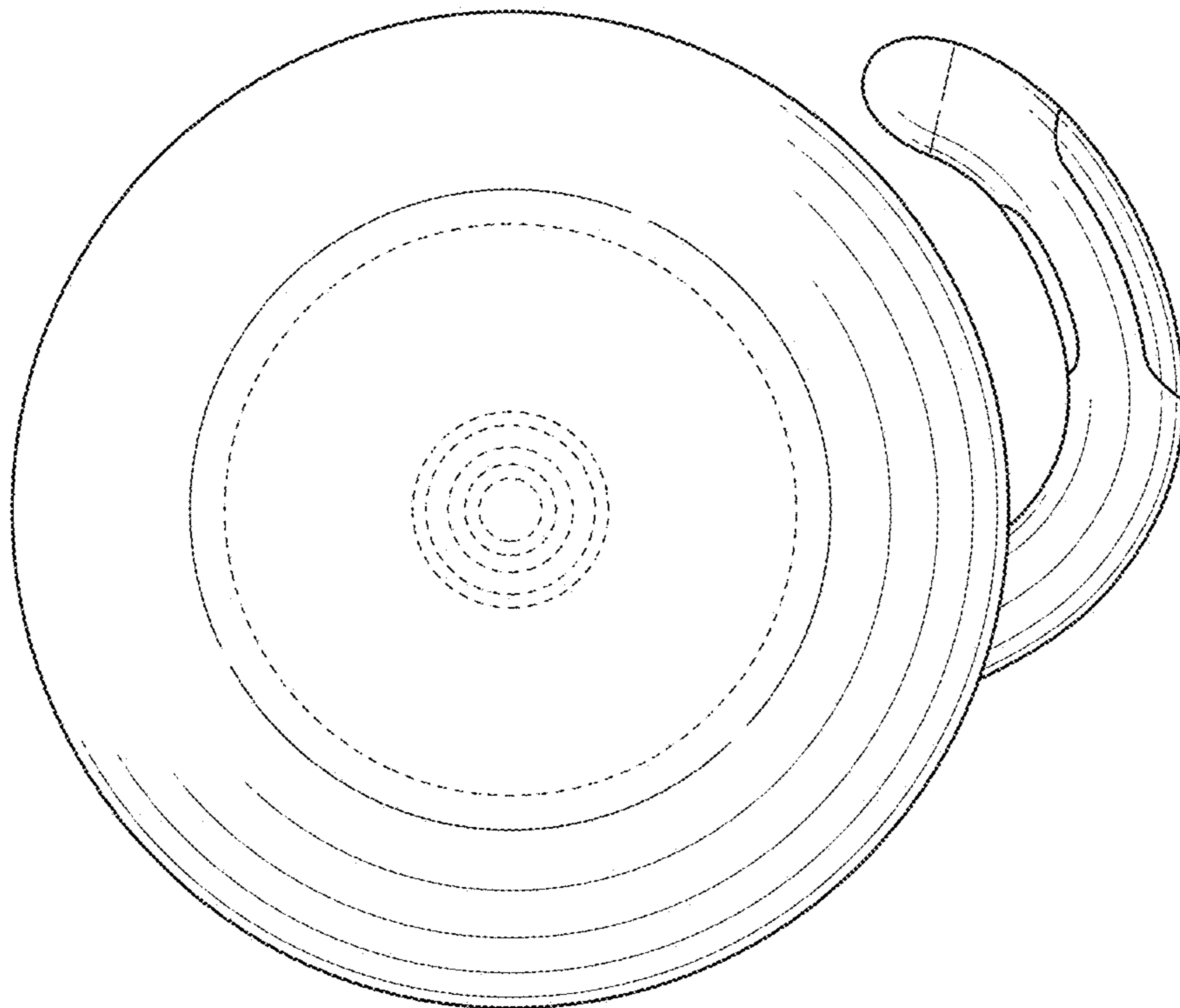


FIG. 7





FIG. 8

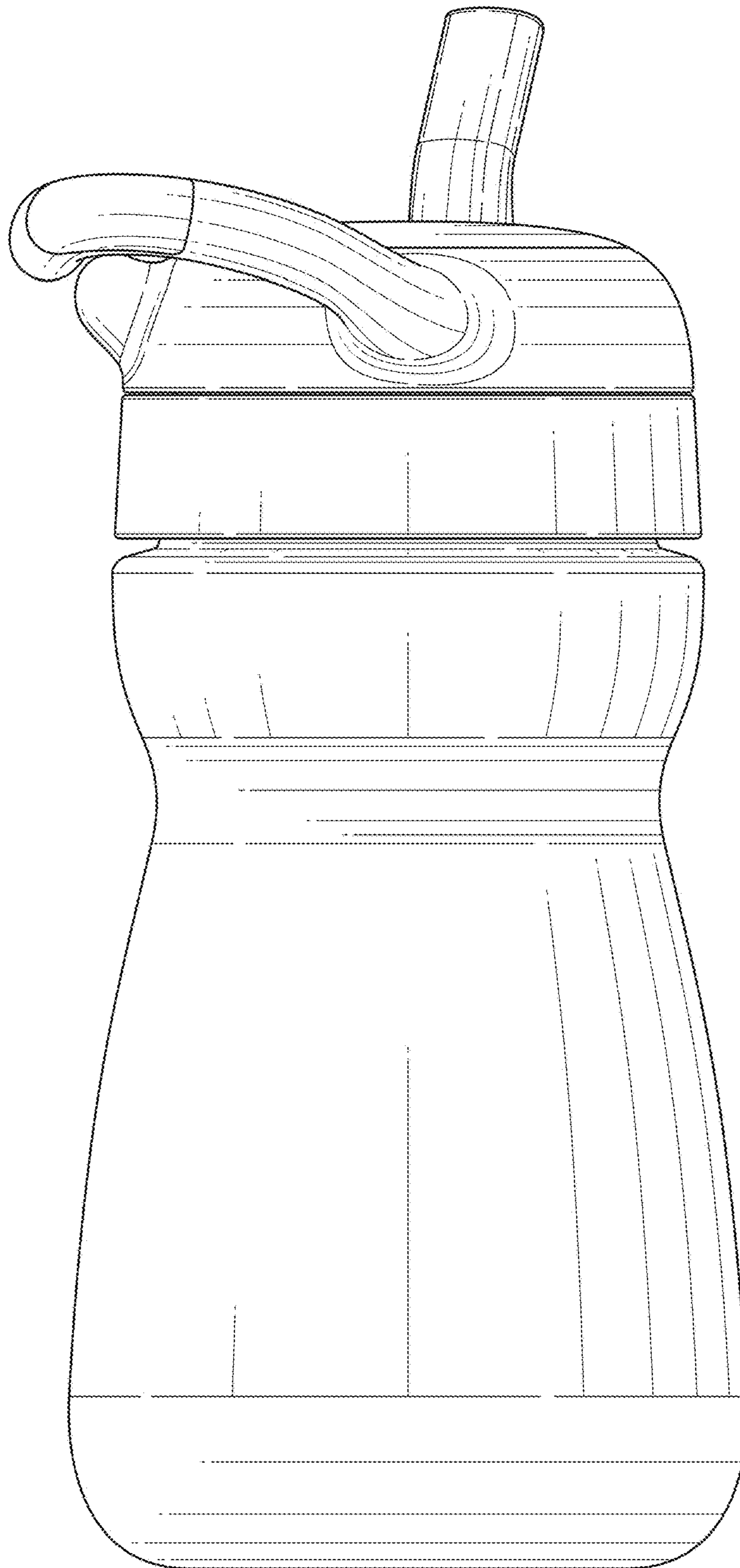


FIG. 9

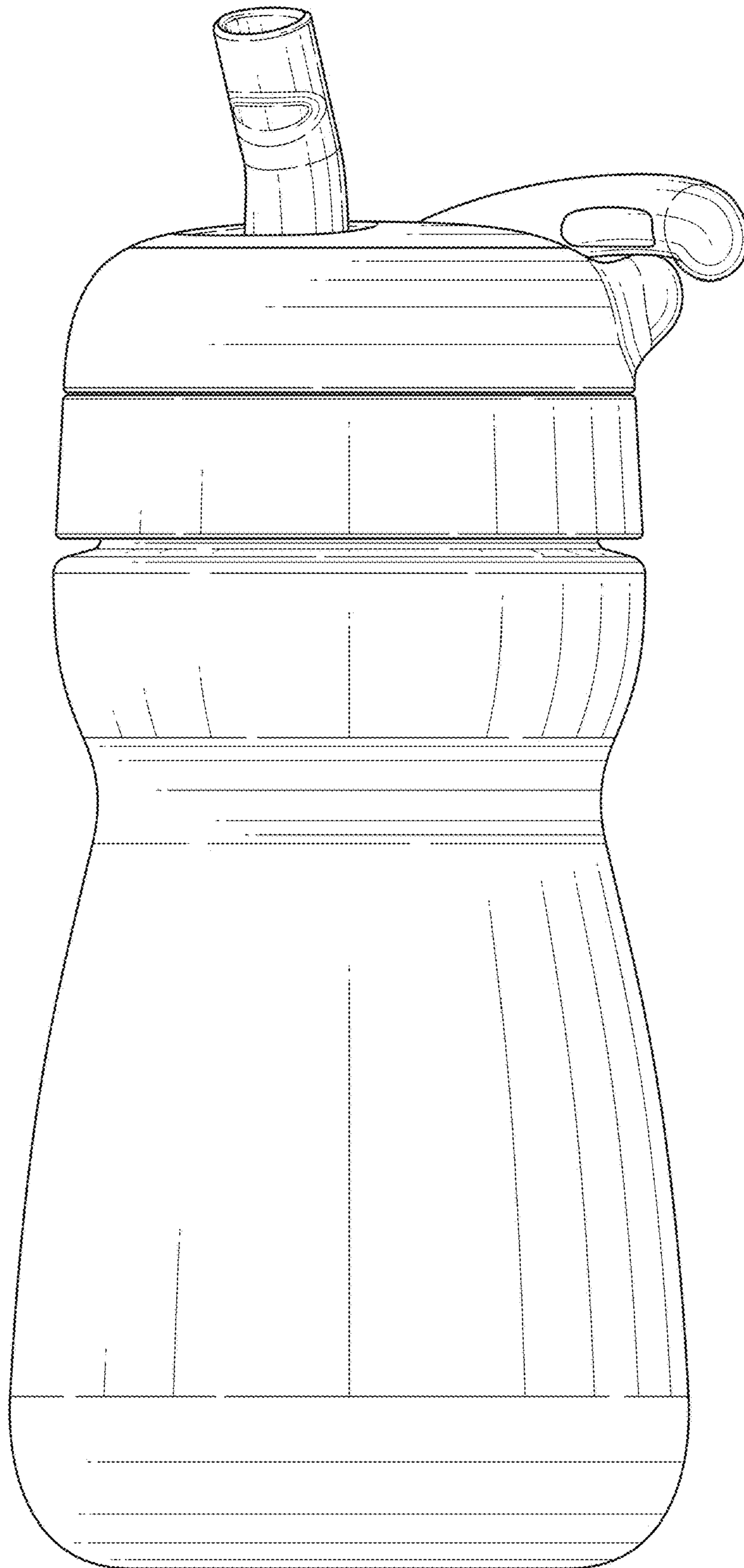


FIG. 10

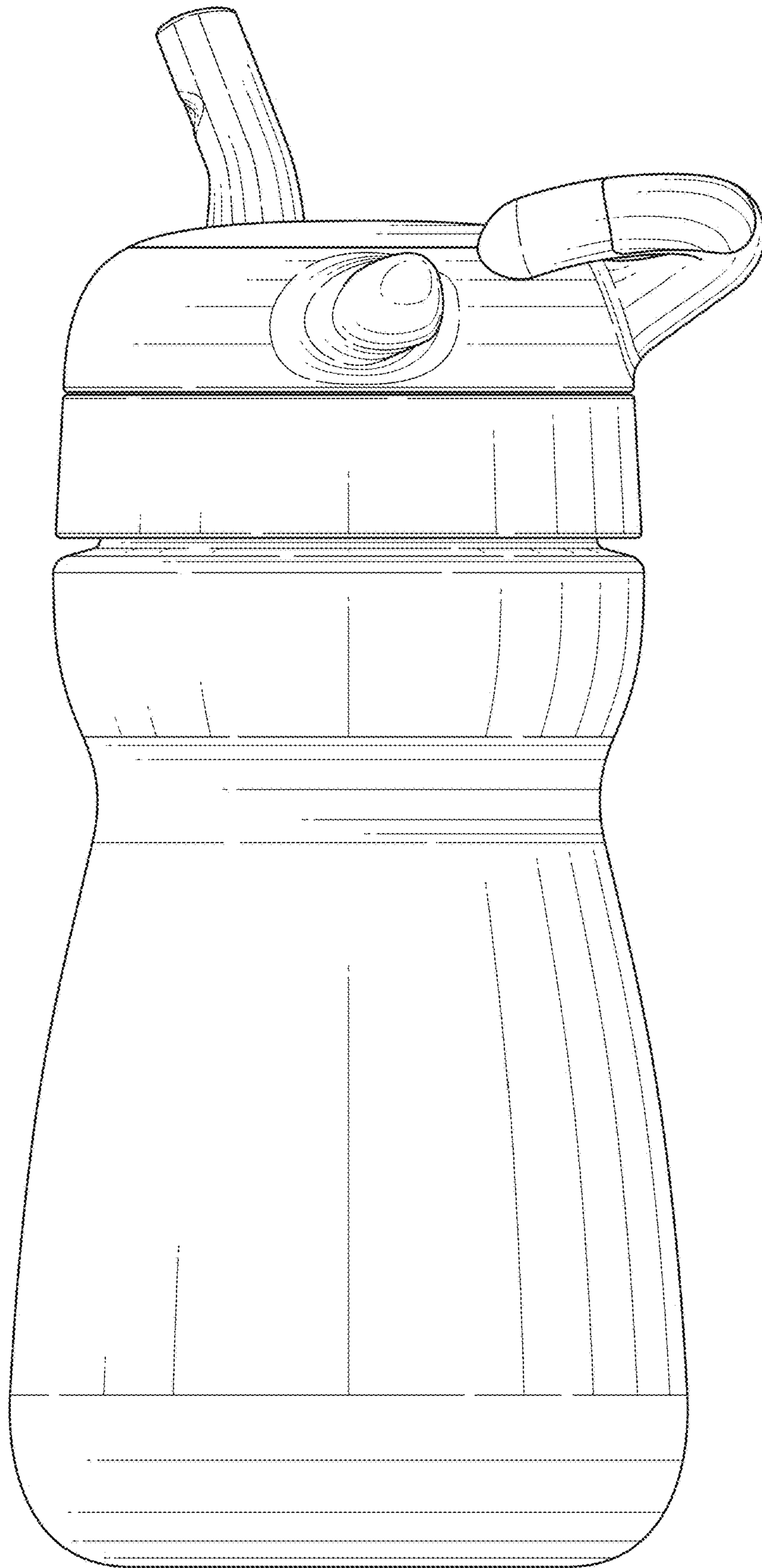


FIG.11

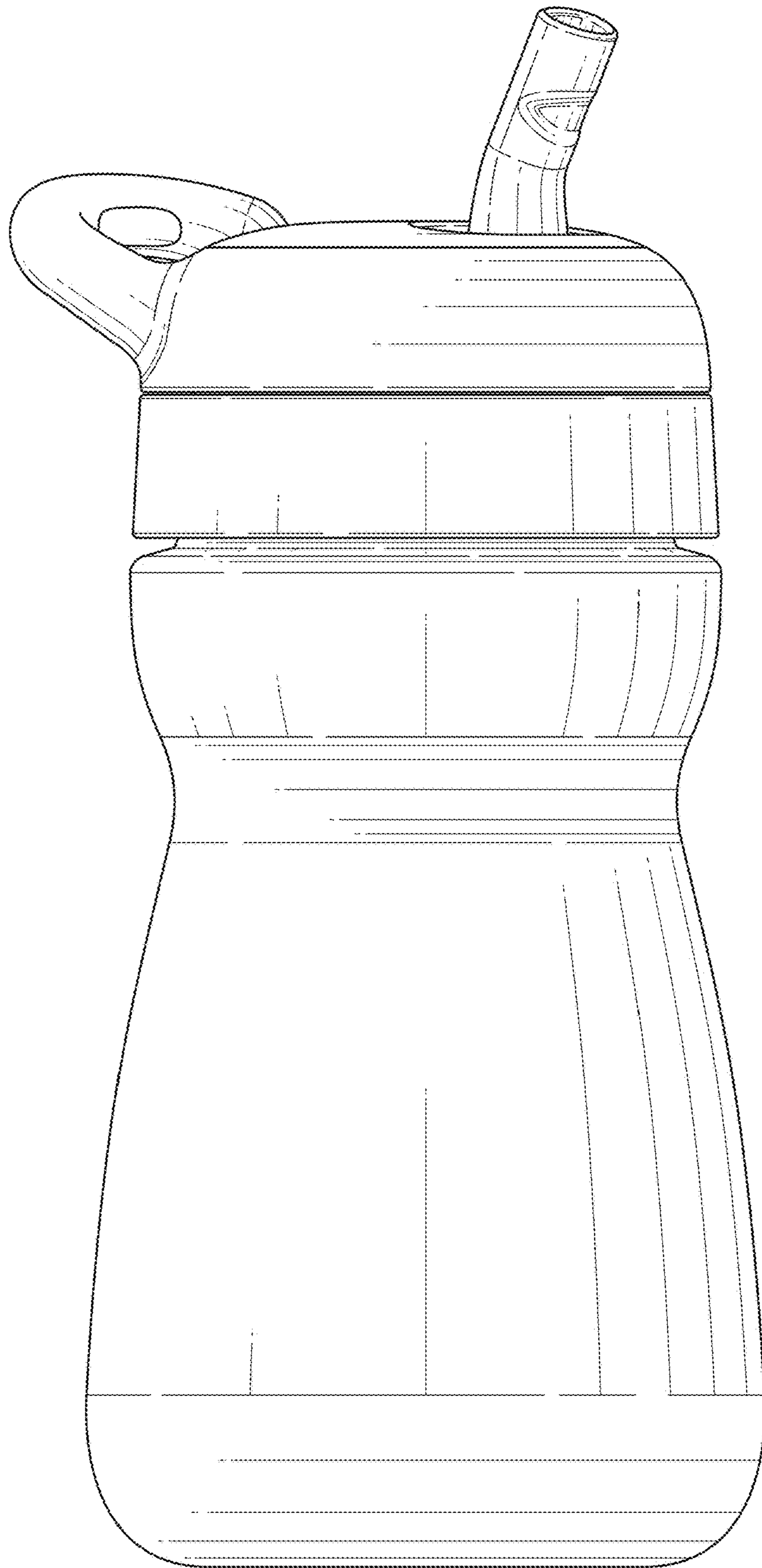


FIG. 12

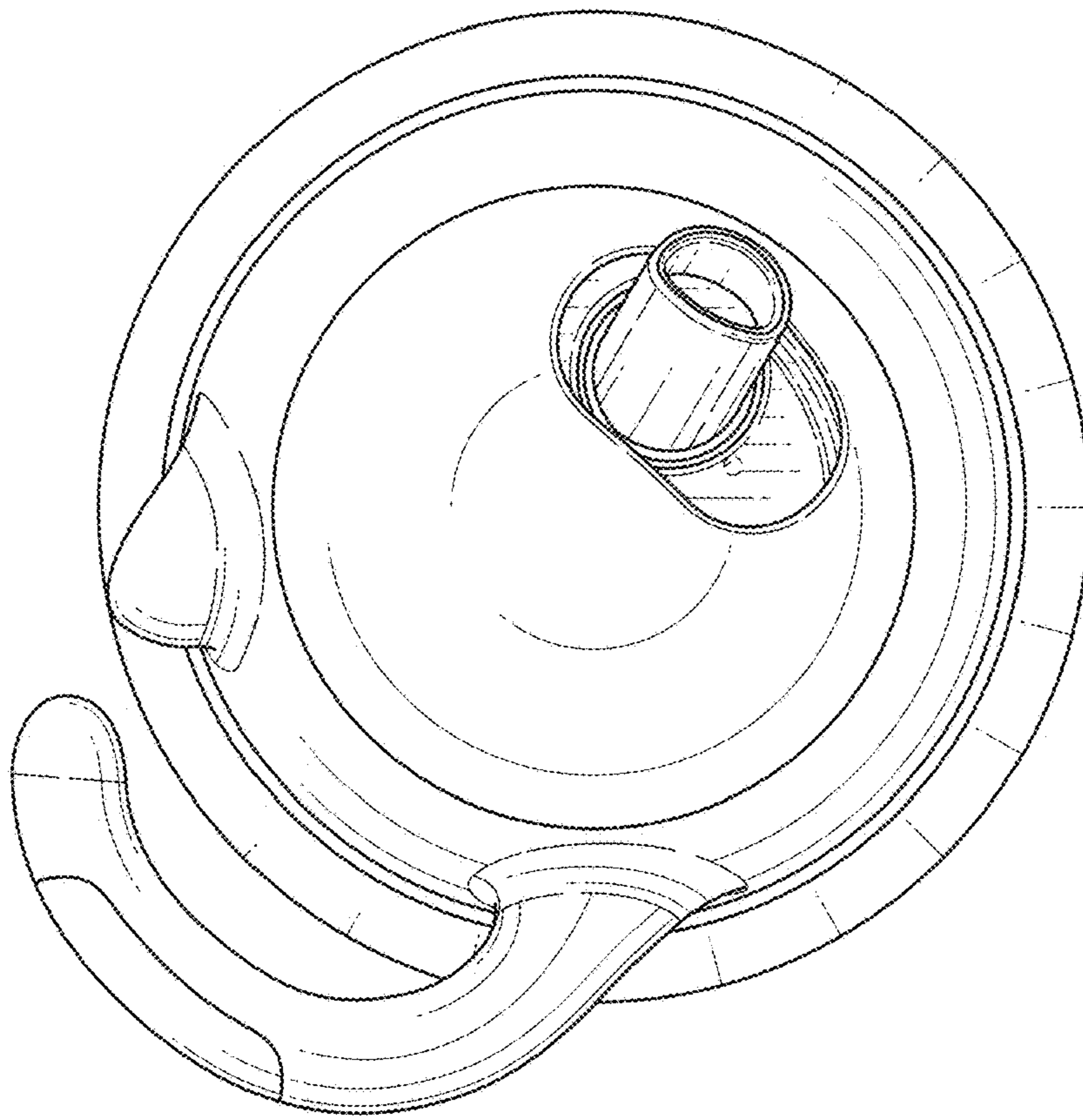


FIG. 13

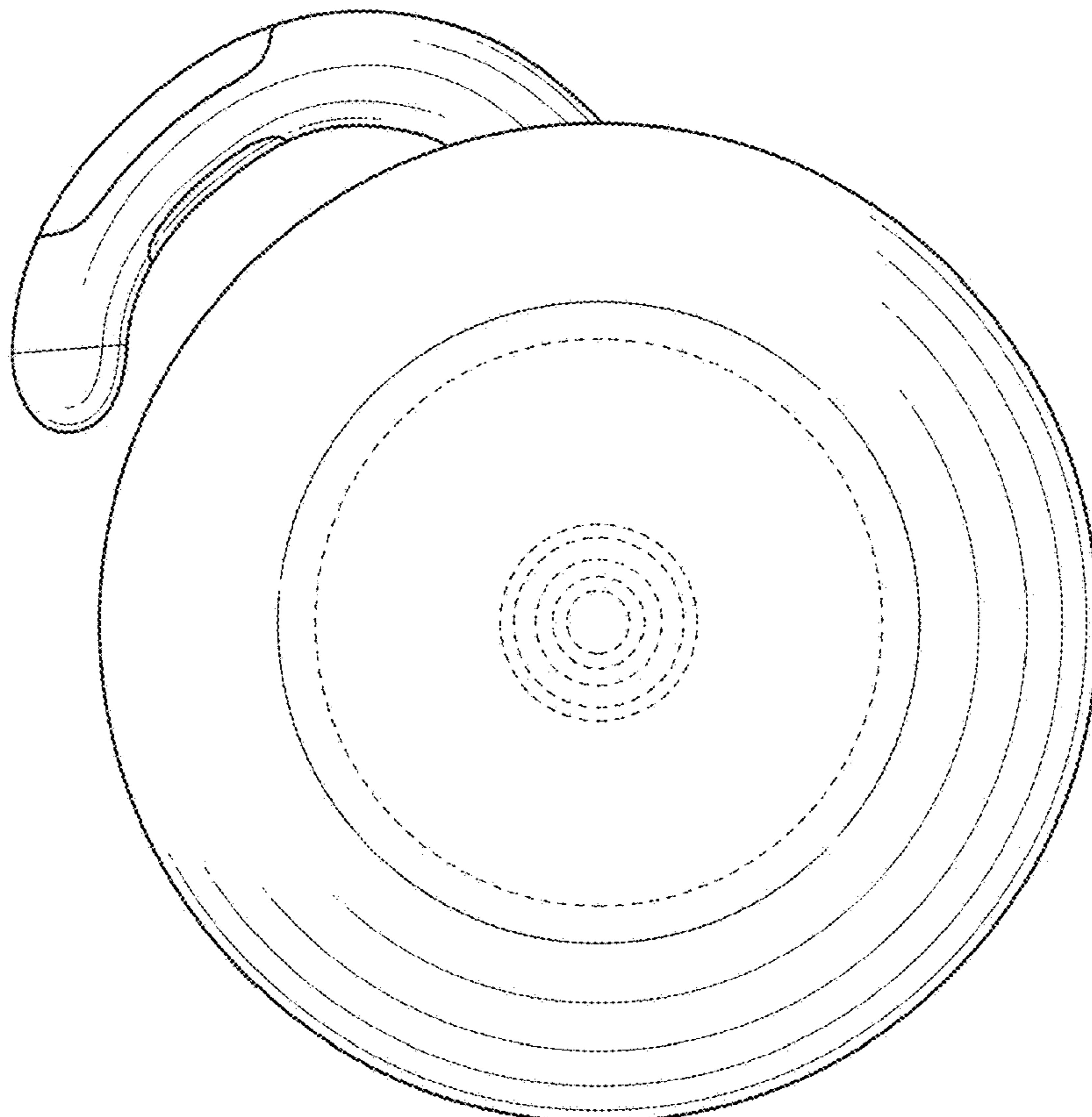


FIG. 14