



US00D913040S

(12) **United States Design Patent**
Corless et al.

(10) **Patent No.:** **US D913,040 S**
(45) **Date of Patent:** **** Mar. 16, 2021**

(54) **PAN ORGANIZER**

(71) Applicant: **Hardware Resources, Inc.**, Bossier City, LA (US)
(72) Inventors: **Justin Corless**, Flower Mound, TX (US); **Marisa Sanchez**, Shreveport, LA (US); **Jay Pannebaker**, Shreveport, LA (US)
(73) Assignee: **HARDWARE RESOURCES, INC.**, Bossier City, LA (US)

(**) Term: **15 Years**

(21) Appl. No.: **29/665,058**

(22) Filed: **Sep. 29, 2018**

(51) **LOC (13) Cl.** **07-02**

(52) **U.S. Cl.**
USPC **D7/409**

(58) **Field of Classification Search**
USPC D3/304, 310, 315, 318; D6/705.6; D7/323, 332, 335-337, 354-355, D7/359-364, 387-388, 402, 407-409; D34/23, 27
CPC A21B 2/00; A21B 3/00; A21B 3/13; A21B 3/15; A21B 5/00; A21B 5/02; A23N 12/06; A23N 12/08; A23N 12/10; A47B 31/02; A47B 88/00; A47B 88/40; A47B 88/477; A47B 88/483; A47B 88/956; A47J 37/00; A47J 37/04; A47J 37/041; A47J 37/042; A47J 37/06; A47J 37/0688; A47J 37/0694; A47J 37/07; A47J 37/0704; A47J 37/10; A47J 38/02; A47J 47/20; A47J 2037/00; A47J 2037/06; A47J 2037/0611; A47J 2037/07; A47J 2037/0786; A47J 2037/0795; B25H 3/00; B25H 3/10; B25H 5/00; B65B 67/12; B65D 21/062; F24C 15/10; F24C 15/12; F24C 15/14; F24C 15/16; F24C 15/18; F24C 15/164

See application file for complete search history.

(56) **References Cited**

U.S. PATENT DOCUMENTS

3,349,942 A * 10/1967 Hitz B65D 21/062
220/494
4,723,743 A * 2/1988 Jenkins B65B 67/12
220/486
7,810,890 B2 * 10/2010 Klein A47B 88/483
312/334.33
D654,292 S * 2/2012 Snider D6/705.6
10,499,736 B2 * 12/2019 Chen A47B 88/956
10,533,791 B2 * 1/2020 Gatter A47B 88/477

(Continued)

Primary Examiner — Ricky Pham

(74) *Attorney, Agent, or Firm* — Schultz & Associates, P.C.

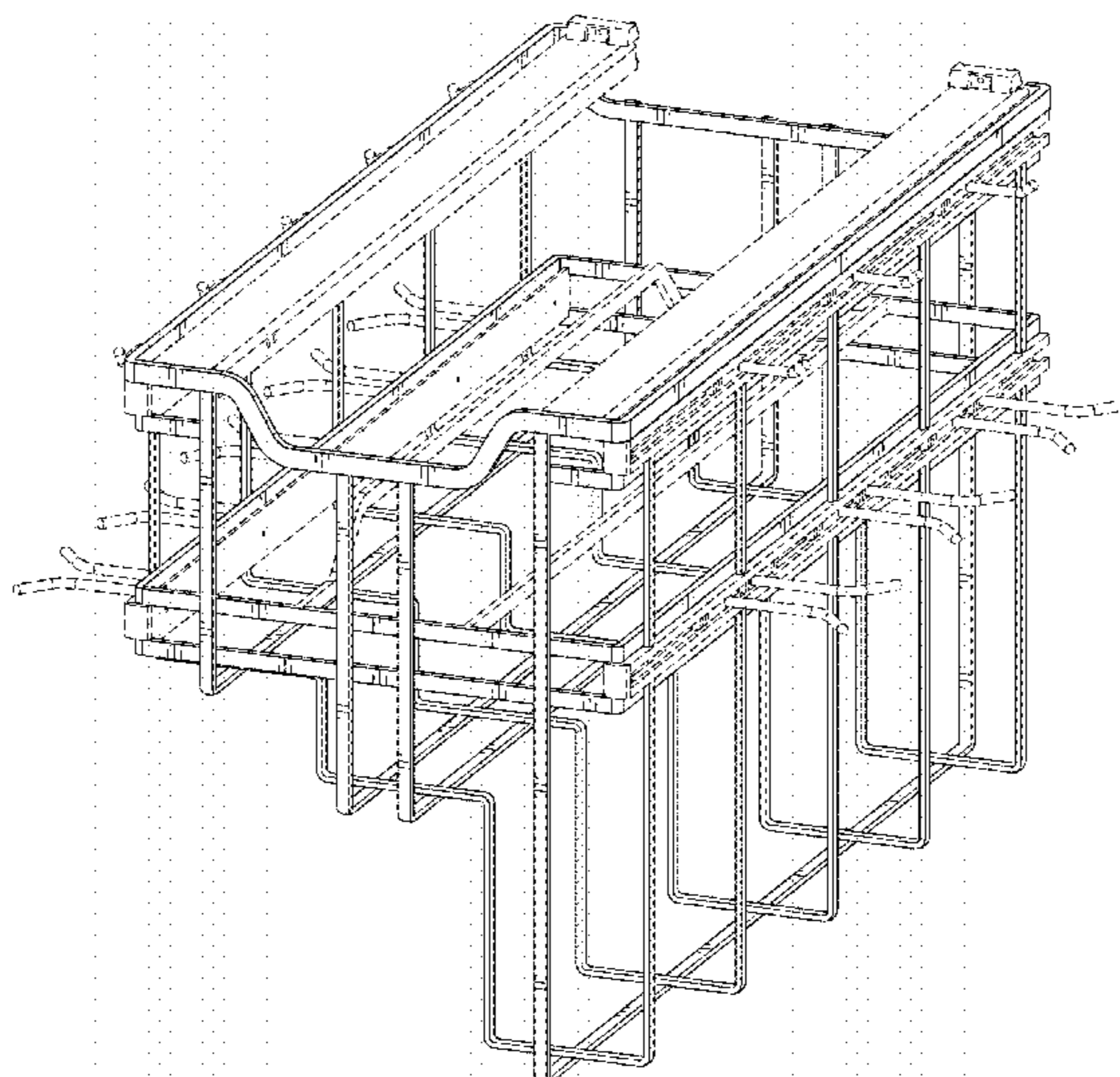
(57) **CLAIM**

The ornamental design for a pan organizer, as shown and described.

DESCRIPTION

FIG. 1 is a perspective view of a Pan Organizer shown independent of environment for ease of disclosure only; FIG. 2 is a front elevation view thereof, shown independent of environment for ease of disclosure only; FIG. 3 is a rear elevation view thereof, shown independent of environment for ease of disclosure only; FIG. 4 is right side elevation view thereof, shown independent of environment for ease of disclosure only; and, FIG. 5 is a left side elevation view thereof, shown independent of environment for ease of disclosure only; FIG. 6 is a top plan view thereof, shown independent of environment for ease of disclosure only; and, FIG. 7 is a bottom plan view thereof, shown independent of environment for ease of disclosure only. The broken lines shown represent unclaimed boundary lines and form no part of the claimed design.

1 Claim, 7 Drawing Sheets



(56)

References Cited

U.S. PATENT DOCUMENTS

D888,432 S * 6/2020 Chen D3/318
2005/0001522 A1* 1/2005 Yang A47B 88/40
312/330.1
2007/0182293 A1* 8/2007 Compagnucci A47B 88/956
312/334.4

* cited by examiner

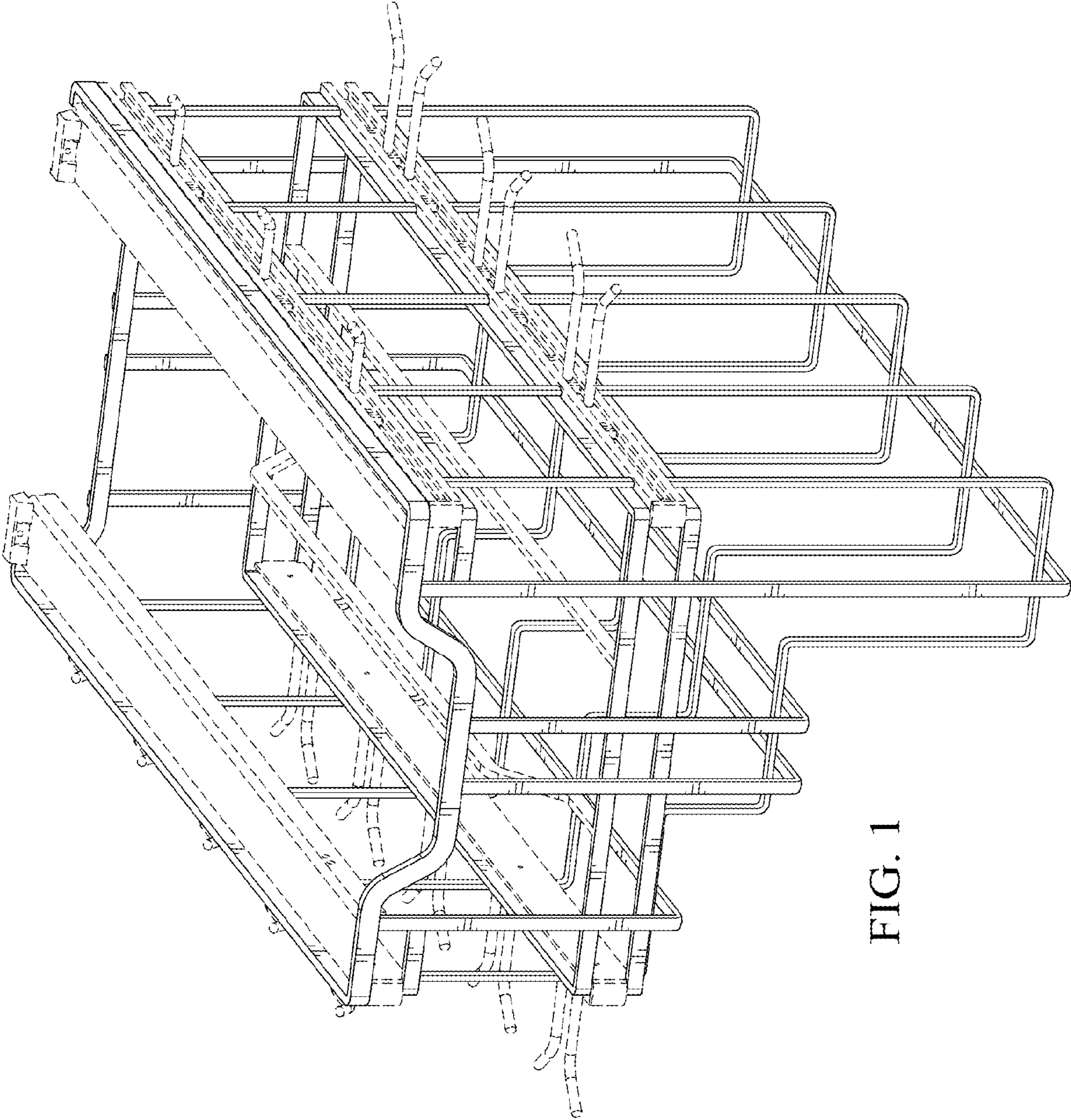


FIG. 1

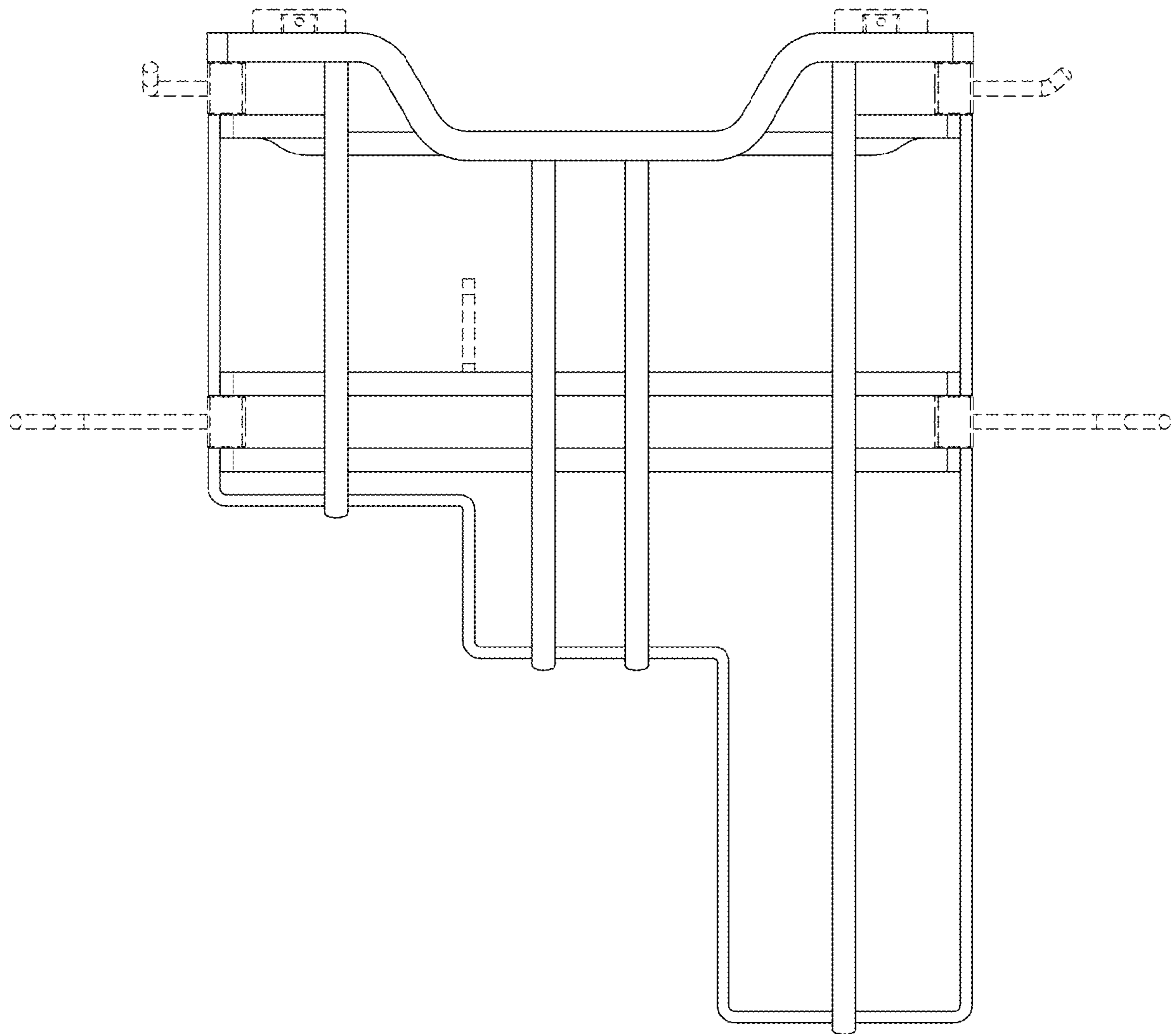


FIG. 2

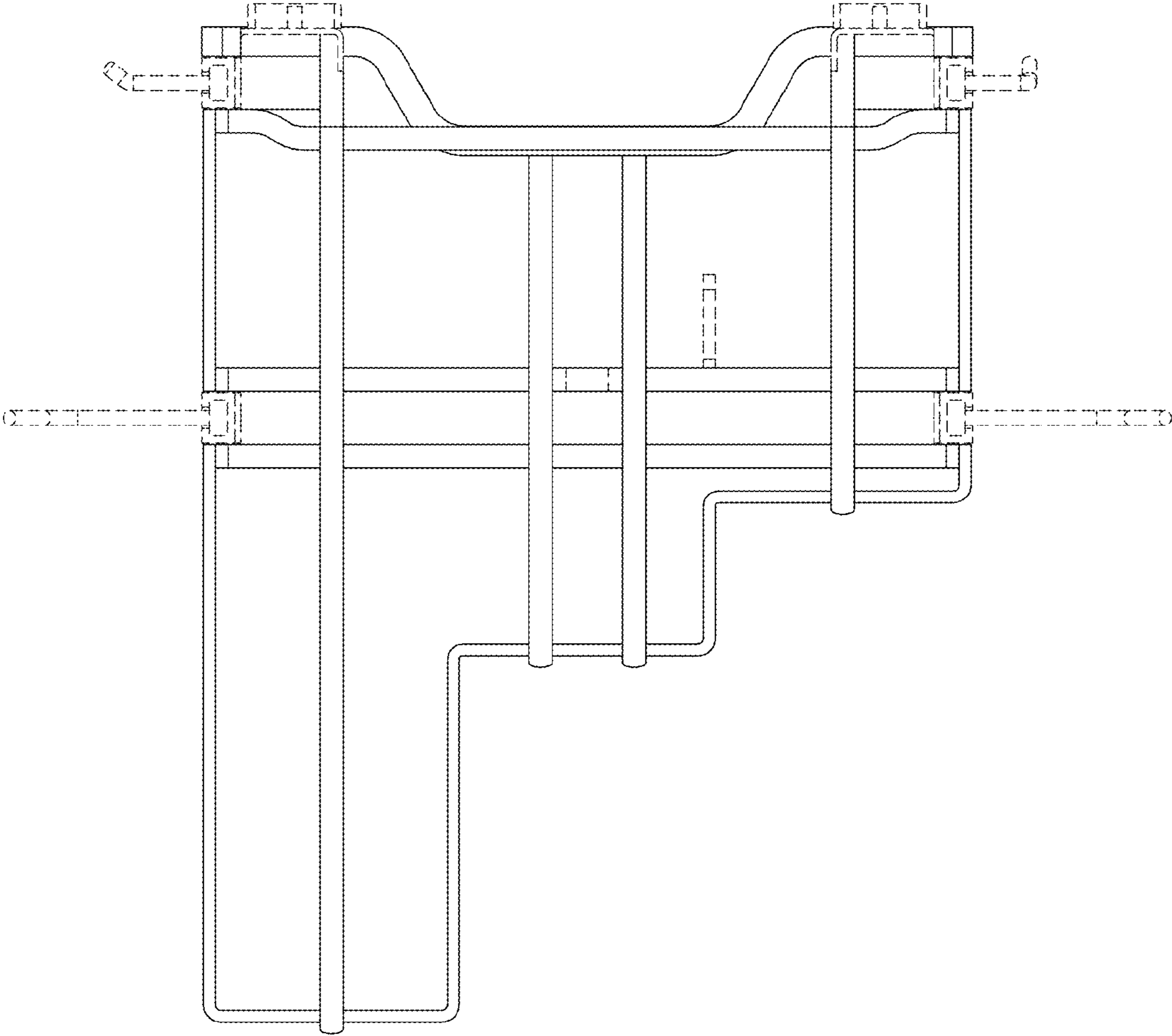


FIG. 3

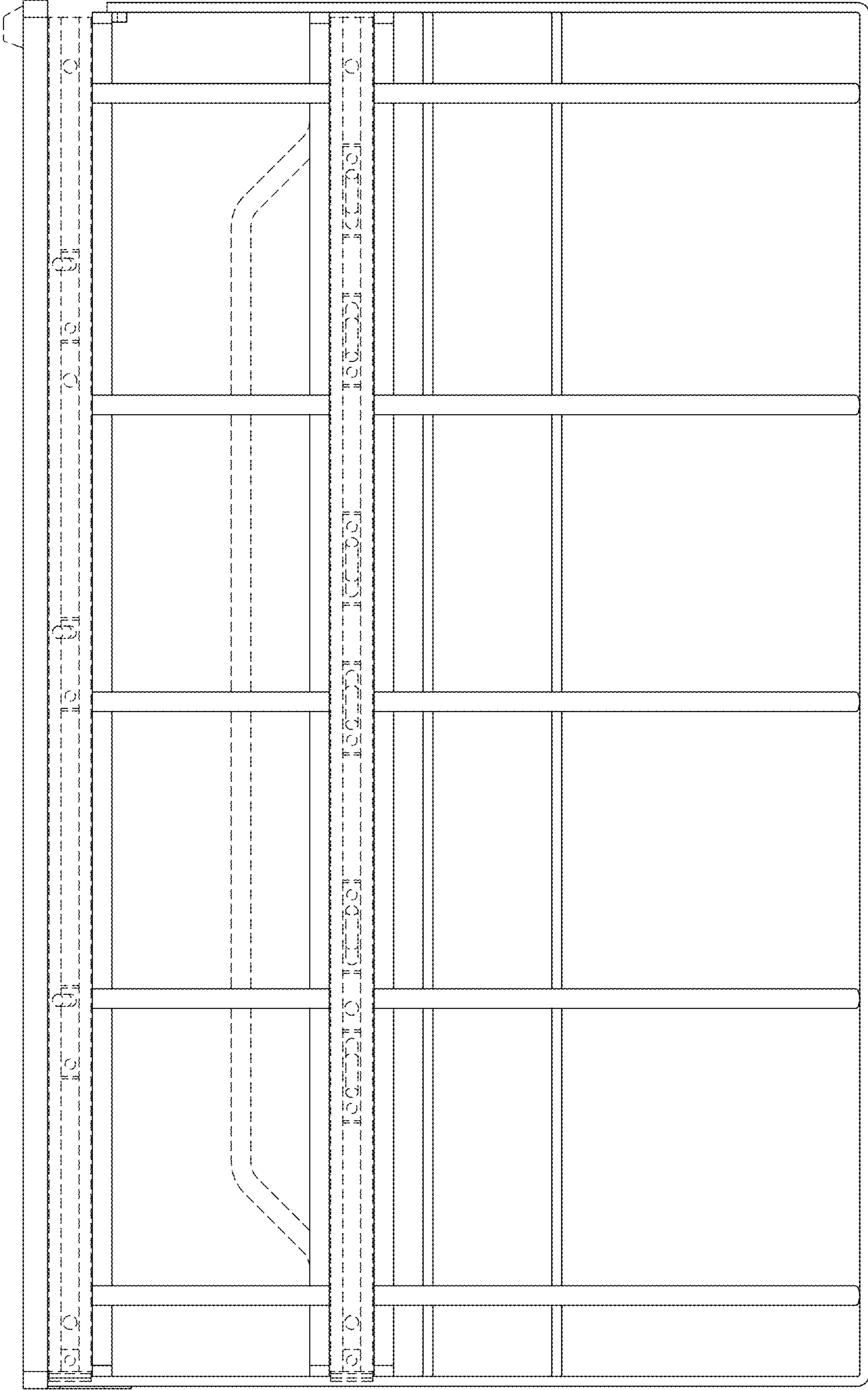


FIG. 4

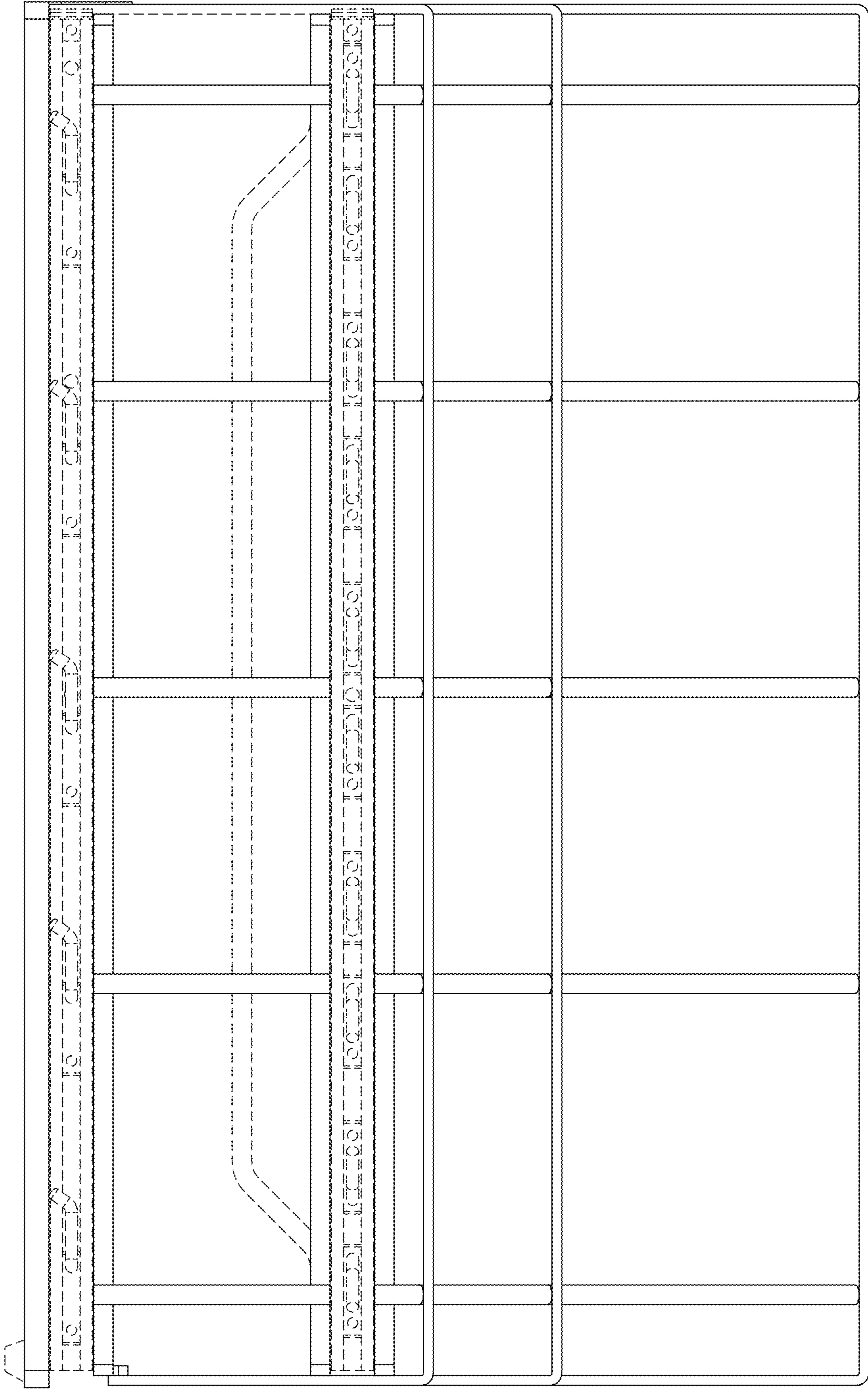


FIG. 5

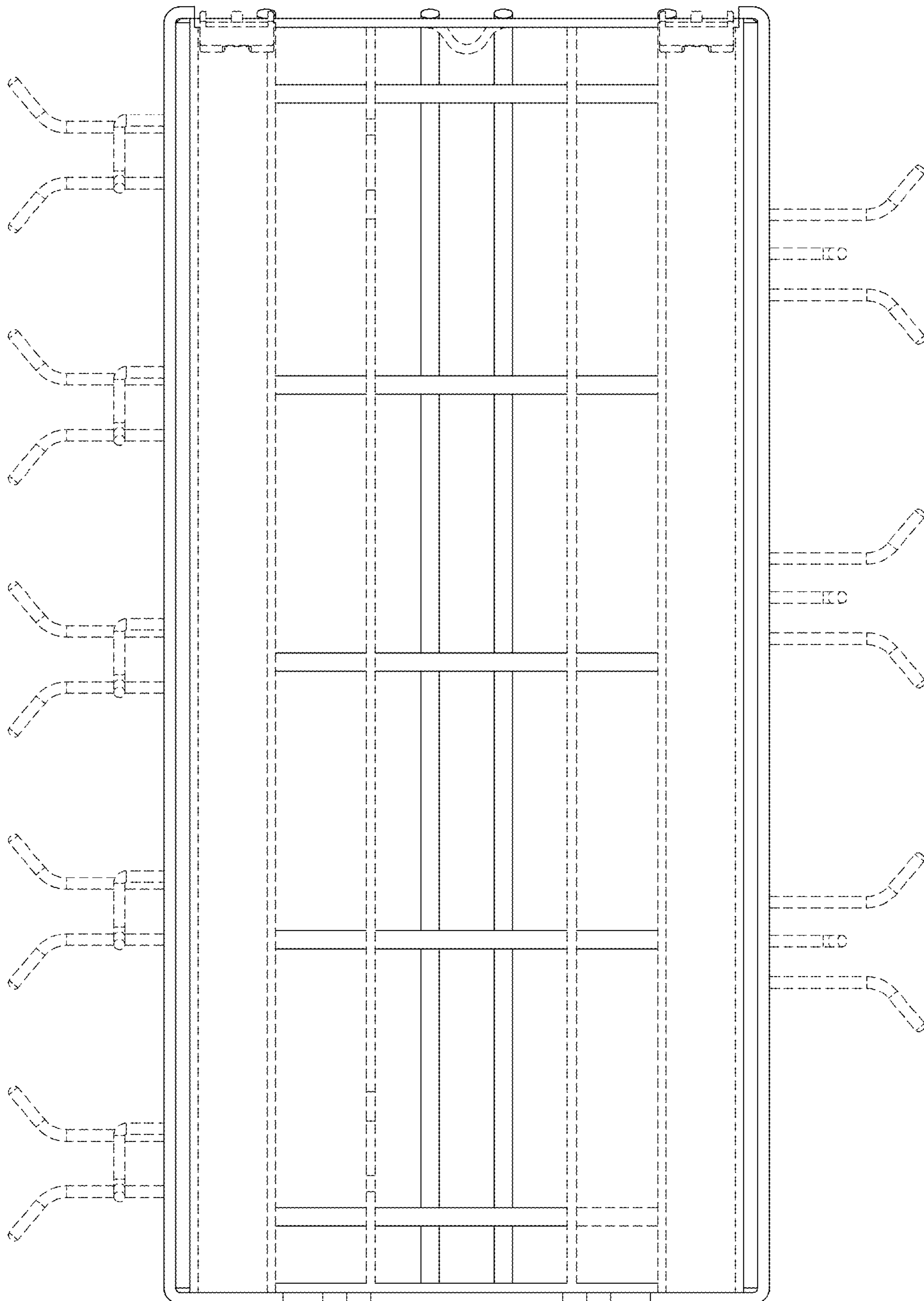


FIG. 6

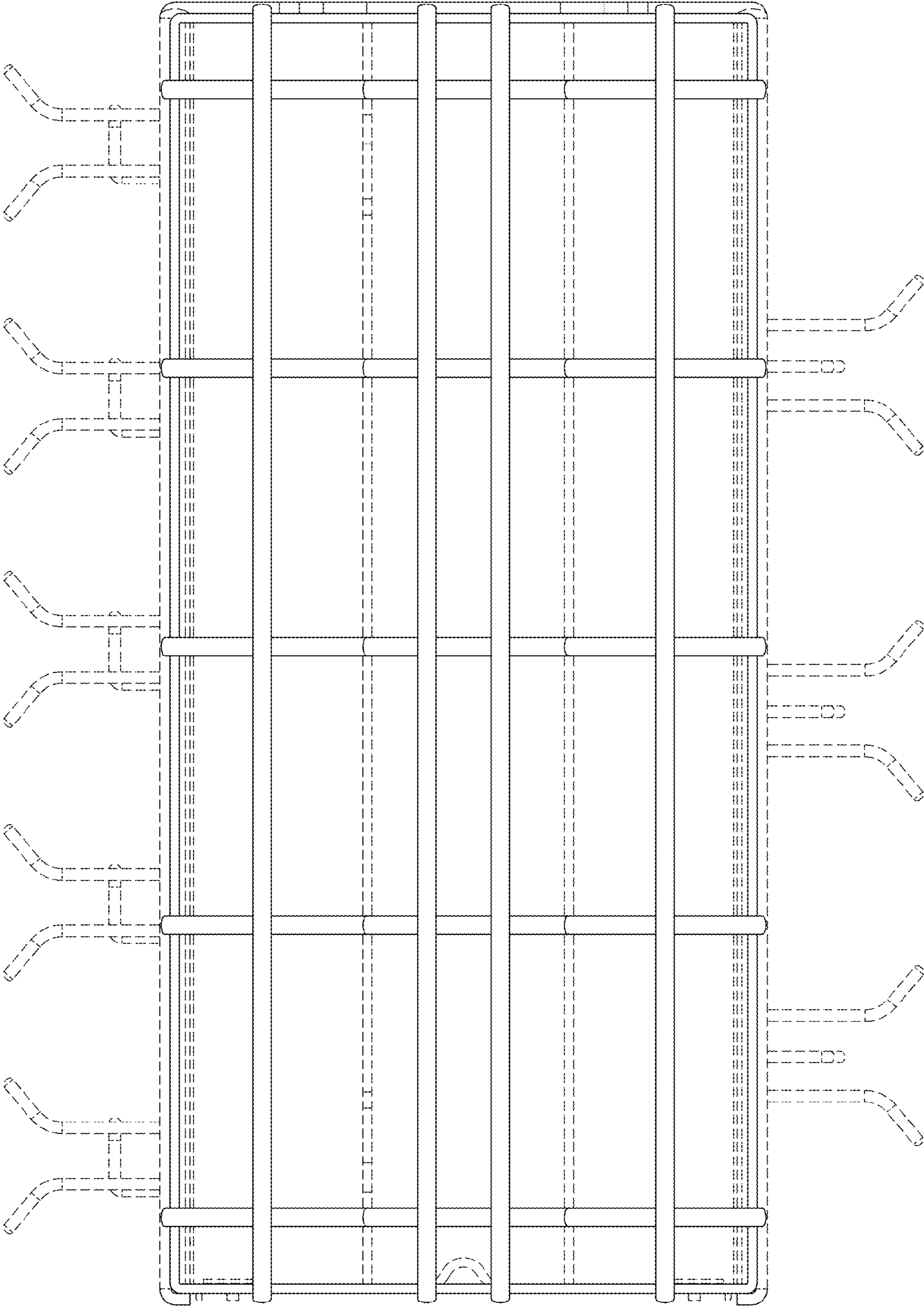


FIG. 7