



US00D913038S

(12) **United States Design Patent**
Truong et al.

(10) **Patent No.:** **US D913,038 S**

(45) **Date of Patent:** **** Mar. 16, 2021**

(54) **COOKWARE LID HANDLE**
(71) Applicant: **Meyer Intellectual Properties Ltd.,**
Kowloon (HK)
(72) Inventors: **Jacquelyn Maitram Truong,** Hong
Kong (CN); **Kwong Wah Lee,** Hong
Kong (CN)
(73) Assignee: **MEYER INTELLECTUAL**
PROPERTIES LIMITED, Hong Kong
(CN)

D402,875 S * 12/1998 Bethea D8/322
D451,339 S * 12/2001 Munari D7/393
7,114,625 B2 * 10/2006 Jones B65D 41/17
215/318
D560,964 S * 2/2008 Hoff D7/393
D687,672 S * 8/2013 Rae D7/393
D728,993 S * 5/2015 Barberi D7/393
D733,492 S * 7/2015 Barberi D7/393
D733,493 S * 7/2015 Barberi D7/393
D845,126 S * 4/2019 Prozumenshchikov D9/439

* cited by examiner

Primary Examiner — Susan E Krakower

Assistant Examiner — Andrew Kerr

(74) *Attorney, Agent, or Firm* — Edward S. Sherman

(**) Term: **15 Years**

(21) Appl. No.: **29/662,303**

(22) Filed: **Sep. 4, 2018**

(51) **LOC (13) Cl.** **07-99**

(52) **U.S. Cl.**
USPC **D7/393**

(58) **Field of Classification Search**
USPC D7/354-358, 361, 387, 393, 402, 405,
D7/406; D8/94, 107, 300, 307, 310, 311,
D8/321; D9/435, 439; D13/171, 174
CPC A47J 45/00; A47J 45/06; A47J 45/063;
A47J 45/07; A47J 45/074
See application file for complete search history.

(56) **References Cited**

U.S. PATENT DOCUMENTS

D365,497 S * 12/1995 Gebhardt D7/393
5,584,414 A * 12/1996 Neubeck A47J 36/06
16/431

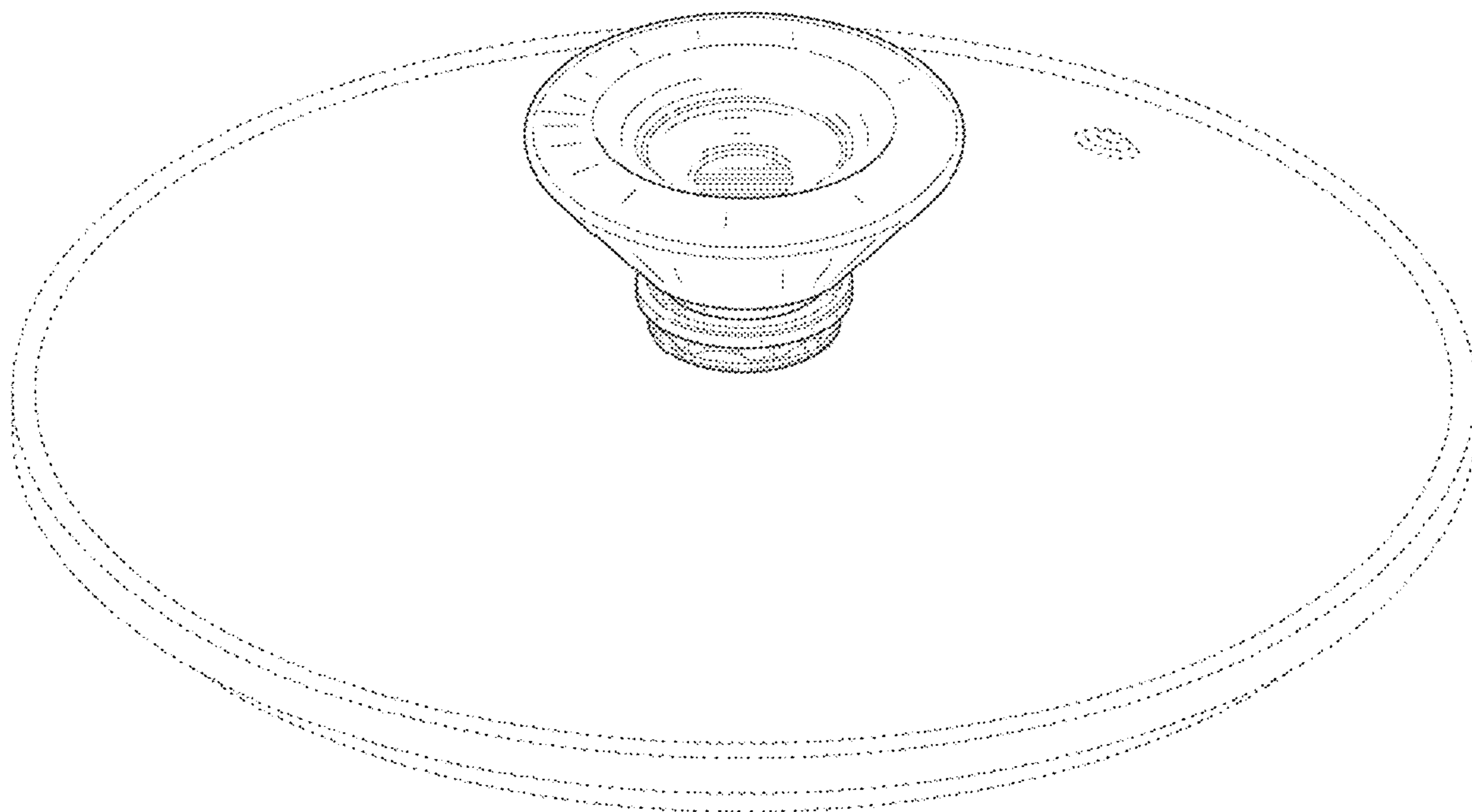
(57) **CLAIM**

The ornamental design for a cookware lid handle, as shown and described.

DESCRIPTION

FIG. 1 is a perspective view of a cookware lid handle, showing my new design;
FIG. 2 is a side elevational view thereof;
FIG. 3 is another side elevation view thereof;
FIG. 4 is a top plan view thereof; and,
FIG. 5 is a bottom plan view thereof.
The broken lines in the drawings depict portion of the cookware lid handle that form no part of the claimed design.

1 Claim, 4 Drawing Sheets



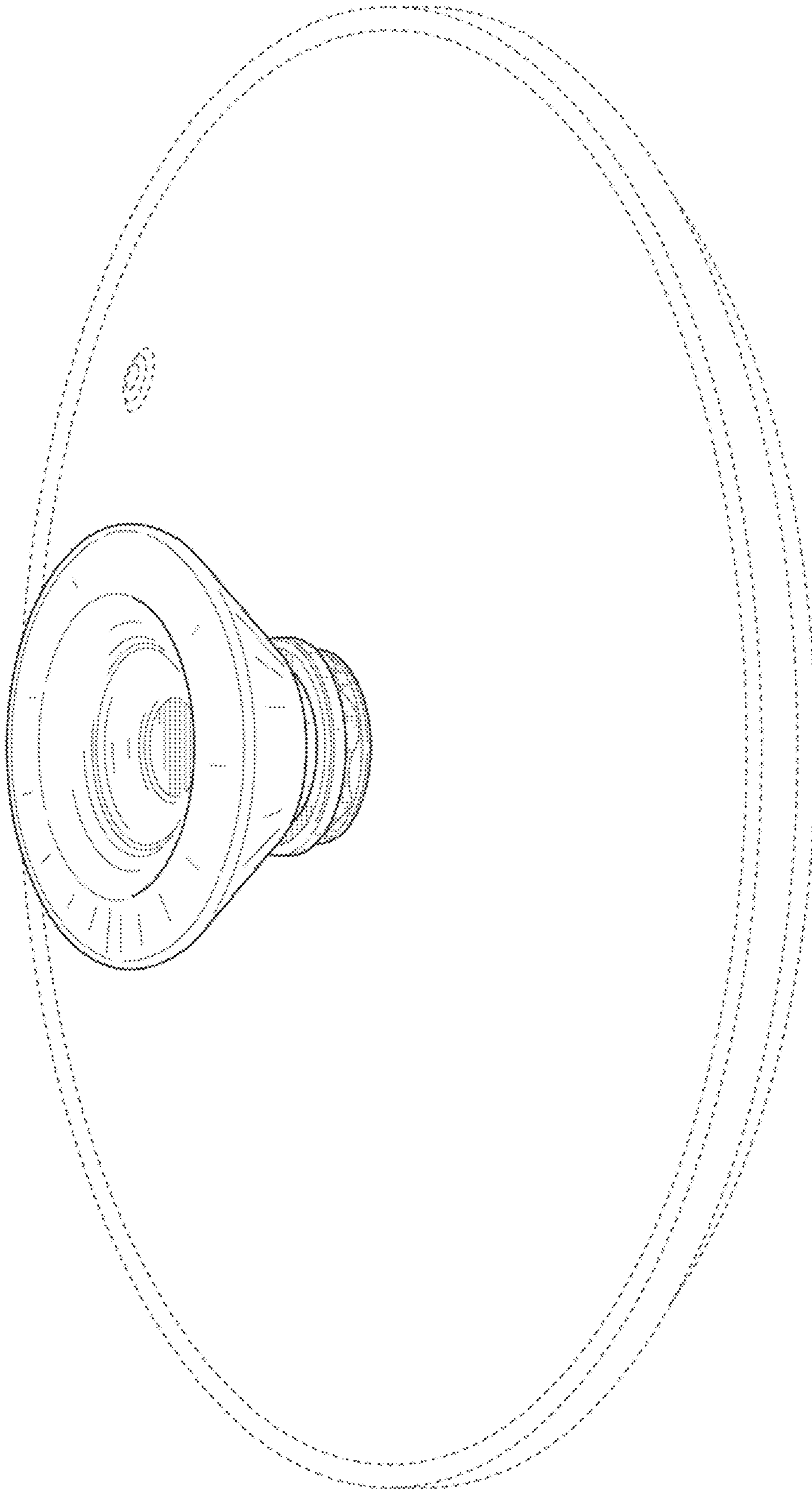


FIG. 1

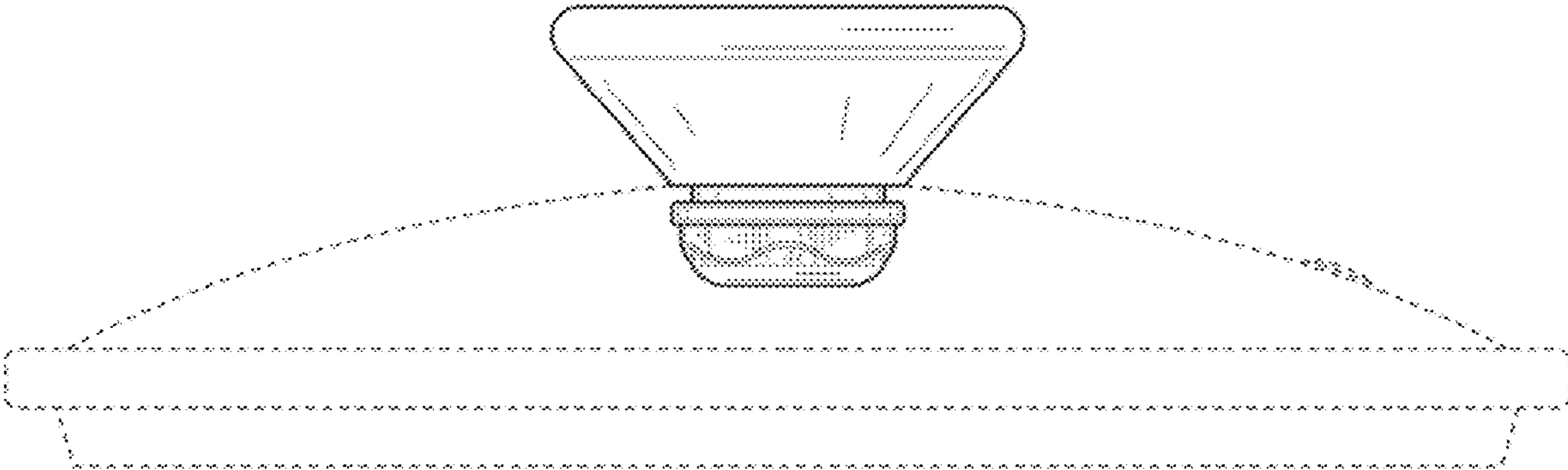


FIG. 2

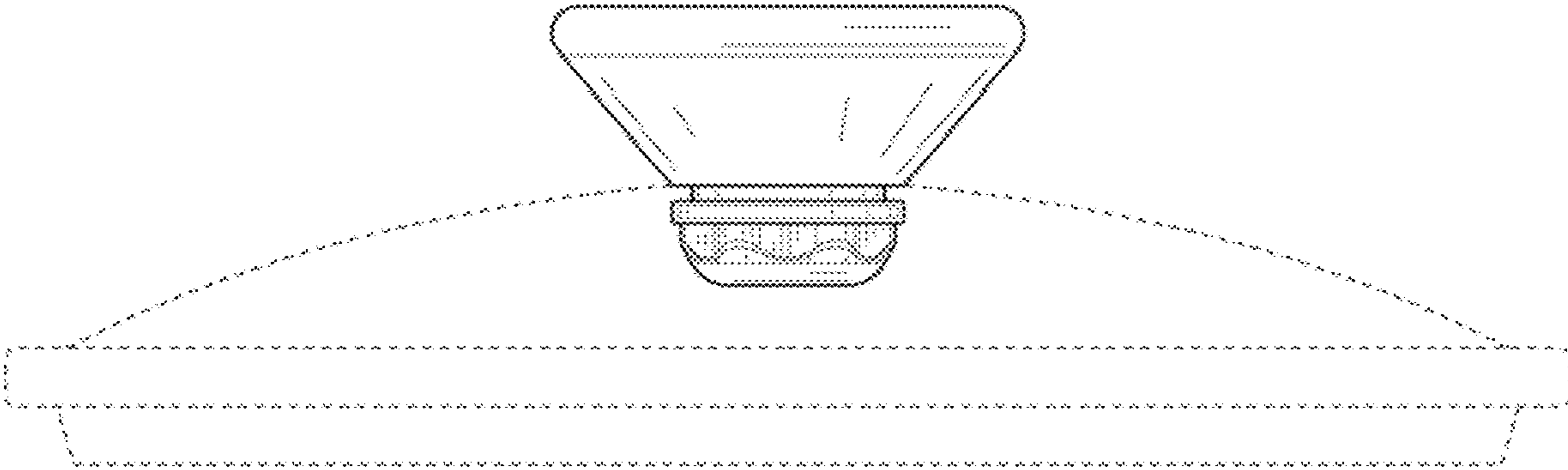


FIG. 3



FIG. 4



FIG. 5