



US00D913037S

(12) **United States Design Patent**  
**Jordan**

(10) **Patent No.:** **US D913,037 S**

(45) **Date of Patent:** **\*\* Mar. 16, 2021**

(54) **LID FOR BOWL**

(71) Applicant: **Rigwa Life, LLC**, Mount Pleasant, SC (US)

(72) Inventor: **Zachary W. Jordan**, Mount Pleasant, SC (US)

(73) Assignee: **Rigwa Life, LLC**, Mount Pleasant, SC (US)

(\*\*) Term: **15 Years**

(21) Appl. No.: **29/709,407**

(22) Filed: **Oct. 14, 2019**

(51) **LOC (13) Cl.** ..... **07-01**

(52) **U.S. Cl.**  
USPC ..... **D7/392.1**

(58) **Field of Classification Search**  
USPC ..... D7/391, 392, 392.1, 397, 510, 511, 542, D7/543, 602, 605, 629; D9/435, 443, D9/447, 449, 454  
CPC ..... B65D 43/0225; B65D 51/16  
See application file for complete search history.

(56) **References Cited**

**U.S. PATENT DOCUMENTS**

3,262,602	A *	7/1966	McConnell	.....	B65D 51/1694	220/785
D299,801	S	2/1989	Basitodos			
4,809,868	A	3/1989	Pomroy			
5,088,301	A	2/1992	Piepenbrink			
5,372,274	A	12/1994	Freedland			
5,579,946	A	12/1996	Rowan et al.			
5,948,334	A	9/1999	Takeuchi et al.			
D434,948	S	12/2000	Terracciano			
D465,973	S	11/2002	Dritlein, Jr.			
D515,865	S *	2/2006	Kim	.....	D7/392.1	
7,104,413	B2	9/2006	Liu			
8,083,095	B2 *	12/2011	Hui	.....	B65D 43/021	220/367.1
8,286,589	B1	10/2012	Tsengas			

D692,720	S *	11/2013	Audette	.....	D7/392	
D731,241	S *	6/2015	Yessin	.....	D7/392.1	
9,144,333	B2	9/2015	Lazorchak			
D759,425	S *	6/2016	Castriota	.....	D7/354	
9,414,701	B1	8/2016	Yen et al.			

(Continued)

**FOREIGN PATENT DOCUMENTS**

EP 0850587 A2 7/1998

**OTHER PUBLICATIONS**

“Rigwa Life Round Lid-Bowl”. Found online Jan. 28, 2020 at facebook.com. Reference dated Jan. 1, 2019. Retrieved from https://www.facebook.com/pg/RIGWALIFE/posts/.\*

(Continued)

*Primary Examiner* — Kendra Leslie Hamilton

(74) *Attorney, Agent, or Firm* — Gregory Finch; Finch Paolino, LLC

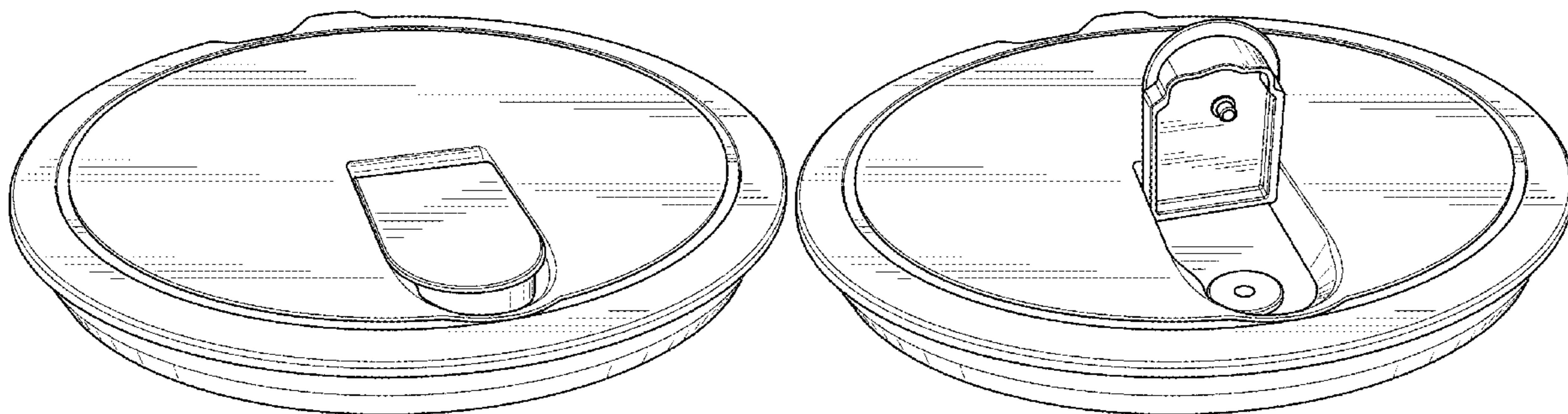
(57) **CLAIM**

The ornamental design for a lid for bowl, as shown and described.

**DESCRIPTION**

FIG. 1 is a top, rear, left side perspective view of the lid for bowl, showing the air vent in a closed configuration; FIG. 2 is a top, front, right side perspective view of the lid for bowl of FIG. 1, showing the air vent in an open configuration; FIG. 3 is a top plan view of the lid for bowl of FIG. 1; FIG. 4 is a bottom plan view thereof; FIG. 5 is a right side elevation view thereof; FIG. 6 is a left side elevation view thereof; FIG. 7 is a front elevation view thereof; and, FIG. 8 is a rear elevation view thereof. In FIGS. 4-8, the broken lines depict portions of the lid for bowl that form no part of the claimed design.

**1 Claim, 8 Drawing Sheets**



(56)

**References Cited**

## U.S. PATENT DOCUMENTS

D810,567	S	*	2/2018	Brovar	.....	D9/449
D842,047	S		3/2019	Jordan		
D850,259	S	*	6/2019	Wiggins	.....	D9/449
D856,068	S	*	8/2019	Barber	.....	D9/443
D869,228	S	*	12/2019	Zhang	.....	D7/392.1
D871,834	S	*	1/2020	Sarnoff	.....	D7/392.1
2007/0144205	A1		6/2007	Moore		
2013/0284102	A1		10/2013	McCune		
2015/0136786	A1*		5/2015	Lonner	.....	A47J 47/02 220/529
2015/0166231	A1*		6/2015	Taylor	.....	B65D 51/32 220/212
2018/0146808	A1		5/2018	Dove		

## OTHER PUBLICATIONS

“Pyrex No-Leak Lid with Vent”. Found online Jan. 28, 2020 at kohls.com. Reference dated Sep. 8, 2010. Retrieved from <https://www.kohls.com/product/prd-599629/pyrex-no-leak-lids-12-pc-storage-container-set.jsp>.\*

“Sistema Microwave Cookware Noodle Bowl”. Found online Jun. 30, 2017 at amazon.com. Reference dated Jun. 12, 2007. Retrieved from [https://www.amazon.com/. . . g=UTF8&pd\\_rd\\_i=B009SD35IO&pd\\_rd\\_r=JXFD1NGBB9AKE9MJ71MK&pd\\_rd\\_w=YljU1&pd\\_rd\\_wg=R9eIL&pvc=1&refRID=JXFD1NGBB9AKE9MJ71MK](https://www.amazon.com/. . . g=UTF8&pd_rd_i=B009SD35IO&pd_rd_r=JXFD1NGBB9AKE9MJ71MK&pd_rd_w=YljU1&pd_rd_wg=R9eIL&pvc=1&refRID=JXFD1NGBB9AKE9MJ71MK).\*

“NEOTA Spill-Proof BPA-Free Baby Bowls and Spoon Set with Lids”. Found online Jun. 26, 2017 at amazon.com. Reference dated Dec. 4, 2015. Retrieved from [https://www.amazon.com/NEOTA-Spill-Proof-BPA-Free-Toddler-3-Count/dp/B0185SCRQ8/ref=cm\\_cr\\_ar\\_p\\_d\\_product\\_top?ie=UTF8](https://www.amazon.com/NEOTA-Spill-Proof-BPA-Free-Toddler-3-Count/dp/B0185SCRQ8/ref=cm_cr_ar_p_d_product_top?ie=UTF8).\*

\* cited by examiner

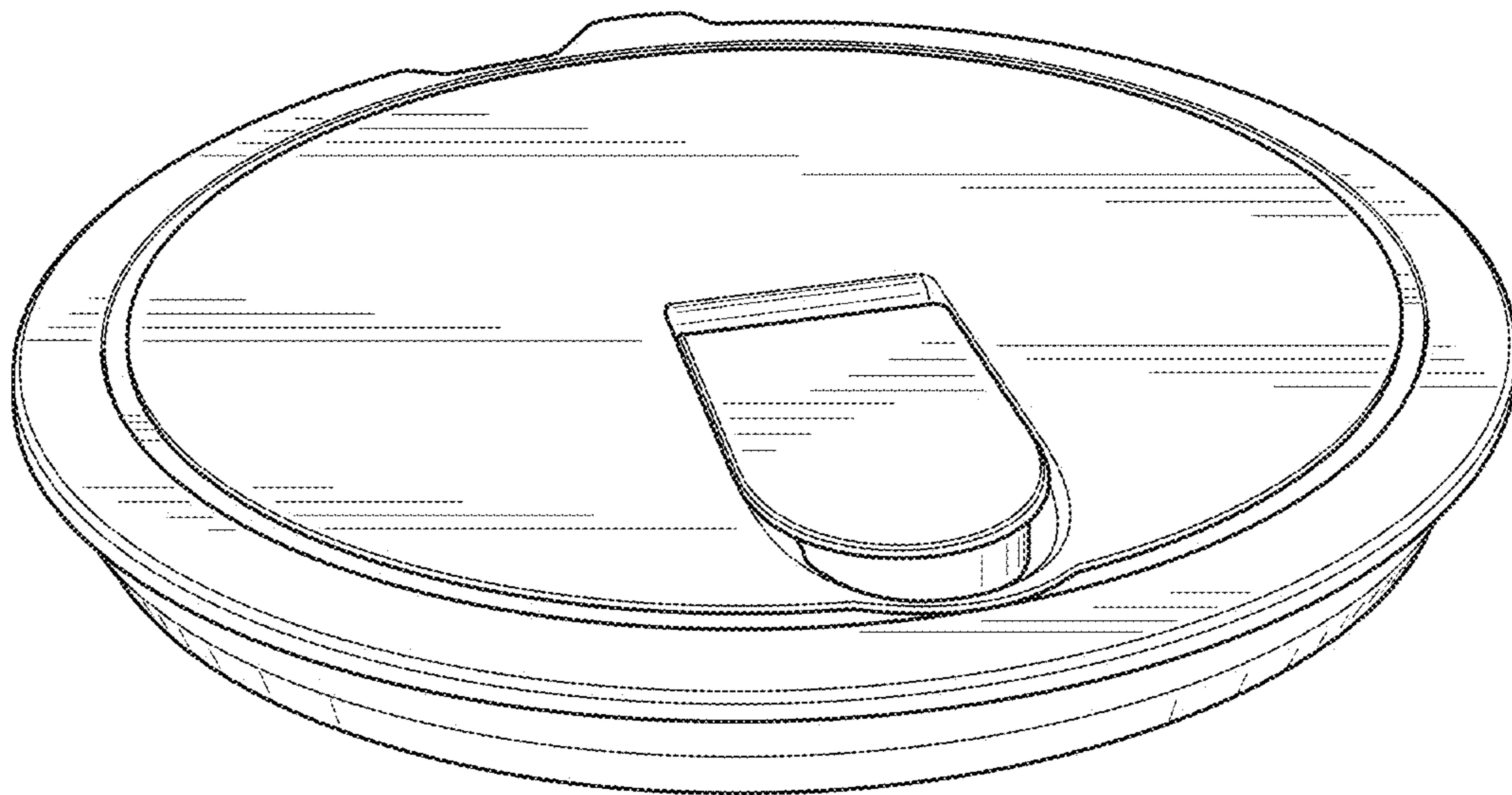


Fig. 1

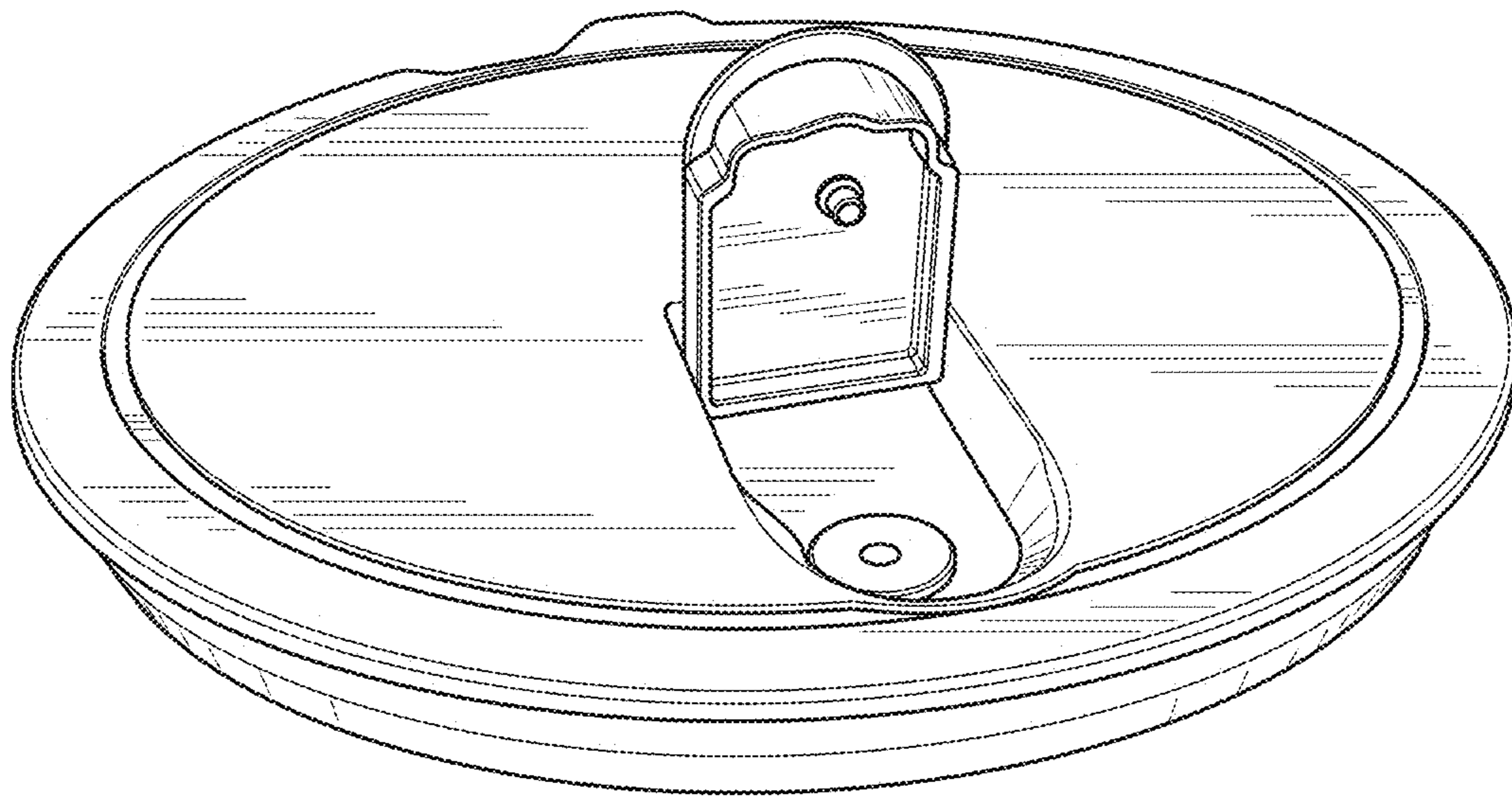


Fig. 2

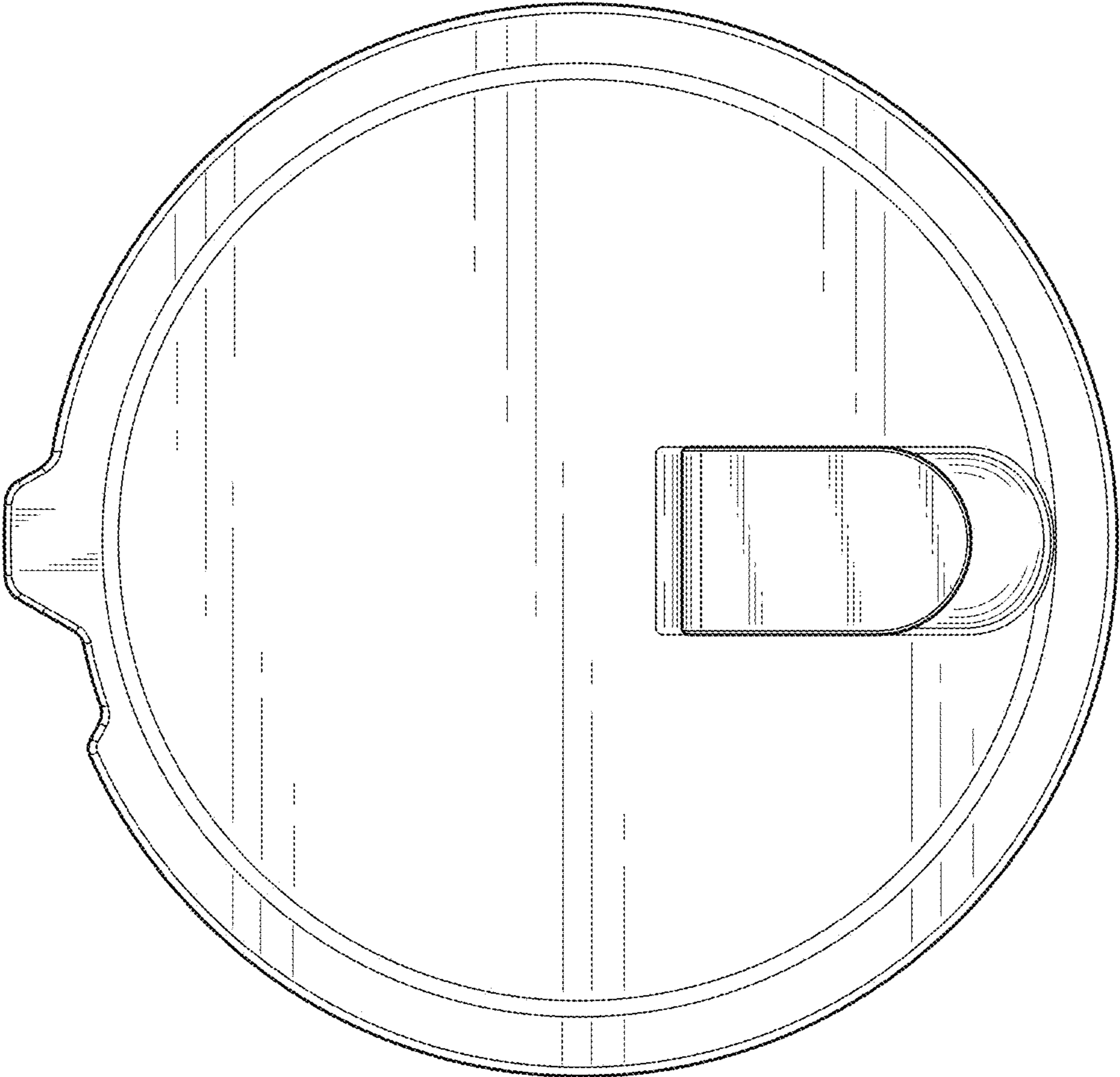


Fig. 3

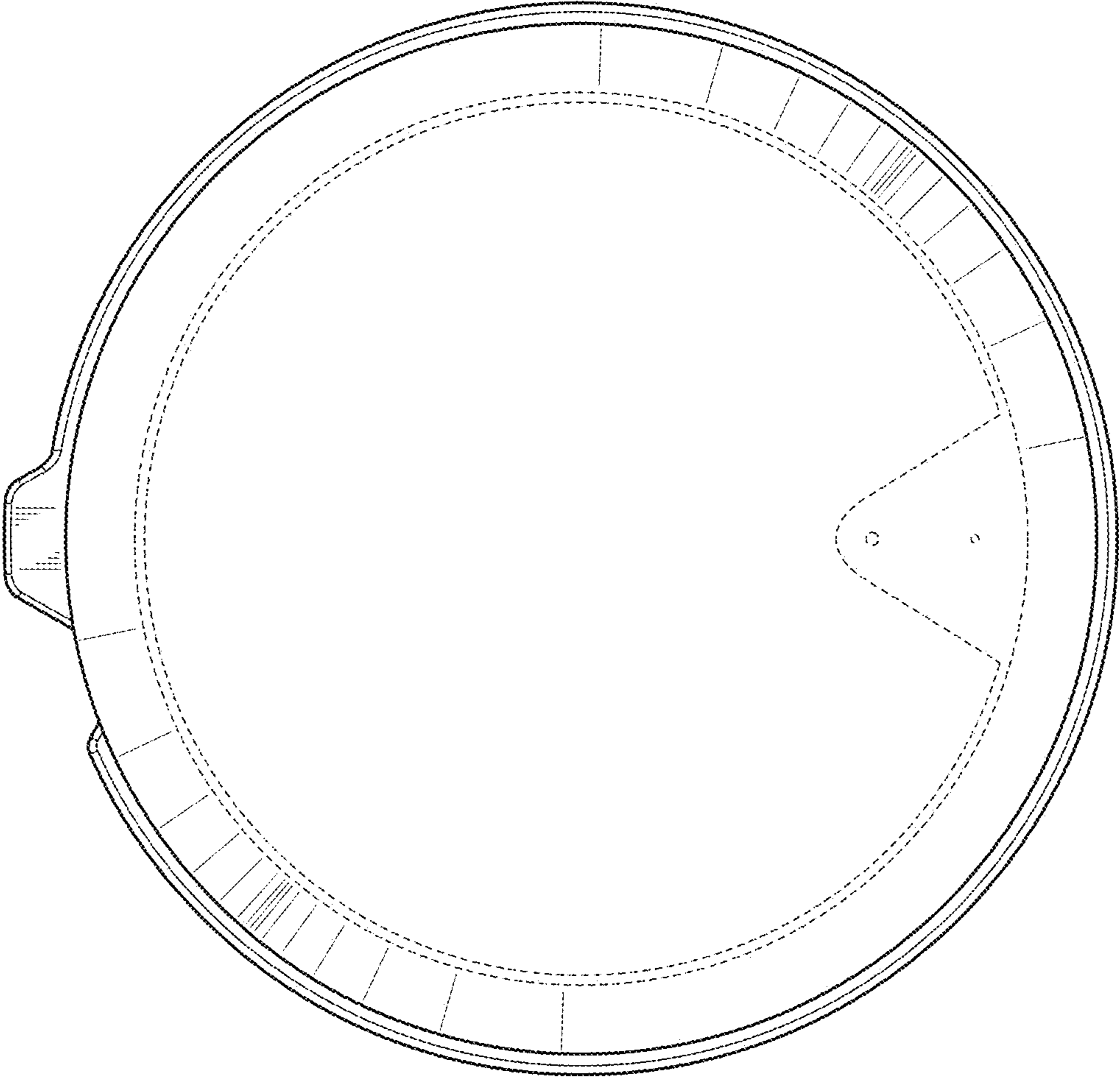


Fig. 4

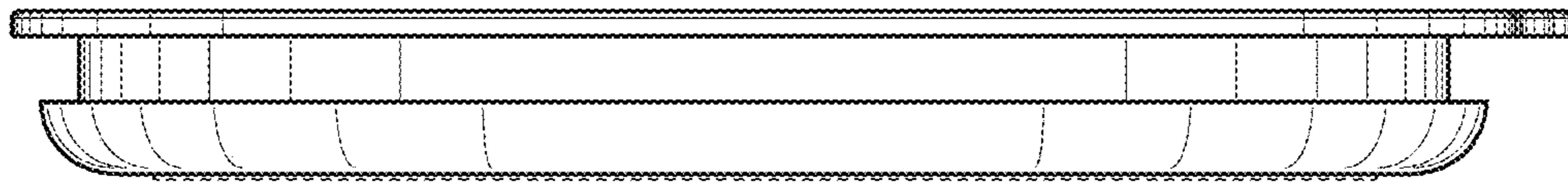


Fig. 5



Fig. 6



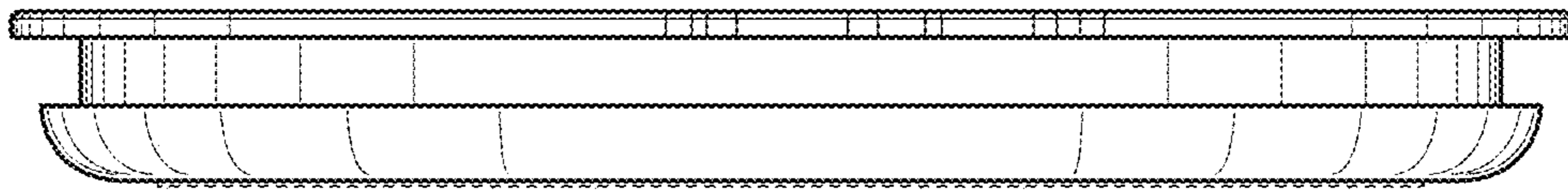


Fig. 7

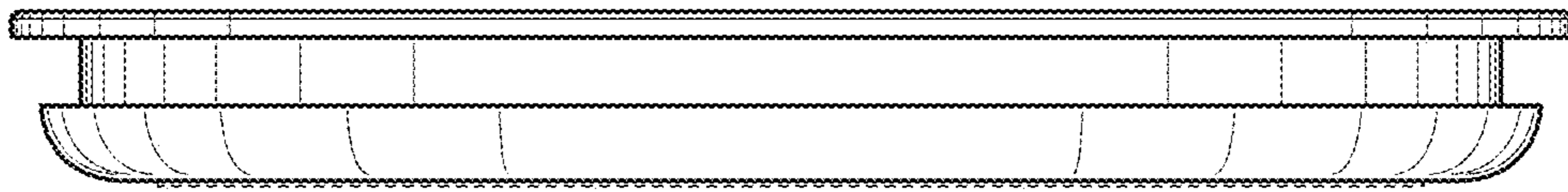


Fig. 8