



US00D913036S

(12) **United States Design Patent** (10) **Patent No.:** **US D913,036 S**
Steenari (45) **Date of Patent:** **** Mar. 16, 2021**

(54) **FLUID CONTAINER**

(71) Applicant: **Takeya USA Corporation**, Huntington Beach, CA (US)

(72) Inventor: **Jukka Steenari**, Aliso Viejo, CA (US)

(73) Assignee: **Takeya USA Corporation**, Costa Mesa, CA (US)

(**) Term: **15 Years**

(21) Appl. No.: **29/704,031**

(22) Filed: **Aug. 30, 2019**

(51) **LOC (13) Cl.** **07-01**

(52) **U.S. Cl.**
USPC **D7/392.1; D7/396.2**

(58) **Field of Classification Search**
USPC D7/392, 608, 523, 624.2, 532, 509, 413, D7/529, 410, 552.1, 396.1, 324, 554.2, D7/553.8, 555, 551.1, 702, 533, 553.2, D7/624.1, 624.3, 553.5, 701, 600.1, 602, D7/601, 683, 409, 383, 536, 553.6, 300.1, D7/300, 507, 300.2, 900, 392.1, 591, 391, D7/510, 511, 592; D9/449, 448, 445, D9/530, 553, 443, 414, 415, 432, 434, D9/435, 754, 527, 452, 529, 544, 455, D9/702, 517, 456, 737, 553.3, 444, 504, D9/683, 501, 502, 541, 503, 454, 500, D9/689, 526; D3/202, 203.2, 294, 318, D3/203.3, 901; D11/130.1; D14/238; D6/681.3; D10/46.2, 46.3; 220/592, 557, 220/568, 264, 714, 705, 710.5; D26/9; 206/557; D24/121; D28/89, 91, 91.1, D28/88; 215/370, 2
CPC A47G 23/06; A47G 19/2288; A47G 19/2227; A47G 19/22; A47G 19/2205; A47G 19/2211; A47G 19/26; B65D 41/04; B65D 51/24; B65D 53/02; B65D 25/22; A47J 47/02

See application file for complete search history.

(56) **References Cited**

U.S. PATENT DOCUMENTS

D233,116 S * 10/1974 Swett D7/300.1
D621,220 S * 8/2010 Lowm D7/510
D638,658 S * 5/2011 Staton D7/392

(Continued)

FOREIGN PATENT DOCUMENTS

CA 168566 * 5/2018
CN 303675610 * 5/2016 B65D 23/04

(Continued)

OTHER PUBLICATIONS

Takeya, "Takeya Originals Bottle Spout Lid," May 19, 2016, Amazon.com, www.amazon.com/dp/B01FVW3EXG (Year: 2016).*

(Continued)

Primary Examiner — Shannon W Morgan
Assistant Examiner — Arva P Adams
(74) *Attorney, Agent, or Firm* — Klein, O'Neill & Singh, LLP

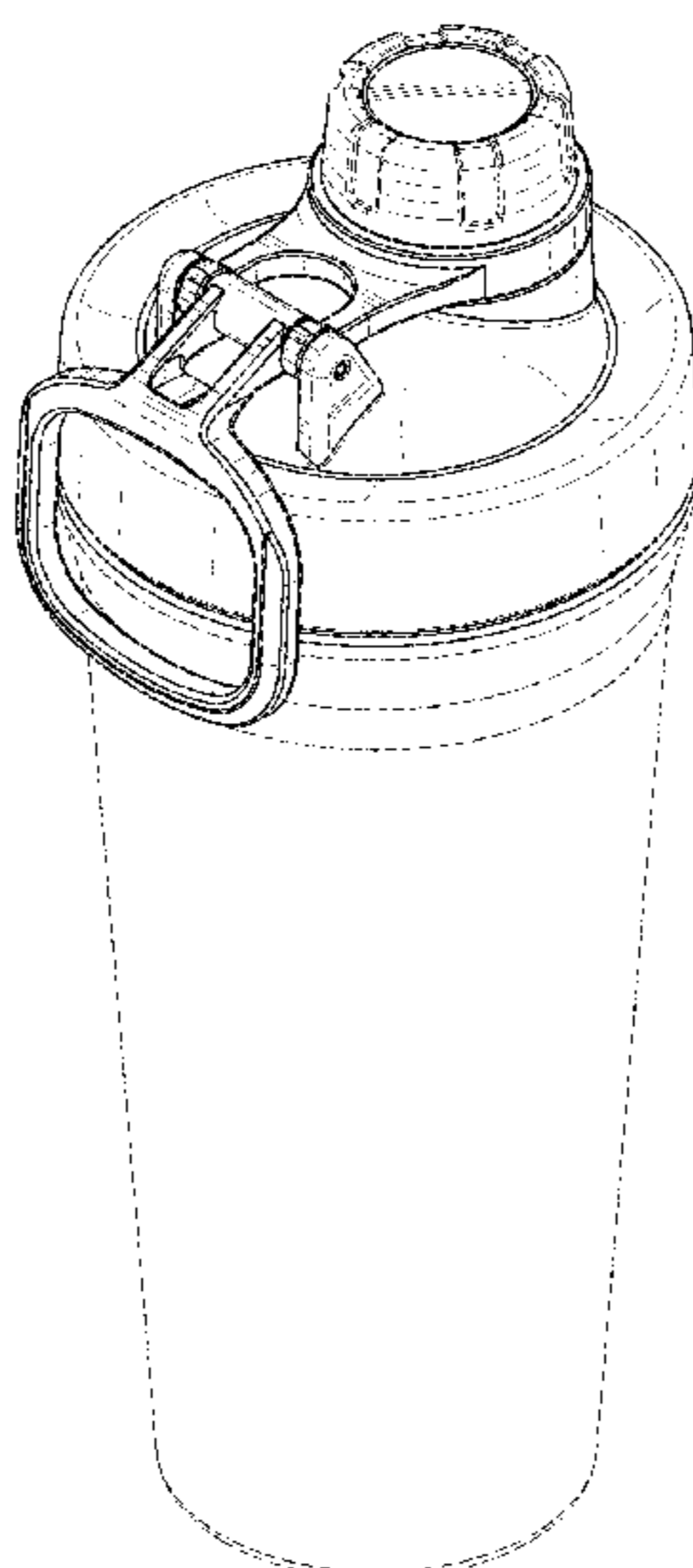
(57) **CLAIM**

The ornamental design for a fluid container, as shown and described.

DESCRIPTION

FIG. 1 is a rear perspective view of a fluid container embodying my new design;
FIG. 2 is a bottom perspective view thereof;
FIG. 3 is a rear elevation view thereof;
FIG. 4 is a front elevation view thereof;
FIG. 5 is a left elevation view thereof;
FIG. 6 is a top plan view thereof; and,
FIG. 7 is a bottom plan view thereof.
The broken lines shown in FIGS. 1-7 depict portions of the fluid container that form no part of the claimed design.

1 Claim, 7 Drawing Sheets



(56)

References Cited

U.S. PATENT DOCUMENTS

D656,357 S * 3/2012 Enghard D7/300.1
 D660,081 S * 5/2012 Gilbert D7/300.1
 D741,637 S * 10/2015 Palermo D7/300.1
 D767,390 S * 9/2016 Miksovsky D9/446
 D771,990 S * 11/2016 Horowitz D7/300.1
 D772,652 S * 11/2016 Yao D7/392.1
 D795,646 S * 8/2017 Sorensen D7/511
 D801,111 S * 10/2017 Eyal D7/510
 D807,110 S * 1/2018 Lown D7/392.1
 D816,397 S * 5/2018 Karl, IV D7/392.1
 D817,085 S * 5/2018 Davis D7/392.1
 D820,635 S * 6/2018 Hammer D7/300.1
 D828,722 S * 9/2018 Davis D7/510
 D830,783 S * 10/2018 Diener D7/392.1
 D848,786 S * 5/2019 Bujalska D7/392.1
 D858,181 S * 9/2019 Lown D7/392.1
 D870,509 S * 12/2019 Bo D7/392.1
 D881,640 S * 4/2020 Nichols D7/392.1
 D893,261 S * 8/2020 Lown D7/511
 D894,670 S * 9/2020 Adams, Jr. D7/392.1

FOREIGN PATENT DOCUMENTS

EM 003150580-0003 * 7/2016
 GB 6034140 * 4/2018
 RU 00102323 * 5/2017
 WO WO-2018165836 A1 * 9/2018 B65D 23/04

OTHER PUBLICATIONS

Takeya, "Takeya Ocean Originals Vacuum-Insulated Stainless-Steel Water Bottle," Mar. 9, 2016, Amazon.com, www.amazon.com/dp/B01CQUXDGY (Year: 2016).*
 Blender Bottle, "Blender Bottle Classic Loop Top Shaker Bottle," Oct. 6, 2016, Amazon.com, www.amazon.com/dp/B01LYFCOEP (Year: 2016).*
 Contigo, "Contigo Shake & Go Fit Thermalock Stainless Steel Shaker Bottle," Dec. 5, 2017, Amazon.com, www.amazon.com/dp/B078CYWCTN (Year: 2017).*
 Bubba Brands, "Bubba Trailblazer Vacuum-Insulated Stainless Steel Water Bottle," Jan. 25, 2018, Amazon.com, www.amazon.com/dp/B079B962YQ (Year: 2018).*
 Drinco, "DRINCO—Stainless Steel Water Bottle," Jun. 29, 2018, Amazon.com, www.amazon.com/dp/B079B962YQ (Year: 2018).*

* cited by examiner

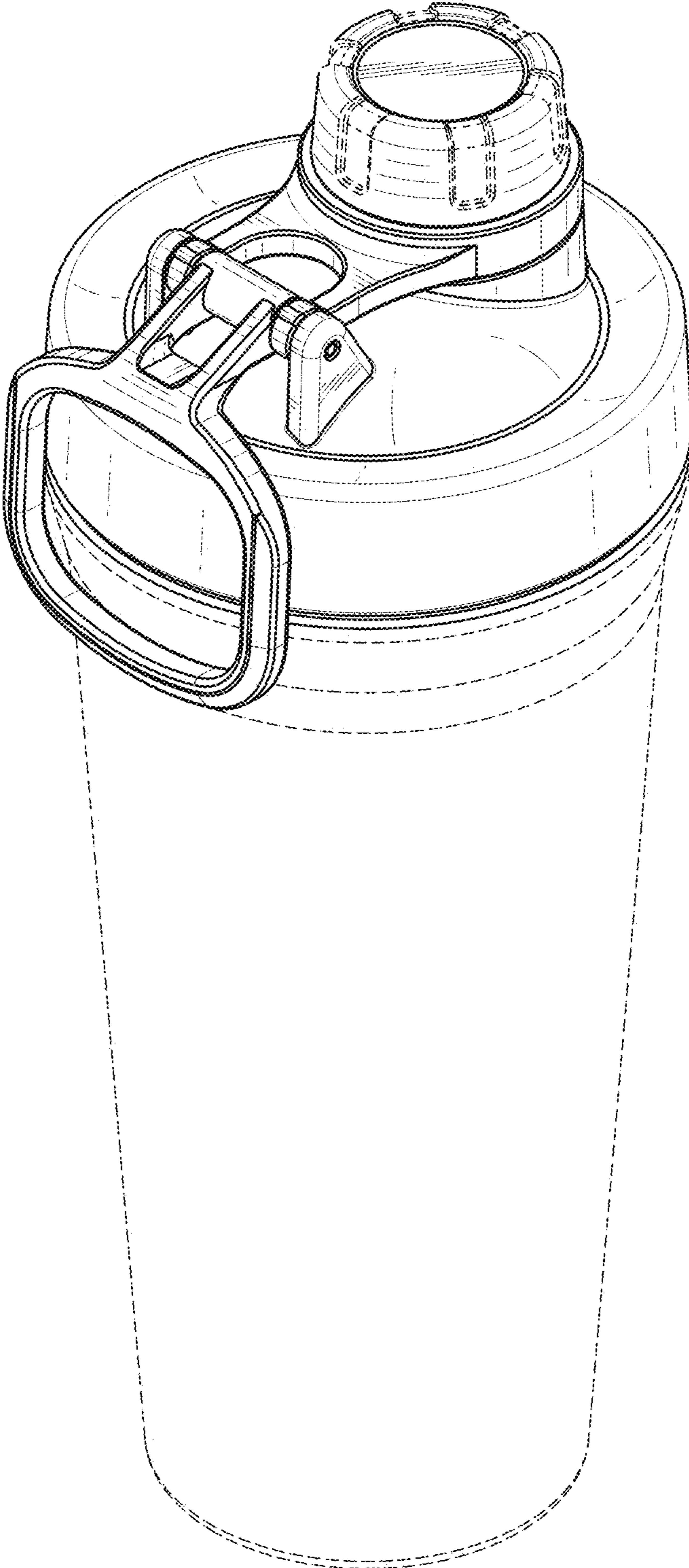


FIG. 1

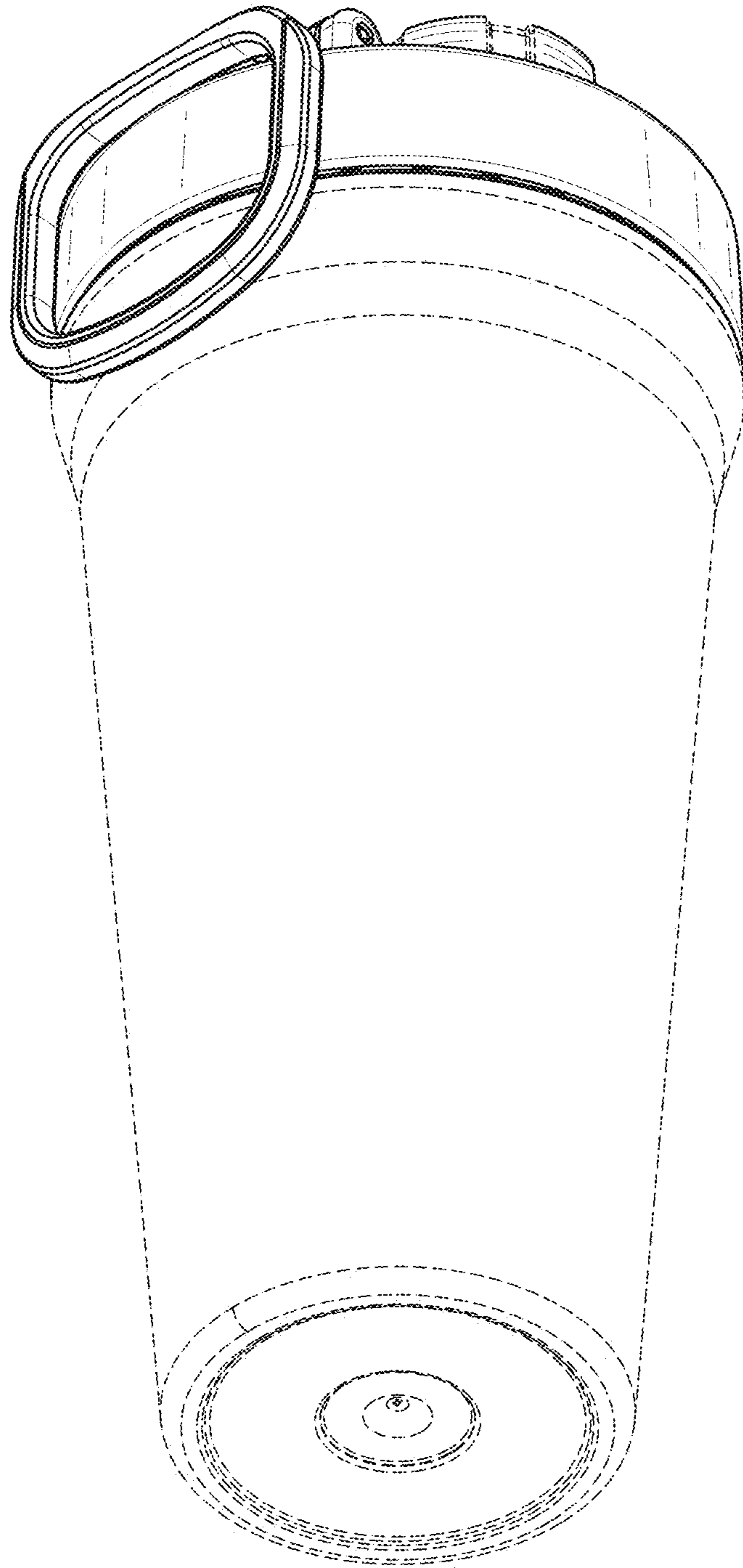


FIG. 2

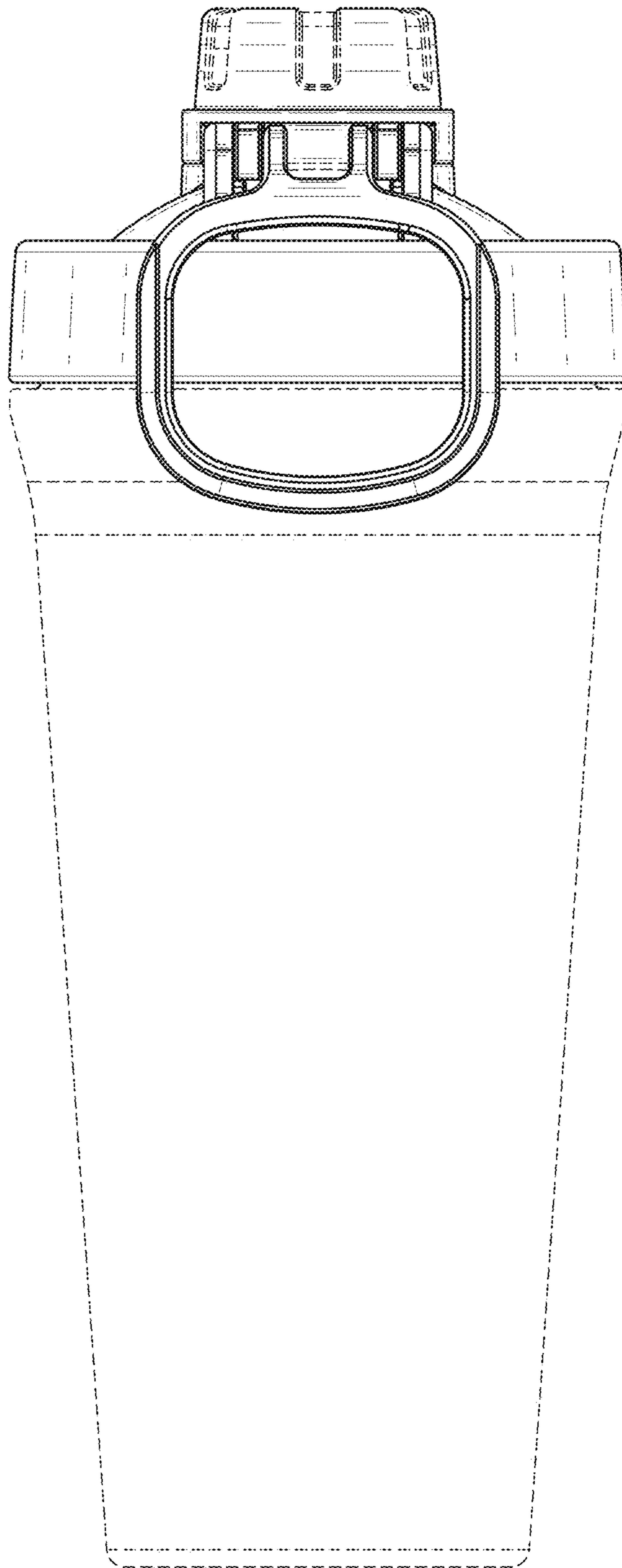


FIG. 3

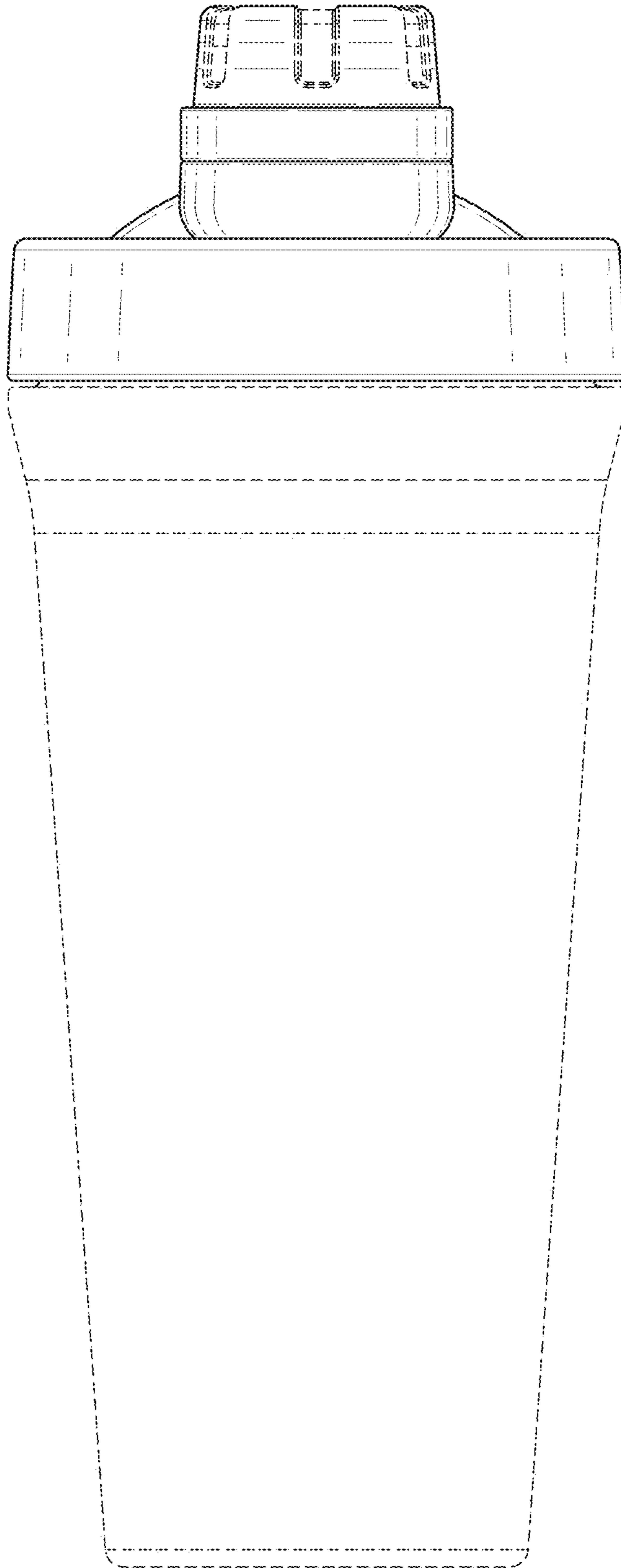


FIG. 4

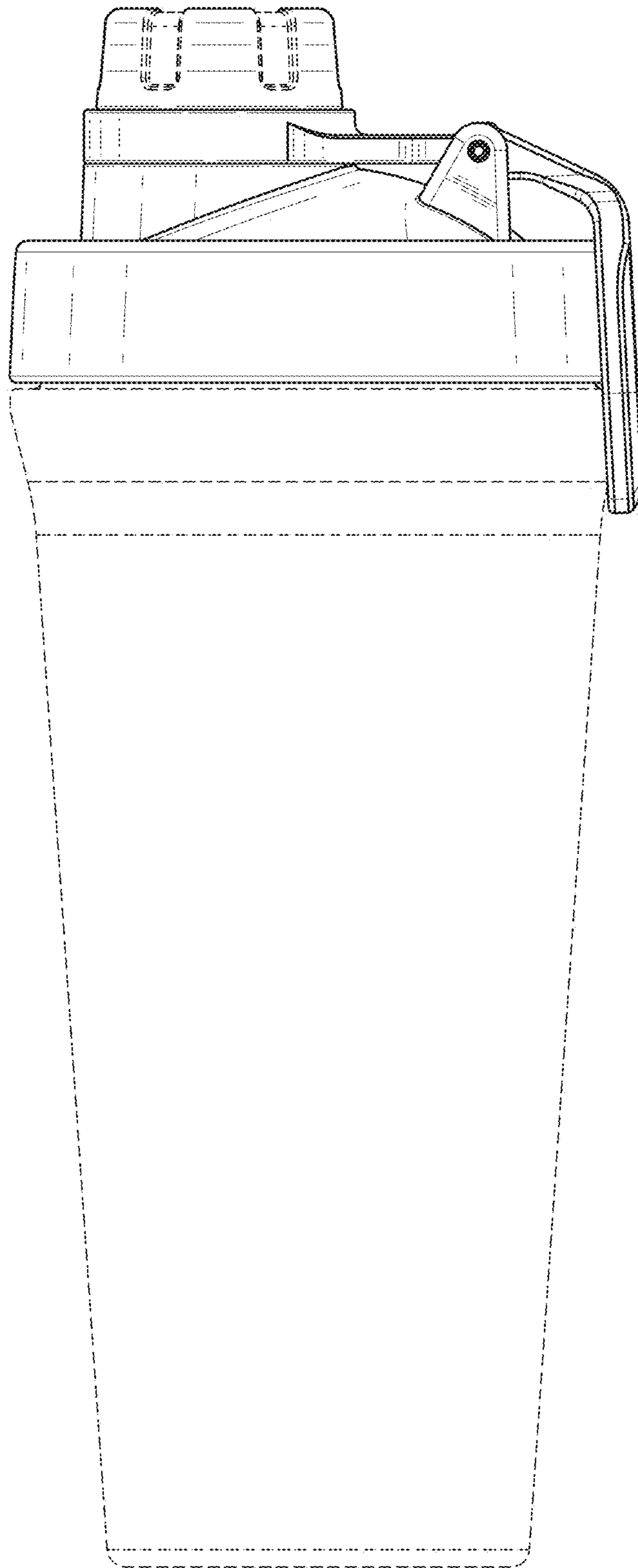


FIG. 5

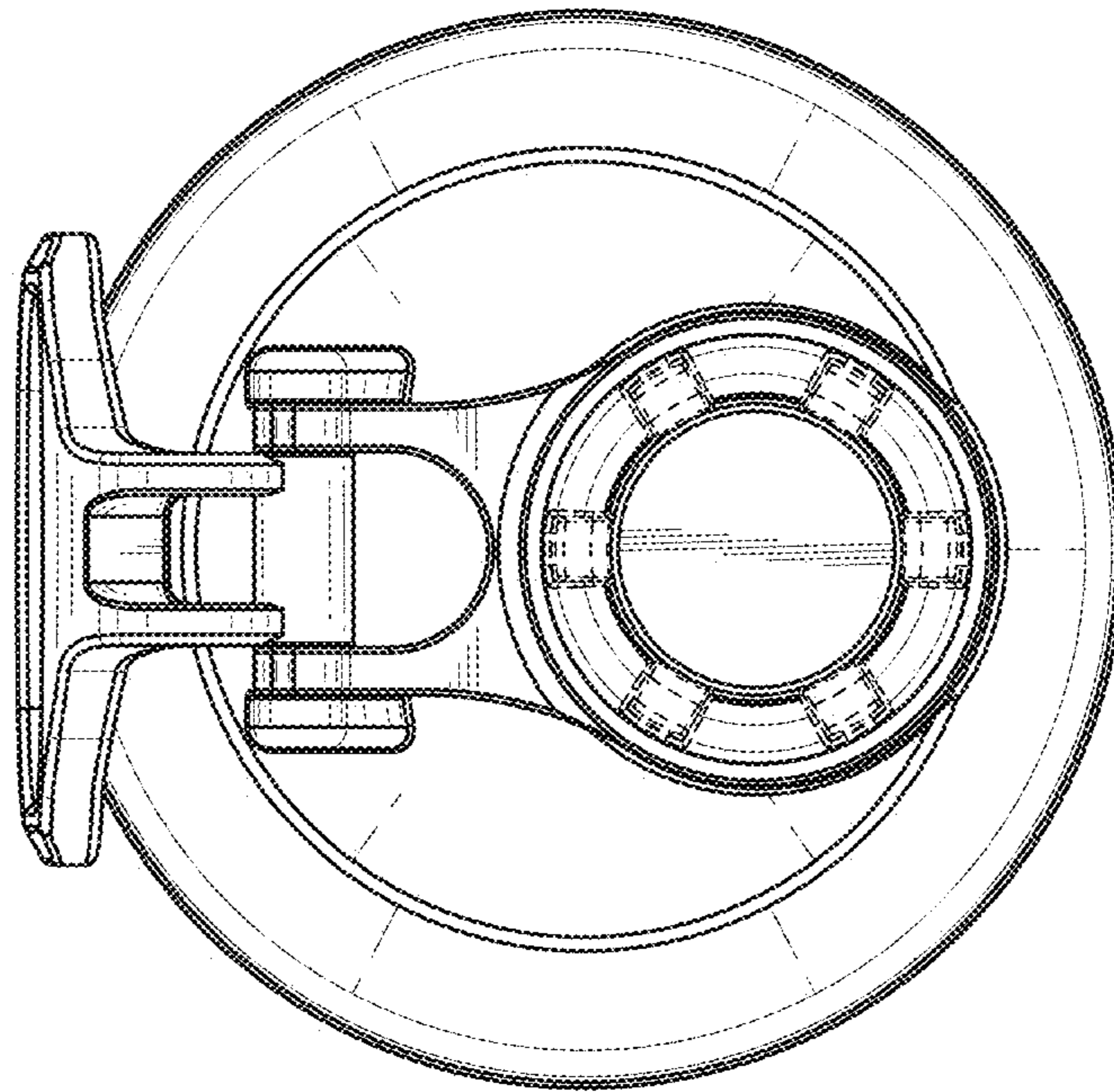


FIG. 6

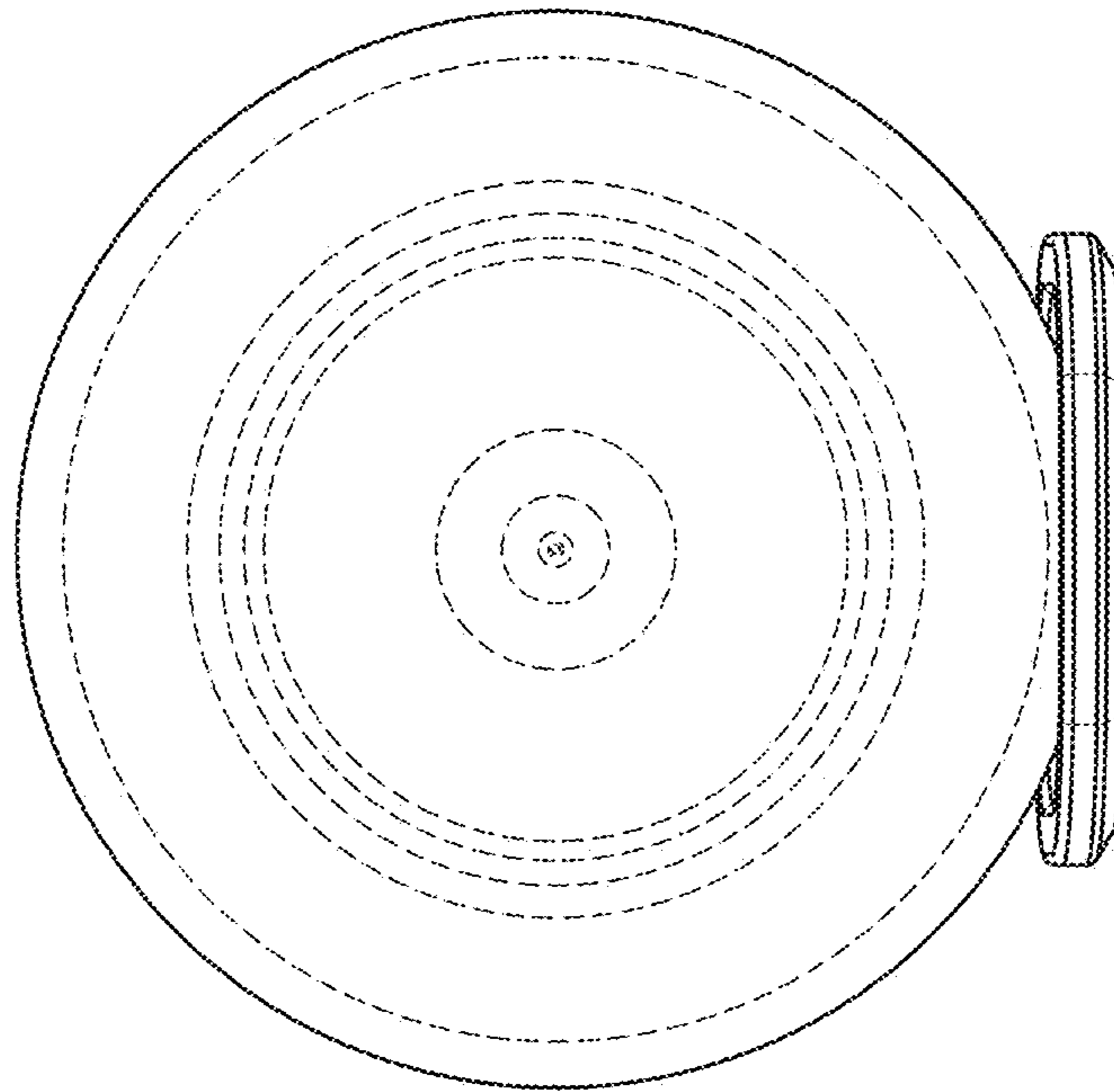


FIG. 7