



US00D913034S

(12) **United States Design Patent**
Cornelius et al.

(10) **Patent No.:** **US D913,034 S**
(45) **Date of Patent:** **** Mar. 16, 2021**

(54) **CAP FOR A DRINKING VESSEL**
(71) Applicant: **AeroBottle, LLC**, Scott City, MO (US)
(72) Inventors: **Derek W Cornelius**, Cape Girardeau, MO (US); **Emmanuel Alvarado**, Zapopan (MX); **Matthew R C Miller**, Scott City, MO (US)
(**) Term: **15 Years**

9,216,843 B2 12/2015 Sorensen
D748,478 S 2/2016 Sorensen
D752,382 S 3/2016 Ksiazek
D758,127 S 6/2016 Zhao
D763,688 S * 8/2016 Breit D9/443
D772,652 S 11/2016 Yao
D786,072 S 5/2017 Breit
D807,110 S 1/2018 Lown
D817,085 S * 5/2018 Davis D7/392.1
D843,778 S * 3/2019 Yao D7/392.1

(Continued)

(21) Appl. No.: **29/670,050**
(22) Filed: **Nov. 13, 2018**
(51) **LOC (13) Cl.** **07-01**
(52) **U.S. Cl.**
USPC **D7/392.1**
(58) **Field of Classification Search**
USPC D7/391, 392, 392.1, 397, 510, 511, 542,
D7/543, 602, 605, 629; D9/435, 443,
D9/447, 449, 454
CPC B65D 43/0225; B65D 47/122
See application file for complete search history.

OTHER PUBLICATIONS

“AeroBottle Primus Steel Water Bottle”. Found online Mar. 6, 2020 at amazon.com. Reference dated May 5, 2018. Retrieved from https://www.amazon.com/AeroBottle-Primus-Bottle-Protein-Shaker/dp/B07CQ7V7T2/ref=sr_1_33?keywords=primus%2Bbottle&qid=1583531841&sr=8-33&th=1.*

(Continued)

Primary Examiner — Kendra Leslie Hamilton
(74) *Attorney, Agent, or Firm* — Kevin J. O’Shea

(56) **References Cited**

U.S. PATENT DOCUMENTS

3,307,752 A * 3/1967 Anderson B65D 23/108
222/465.1
D537,676 S * 3/2007 Kingsley D7/510
D638,658 S * 5/2011 Staton D7/392
D646,919 S 10/2011 Nilsson
8,403,173 B2 * 3/2013 Wahl B65D 47/248
215/387
D687,661 S 8/2013 Cetera
D690,989 S 10/2013 Cetera
D691,849 S 10/2013 Cetera
D692,276 S 10/2013 Cetera
D699,996 S 2/2014 De Leo
8,695,830 B2 4/2014 Meyers
D726,476 S 4/2015 Ercanbrack
D730,694 S 6/2015 Elsaden
D739,174 S 9/2015 Elsaden
D739,674 S 9/2015 Bergstrom

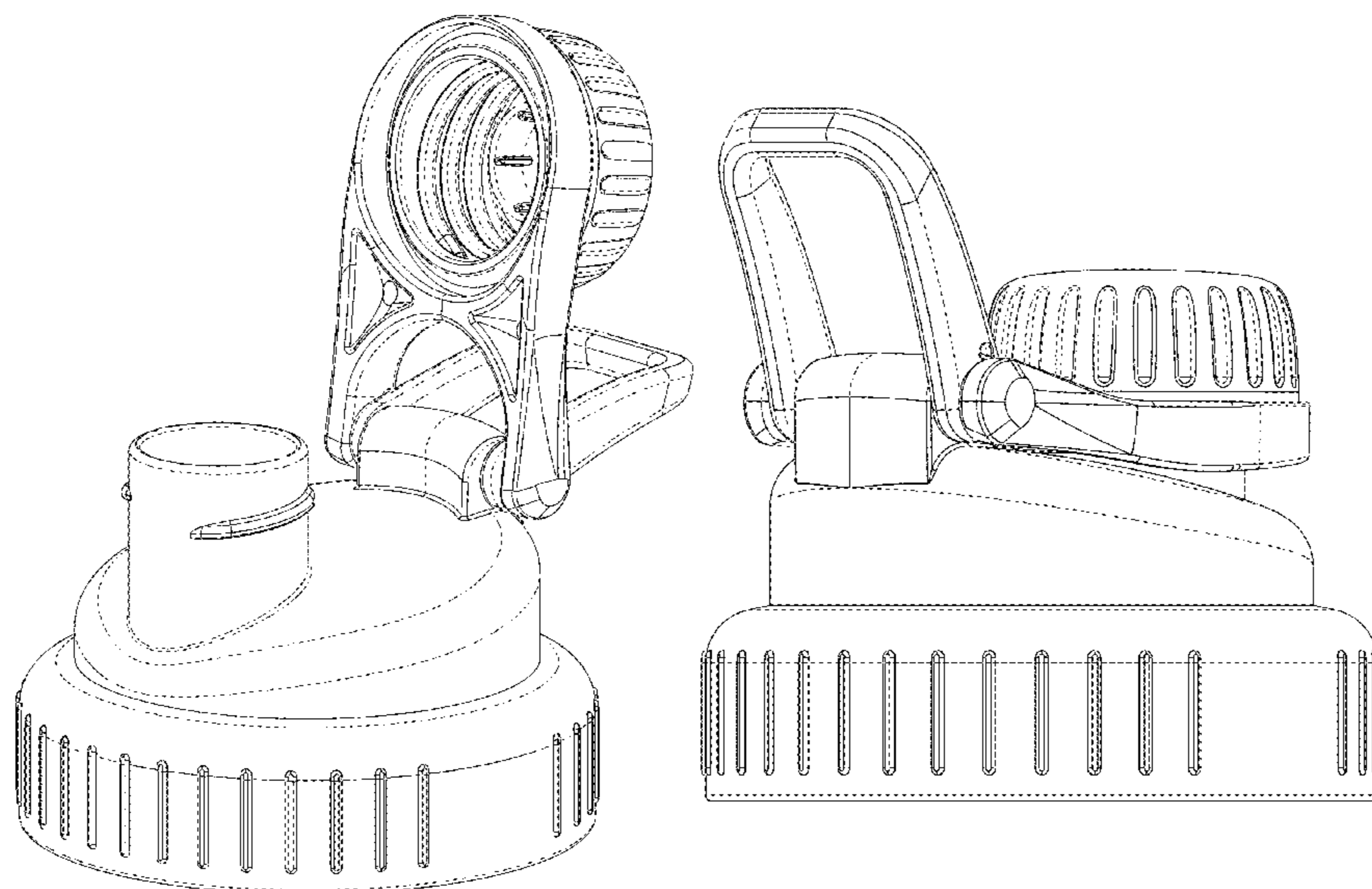
(57) **CLAIM**

The ornamental design for a cap for a drinking vessel, as shown and described.

DESCRIPTION

FIG. 1 is a top, front, left perspective view of a cap for a drinking vessel shown exploded for clarity of disclosure; FIG. 2 is a top, front, left perspective view of the cap for a drinking vessel of FIG. 1, shown assembled; FIG. 3 is a rear, right elevation view thereof; FIG. 4 is a front elevation view of the small screw lid, shown separated from the cap for clarity of disclosure; FIG. 5 is a cross-directional front elevation view of the small screw lid, taken in the direction of line 5-5' of FIG. 4; and, FIG. 6 is a rear elevation view of the cap for a drinking vessel of FIG. 1, shown exploded for clarity of disclosure.

1 Claim, 6 Drawing Sheets



(56)

References Cited

U.S. PATENT DOCUMENTS

D848,786 S * 5/2019 Bujalska D7/392.1
D856,067 S * 8/2019 Barber D7/392.1
D858,181 S * 9/2019 Lown D7/392.1
D870,509 S * 12/2019 Bo D7/392.1
2017/0107023 A1 * 4/2017 Miksovsky B65D 47/122
2019/0135506 A1 * 5/2019 Merrigan B65D 51/1616

OTHER PUBLICATIONS

“Kean Silicone Collapsible Water Bottle: Screw Cap and Small Loop Handle”. Found online Feb. 7, 2020. Reference dated Jun. 27, 2018. Retrieved from https://www.youtube.com/watch?v=8wofT_DWErs&feature=youtu.be&a=*

“Takeya Originals Insulated Stainless Steel Water Bottle”. Found online Jun. 9, 2017 at amazon.com. Reference dated Nov. 19, 2015. Retrieved from https://www.amazon.com/Takeya-Originals-Insulated-Stainless-Bottle/dp/B0188QBELG/ref=cm_cr_arp_d_product_top?ie=UTF8.*

* cited by examiner

FIG. 1

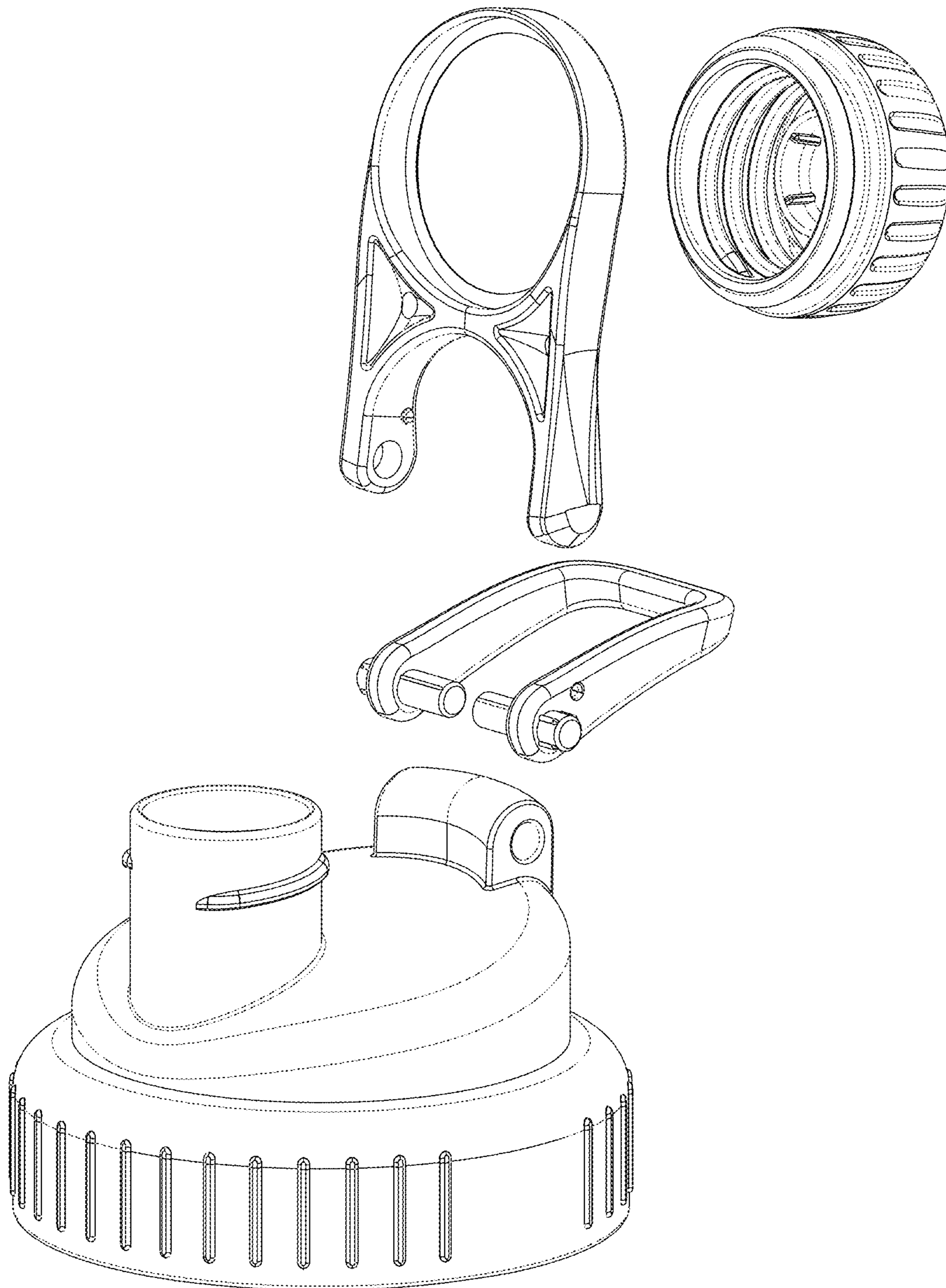


FIG. 2

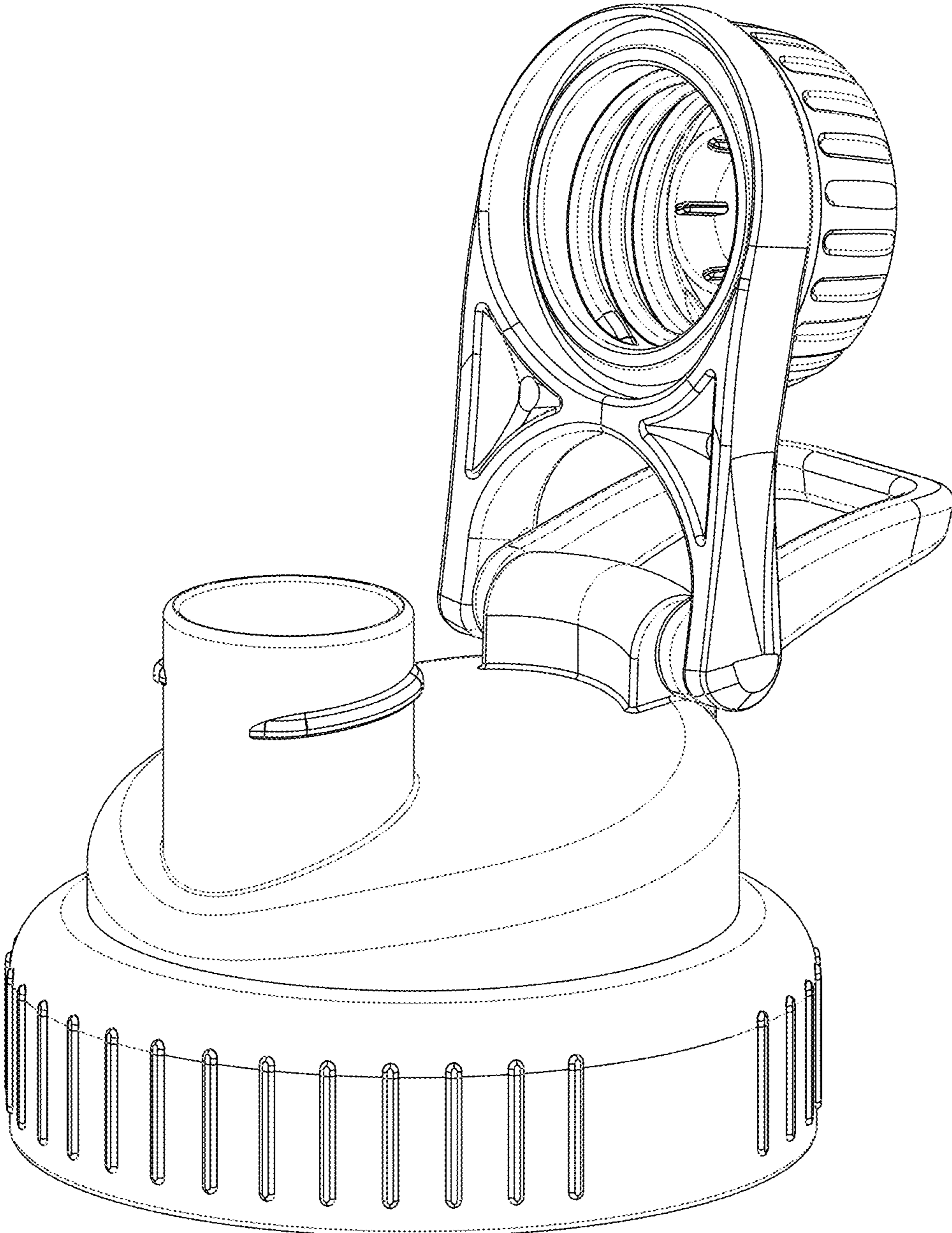


FIG. 3

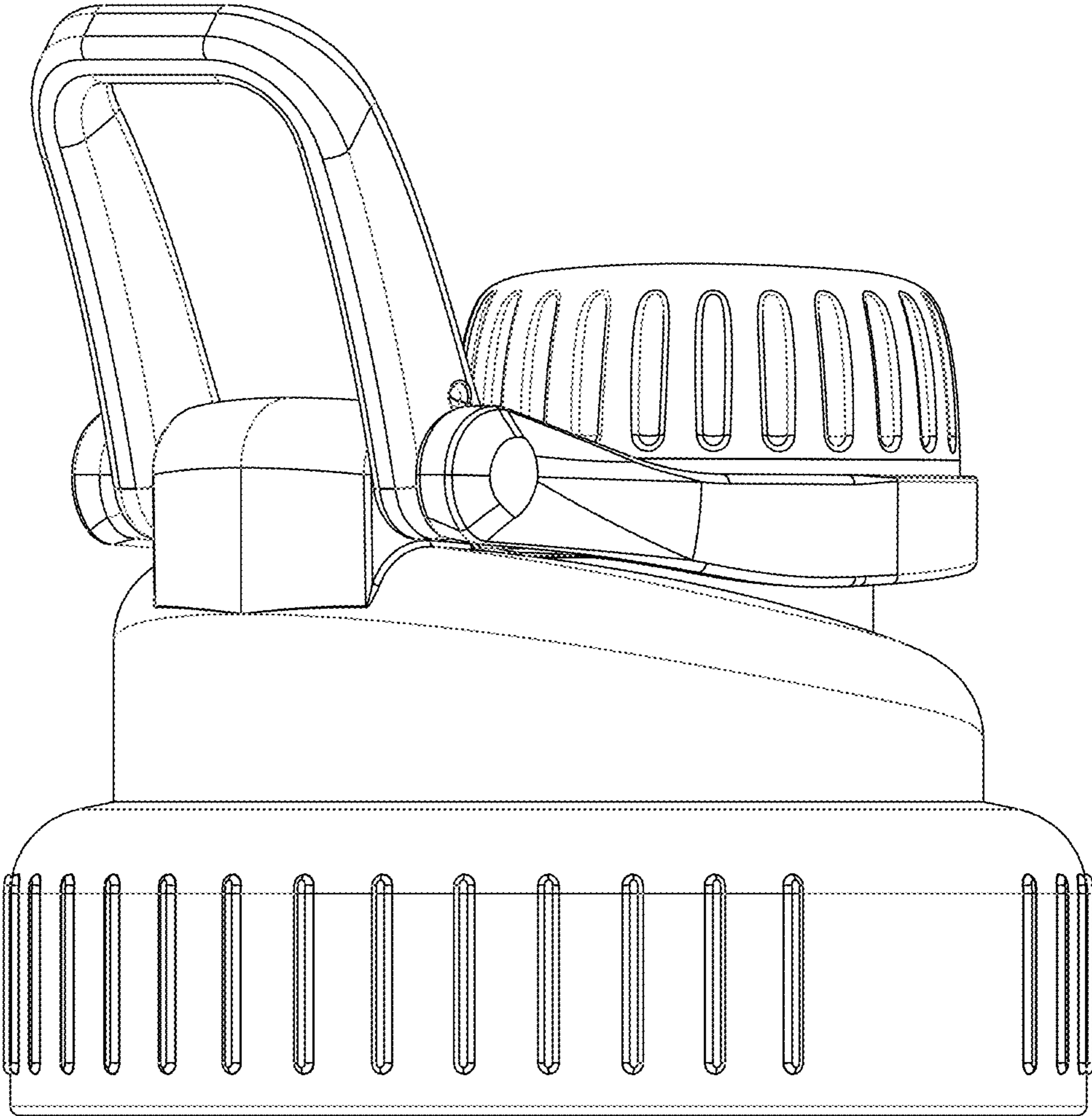


FIG. 4

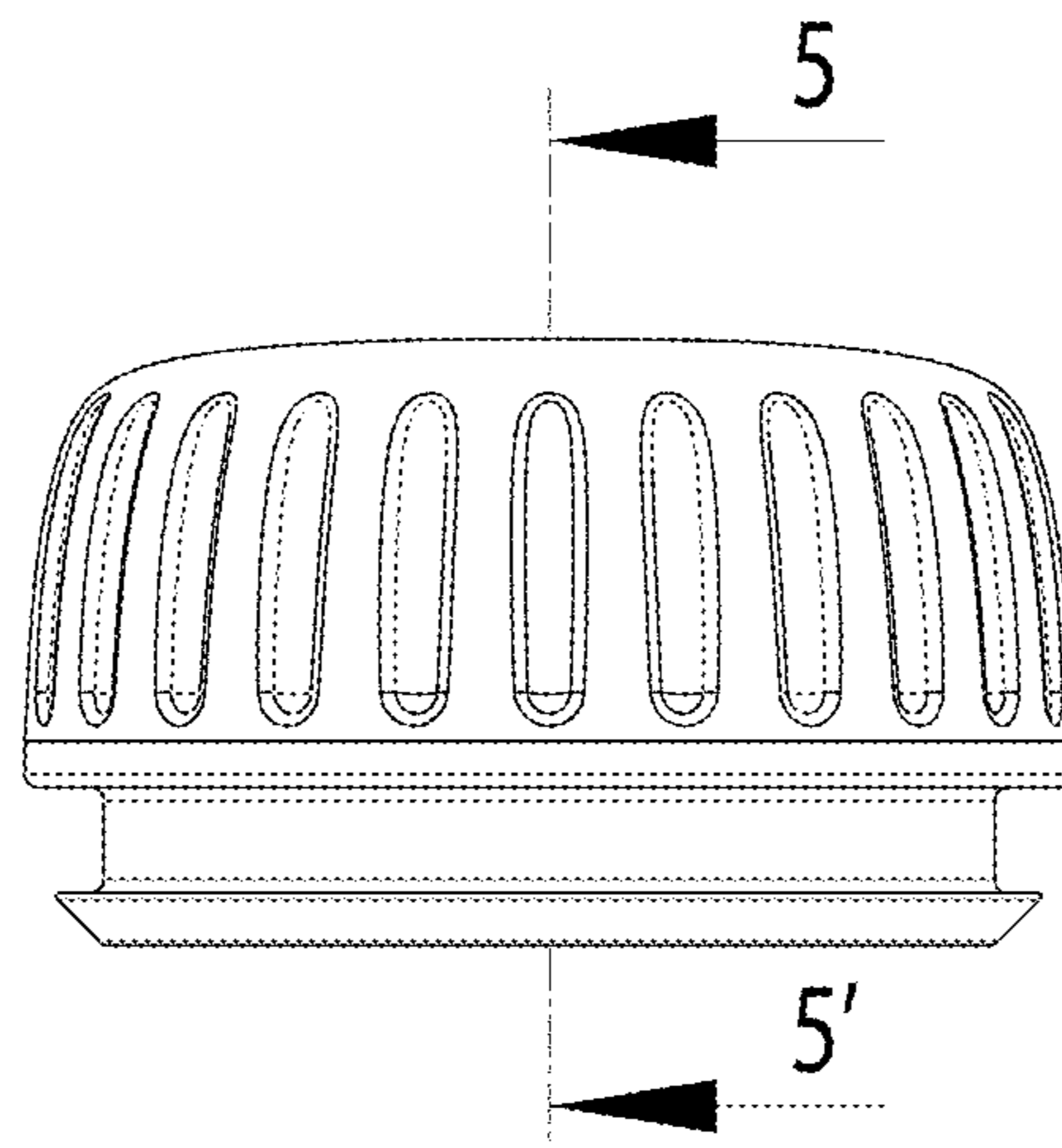


FIG. 5

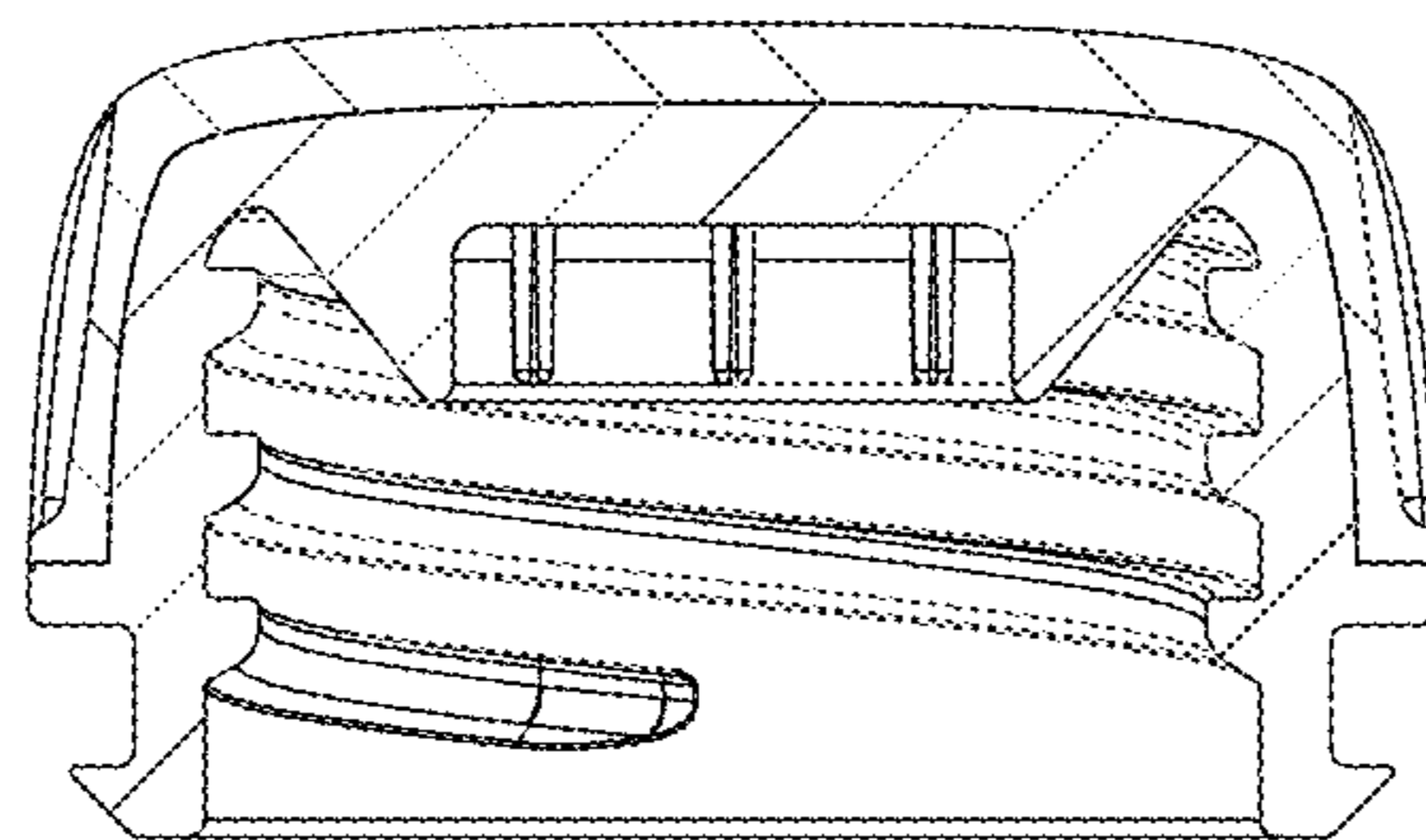


FIG. 6

