



US00D913033S

(12) **United States Design Patent** (10) **Patent No.:** **US D913,033 S**  
**Jones** (45) **Date of Patent:** **\*\* Mar. 16, 2021**

- (54) **BLENDER**
- (71) Applicant: **SharkNinja Operating LLC**,  
Needham, MA (US)
- (72) Inventor: **Zintis Jones**, London (GB)
- (73) Assignee: **SHARKNINJA OPERATING LLC**,  
Needham, MA (US)

- D760,026 S \* 6/2016 Smith ..... D7/413
- D775,892 S \* 1/2017 Smith ..... D7/413
- D800,499 S \* 10/2017 Repac ..... D7/413
- D804,248 S \* 12/2017 Tu ..... D7/413
- 9,906,090 B2 2/2018 Carroll et al.
- D832,641 S \* 11/2018 Sapire ..... D7/378
- D859,063 S \* 9/2019 Lee ..... D7/378
- D859,064 S \* 9/2019 Lee ..... D7/386
- D867,054 S \* 11/2019 Lee ..... D7/386

(Continued)

(\*\*) Term: **15 Years**

**FOREIGN PATENT DOCUMENTS**

(21) Appl. No.: **29/685,956**

- CN 108400689 A 8/2018
- WO 2009049355 A1 4/2009
- WO 2018104813 A1 6/2018

(22) Filed: **Apr. 1, 2019**

(51) **LOC (13) Cl.** ..... **31-00**

**OTHER PUBLICATIONS**

(52) **U.S. Cl.**

USPC ..... **D7/378**; D7/376; D7/386; D7/412;  
D7/413

International Search Report; International Application No. PCT/  
US2020/027593; International Filing Date: Apr. 10, 2020; dated Jul.  
27, 2020; 3 pages.

(58) **Field of Classification Search**

(Continued)

USPC ..... D7/372, 376–386, 412–413, 510, 602,  
D7/629, 665–666, 669, 679, 693–694  
CPC .... A21C 1/02; A21C 1/04; A23N 1/00; A23N  
1/02; A47J 43/04; A47J 43/25; A47J  
43/27; A47J 43/042; A47J 43/044; A47J  
43/046; A47J 43/075; A47J 43/0722;  
A47J 43/0727; A47J 43/0761; B01F 3/00;  
B01F 3/0807; B01F 3/0853; B01F  
13/0059; B01F 13/0064; B02C 1/08;  
B02C 2/04; B02C 4/42; B02C 4/142;  
B02C 4/143; B02C 4/423; B02C 13/1835;  
B28C 5/10; B28C 5/12; B28C 5/14;  
B28C 5/16

*Primary Examiner* — Ricky Pham  
(74) *Attorney, Agent, or Firm* — Cantor Colburn LLP

See application file for complete search history.

(57) **CLAIM**

The ornamental design for a blender, as shown and  
described.

(56) **References Cited**

**DESCRIPTION**

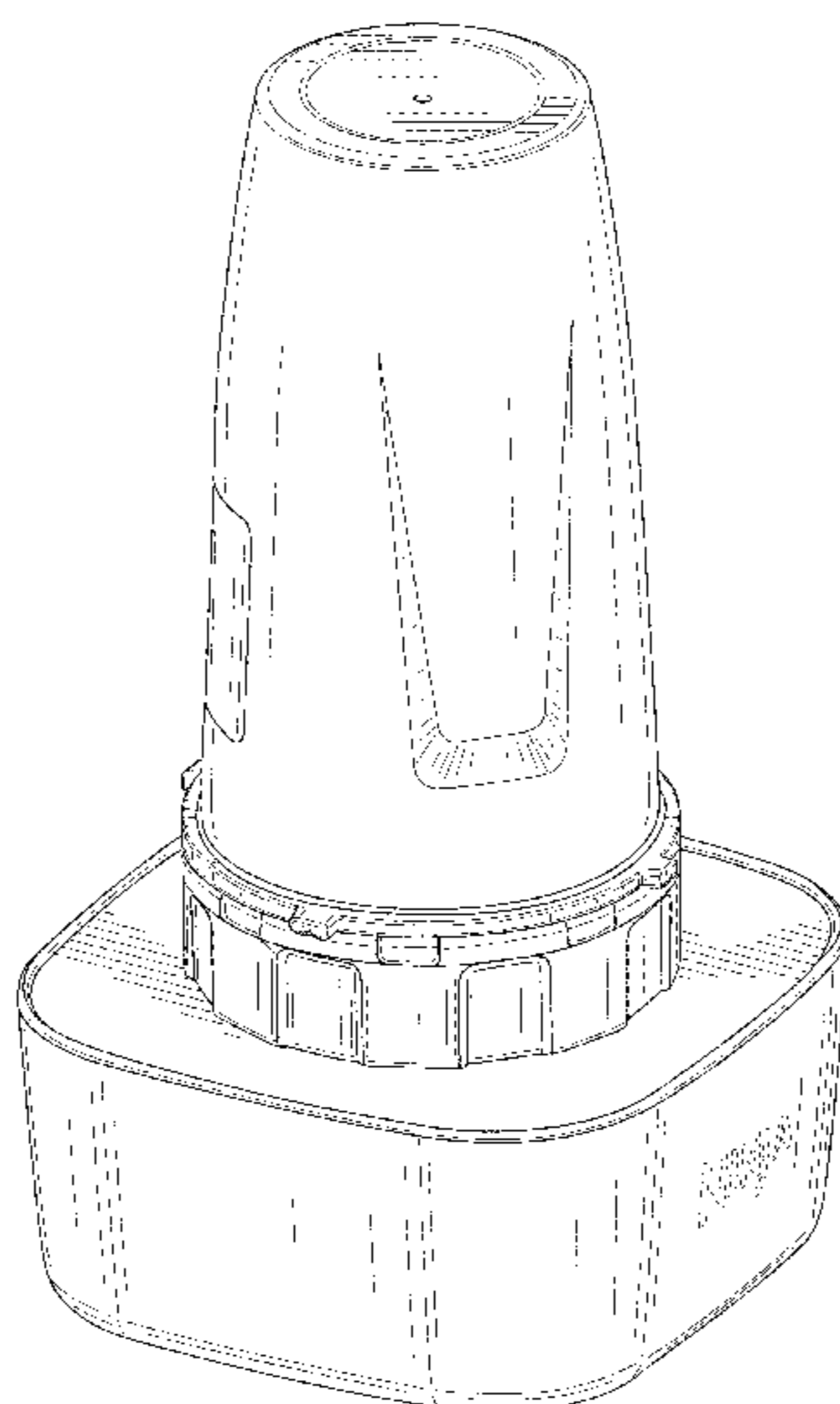
**U.S. PATENT DOCUMENTS**

- D466,363 S \* 12/2002 Dalton ..... D7/384
- D560,093 S \* 1/2008 Verdun ..... D7/384
- D632,133 S \* 2/2011 Giraud ..... D7/510
- D708,008 S \* 7/2014 Lazzer ..... D7/384
- D711,682 S \* 8/2014 Norland ..... D7/384

FIG. 1 is a perspective view of a blender, showing our new  
design;  
FIG. 2 is a side view thereof;  
FIG. 3 is another side view thereof;  
FIG. 4 is a front view thereof;  
FIG. 5 is a rear view thereof;  
FIG. 6 is a top view thereof; and,  
FIG. 7 is a bottom view thereof.

The broken lines in the figures are for environmental pur-  
poses only and form no part of the claimed design.

**1 Claim, 7 Drawing Sheets**



(56)

**References Cited**

U.S. PATENT DOCUMENTS

2011/0283896 A1 11/2011 Lam et al.  
2016/0037970 A1 2/2016 Golino et al.

OTHER PUBLICATIONS

Written Opinion of the International Searching Authority; International Application No. PCT/2020/027593; International Filing Date: Apr. 10, 2020; dated Jul. 27, 2020; 8 pages.

\* cited by examiner

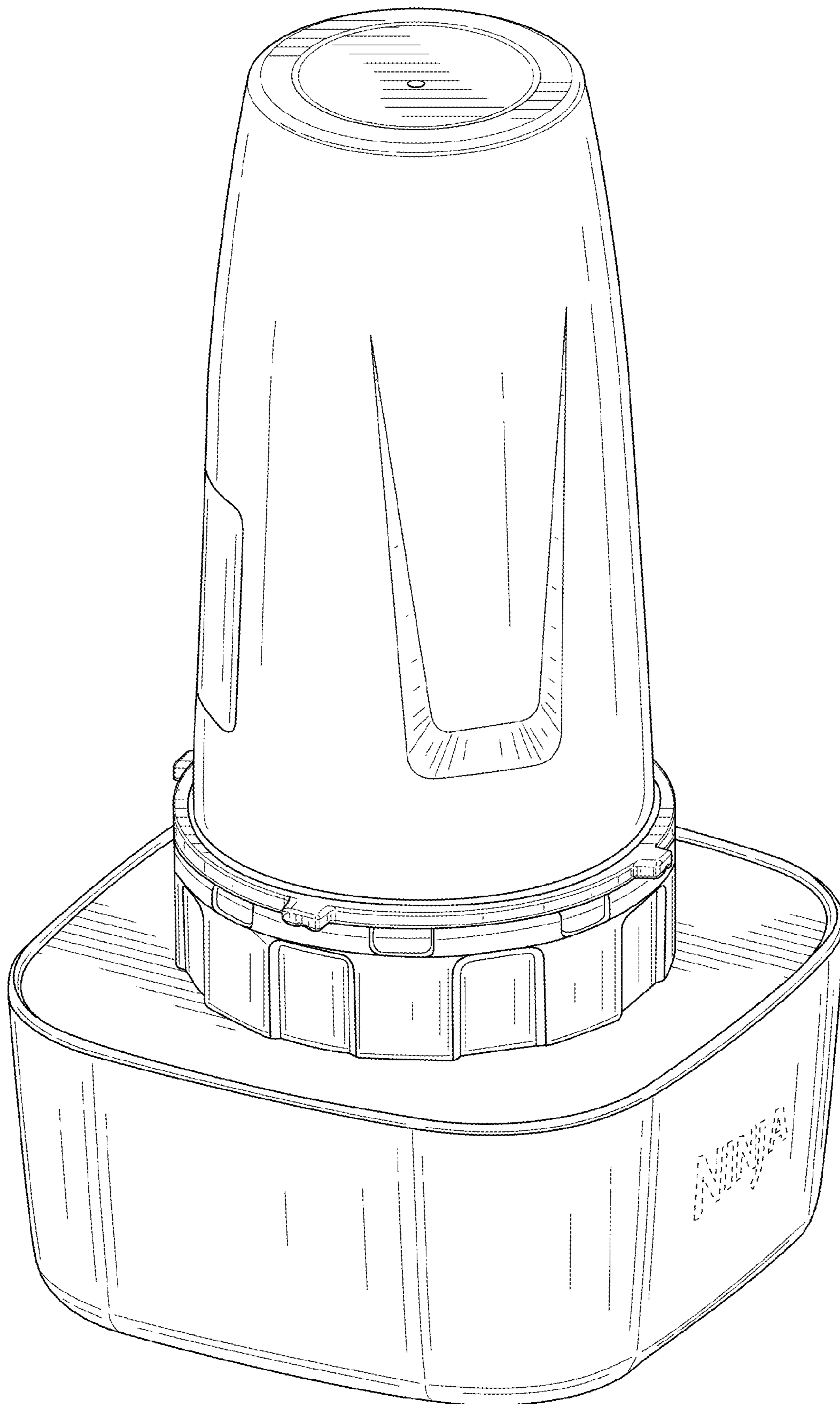


FIG. 1

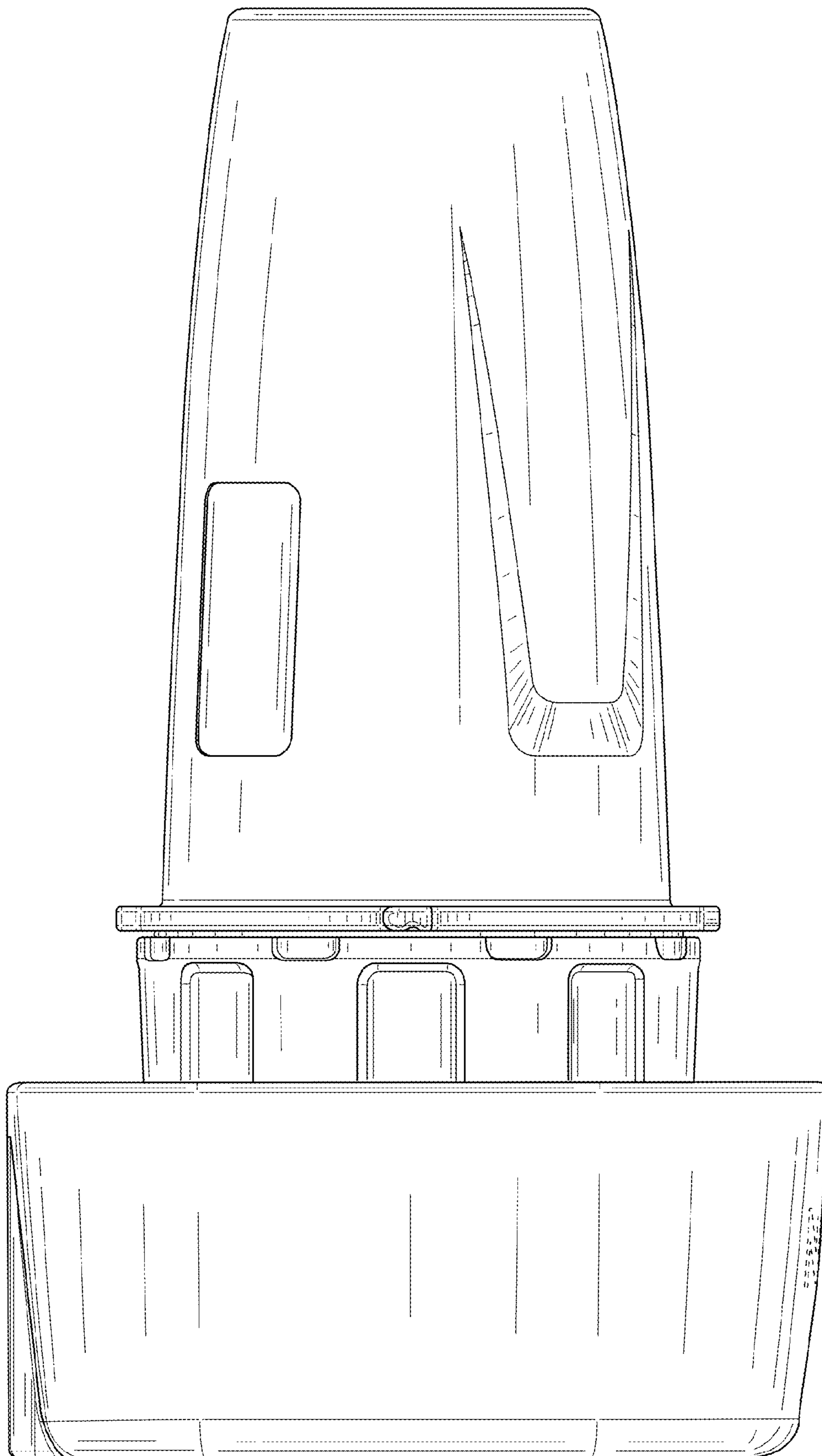


FIG. 2

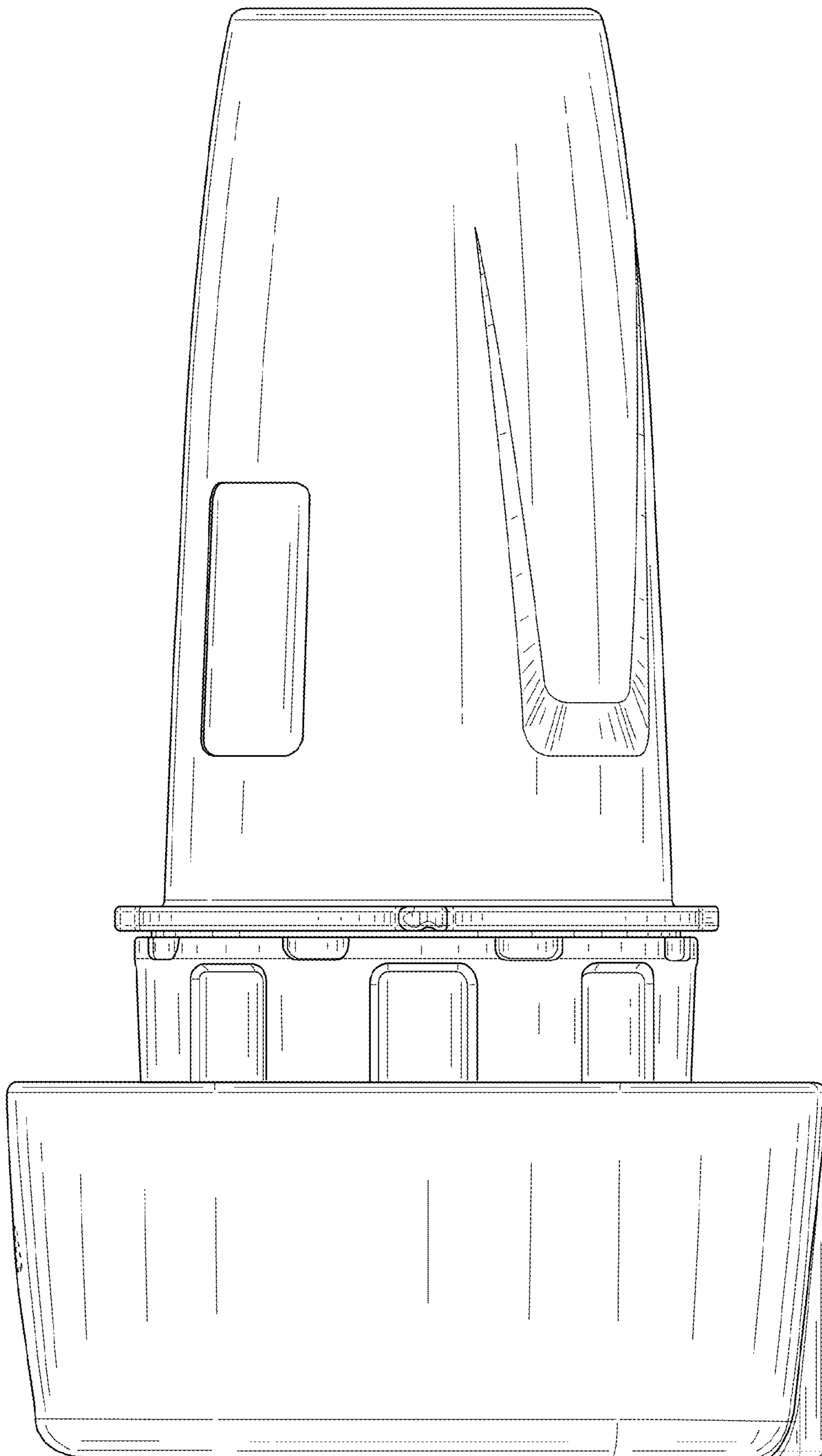


FIG. 3



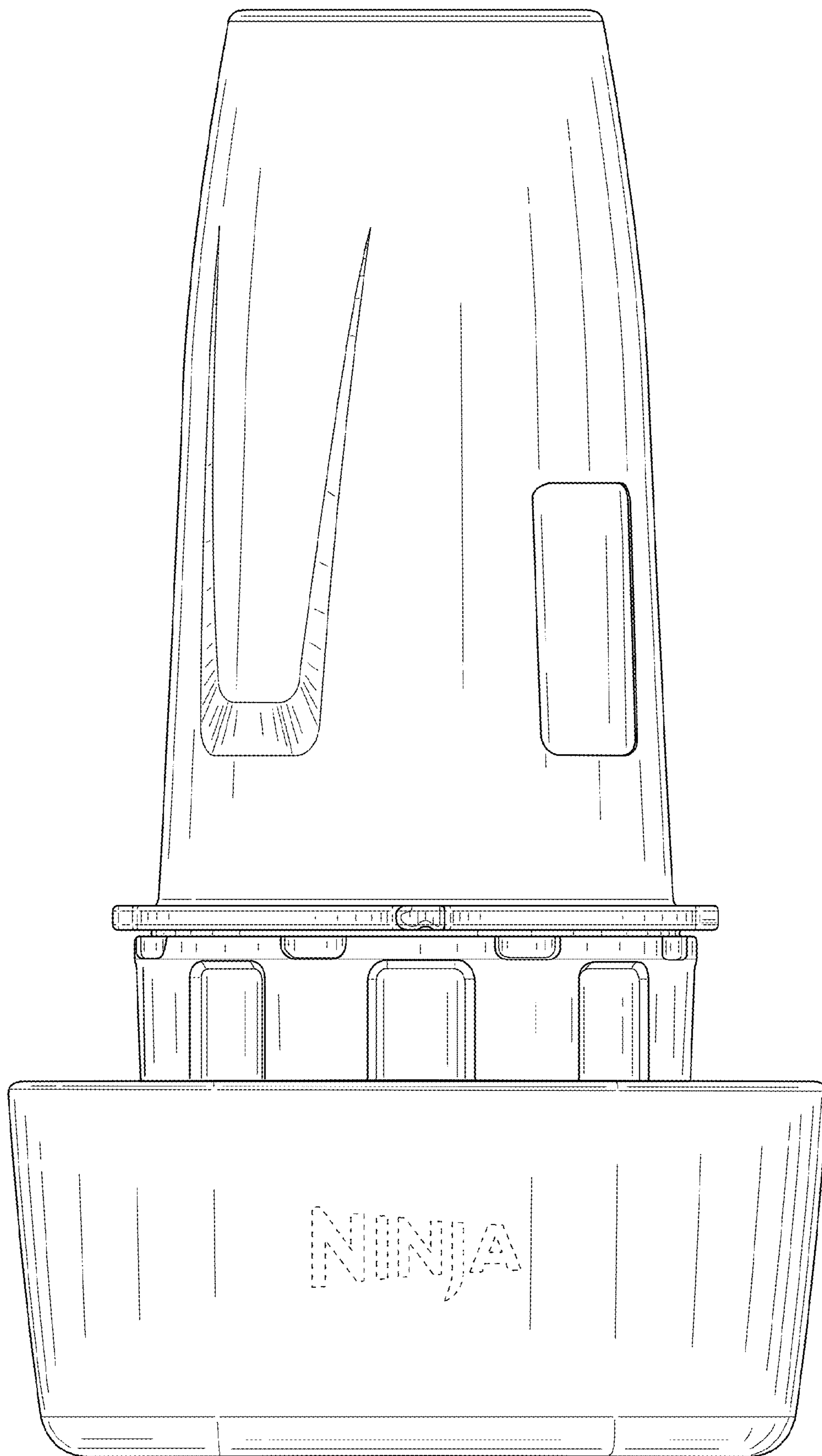


FIG. 4

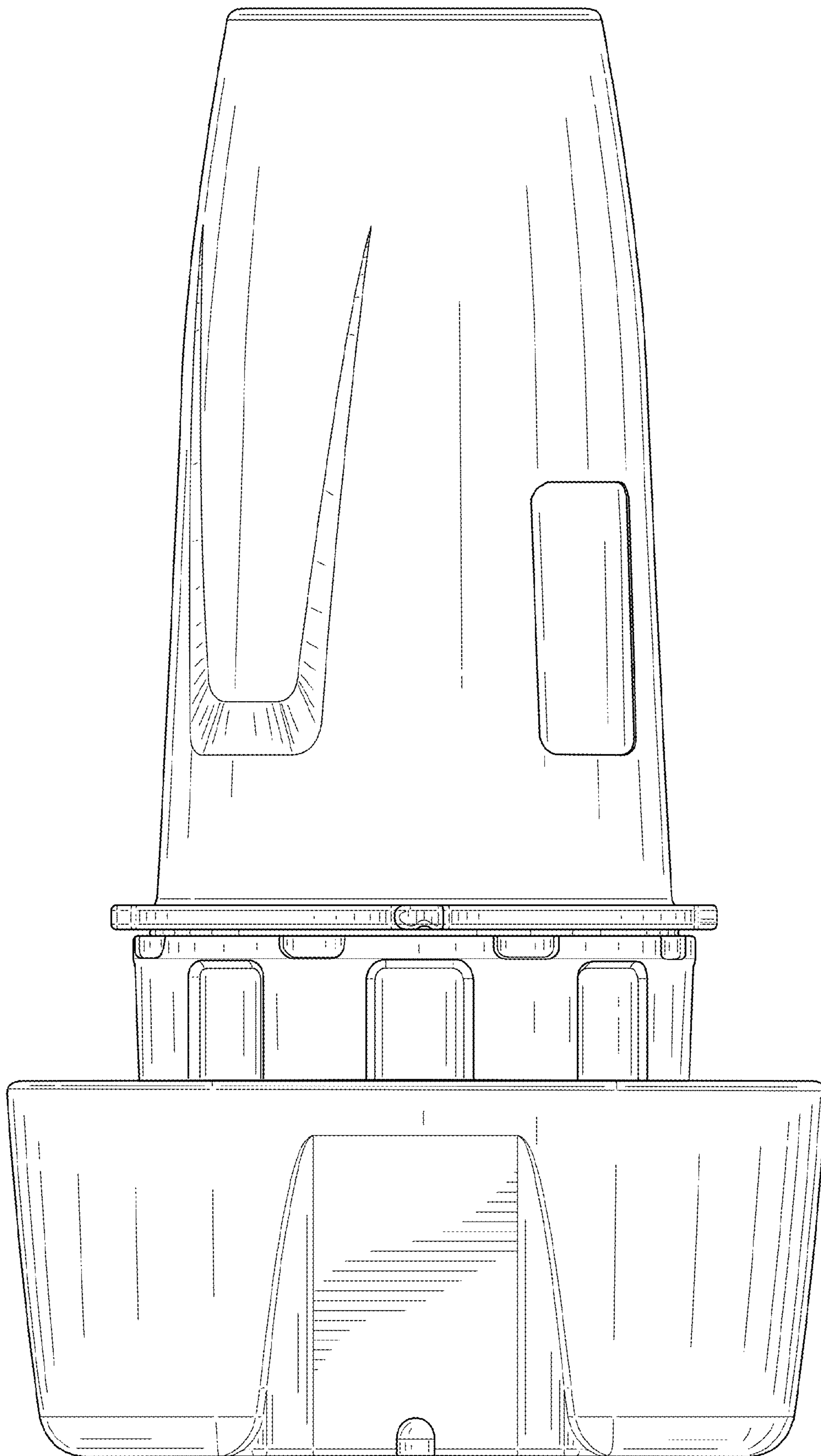


FIG. 5

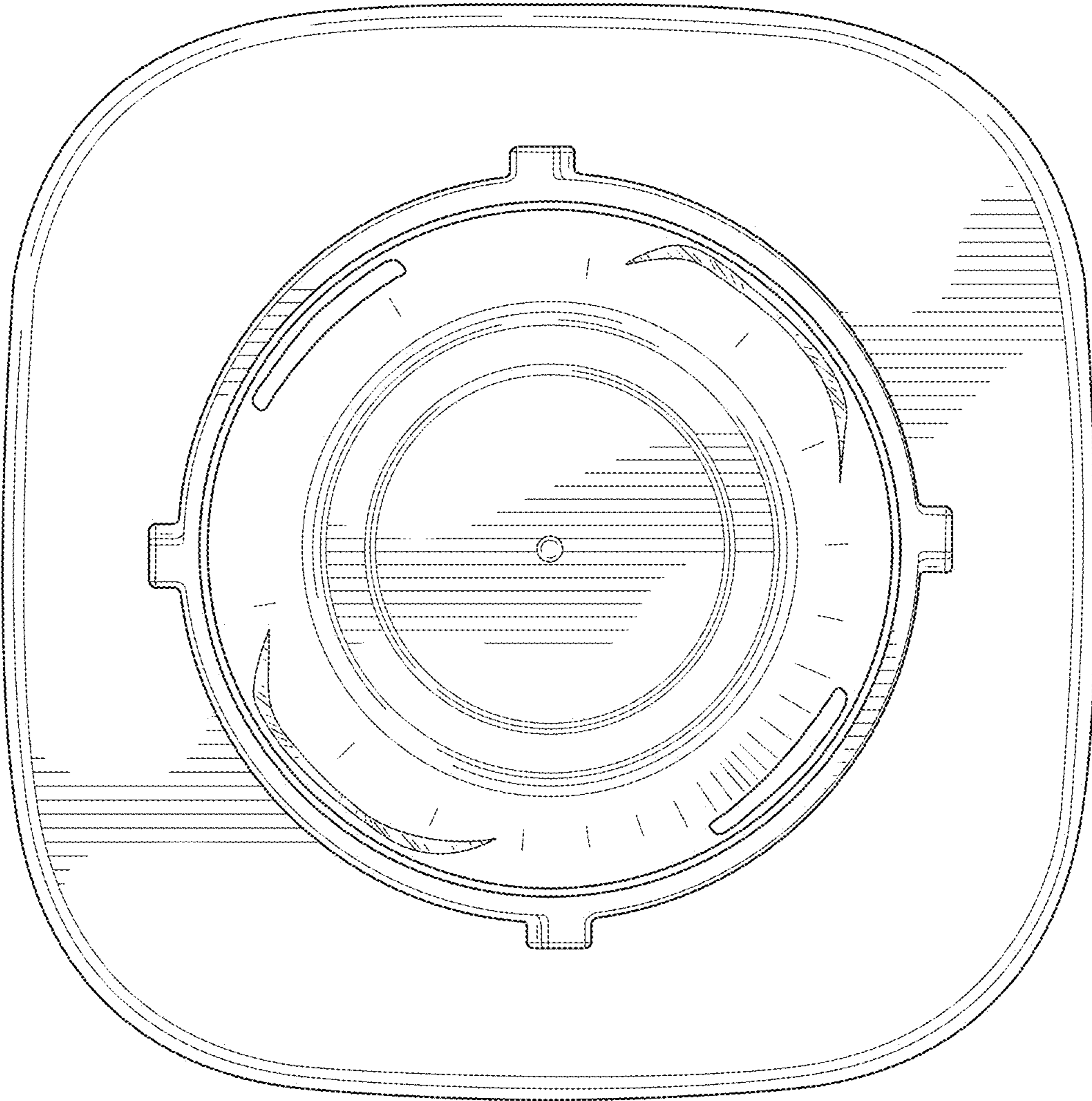


FIG. 6



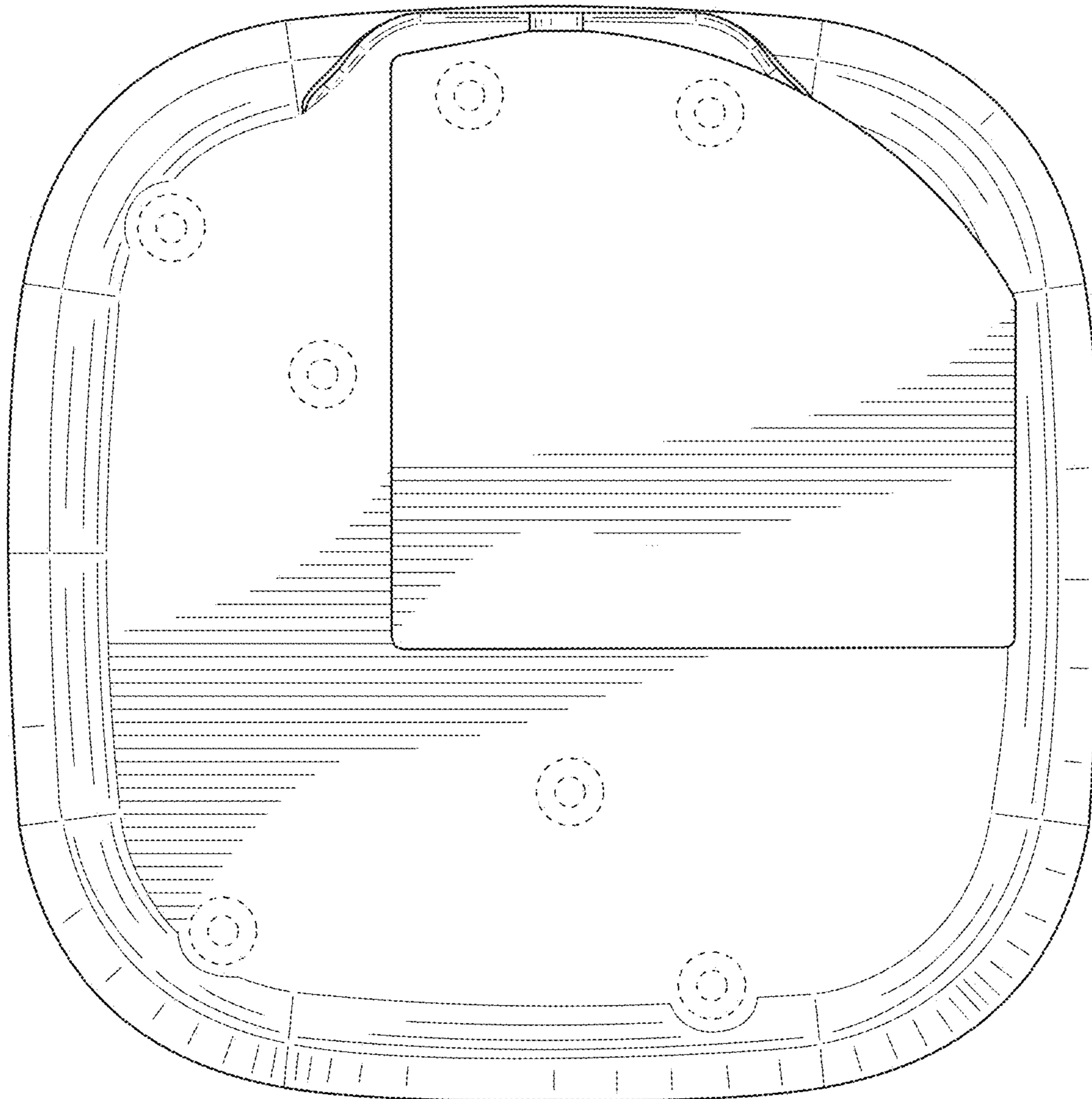


FIG. 7