



US00D913031S

(12) **United States Design Patent**
Chen

(10) **Patent No.:** **US D913,031 S**

(45) **Date of Patent:** **** Mar. 16, 2021**

(54) **COOKING APPLIANCE**

(71) Applicant: **Hsien-Chen Chen**, New Taipei (TW)

(72) Inventor: **Hsien-Chen Chen**, New Taipei (TW)

(**) Term: **15 Years**

(21) Appl. No.: **29/705,174**

(22) Filed: **Sep. 10, 2019**

(51) **LOC (13) Cl.** **07-02**

(52) **U.S. Cl.**

USPC **D7/357**

(58) **Field of Classification Search**

USPC D7/323, 352, 354, 355, 356, 357, 358,
D7/359, 360, 361, 362, 363, 364, 365,
D7/366, 402, 409, 753; D3/304;
D9/736, 749, 755, 758, 759, 748;
D1/105, 124

CPC .. A21B 3/00; A21B 3/13; A21B 3/131; A21B
3/132; A21B 3/135; A21B 3/136; A21B
3/137; A21B 3/15; A21B 5/00; A21B
5/02; A21B 5/04; A47J 36/00; A47J
36/02; A47J 36/06; A47J 36/16; A47J
36/24; A47J 36/022; A47J 36/027; A47J
37/00; A47J 37/01; A47J 37/04; A47J
37/06; A47J 37/10; A47J 37/07; A47J
37/0781; A47J 37/0658; A47J 43/20

See application file for complete search history.

(56) **References Cited**

U.S. PATENT DOCUMENTS

4,529,464	A	*	7/1985	Jones	B29C 51/162 156/244.11
D292,473	S	*	10/1987	Fisher	D13/112
D484,364	S	*	12/2003	Bailey	D7/357
D519,278	S	*	4/2006	Boerma	D3/304
D557,047	S	*	12/2007	Dretzka	D3/304
D590,596	S	*	4/2009	Dretzka	D3/304
D602,693	S	*	10/2009	McClees	D3/304
D749,351	S	*	2/2016	Chen	D7/354

D777,435	S	*	1/2017	Hecht	D3/307
D792,211	S	*	7/2017	Foster	D9/425
D828,076	S	*	9/2018	Chen	D7/357
D840,232	S	*	2/2019	Sill	D9/456
D840,741	S	*	2/2019	Chen	D7/357
D840,742	S	*	2/2019	Chen	D7/357
D840,743	S	*	2/2019	Chen	D7/357
D862,153	S	*	10/2019	Chen	D7/357
D871,921	S	*	1/2020	Troudt	D9/737
D873,067	S	*	1/2020	Chen	D7/357
D877,511	S	*	3/2020	Chiang	D3/304

(Continued)

OTHER PUBLICATIONS

The Best Meal Prep Containers by Size, Type & Use, announced Feb. 14, 2019 [online], retrieved Aug. 14, 2020, retrieved from internet, <https://projectmealplan.com/best-meal-prep-containers/>.*

Primary Examiner — Dana K Weiland

Assistant Examiner — Messina L Smith

(74) *Attorney, Agent, or Firm* — WPAT, PC

(57)

CLAIM

The ornamental design for a cooking appliance, as shown and described.

DESCRIPTION

FIG. 1 is a front perspective view of a cooking appliance showing my new design;

FIG. 2 is a rear perspective view thereof;

FIG. 3 is a front elevation view thereof;

FIG. 4 is a rear elevation view thereof;

FIG. 5 is a left side elevation view thereof;

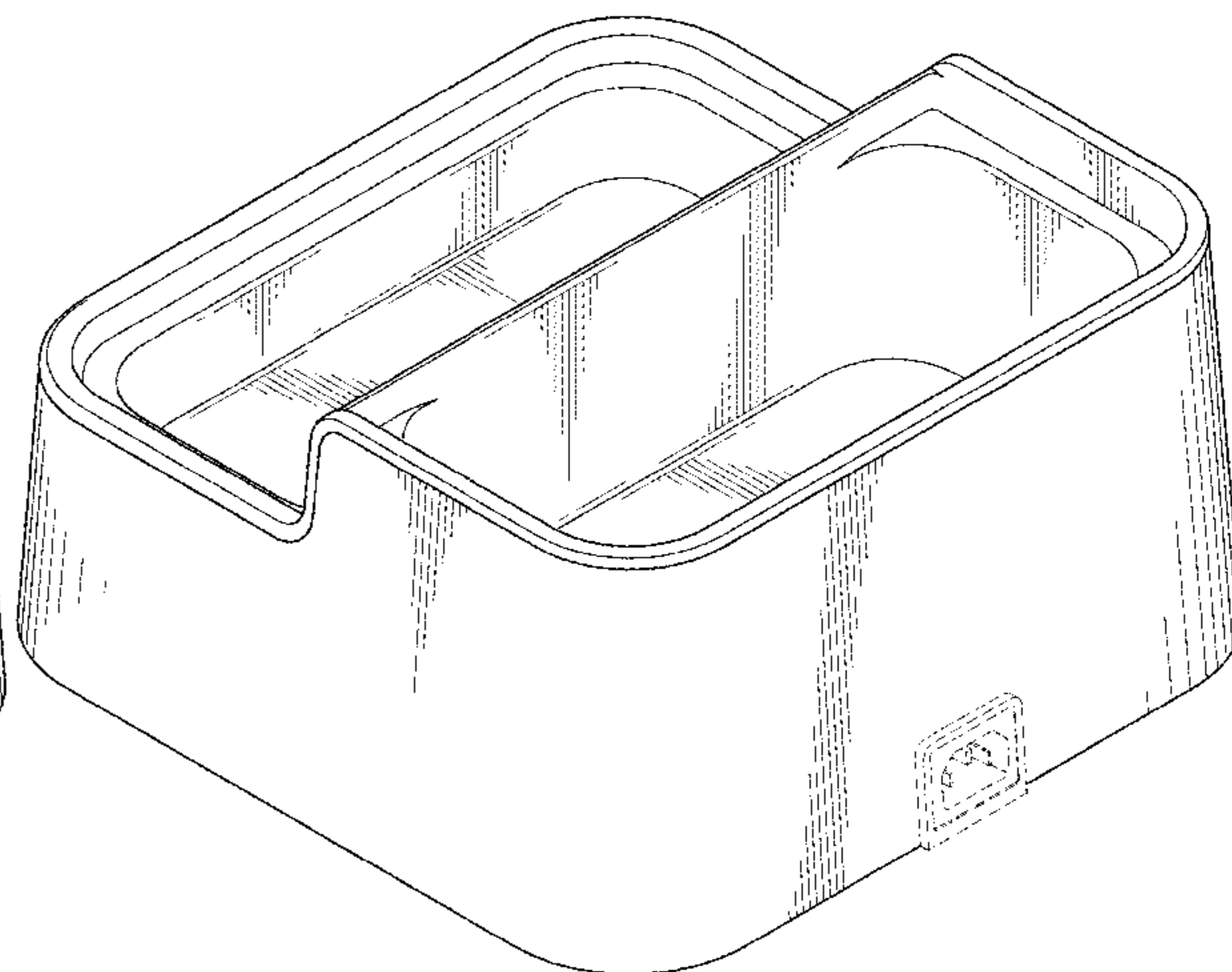
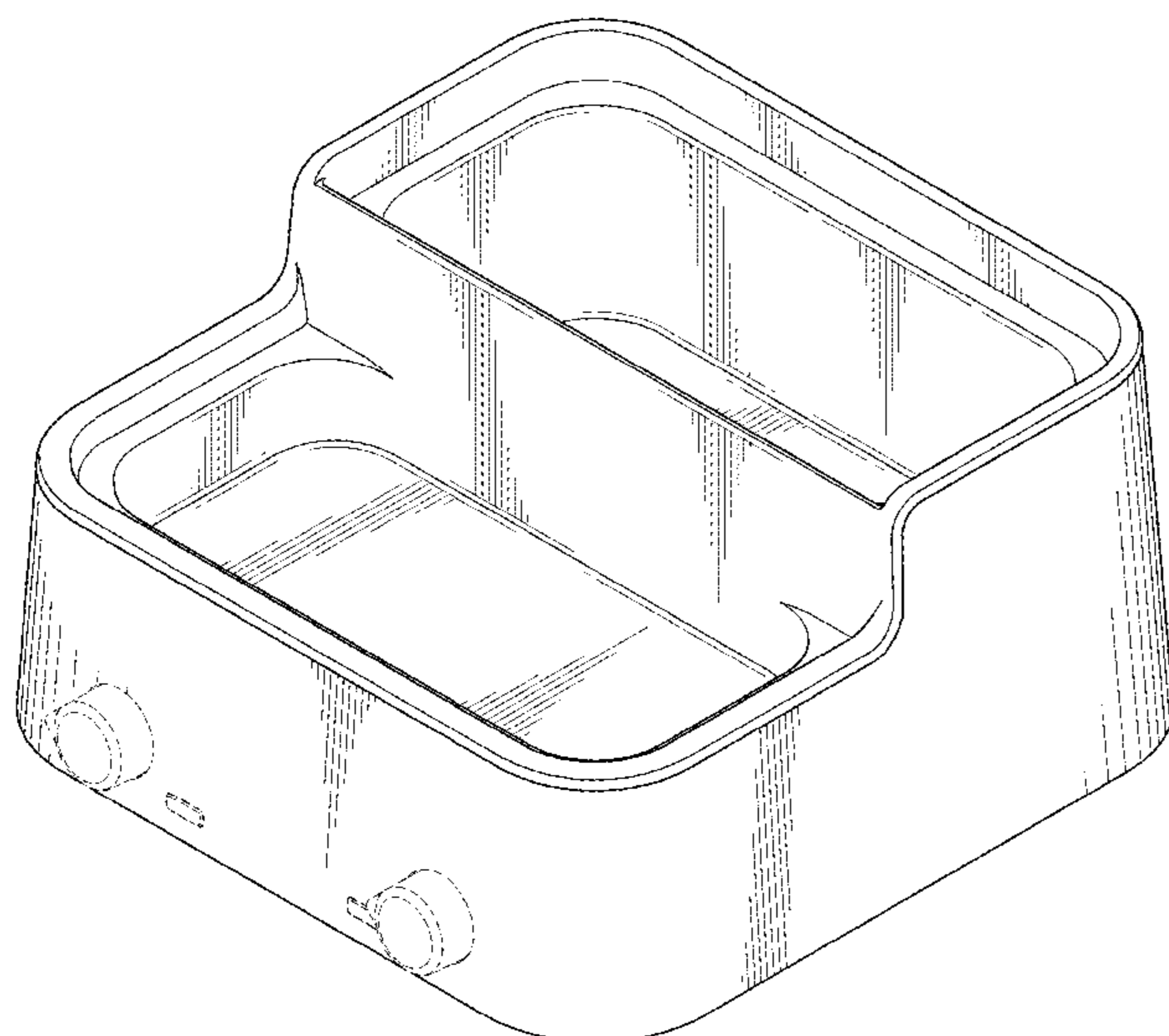
FIG. 6 is a right side elevation view thereof;

FIG. 7 is a top plan view thereof; and,

FIG. 8 is a bottom plan view thereof.

The broken lines shown in the drawings depict portions of the cooking appliance that form no part of the claimed design.

1 Claim, 8 Drawing Sheets



(56)

References Cited

U.S. PATENT DOCUMENTS

D877,555 S * 3/2020 McGinnis D7/354
D885,187 S * 5/2020 Sill D9/456
D891,940 S * 8/2020 Szymanski D9/749

* cited by examiner

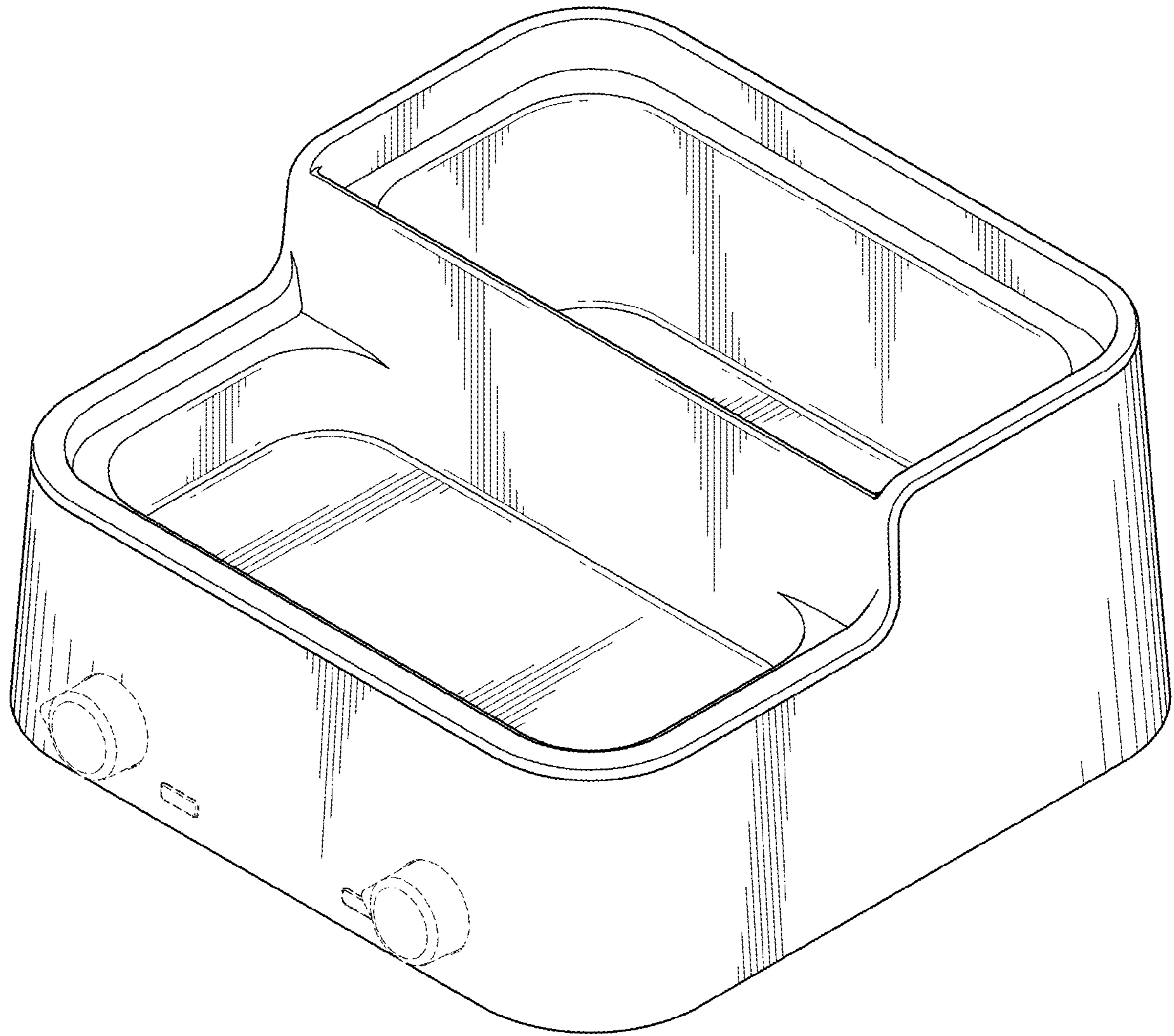


FIG. 1

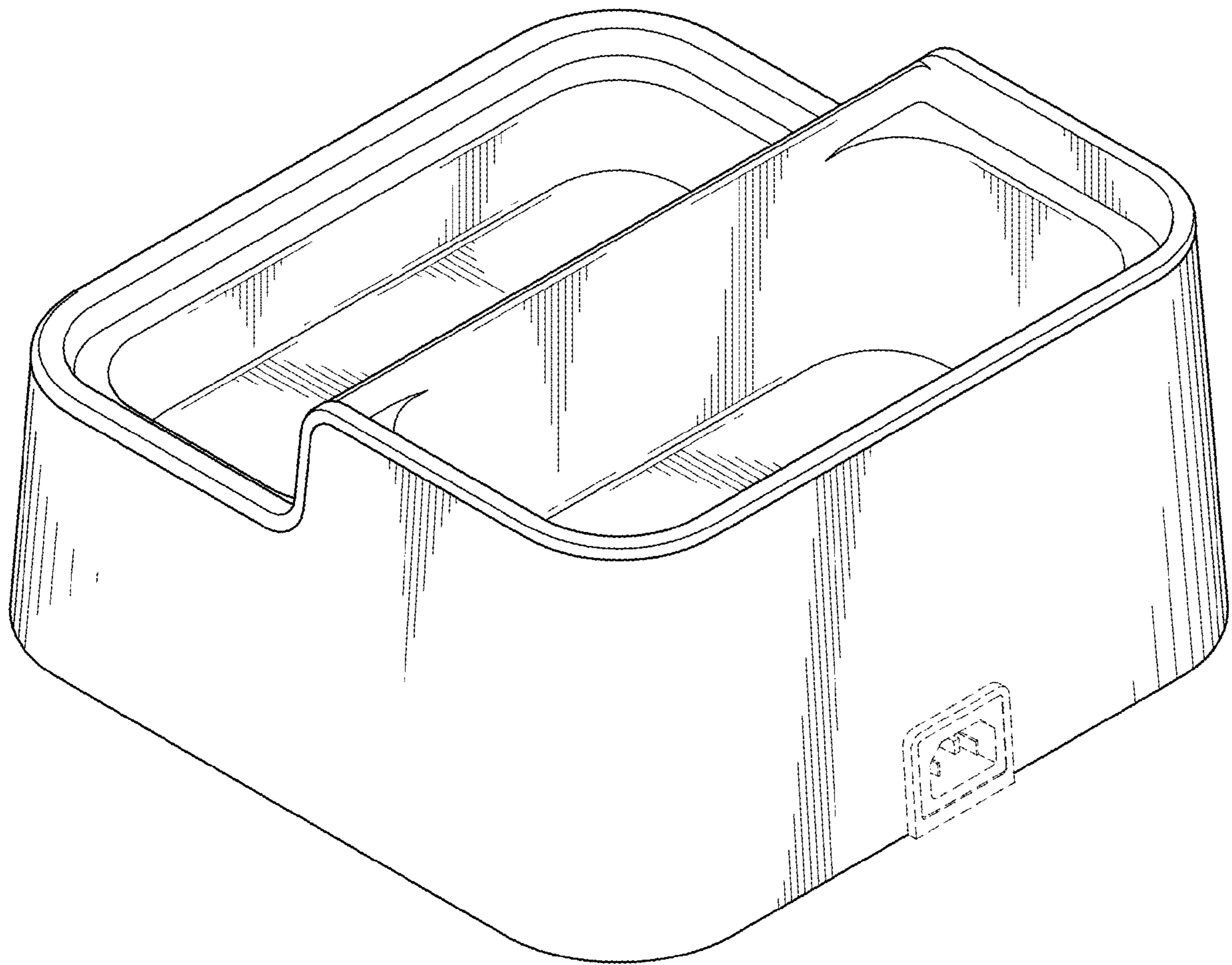


FIG. 2

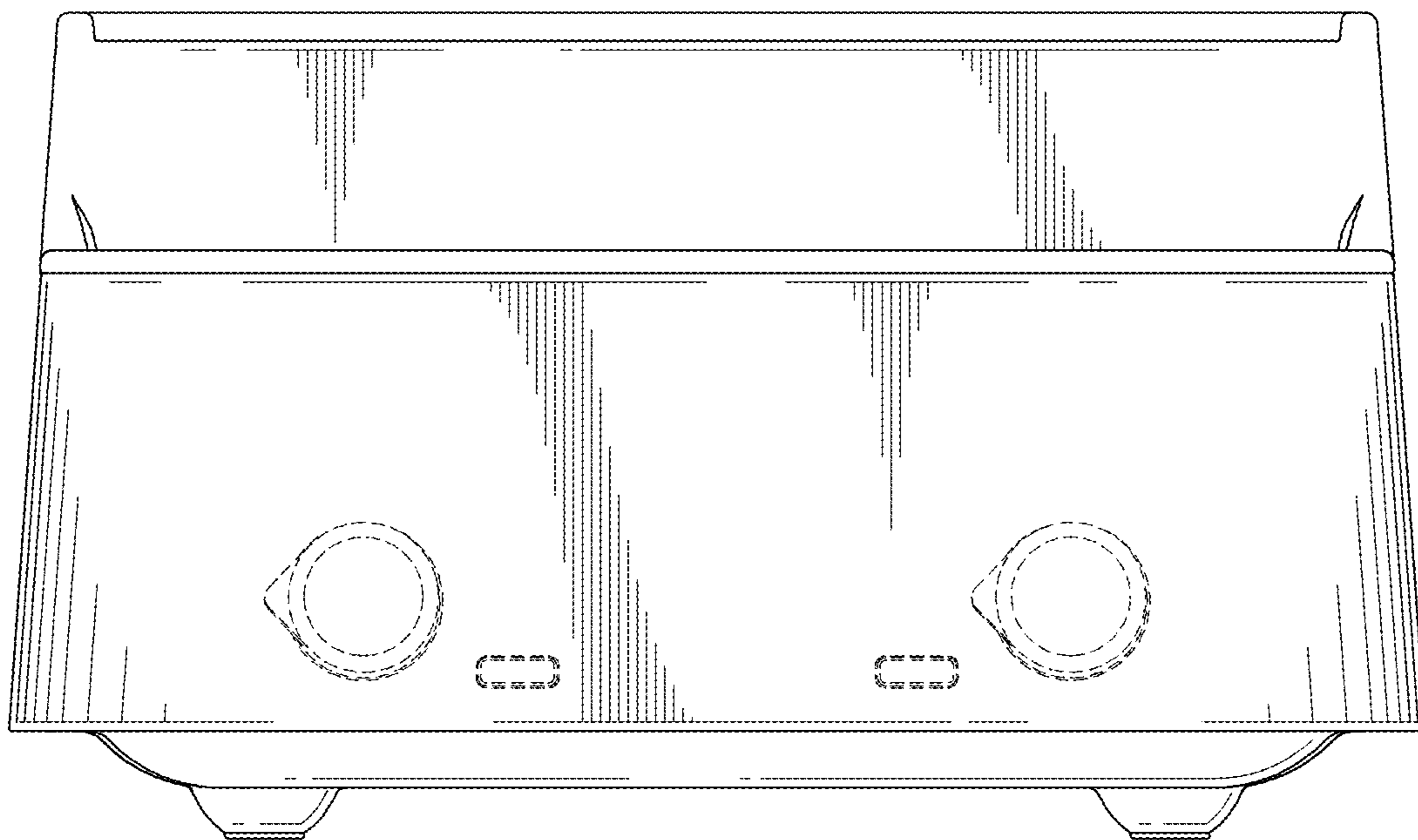


FIG. 3

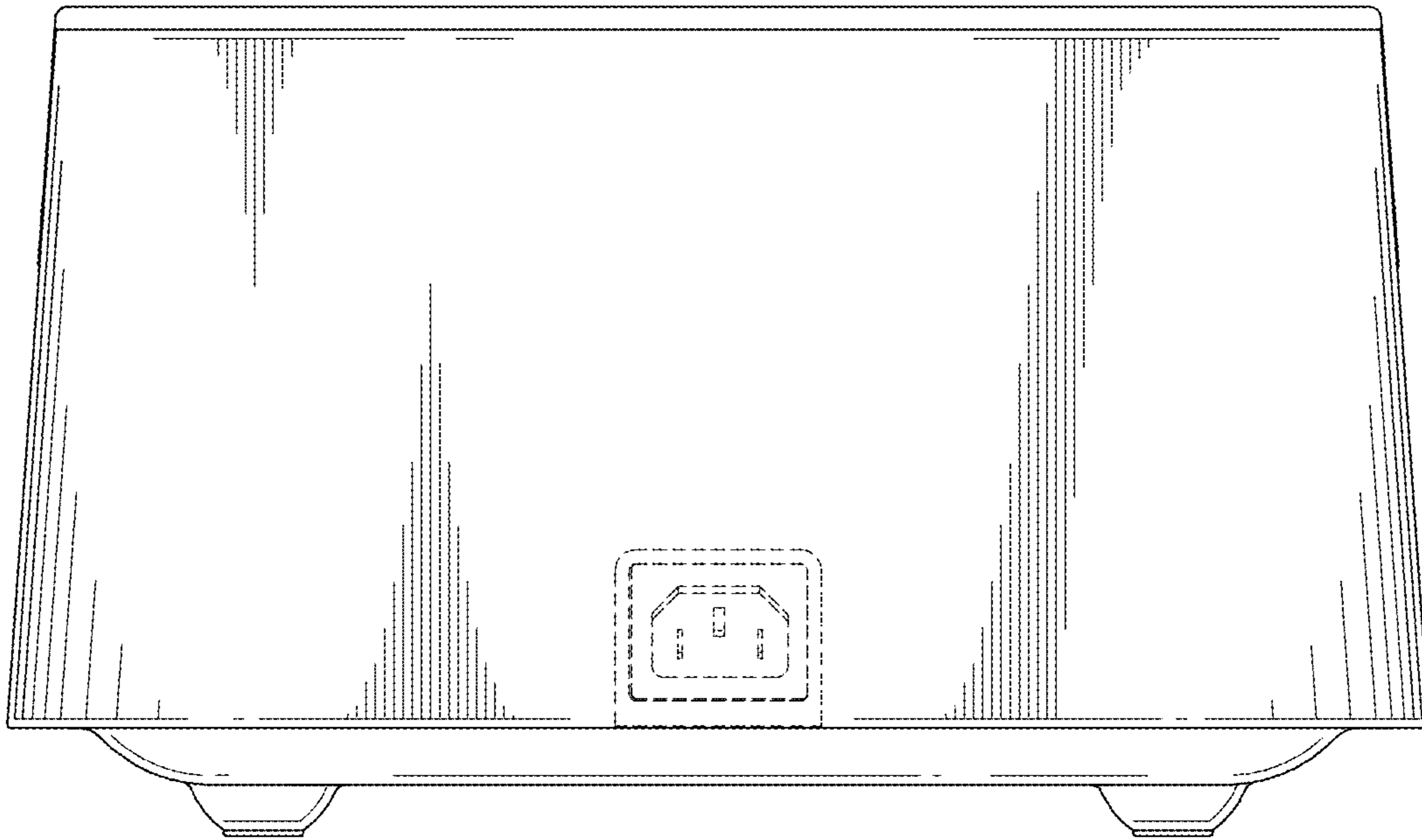


FIG. 4

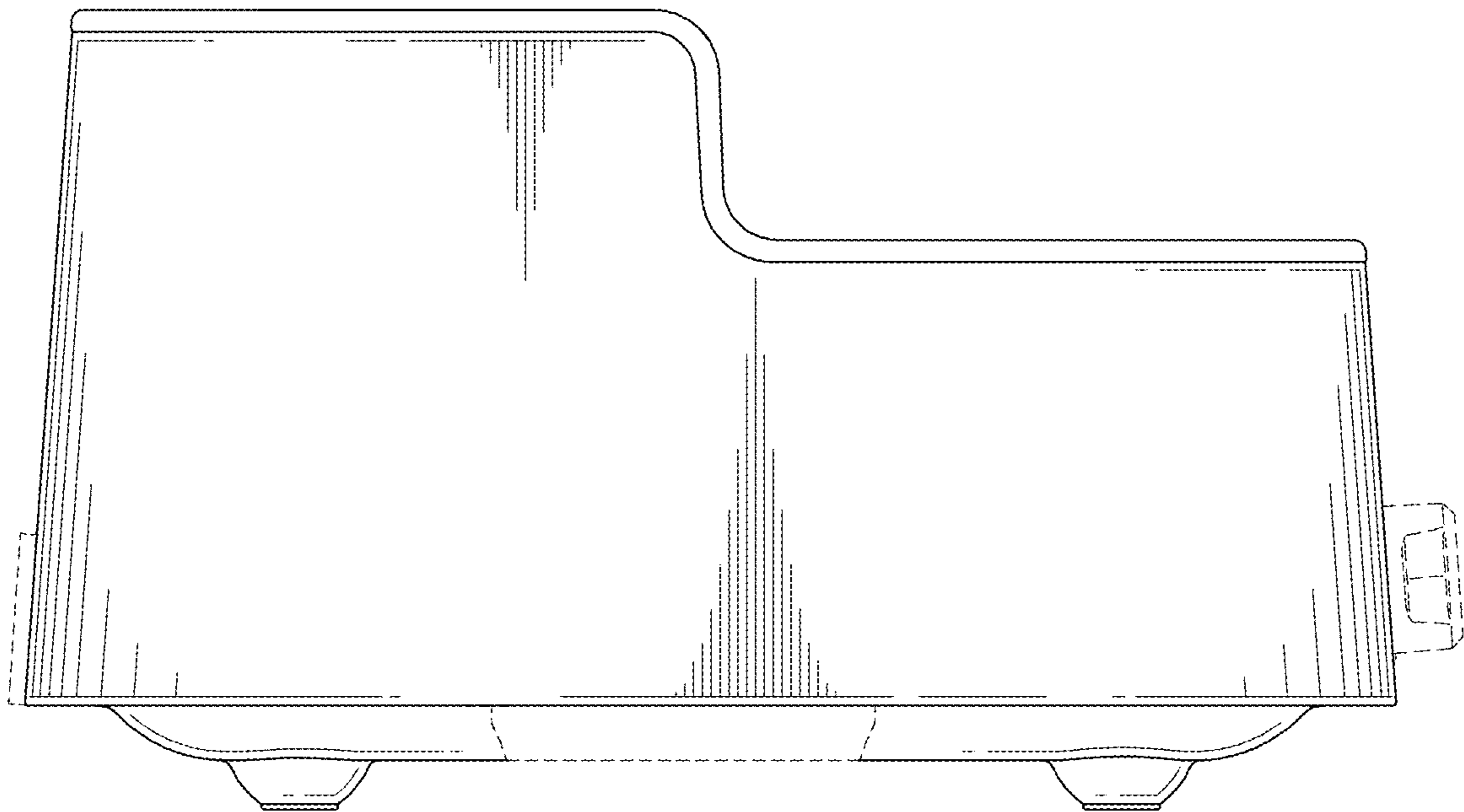


FIG. 5

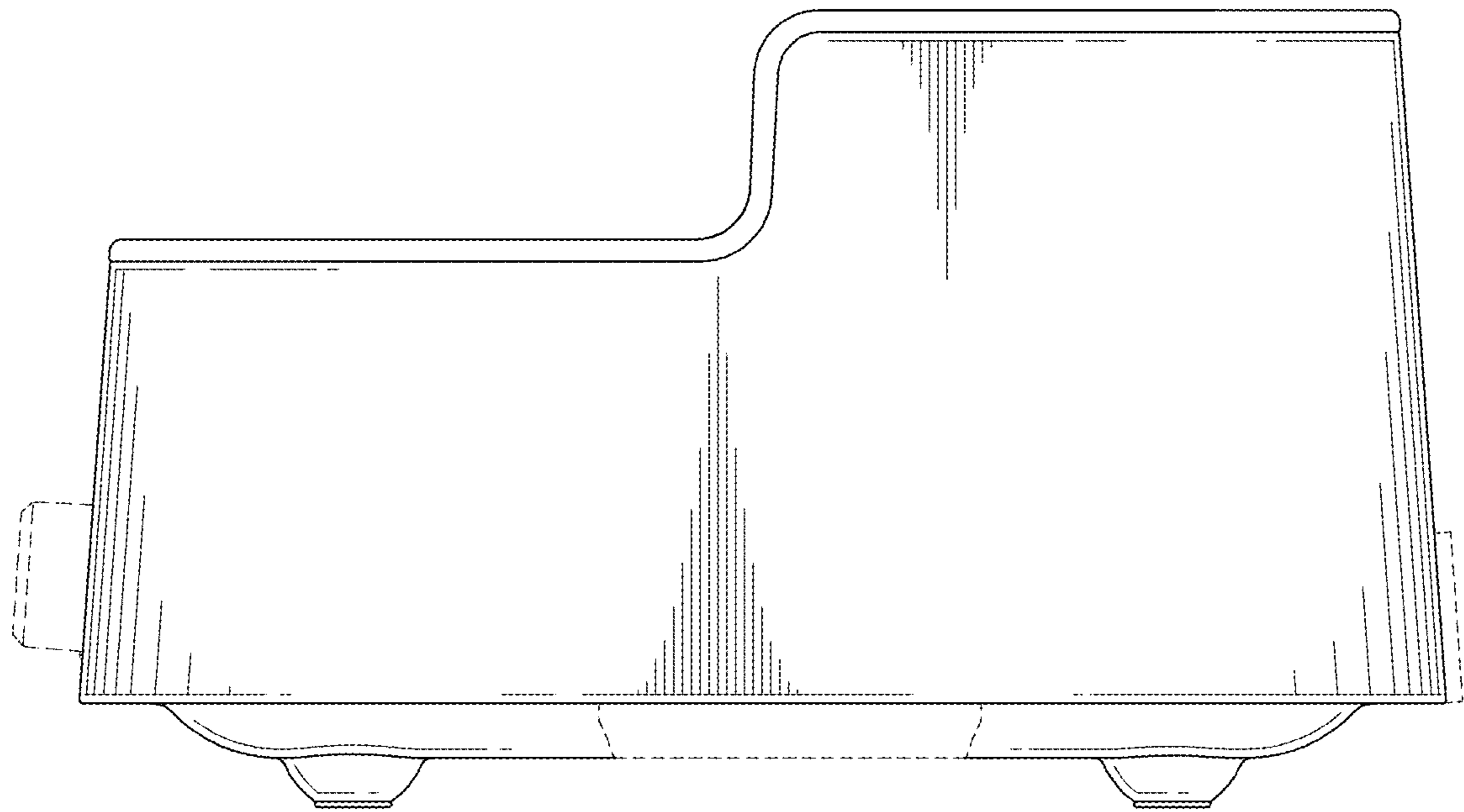


FIG. 6

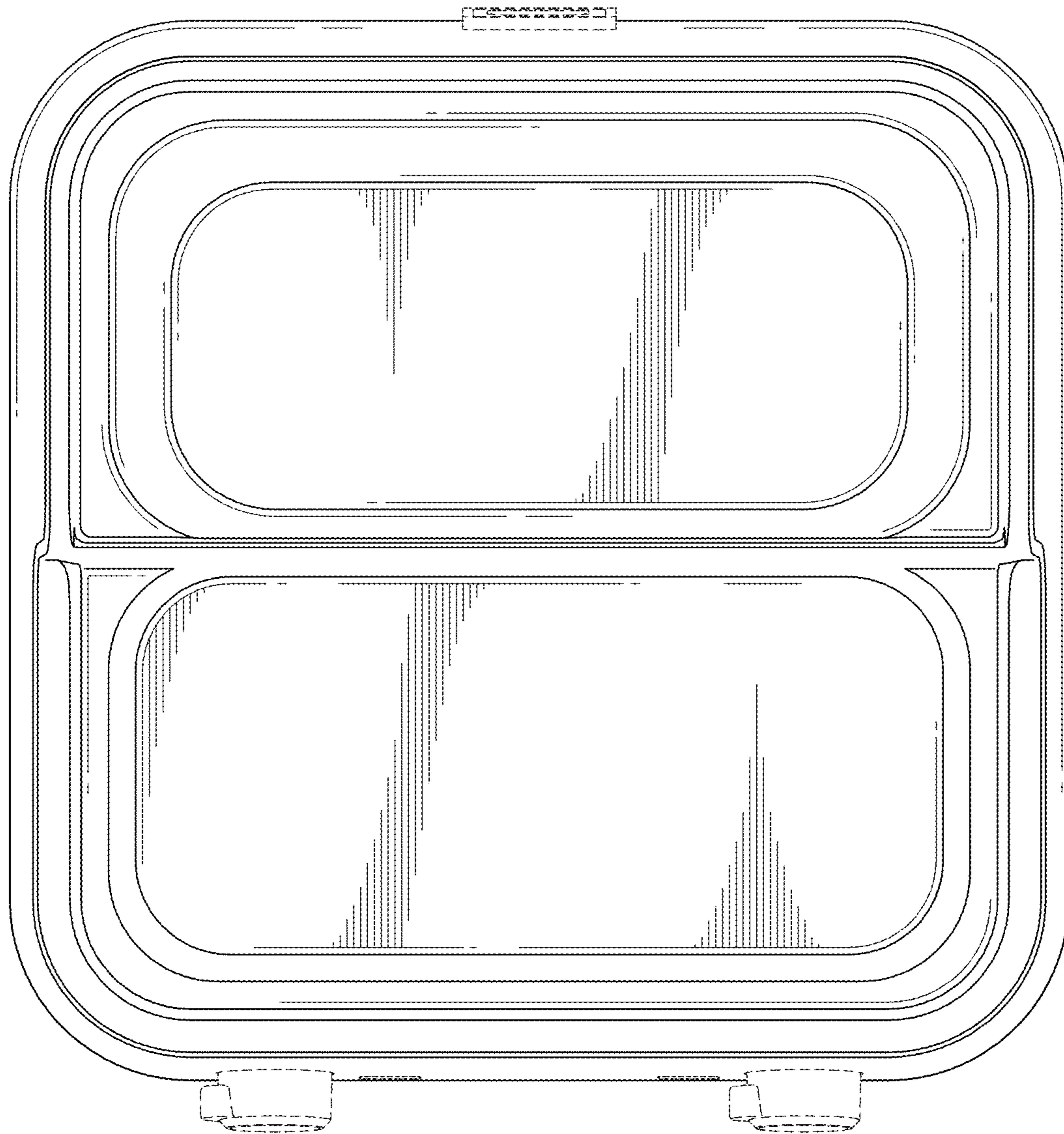


FIG. 7

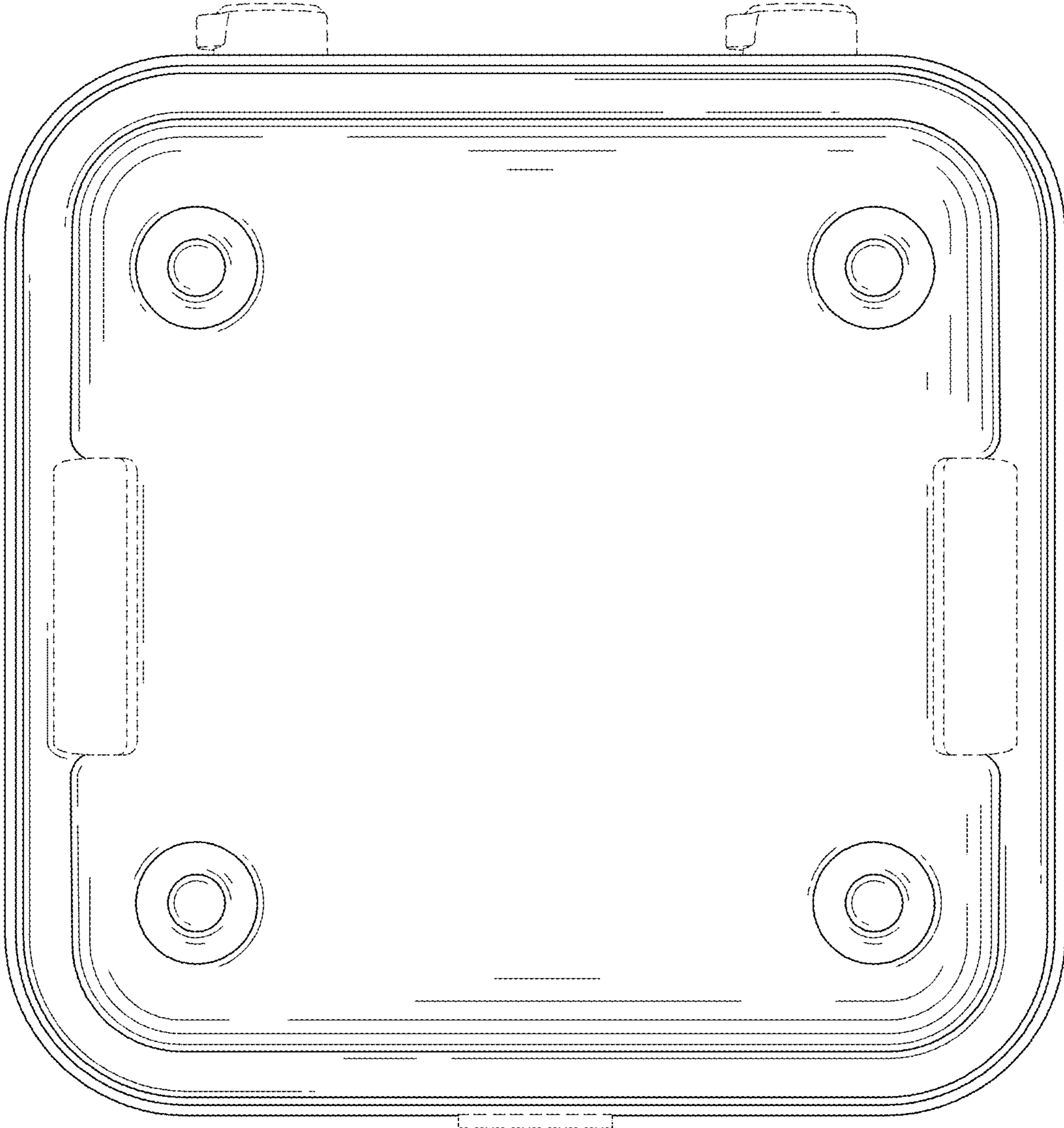


FIG. 8