



US00D913030S

(12) **United States Design Patent**
Hollinger

(10) **Patent No.:** **US D913,030 S**

(45) **Date of Patent:** **** *Mar. 16, 2021**

(54) **STACKABLE PIECE OF COOKWARE**

(71) Applicant: **E. MISHAN & SONS, INC.**, New York, NY (US)

(72) Inventor: **Fred Hollinger**, Monroe Township, NJ (US)

(73) Assignee: **E. Mishan & Sons, Inc.**, New York, NY (US)

(*) Notice: This patent is subject to a terminal disclaimer.

(**) Term: **15 Years**

(21) Appl. No.: **29/751,808**

(22) Filed: **Sep. 23, 2020**

Related U.S. Application Data

(63) Continuation of application No. 29/700,580, filed on Aug. 2, 2019, now Pat. No. Des. 904,112.

(51) **LOC (13) Cl.** **07-02**

(52) **U.S. Cl.**
USPC **D7/354; D7/360; D7/361**

(58) **Field of Classification Search**
USPC D7/323, 354-363, 391, 393-396, 409
CPC A47G 19/12; A47J 27/00; A47J 27/002;
A47J 27/08; A47J 27/21; A47J 27/58;
A47J 36/025; A47J 36/06; A47J 36/12;
A47J 37/00; A47J 37/10; A47J 37/101;
A47J 37/103; A47J 37/12; A47J 37/1204;
A47J 45/061; A47J 45/071; A47J 45/08;
H05B 6/12

See application file for complete search history.

(56) **References Cited**

U.S. PATENT DOCUMENTS

1,268,017 A 5/1918 Knight
2,037,807 A 4/1936 Lockwood

2,058,807 A 10/1936 Lockwood
2,116,487 A 5/1938 J G Jackson
2,116,489 A 5/1938 J G Jackson
2,199,687 A 5/1940 Blankenship
2,222,584 A 11/1940 Oltman
2,624,487 A 1/1953 Fry
D199,747 S * 12/1964 Farber D7/354
3,641,920 A 2/1972 Kraft et al.
4,204,609 A 5/1980 Kuhn
5,253,758 A 10/1993 Bissell, II
D349,420 S 8/1994 Hasuike
D358,062 S 5/1995 Hasuike

(Continued)

FOREIGN PATENT DOCUMENTS

AU 503645 1/1978
AU 41207/78 10/1978

(Continued)

Primary Examiner — Ricky Pham

(74) *Attorney, Agent, or Firm* — Notaro, Michalos & Zaccaria P.C.

(57) **CLAIM**

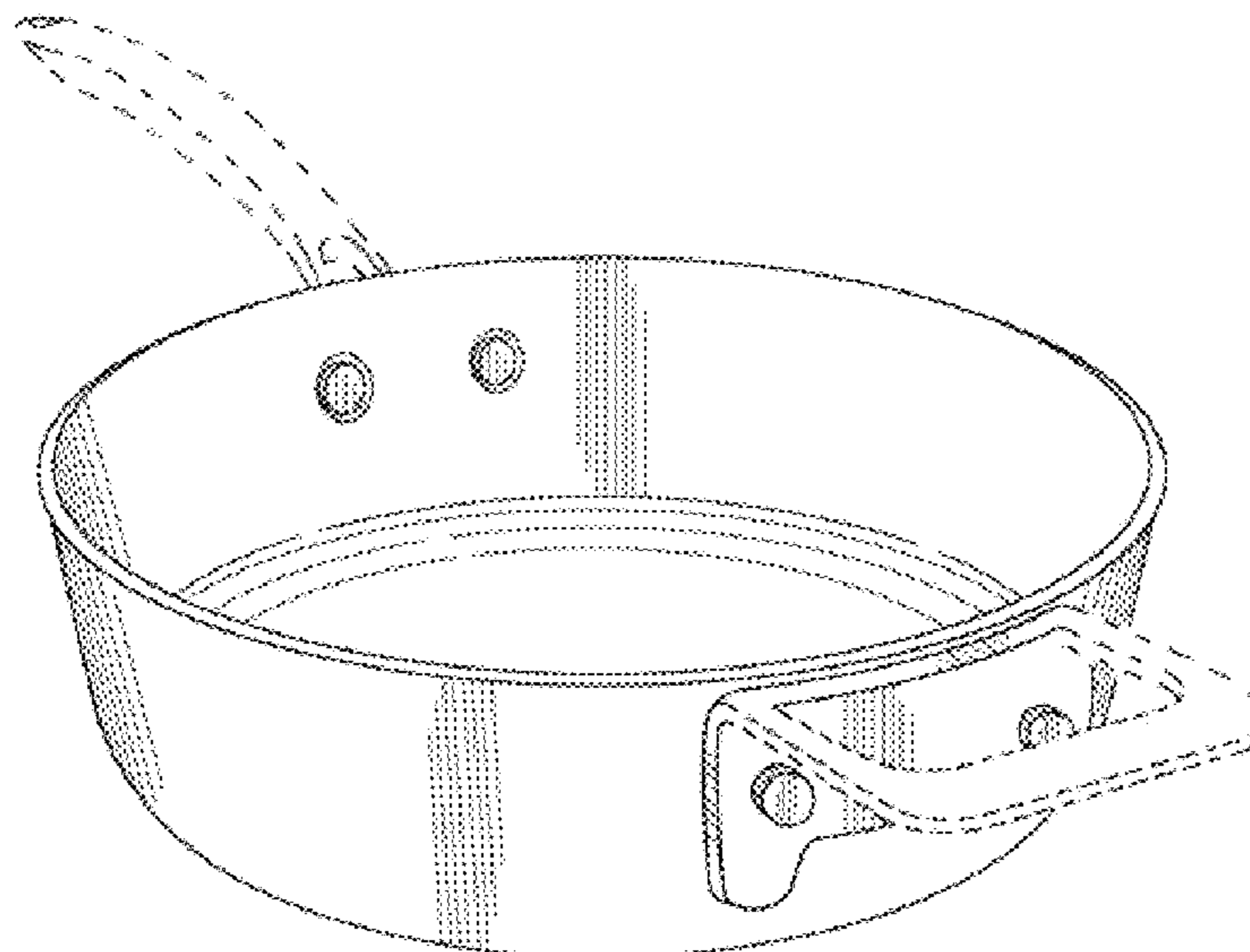
The ornamental design for a stackable piece of cookware, as shown and described.

DESCRIPTION

FIG. 1 is a top, rear, right perspective view showing my design therefor;
FIG. 2 is a front, top perspective view thereof;
FIG. 3 is a right side elevational view thereof;
FIG. 4 is a rear elevational view thereof;
FIG. 5 is a front elevational view thereof;
FIG. 6 is a top plan view thereof;
FIG. 7 is a bottom plan view thereof; and,
FIG. 8 is a sectional view taken a long the line 8-8 of FIG. 3.

The broken lines are for the purpose of illustrating portions of the article that form no part of the claim.

1 Claim, 8 Drawing Sheets



(56)

References Cited

U.S. PATENT DOCUMENTS

6,237,775 B1 5/2001 Hatch et al.
 7,347,327 B2 3/2008 Lobman et al.
 D581,721 S * 12/2008 Rae D7/360
 D618,491 S * 6/2010 Welk D7/360
 D621,652 S * 8/2010 Dodane D7/354
 D639,109 S * 6/2011 Molayem D7/356
 D641,201 S * 7/2011 Molayem D7/356
 8,272,531 B2 9/2012 Cuillery et al.
 8,413,840 B2 4/2013 Metaxatos et al.
 9,139,926 B2 9/2015 Musil et al.
 D822,424 S * 7/2018 Ma D7/356
 D829,486 S * 10/2018 Mirchandani D7/354
 10,106,296 B2 * 10/2018 LePinske A47J 45/061
 10,486,857 B2 * 11/2019 Gossens A47J 27/002
 D879,545 S * 3/2020 Hollinger D7/360
 D880,222 S * 4/2020 Hollinger D7/361
 2003/0167932 A1 9/2003 Chen
 2009/0035433 A1 2/2009 France et al.
 2009/0049650 A1 2/2009 Cuillery et al.
 2009/0065509 A1 3/2009 Schuler
 2009/0095754 A1 4/2009 Liu
 2011/0056957 A1 3/2011 Cheng
 2013/0098920 A1 4/2013 Lee
 2013/0306646 A1 11/2013 Cheng
 2014/0224810 A1 8/2014 Bar-Akiva

2016/0010237 A1 1/2016 Musil et al.
 2016/0054049 A1 2/2016 Harvie
 2017/0238757 A1 8/2017 Hengel et al.
 2017/0247143 A1 8/2017 Gossens et al.
 2017/0290453 A1 10/2017 Pittman
 2018/0125281 A1 5/2018 Truong et al.
 2018/0271331 A1 9/2018 Lee
 2019/0142207 A1 * 5/2019 Hollinger A47J 27/002
 220/573.1

FOREIGN PATENT DOCUMENTS

CA 1255240 A 6/1989
 DE 8615346 U1 11/1987
 DE 4330653 A1 10/1994
 DE 40008484-0004 11/2000
 DE 40008484-0022 11/2000
 DE 40200009-0006 2/2002
 DE 40200009-0008 2/2002
 DE 40200009-0009 2/2002
 DE 40502400-0010 8/2005
 DE 102009023000 A1 12/2010
 EM 003742733-0006 2/2017
 EP 0734672 A1 10/1996
 EP 3210503 A1 2/2017
 WO 2006100367 A1 9/2006

* cited by examiner

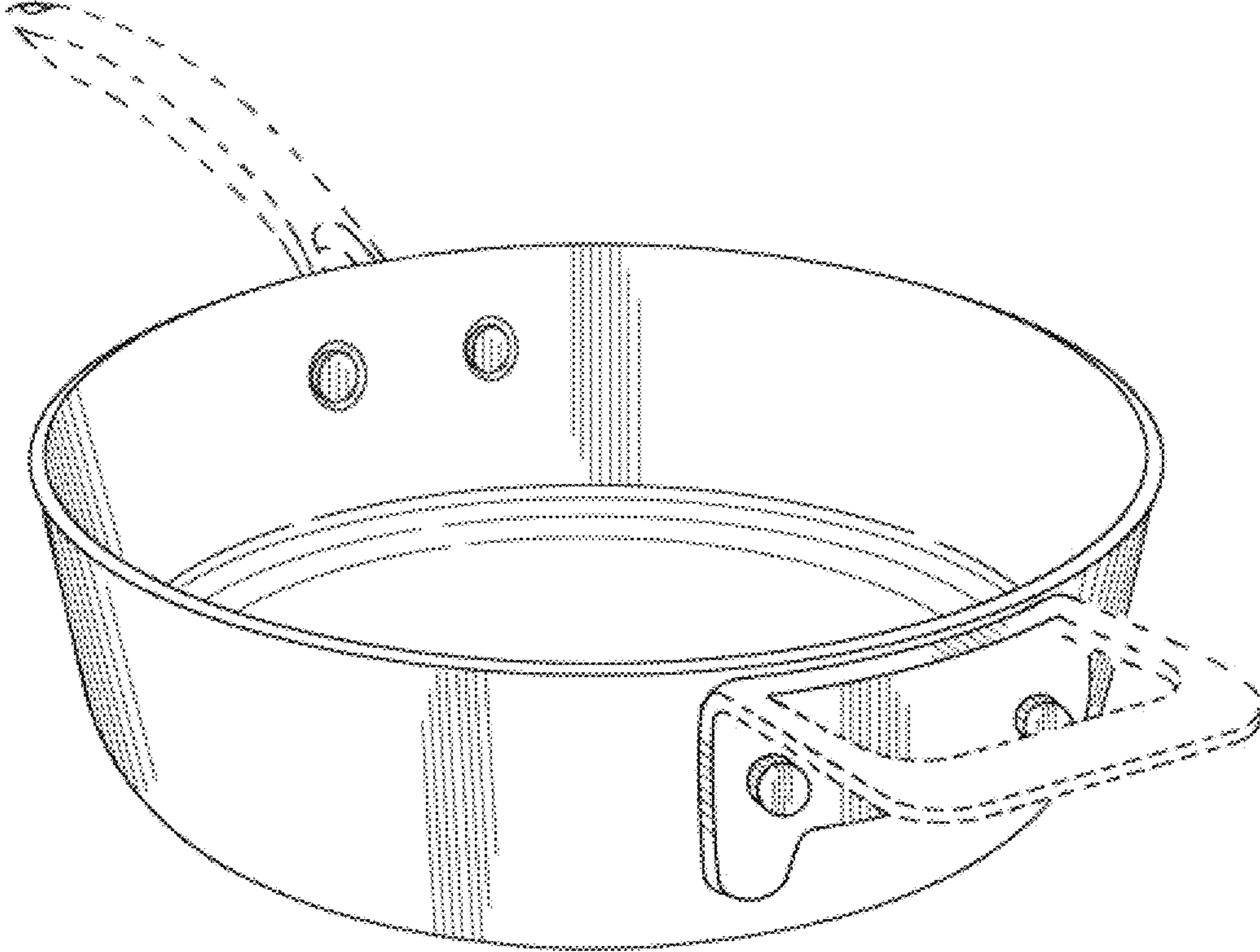


Fig. 1

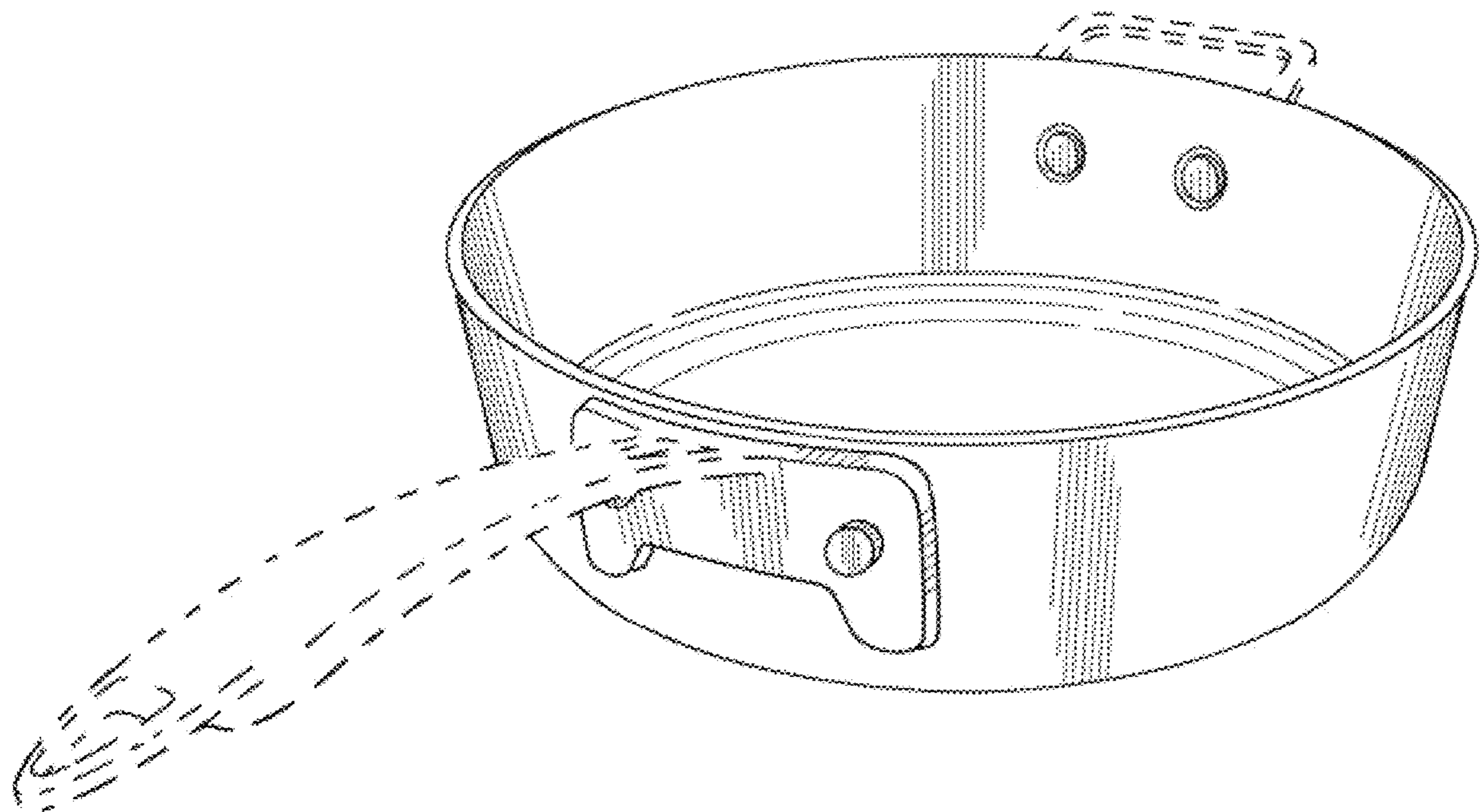


Fig. 2

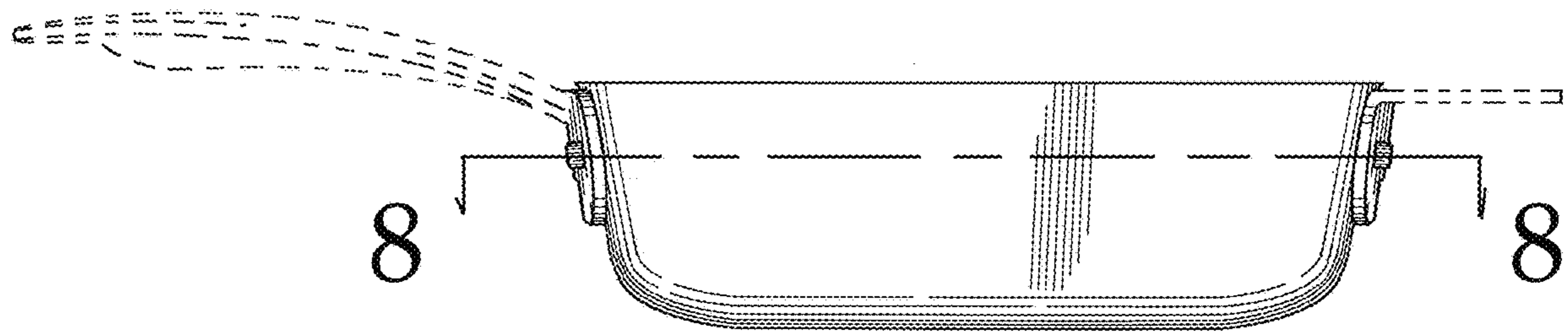


Fig.3

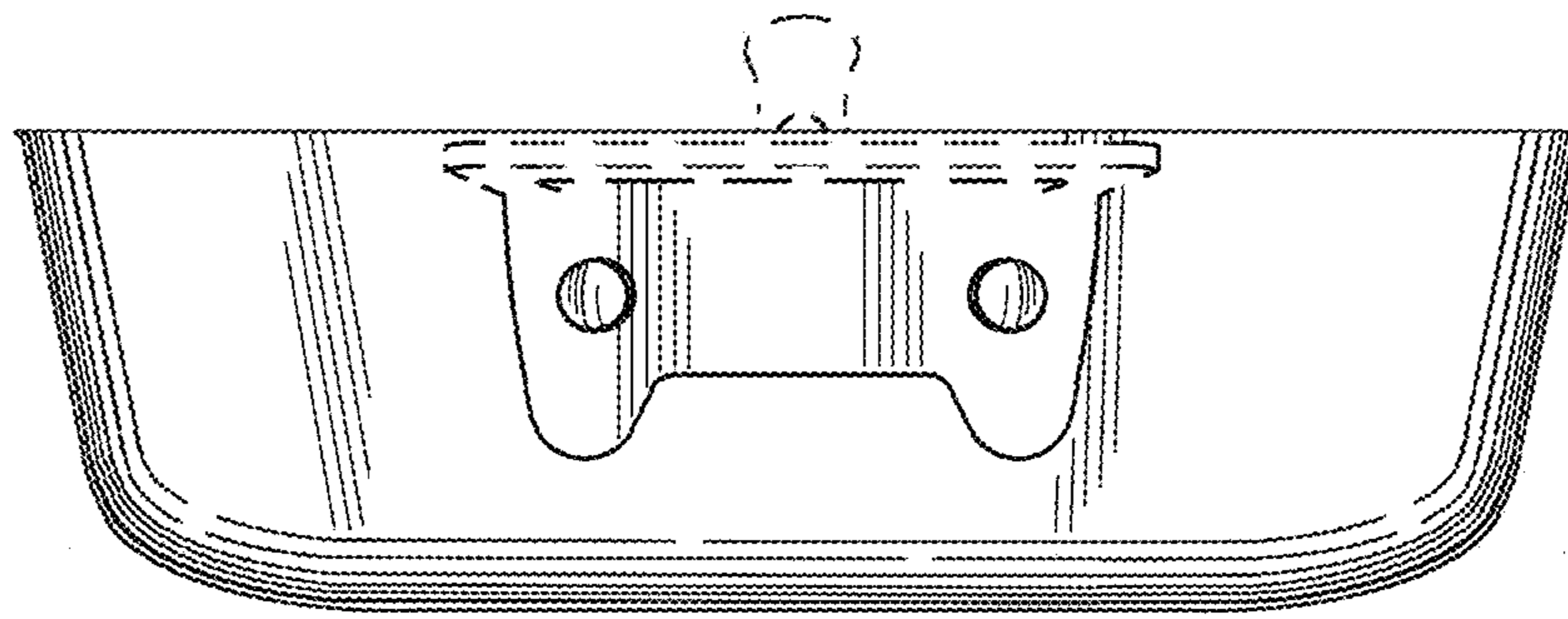


Fig.4

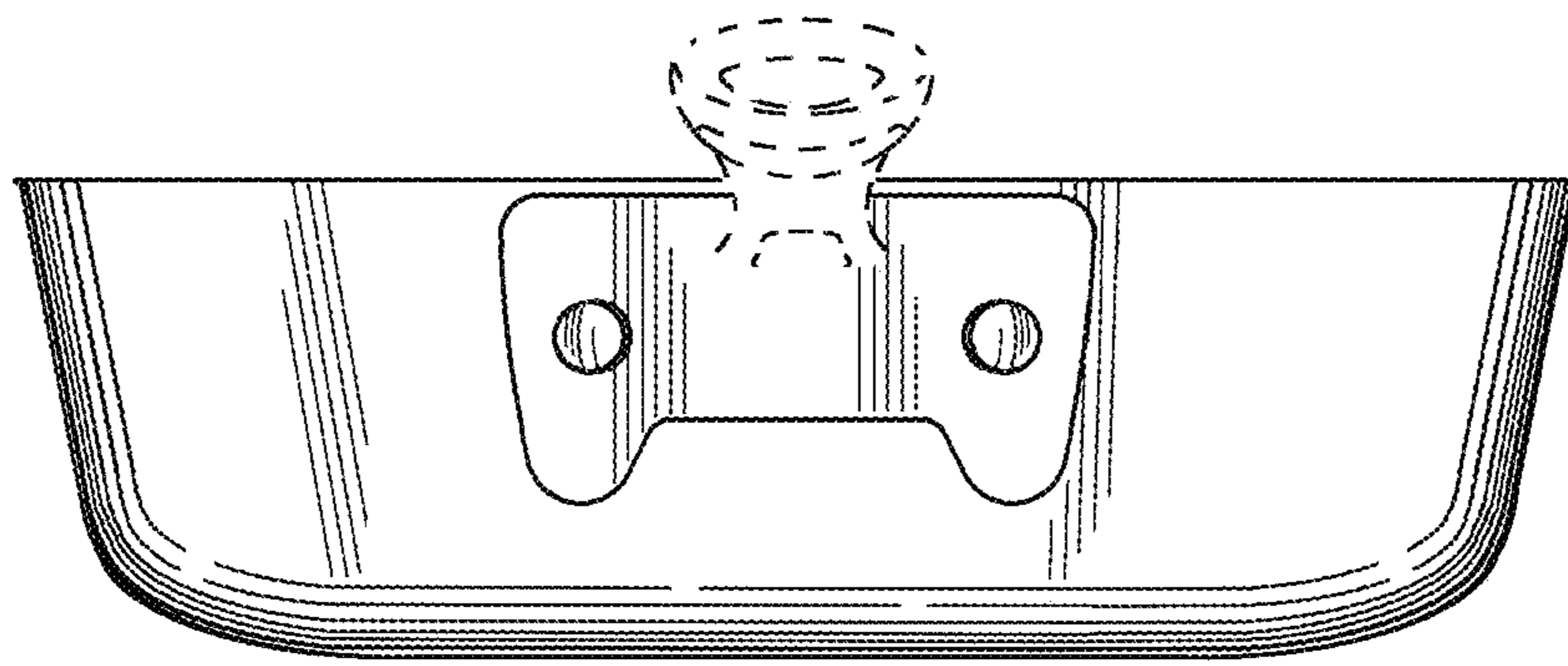


Fig. 5

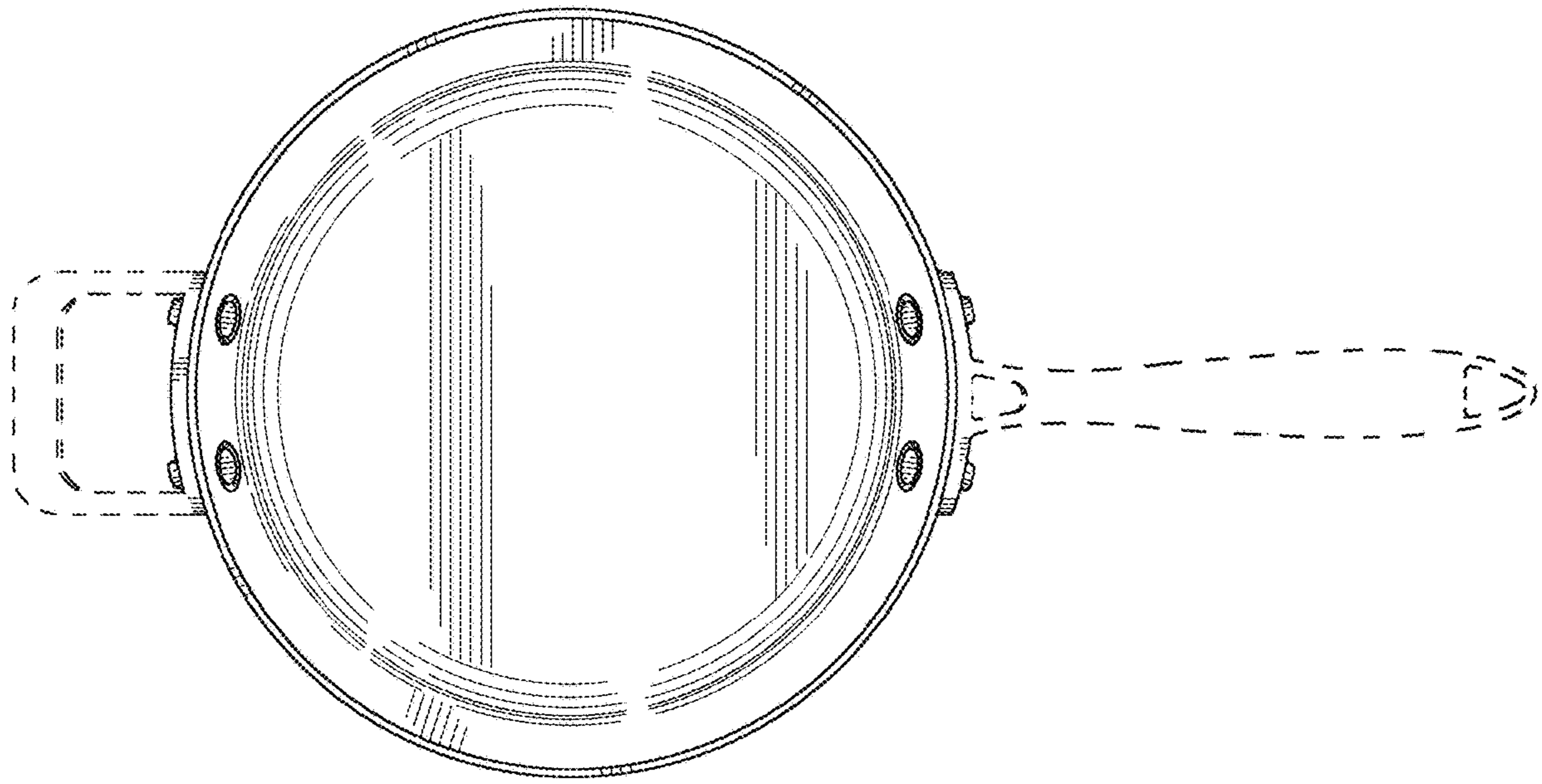


Fig. 6

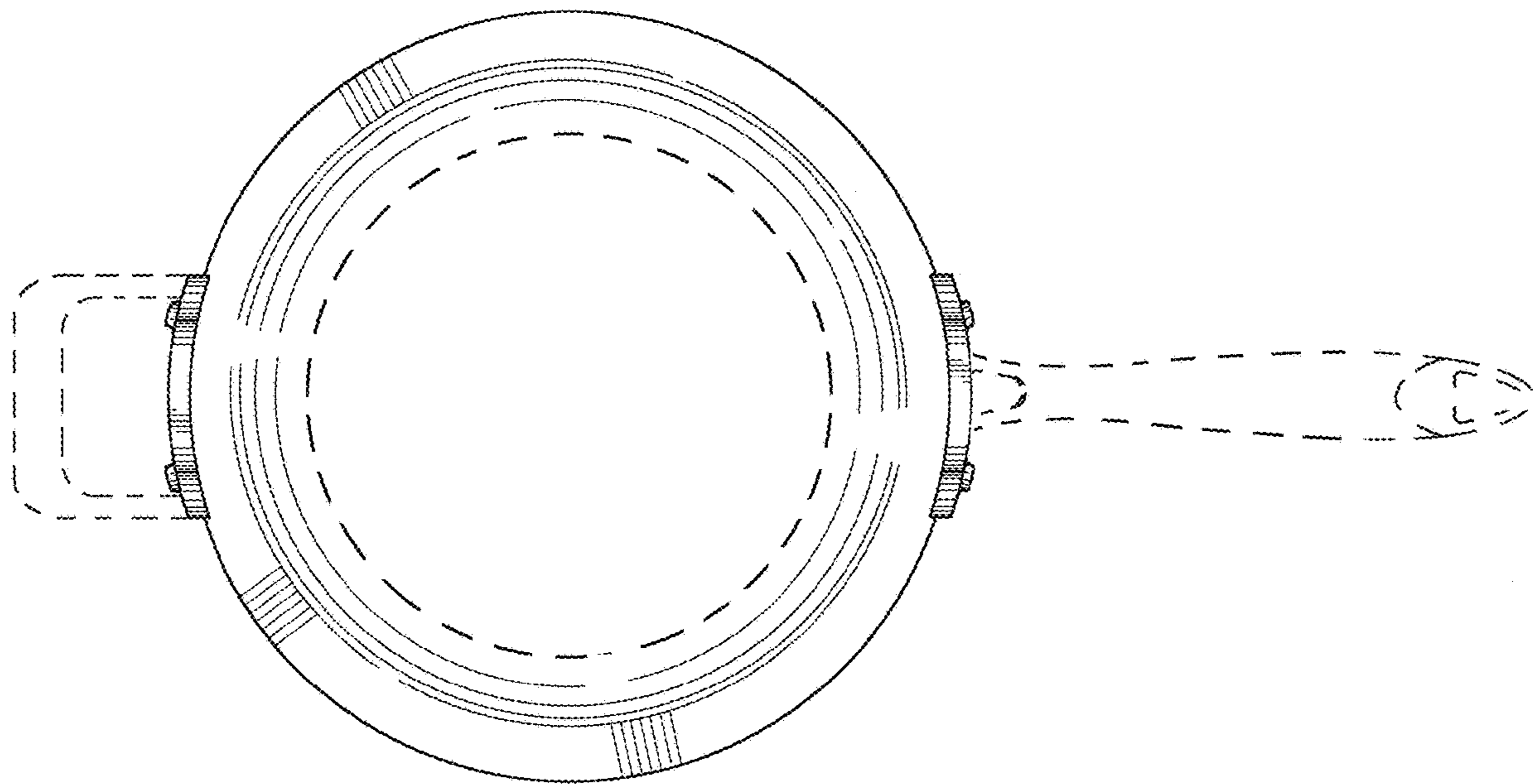


Fig.7

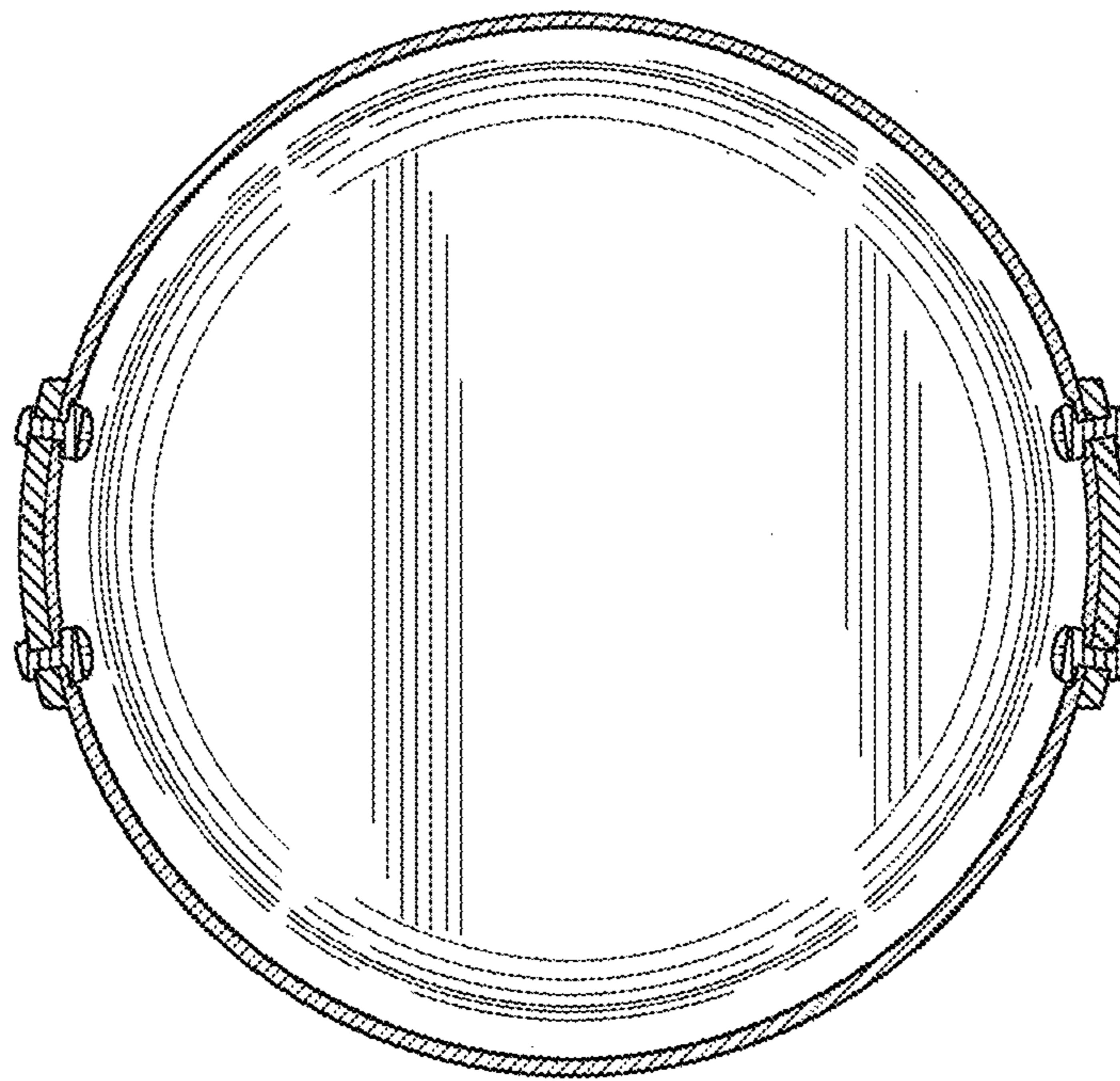


Fig.8