



US00D913028S

(12) **United States Design Patent**
Wong

(10) **Patent No.:** **US D913,028 S**

(45) **Date of Patent:** **** Mar. 16, 2021**

(54) **OVEN**

(71) Applicant: **Conair Corporation**, Stamford, CT
(US)

(72) Inventor: **Chi Ho Kurt Wong**, Yuen Long (HK)

(**) Term: **15 Years**

(21) Appl. No.: **29/676,817**

(22) Filed: **Jan. 15, 2019**

(51) **LOC (13) Cl.** **07-02**

(52) **U.S. Cl.**
USPC **D7/350.4**

(58) **Field of Classification Search**
USPC D7/323, 330, 331, 334, 338, 339, 340,
D7/341, 347, 348, 349, 350.1, 350.3,
D7/350.4, 351, 362, 363, 364, 365, 390,
D7/402-407; D23/314, 322, 323, 329,
D23/330, 335, 341; D99/28, 43;
D15/122, 138, 141, 144, 199; D8/311,
D8/312, 315, 316, 333, 334; D3/203.1;
D6/672, 675, 702, 703, 559, 663, 705.5;
D21/523, 524, 525, 561
CPC . H05B 6/12; H05B 6/64; H05B 6/806; H05B
6/6426; H05B 6/6412; A21B 1/52; A21B
1/00; A47J 37/00; A47J 37/0763; A47J
37/36; F24C 15/08; F24C 15/2024; F27D
9/00; F27D 2009/0018; F27D 2009/004;
F27B 2014/0837; F23D 14/02
See application file for complete search history.

(56) **References Cited**

U.S. PATENT DOCUMENTS

D329,353 S * 9/1992 Yamada D7/351
D330,144 S * 10/1992 Takebata D7/351
D468,579 S * 1/2003 Sakai D7/351
D525,477 S * 7/2006 Kim D7/351
D527,572 S * 9/2006 Lee D7/350.1
D530,561 S * 10/2006 Kim D7/351
D539,593 S * 4/2007 Wang D7/350.4
D550,502 S * 9/2007 Jeon D7/350.1

D625,557 S * 10/2010 Pino D7/405
D655,970 S * 3/2012 De' Longhi D7/351
D664,388 S * 7/2012 Park D7/348
D668,107 S * 10/2012 Borjesson D7/405
D690,994 S * 10/2013 Baek D7/405
D748,424 S * 2/2016 Funnell, II D7/348
D750,414 S * 3/2016 Funnell, II D7/348
D784,752 S * 4/2017 Funnell, II D7/348
D786,611 S * 5/2017 Funnell, II D7/348

(Continued)

FOREIGN PATENT DOCUMENTS

WO WO-2017177890 A1 * 10/2017 F24C 15/2042

OTHER PUBLICATIONS

Cuisinart TOA Convection Air Fryer Toaster: Announced Jul. 23, 2018 [online]. Site Visited [Mar. 2, 2020]. Available from Internet URL: https://www.amazon.com/Cuisinart-Convection-Toaster-Extended-Warranty/dp/B07CXM33MD/ref=cm_cr_arp_d_product_top?ie=UTF8.*

Primary Examiner — Catherine S Posthauer
(74) *Attorney, Agent, or Firm* — McCormick, Paulding & Huber PLLC

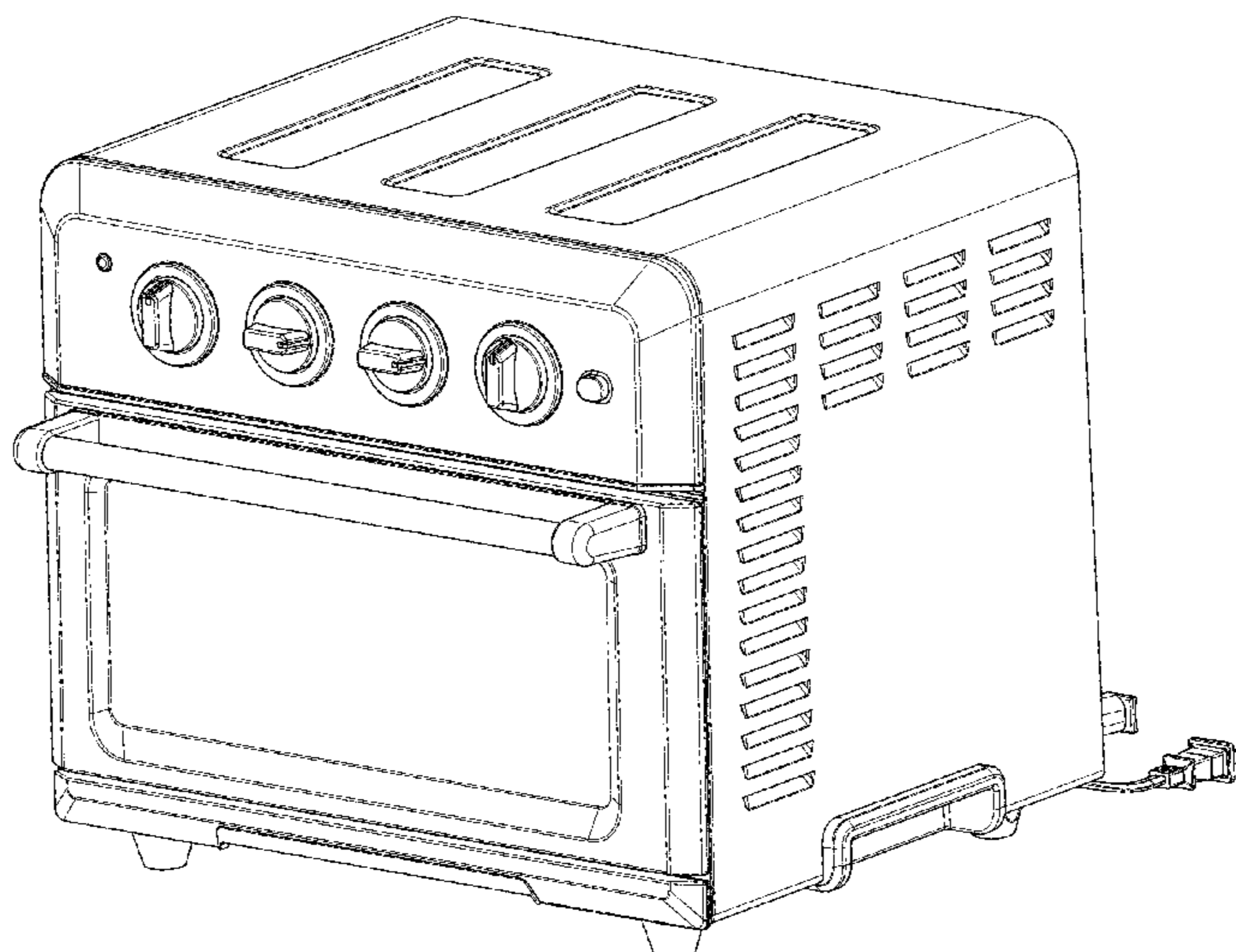
(57) **CLAIM**

The ornamental design for an oven, substantially as shown and described.

DESCRIPTION

FIG. 1 is a front, right side and top perspective view of an oven, showing my new design;
FIG. 2 is a front view thereof;
FIG. 3 is a left side view thereof;
FIG. 4 is a right side view thereof;
FIG. 5 is a top view thereof;
FIG. 6 is a bottom view thereof; and,
FIG. 7 is a rear view thereof.
The broken lines depict portions of the oven that form no part of the claimed design.

1 Claim, 7 Drawing Sheets



(56)

References Cited

U.S. PATENT DOCUMENTS

D787,878 S	*	5/2017	Kim	D7/348
D828,090 S	*	9/2018	Kim	D7/405
D852,580 S	*	7/2019	Kim	D7/405

* cited by examiner

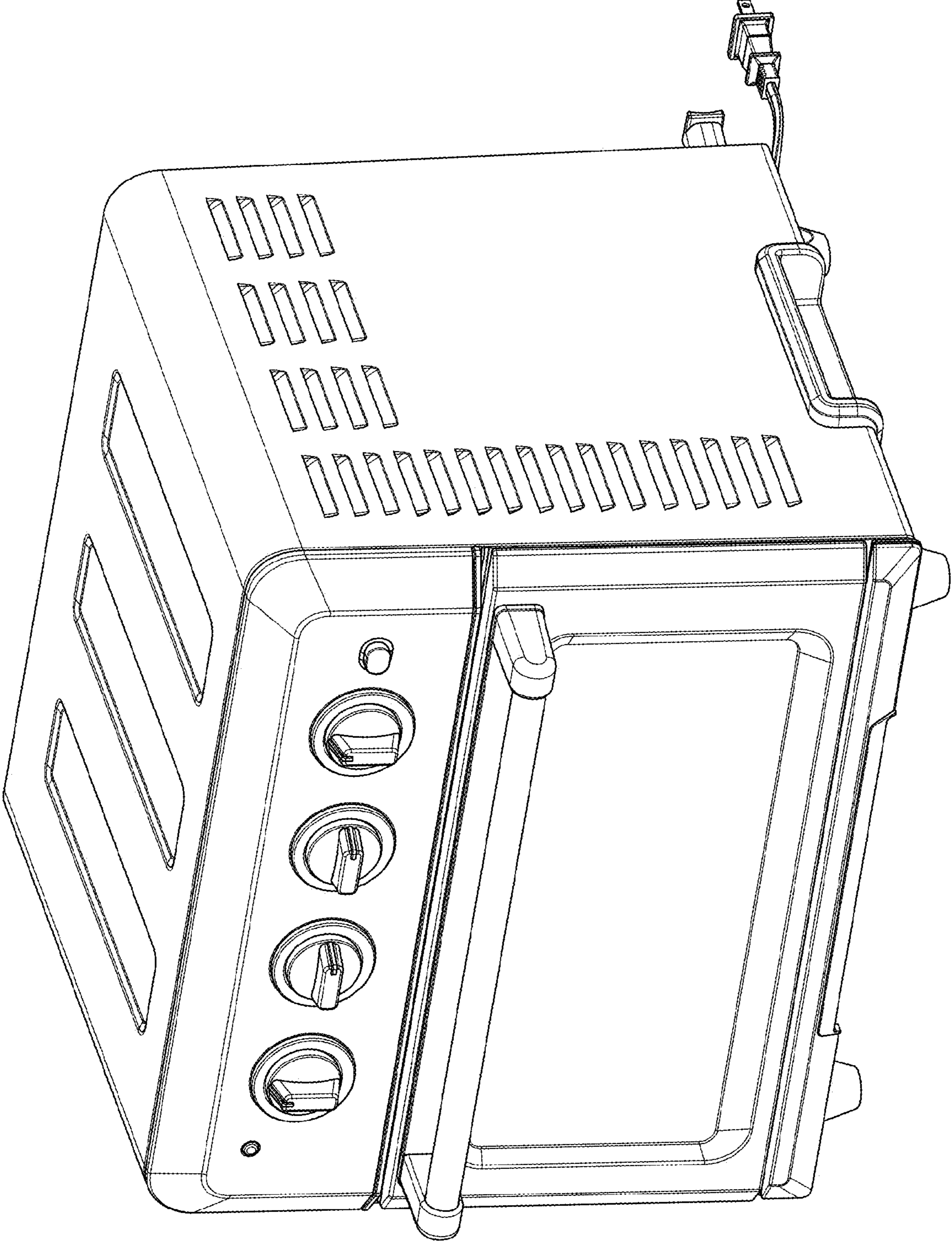


FIG. 1

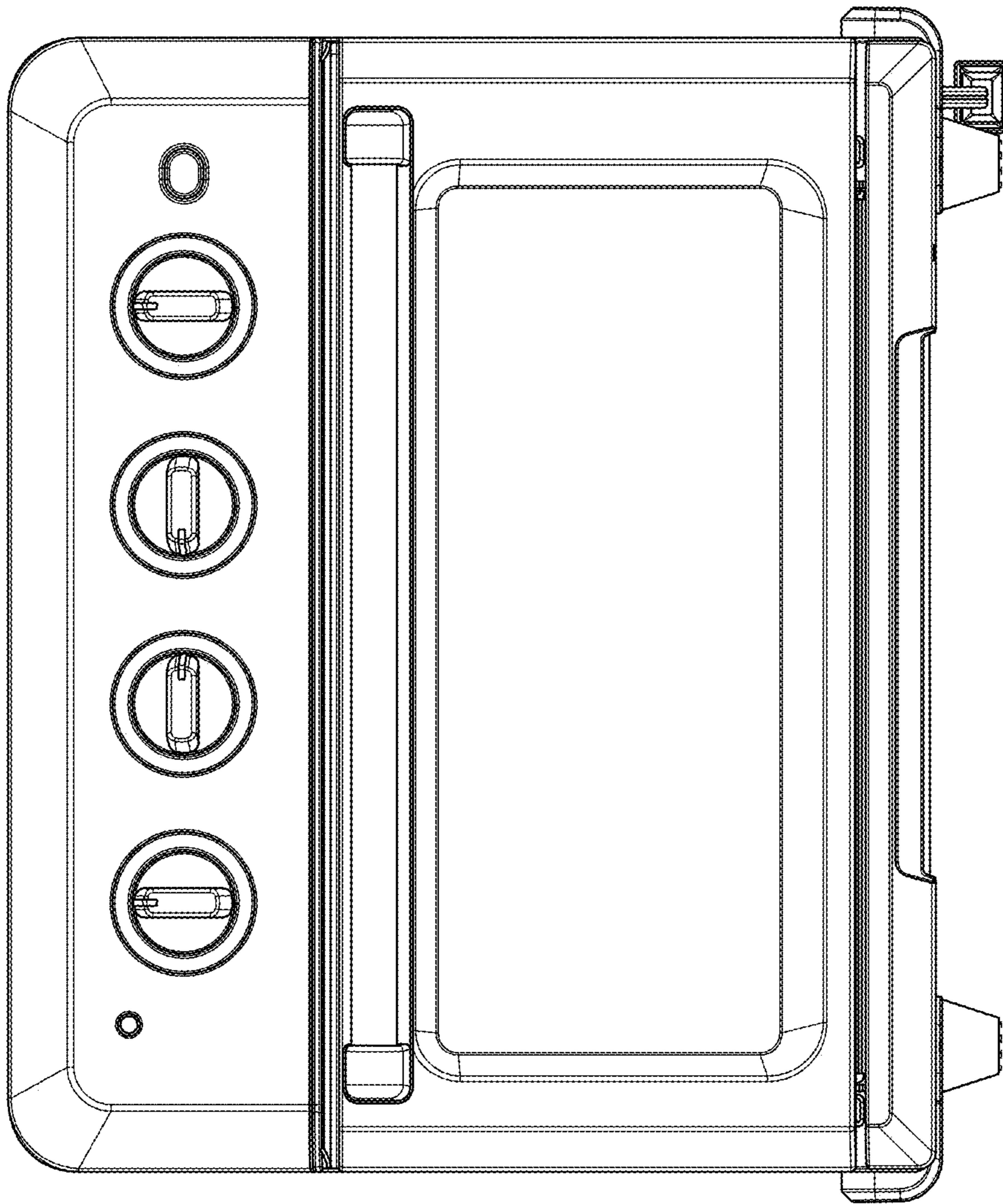


FIG. 2

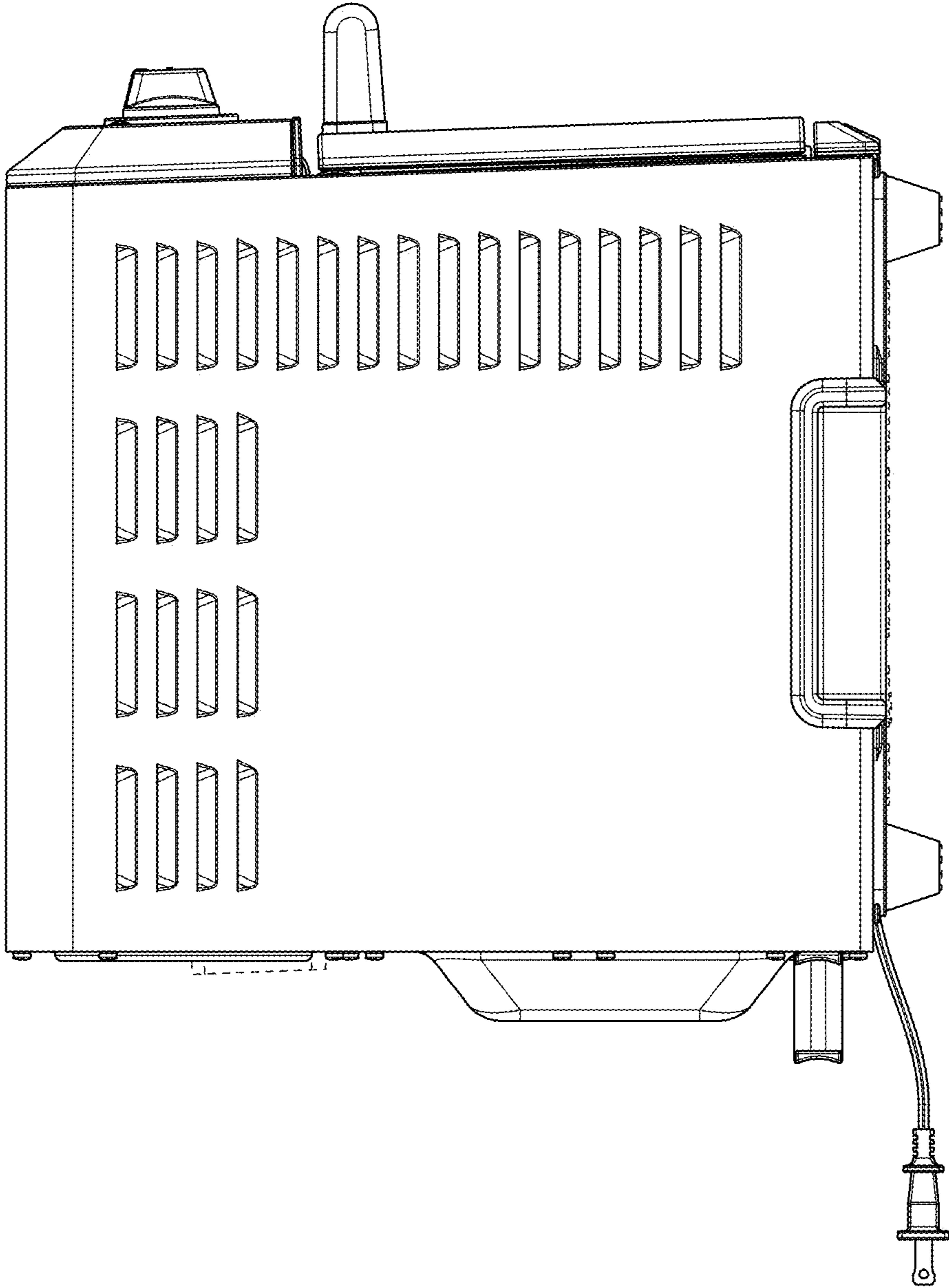


FIG. 3

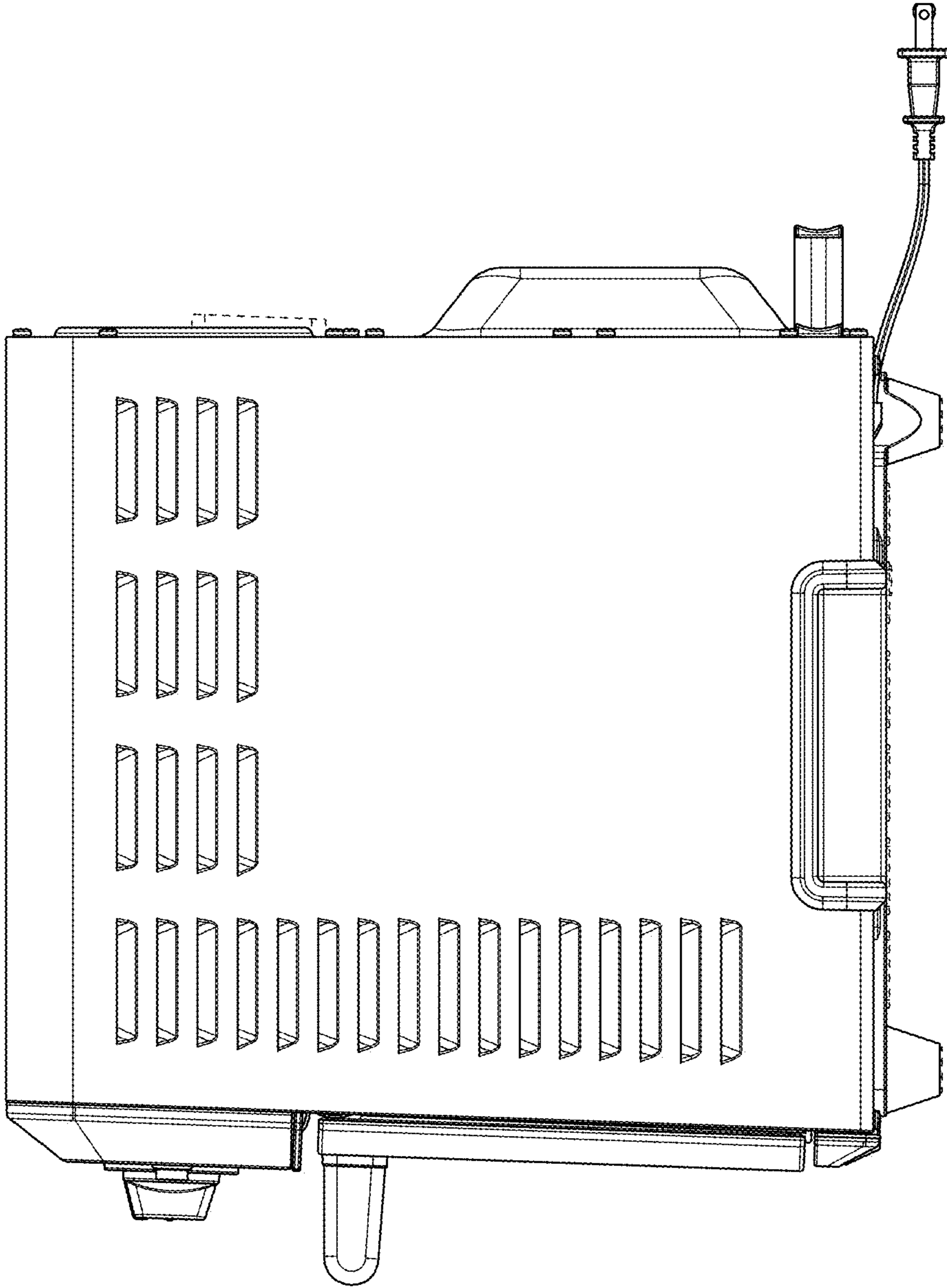


FIG. 4

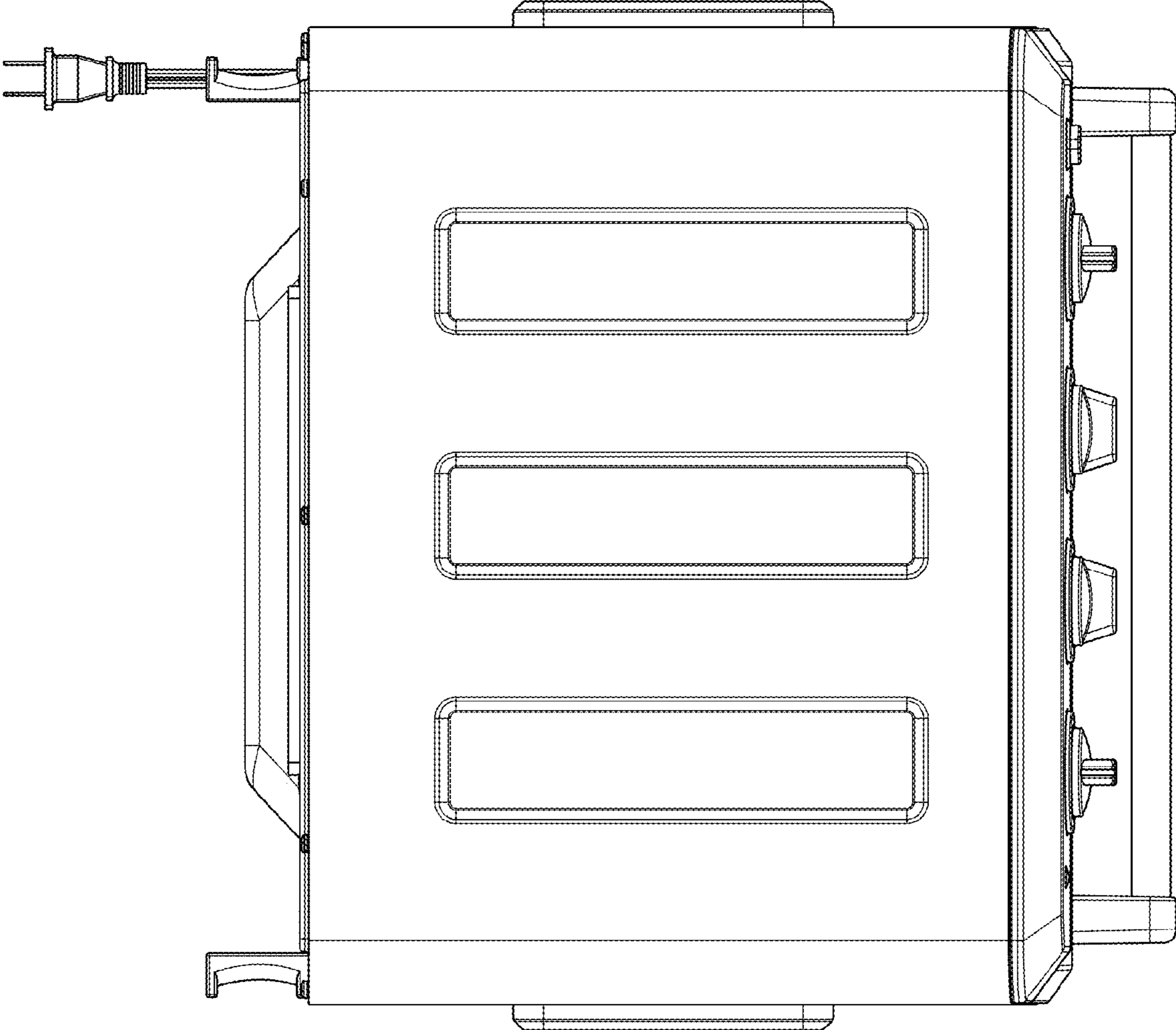


FIG. 5

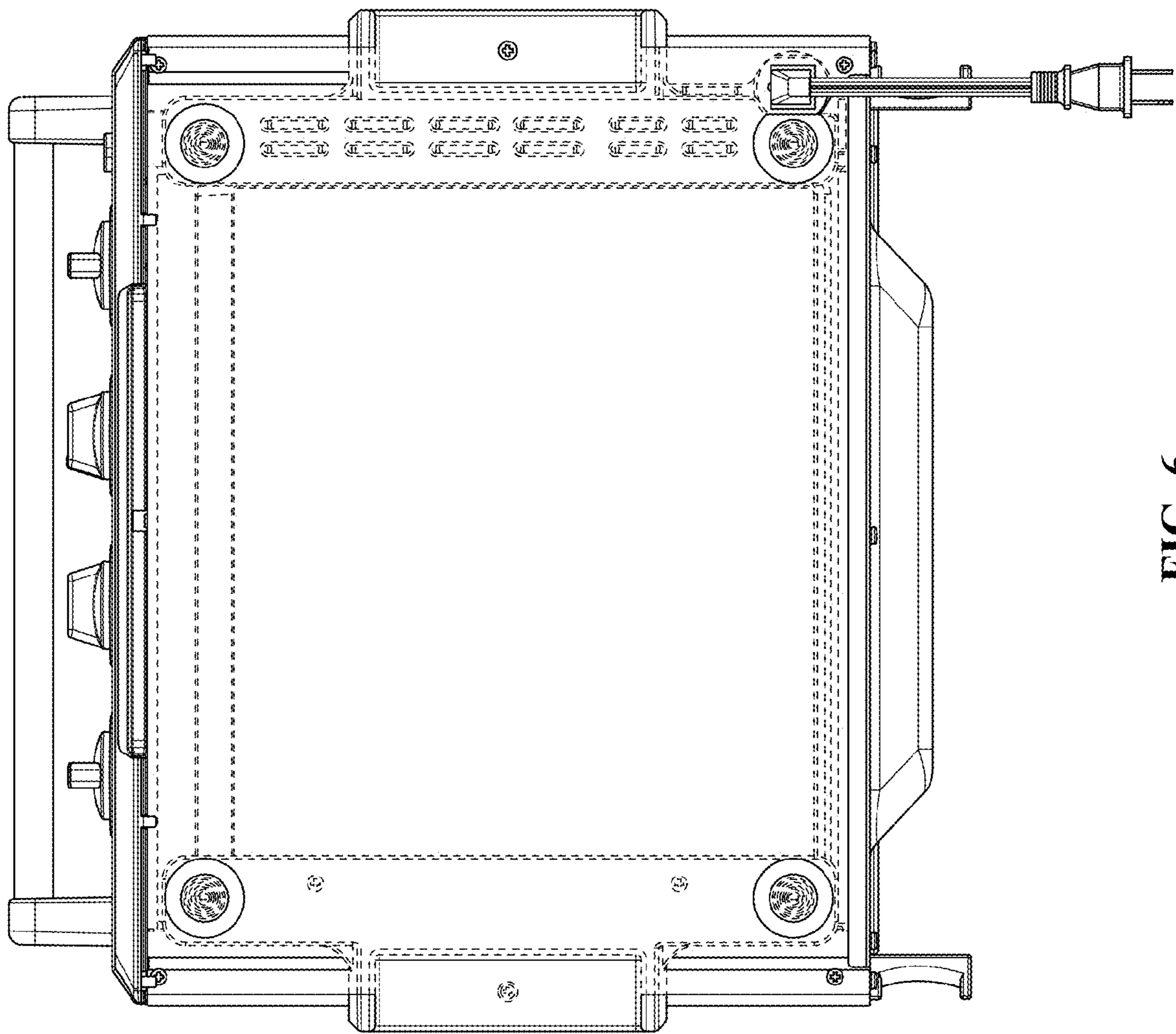


FIG. 6

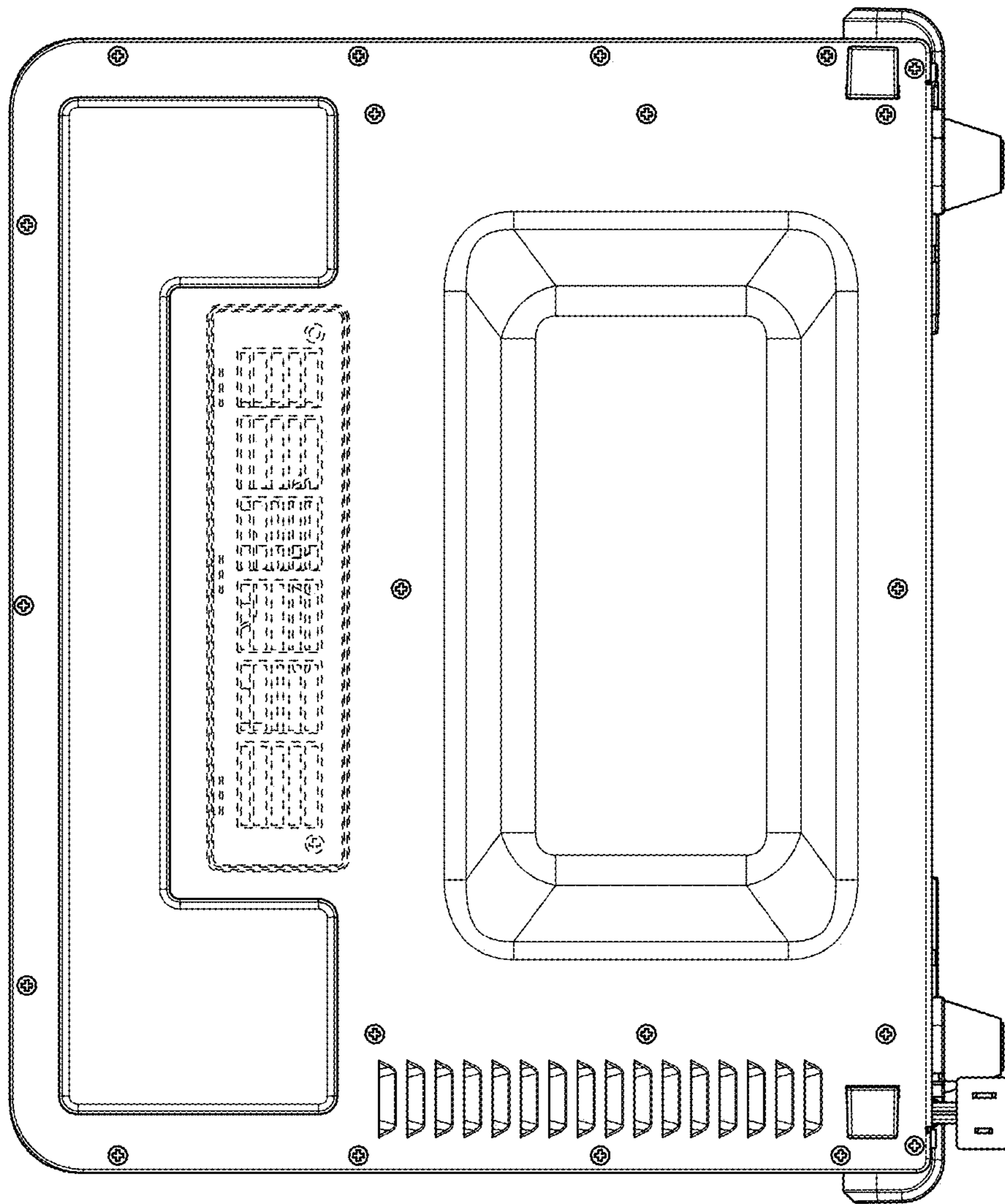


FIG. 7