



US00D913026S

(12) **United States Design Patent**
Howard

(10) **Patent No.:** **US D913,026 S**
(45) **Date of Patent:** **** *Mar. 16, 2021**

(54) **MOTORCYCLE ENGINE BARBECUE GRILL**

(71) Applicant: **Rodger Howard**, Chino, CA (US)

(72) Inventor: **Rodger Howard**, Chino, CA (US)

(*) Notice: This patent is subject to a terminal disclaimer.

(**) Term: **15 Years**

(21) Appl. No.: **29/667,536**

(22) Filed: **Oct. 23, 2018**

(51) **LOC (13) Cl.** **07-02**

(52) **U.S. Cl.**
USPC **D7/334**

(58) **Field of Classification Search**
USPC D7/332-337, 402-409, 339, 348, 347,
D7/323; 126/25 R; D23/343, 348
CPC A47J 37/07-0786; A47J 33/00; A47J
2037/0777; A47J 2037/0795; A47J
37/0658; A47J 37/0623; A23B
4/044-056; F24B 1/202-205

See application file for complete search history.

(56) **References Cited**

U.S. PATENT DOCUMENTS

D164,881 S *	10/1951	Roth	D7/334
D250,317 S *	11/1978	Simmons	D7/338
D295,136 S *	4/1988	Cox, Jr.	D7/334
D425,752 S *	5/2000	Ethridge	D7/332
D437,176 S *	2/2001	Bullard	D7/334
D442,421 S *	5/2001	Cragg	D7/332

6,298,774 B1	10/2001	Latham	
D534,765 S *	1/2007	Thurman, Jr. D7/335
D535,140 S *	1/2007	Thurman, Jr. D7/335
D578,821 S	10/2008	Young	
D608,587 S	1/2010	Bluestone	
D655,127 S *	3/2012	Grimes D7/334
D661,155 S	6/2012	Young	
D677,105 S *	3/2013	DeGeyter D7/332
9,004,058 B1	4/2015	Brown	
D773,879 S *	12/2016	Magee D7/334
D848,775 S *	5/2019	Howard D7/334
2003/0200962 A1	10/2003	Pruett	
2013/0180412 A1	7/2013	Contarino, Jr.	

FOREIGN PATENT DOCUMENTS

WO 2010005549 A1 7/2009

* cited by examiner

Primary Examiner — Brett Miller

(57) **CLAIM**

I claim the ornamental design for a motorcycle engine barbecue grill, as shown and described.

DESCRIPTION

FIG. 1 is a front view of the motorcycle engine barbecue grill.

FIG. 2 is a rear view of the claimed design.

FIG. 3 is a right side view of the claimed design.

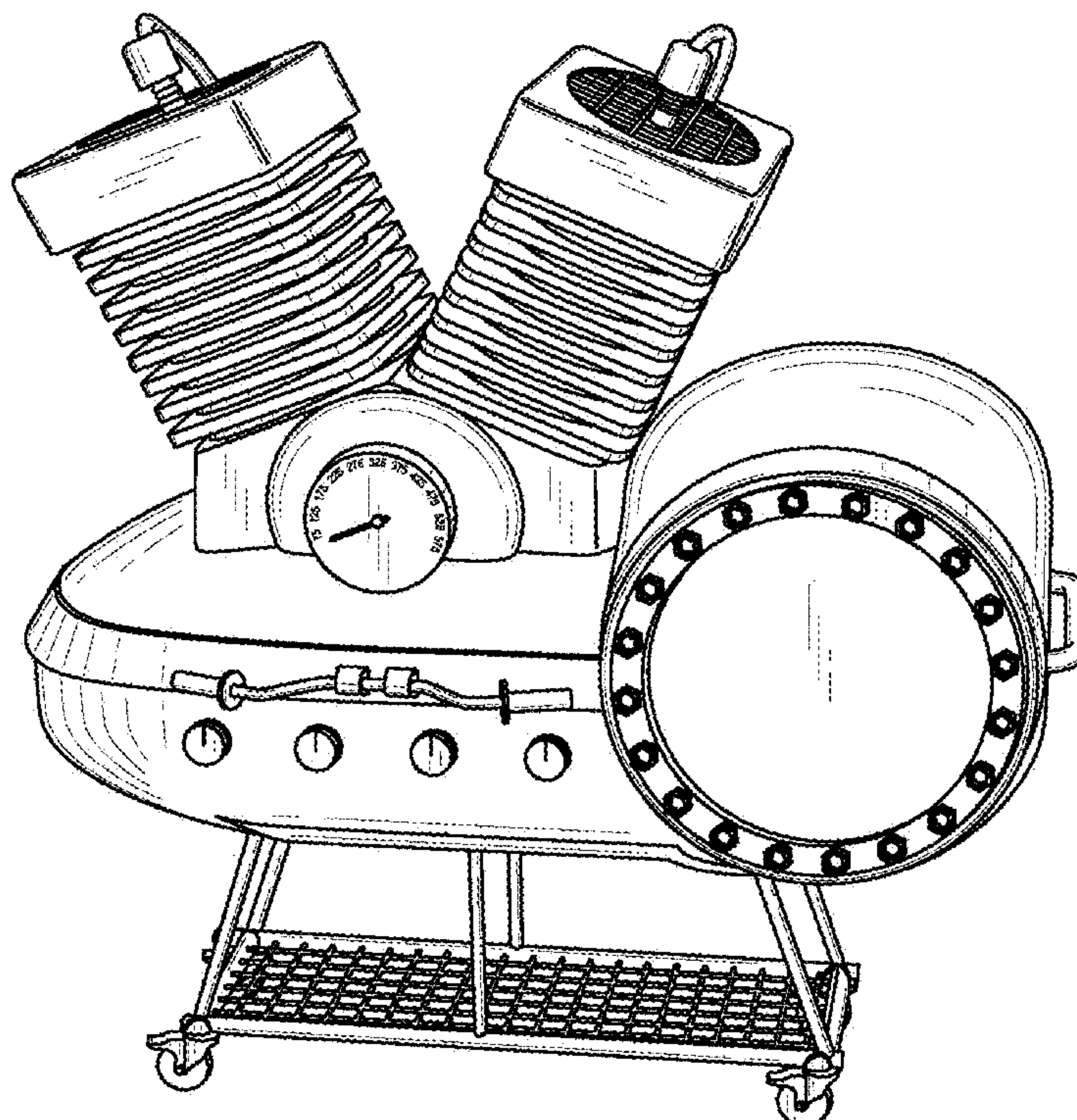
FIG. 4 is a left side view of the claimed design.

FIG. 5 is a top view of the claimed design.

FIG. 6 is a bottom view of the claimed design; and,

FIG. 7 is a perspective view of the claimed design.

1 Claim, 5 Drawing Sheets



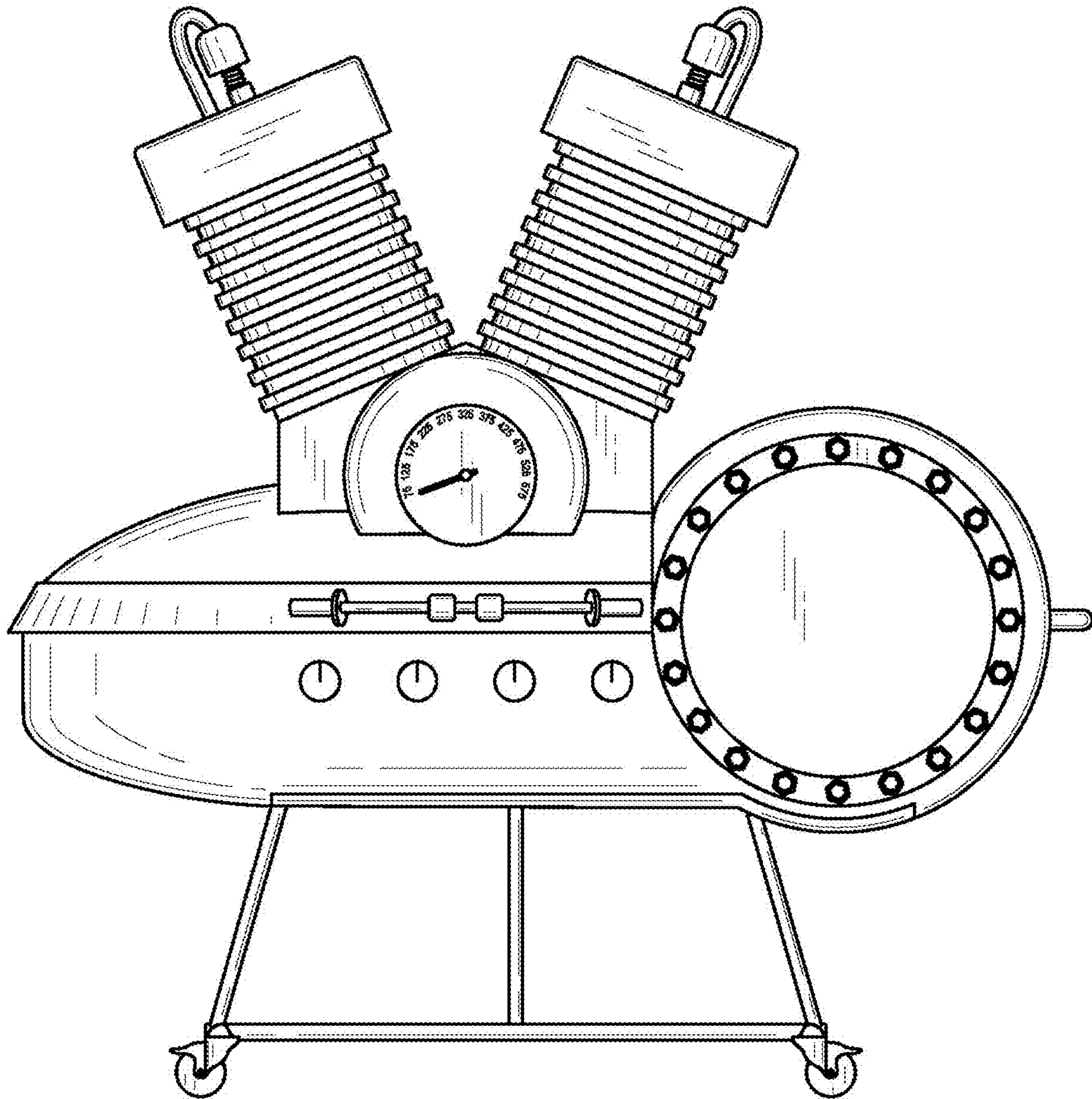


FIG. 1

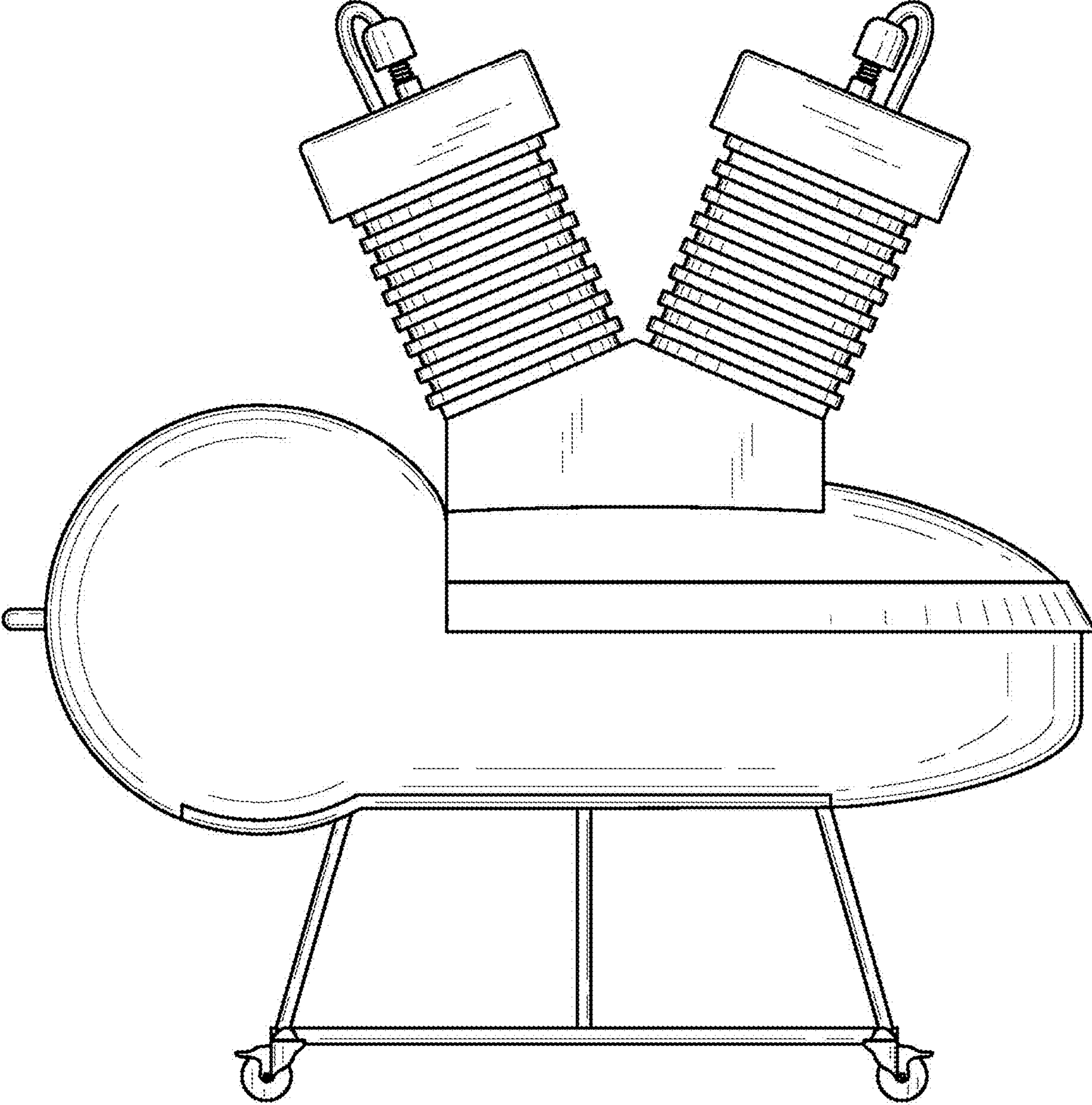


FIG. 2

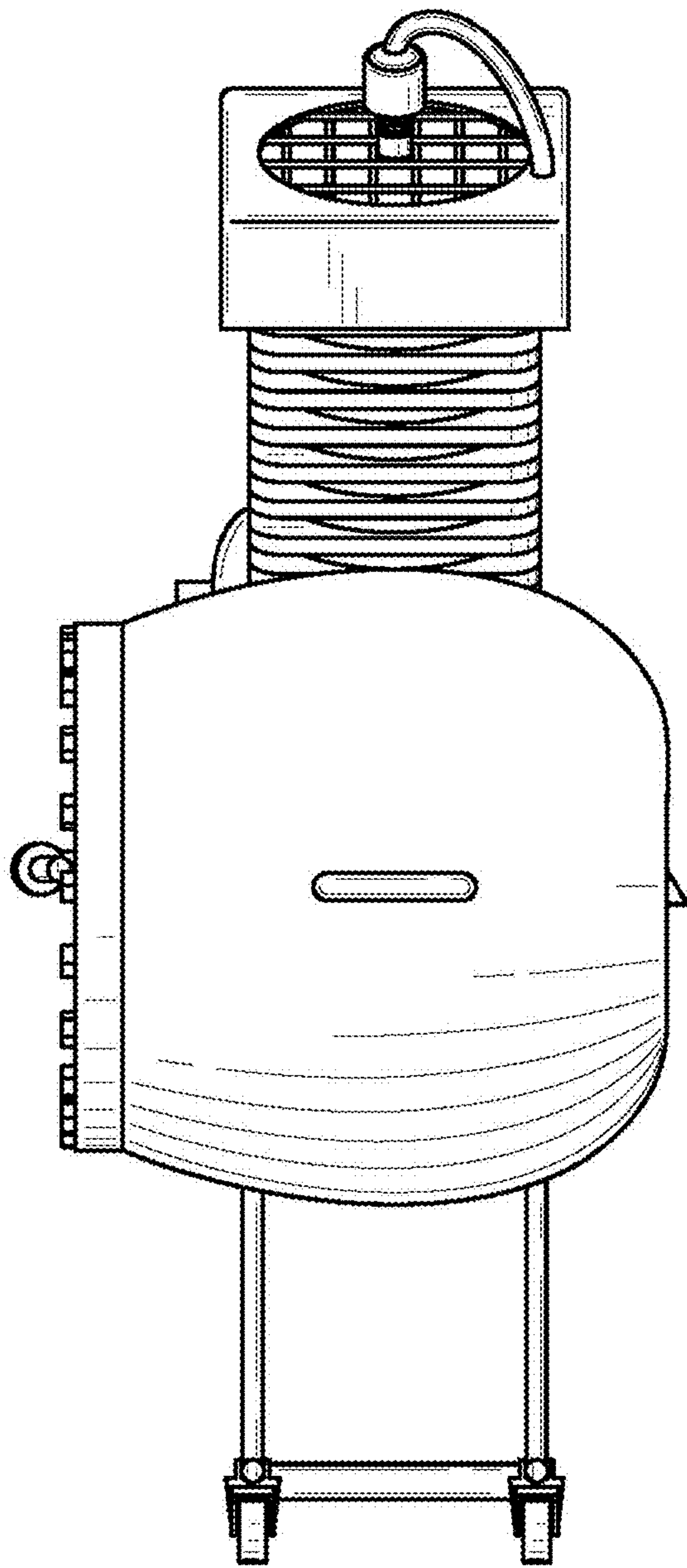


FIG. 3

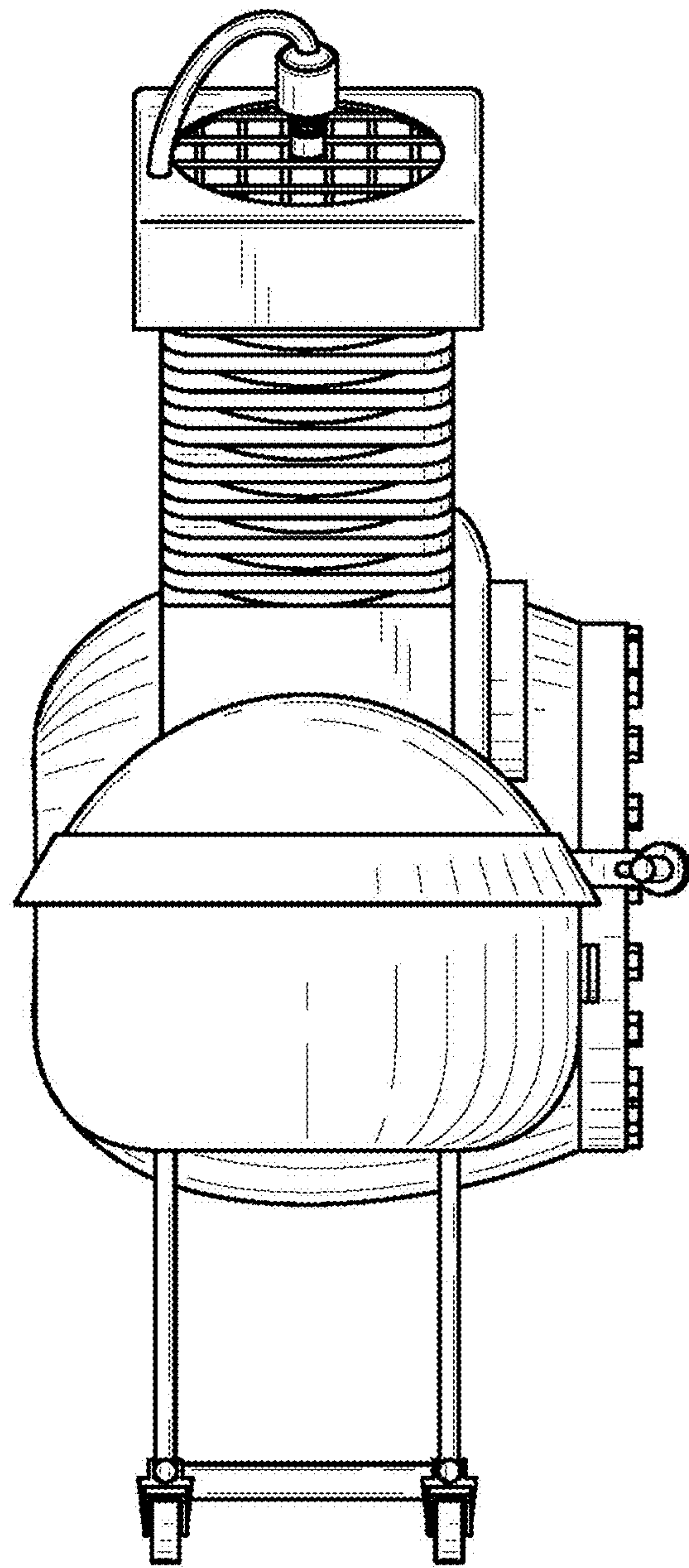


FIG. 4

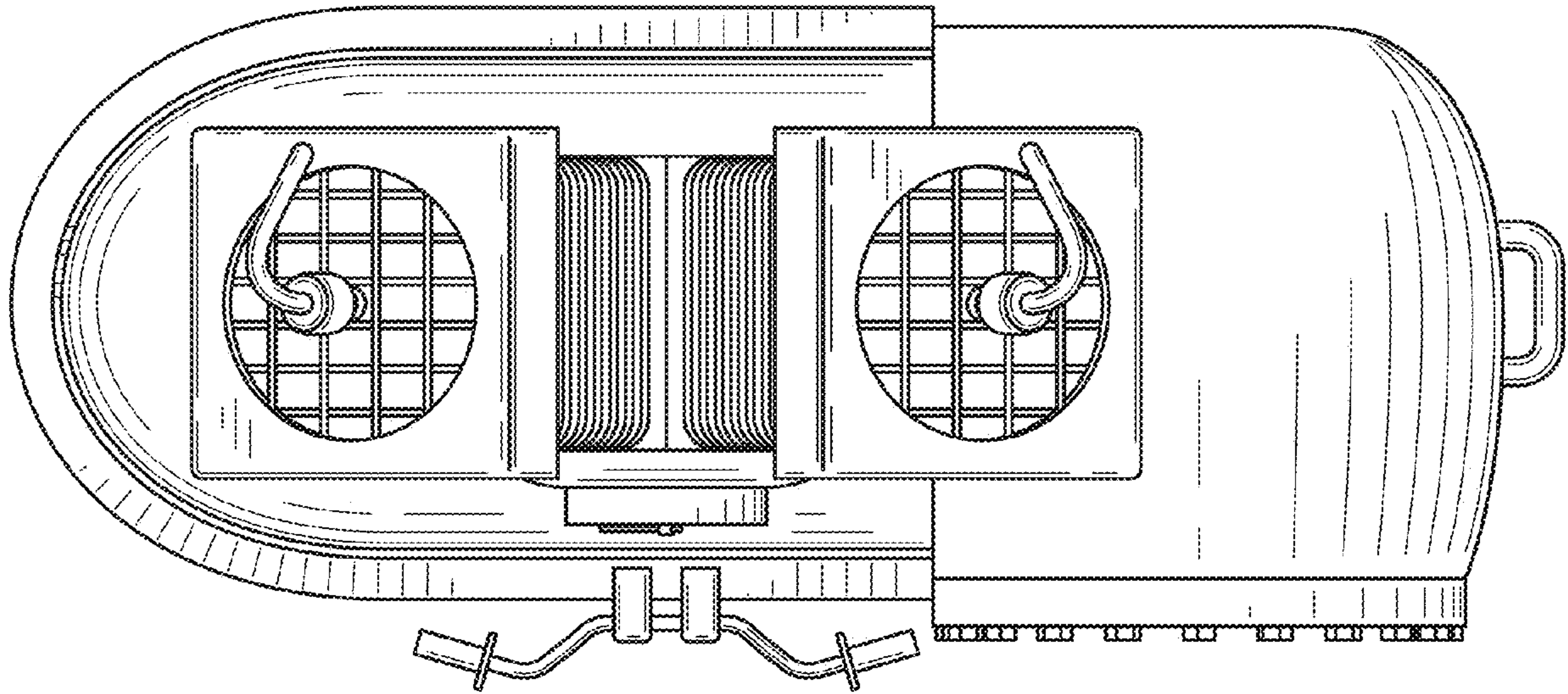


FIG. 5

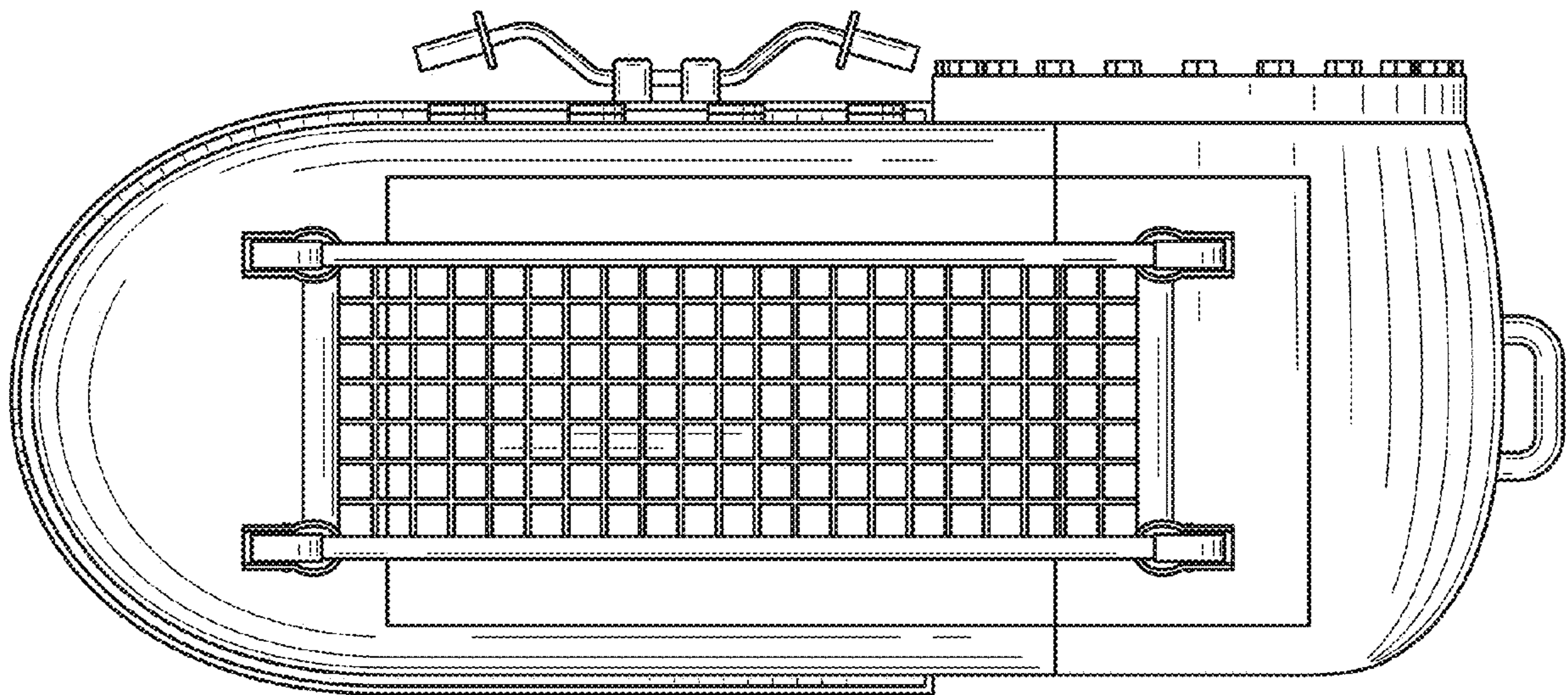


FIG. 6

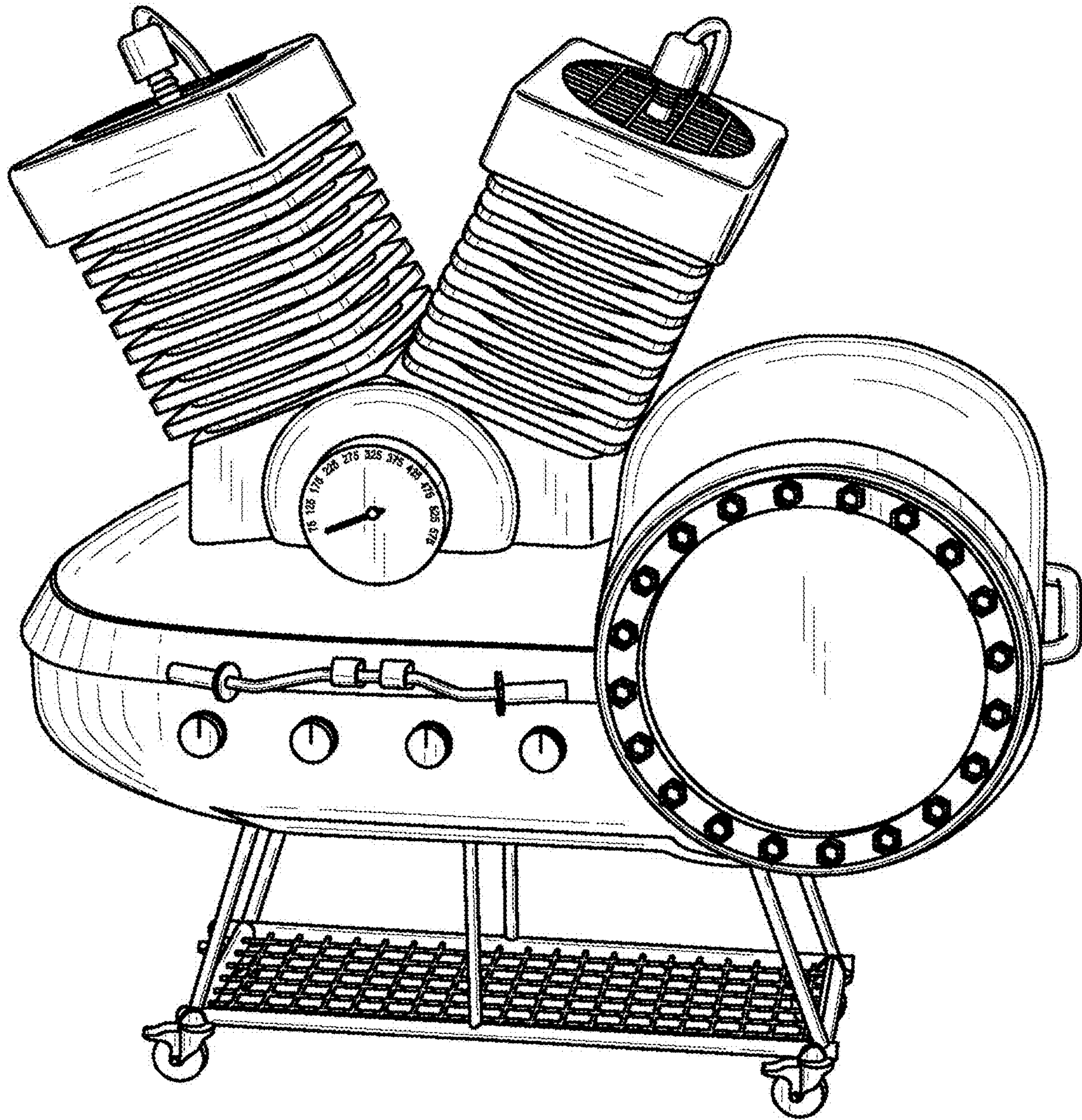


FIG. 7