



US00D913024S

(12) **United States Design Patent**
Su

(10) **Patent No.:** US D913,024 S
(45) **Date of Patent:** ** Mar. 16, 2021

- (54) **CHAIR BACKREST**
- (71) Applicant: **WELLWORKER INTERNATIONAL CO., LTD.**, Tainan (TW)
- (72) Inventor: **Shu O Su**, Tainan (TW)
- (73) Assignee: **WELLWORKER INTERNATIONAL CO., LTD.**, Tainan (TW)
- (**) Term: **15 Years**
- (21) Appl. No.: **29/713,127**
- (22) Filed: **Nov. 13, 2019**
- (30) **Foreign Application Priority Data**

Oct. 25, 2019 (TW) 108306628

- (51) **LOC (13) Cl.** **06-01**
- (52) **U.S. Cl.**
USPC **D6/716.4**

- (58) **Field of Classification Search**
USPC D6/344, 367, 368, 373, 375, 380, 362, D6/370, 379, 716, 716.1, 716.4
CPC A47C 4/48; A47C 3/12; A47C 1/00; A47C 1/0246; A47C 1/024; A47C 3/00; A47C 3/029; A47C 3/027; A47C 3/02; A47C 3/04; A47C 3/20; A47C 4/00; A47C 4/02; A47C 4/03; A47C 4/04; A47C 4/021; A47C 5/12; A47C 7/021; A47C 7/004; A47C 7/006; A47C 7/18; A47C 7/40; A47C 7/44; A47C 7/46; A47C 7/54; A47C 7/402; A47C 7/441; A47C 7/443; A47C 7/445; A47C 7/467; A47C 7/543; A47C 9/002; A47C 31/126; Y10S 297/01; B60N 2/02; A63G 9/10; A63B 26/00; A63B 26/003; A63B 2225/62; A63B 2210/50; A63B 21/1609; A47D 13/10
See application file for complete search history.

- (56) **References Cited**
U.S. PATENT DOCUMENTS

D595,072 S * 6/2009 Su D6/716.4
D596,430 S * 7/2009 Su D6/366

D638,641 S * 5/2011 Piretti D6/716
D672,581 S * 12/2012 Piretti D6/716.1
D673,395 S * 1/2013 Piretti D6/716.1
D761,049 S * 7/2016 Pan D6/716.4
D761,050 S * 7/2016 Pan D6/716.4
D769,659 S * 10/2016 Su D6/716.4
D779,224 S * 2/2017 Duvigneau D6/379
D784,034 S * 4/2017 Longo D6/362
D802,319 S * 11/2017 Longo D6/368
D814,822 S * 4/2018 Tran D6/380
D815,451 S * 4/2018 Tran D6/380

(Continued)

Primary Examiner — Kevin K Rudzinski
Assistant Examiner — Paul D Bohannon
(74) *Attorney, Agent, or Firm* — Raymond Y. Chan;
David and Raymond Patent Firm

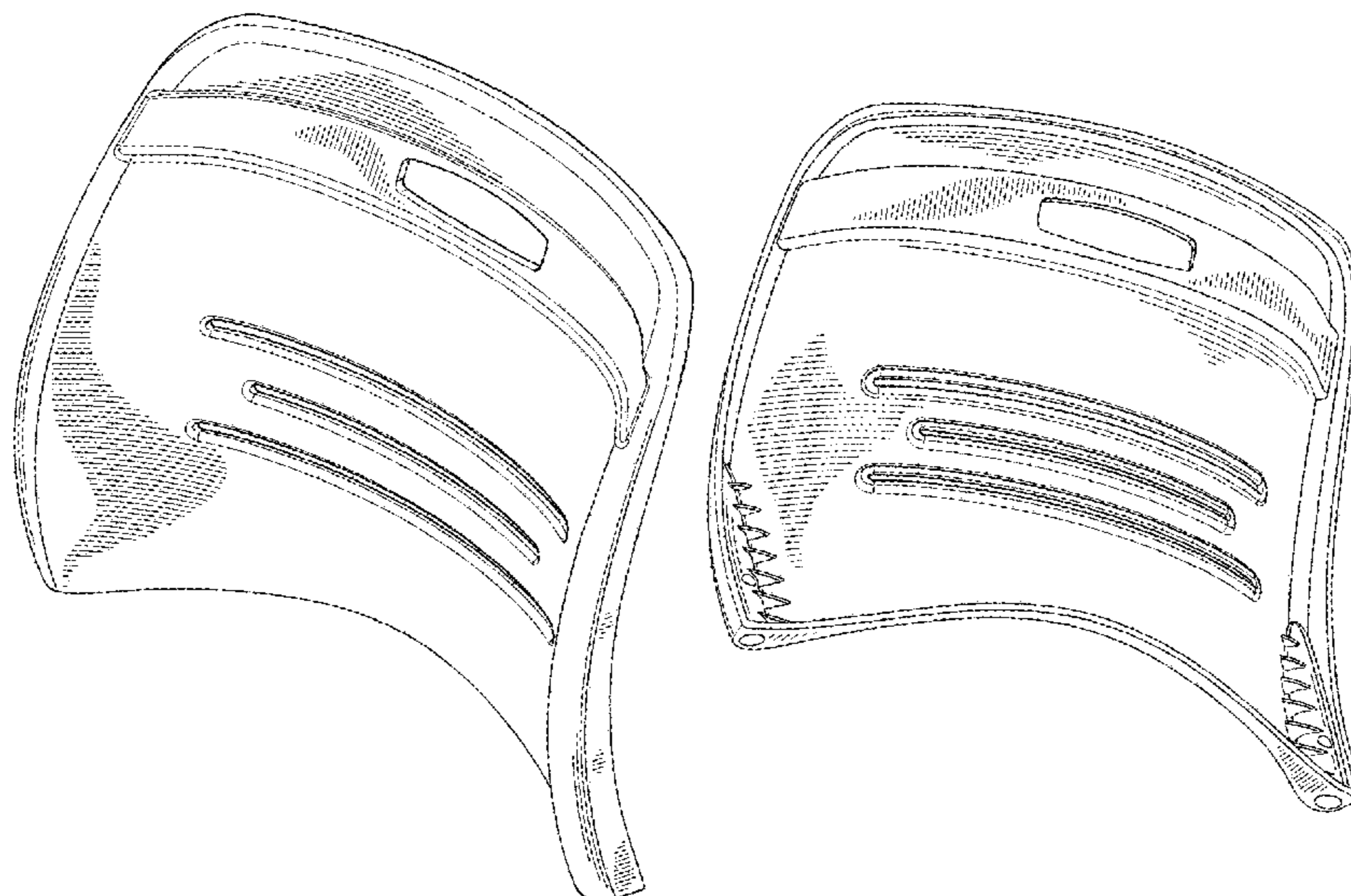
(57) **CLAIM**

The ornamental design for a chair backrest, as shown and described.

DESCRIPTION

FIG. 1 is a perspective view of chair backrest showing my new design;
FIG. 2 is a front view thereof;
FIG. 3 is a rear view thereof;
FIG. 4 is a left end view thereof;
FIG. 5 is a right end view thereof;
FIG. 6 is a top view thereof;
FIG. 7 is a bottom view thereof;
FIG. 8 is another perspective view thereof; and,
FIG. 9 is a perspective view thereof, shown with environmental subject matter.
The broken lines shown in the drawings are for the purpose of illustrating environmental subject matter and form no part of the claimed design.

1 Claim, 7 Drawing Sheets



(56)

References Cited

U.S. PATENT DOCUMENTS

D815,848 S * 4/2018 Longo D6/362
D817,680 S * 5/2018 Mahan-Rudolph D6/716.4
D827,352 S * 9/2018 Peterson D6/716.4
D842,019 S * 3/2019 Su D6/716.4
D856,728 S * 8/2019 Feiner D6/716.4
D857,436 S * 8/2019 Feiner D6/716.4
D871,094 S * 12/2019 Coirier D6/370
2005/0161990 A1 * 7/2005 Piretti A47C 7/44
297/285
2017/0347803 A1 * 12/2017 Krishtul A47C 7/46

* cited by examiner

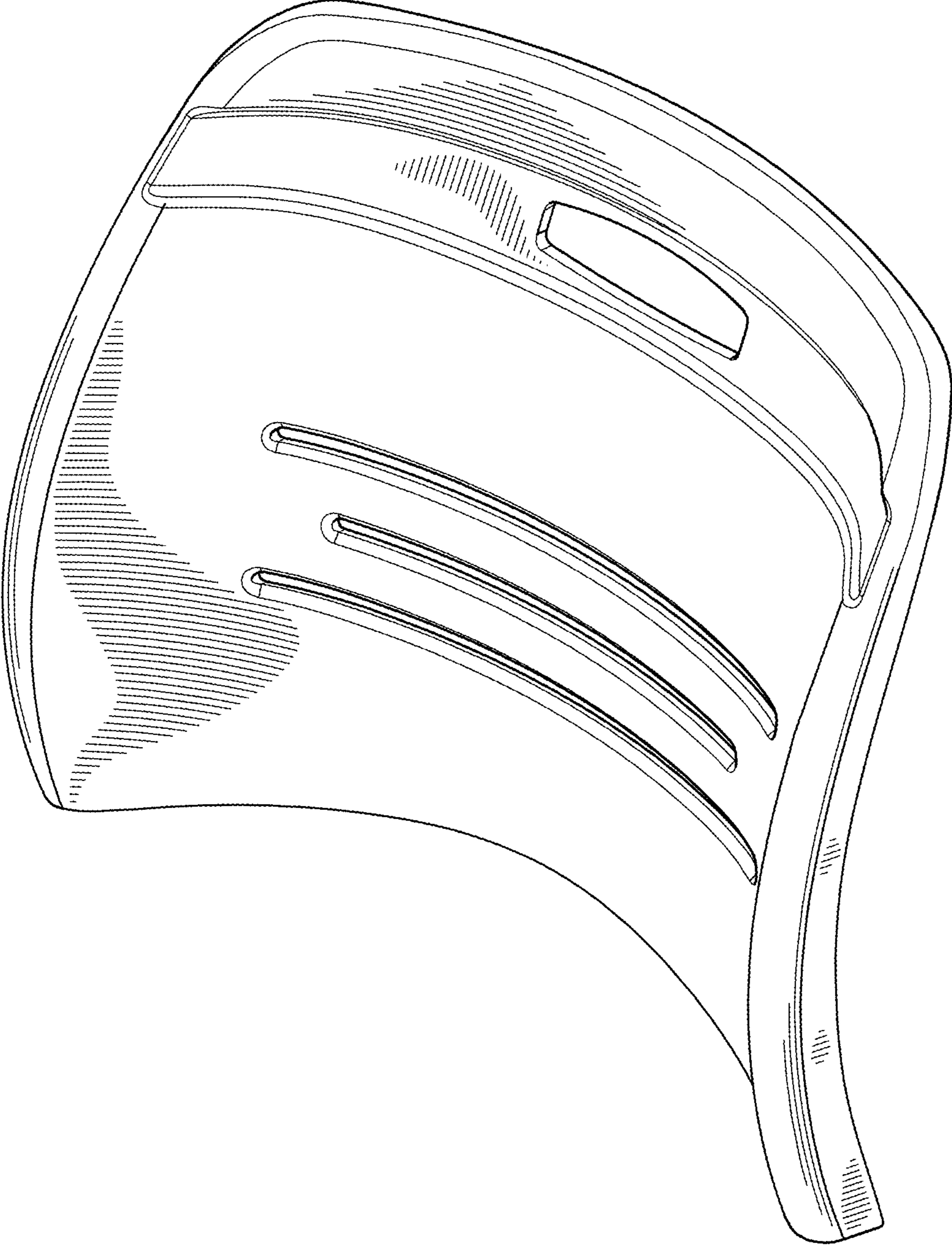


FIG. 1

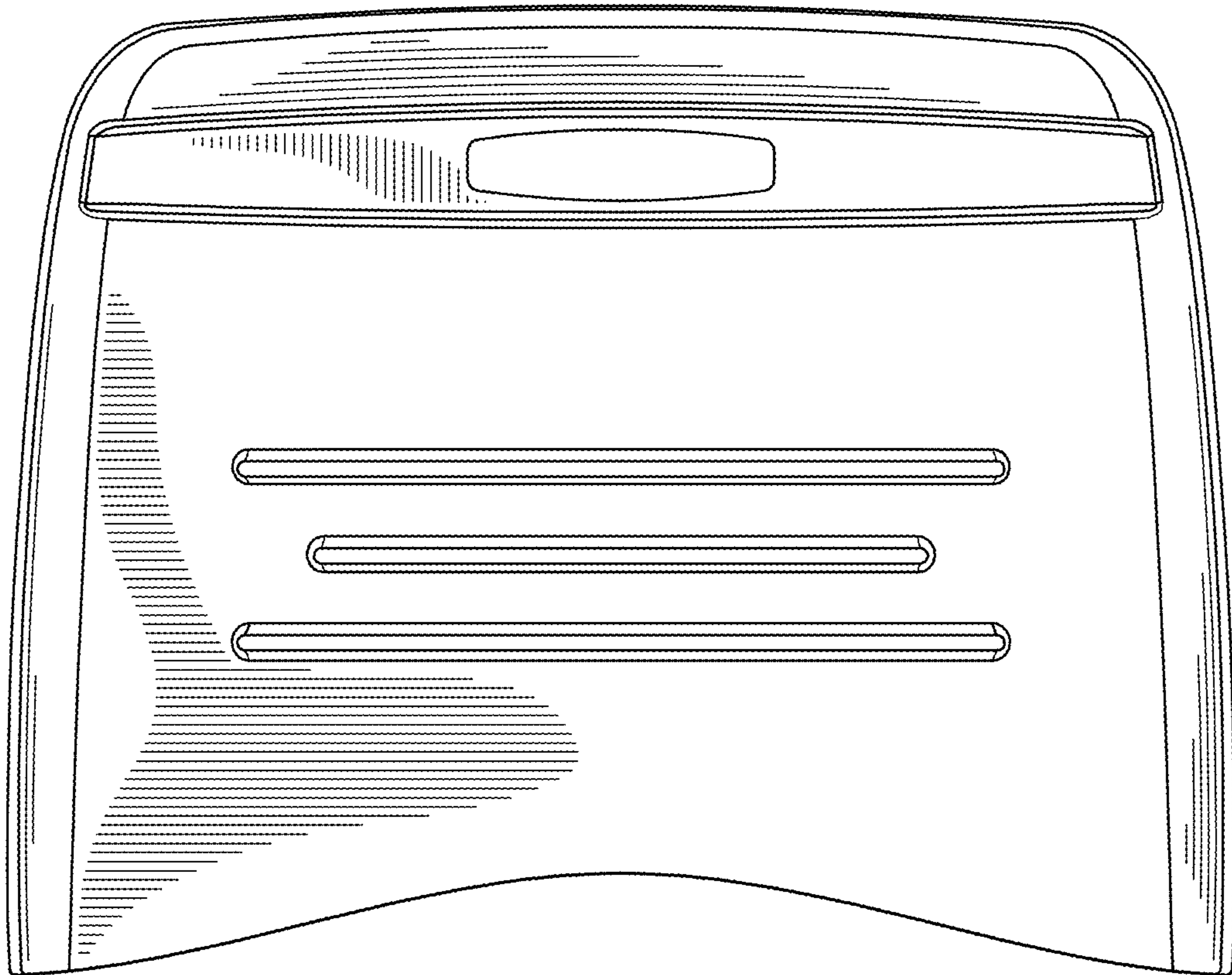


FIG. 2

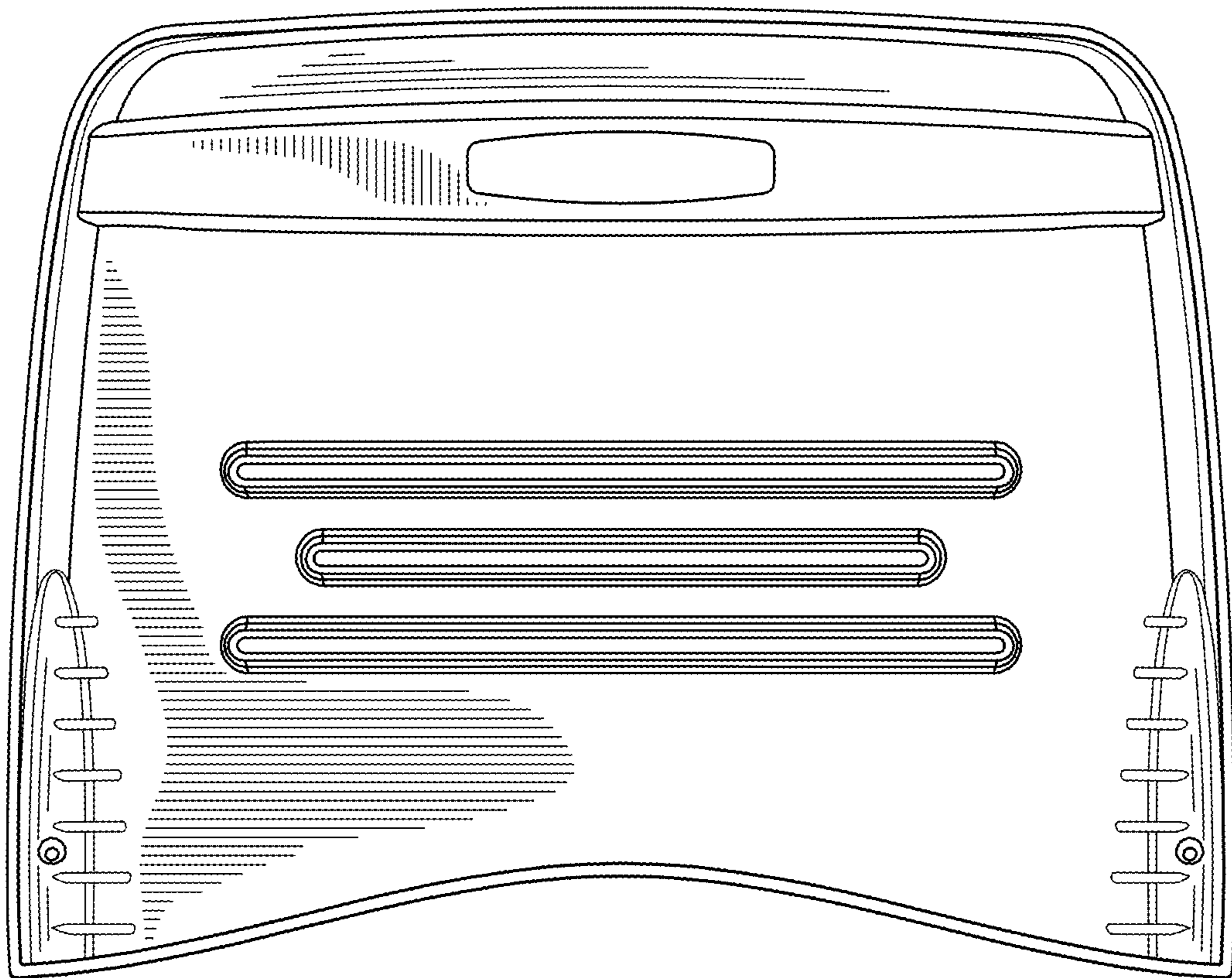


FIG. 3

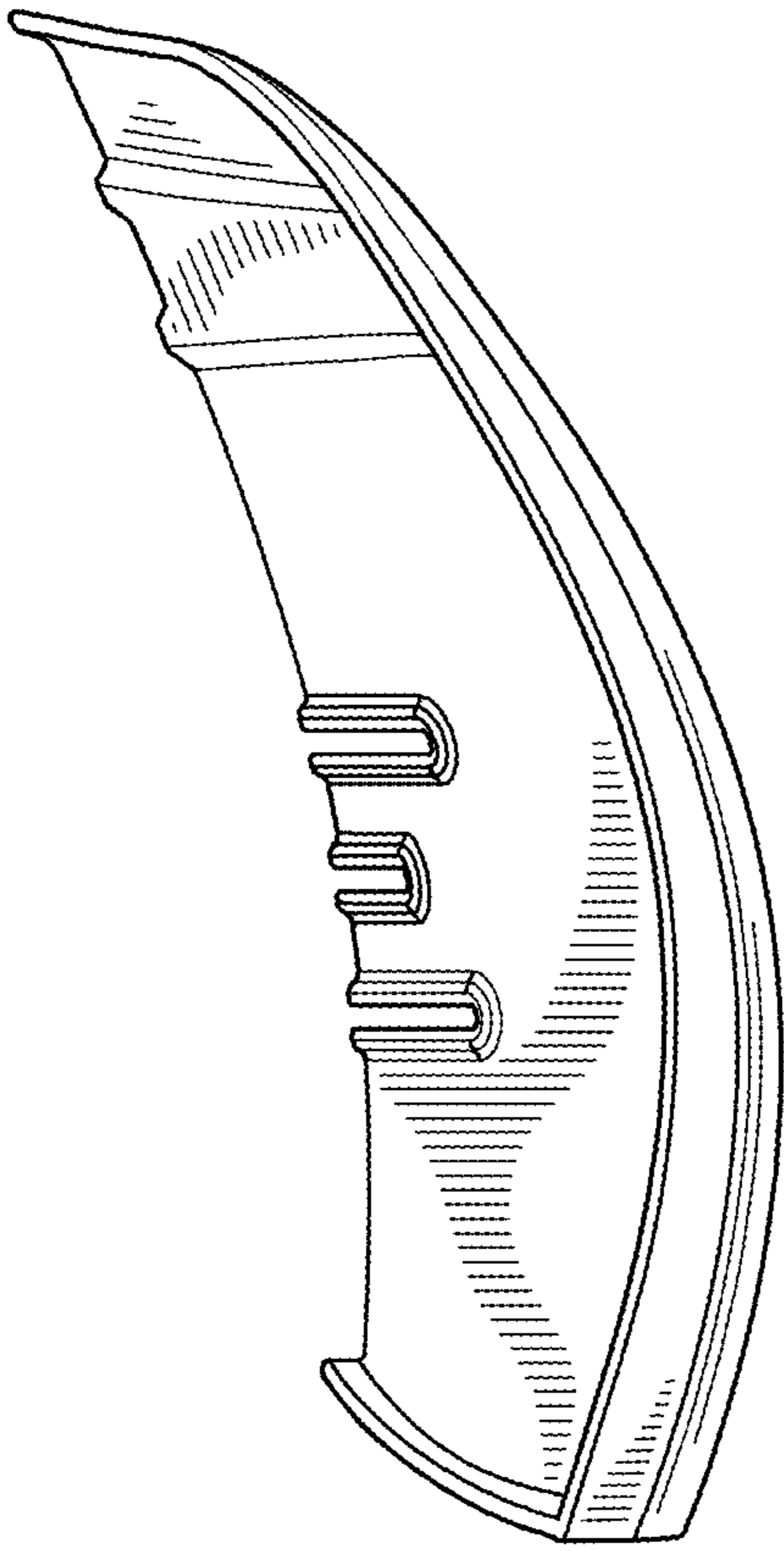


FIG. 4

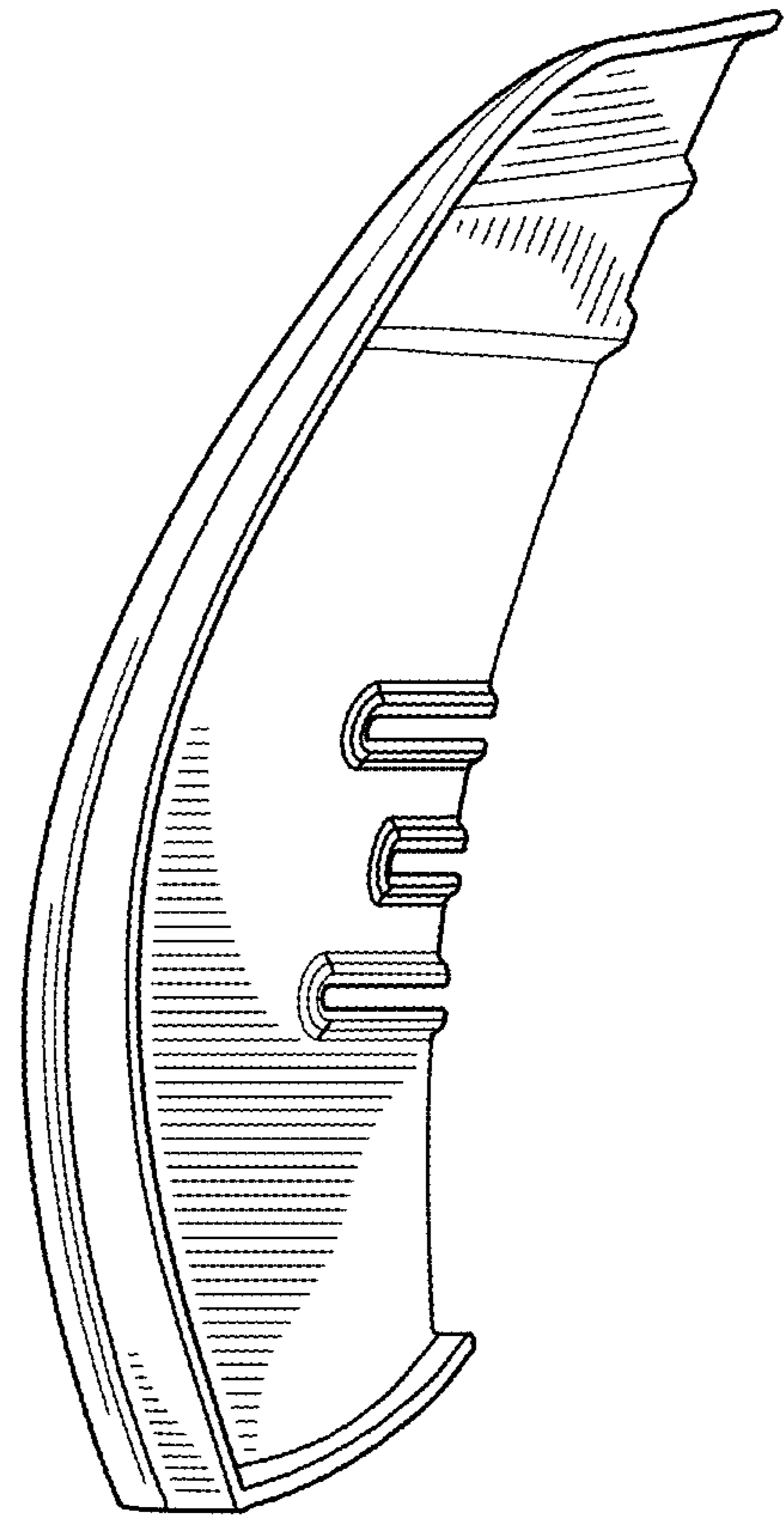


FIG. 5

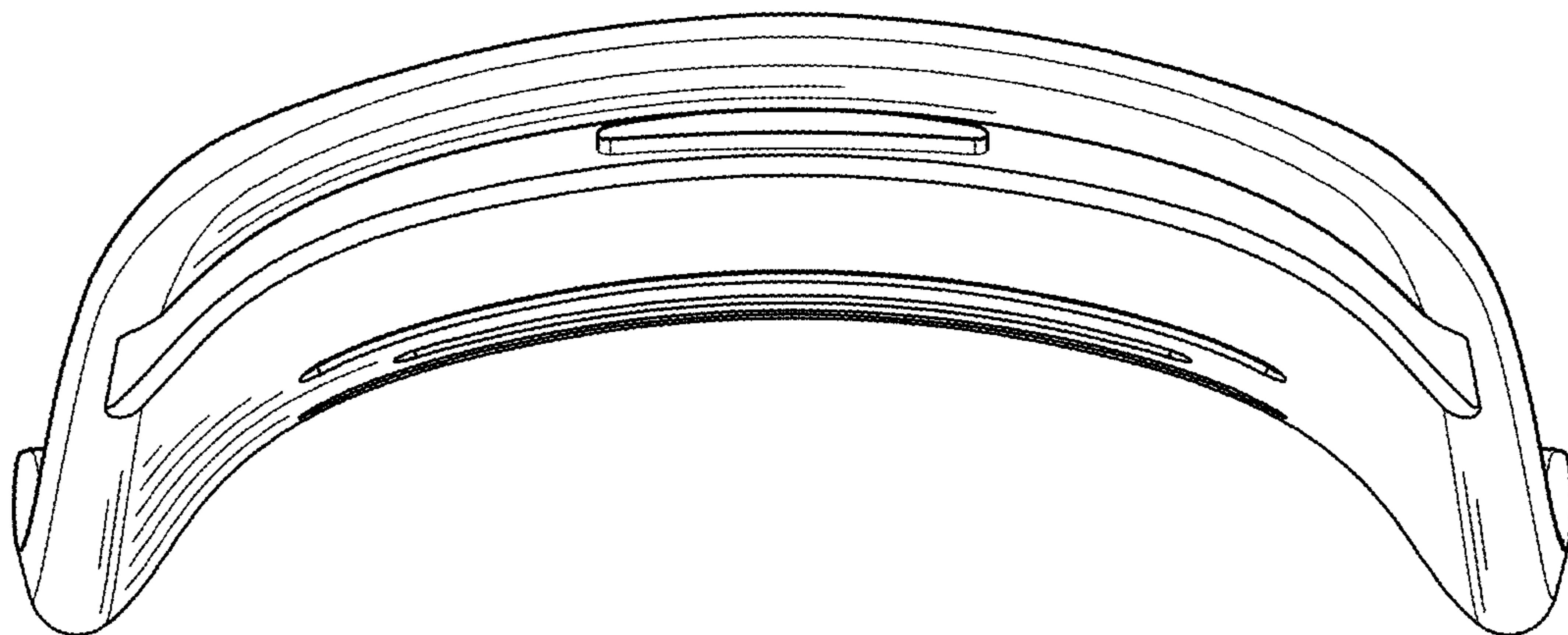


FIG. 6

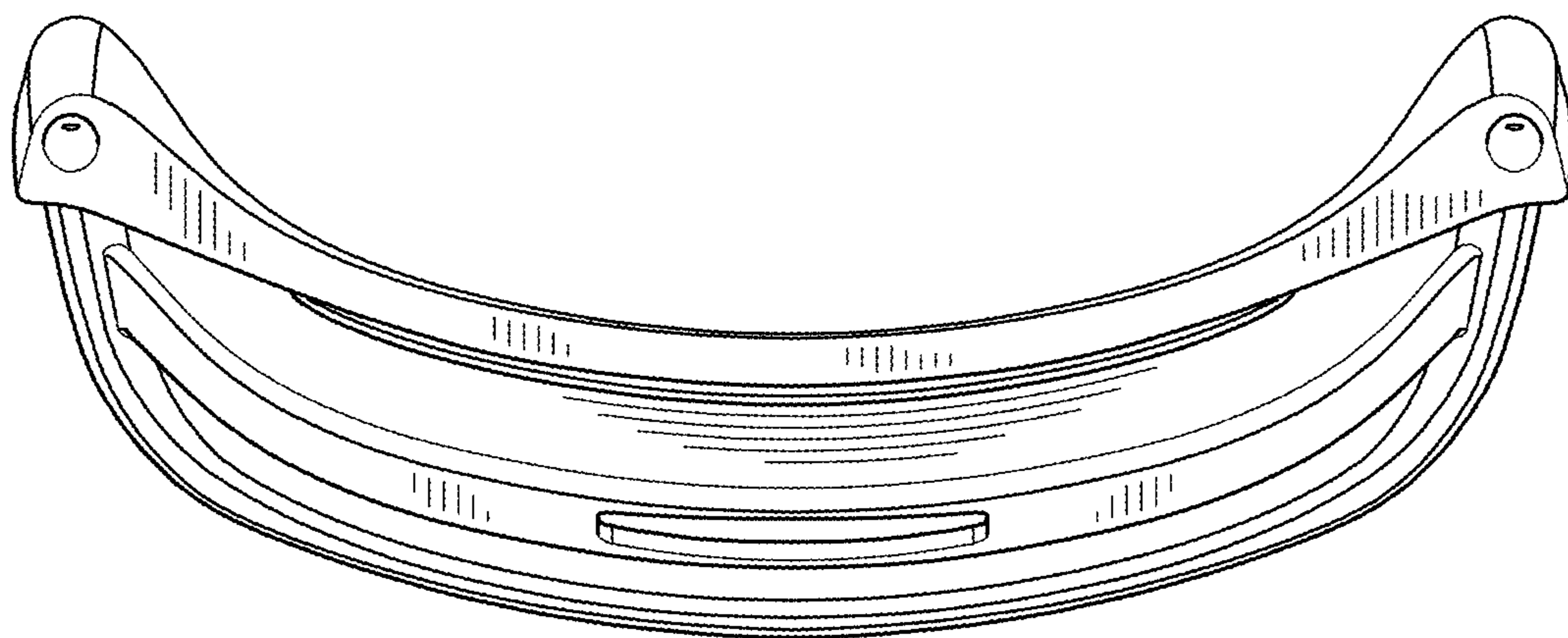


FIG. 7

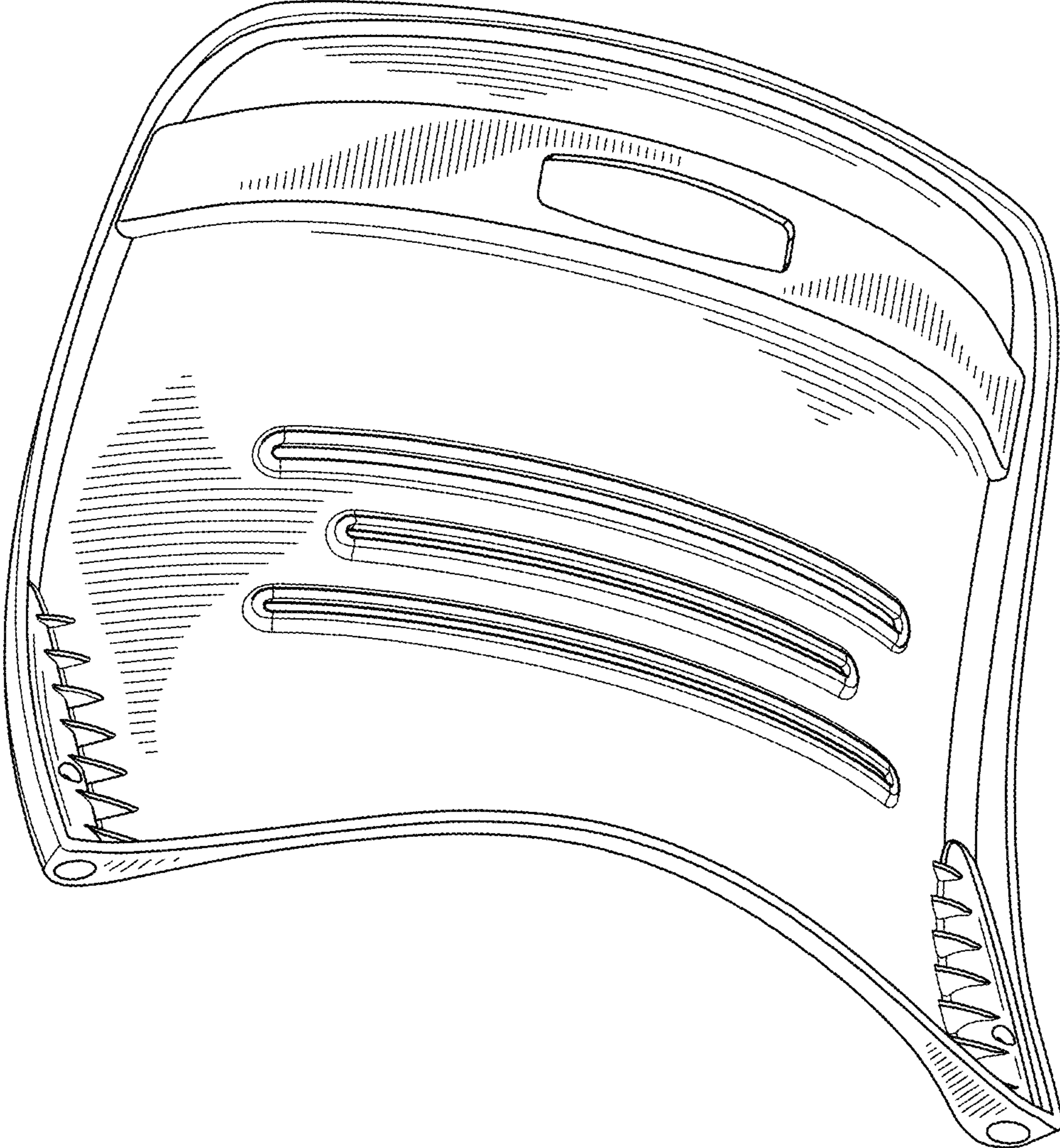


FIG. 8

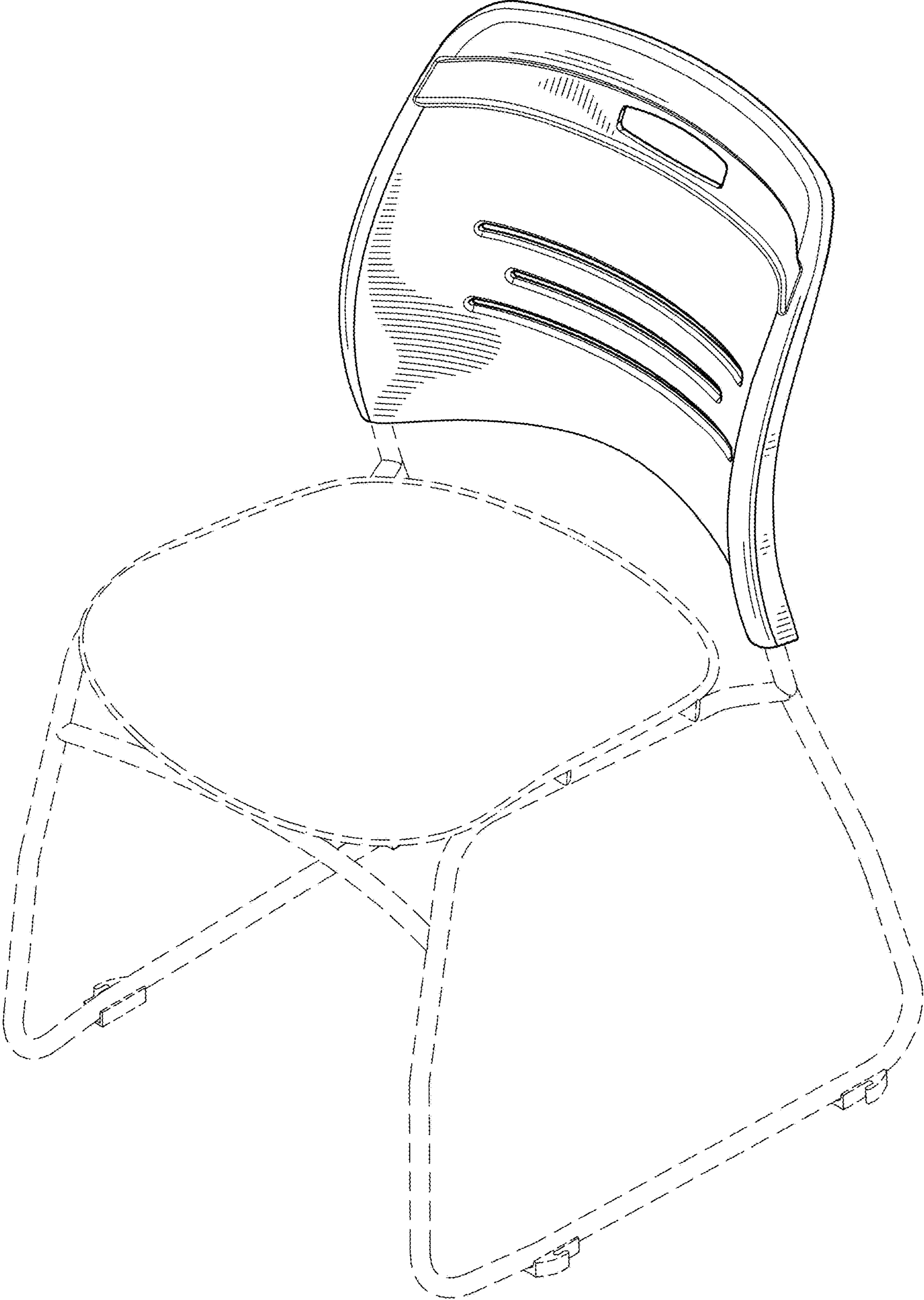


FIG. 9