

US00D913023S

(12) **United States Design Patent**
Chiang

(10) **Patent No.:** **US D913,023 S**

(45) **Date of Patent:** **** Mar. 16, 2021**

(54) **3 TIER RISER**
(71) Applicant: **My Gift Enterprise, LLC,**
Woodinville, WA (US)
(72) Inventor: **Cliff Chiang,** Woodinville, WA (US)
(**) Term: **15 Years**
(21) Appl. No.: **29/716,316**

4,760,800 A * 8/1988 Hanson A47B 81/002
108/152
D300,395 S * 3/1989 Emery, Jr. D6/675.1
D406,962 S * 3/1999 Simpson, II D6/678.1
D603,187 S * 11/2009 Conway D6/677.1
D774,597 S * 12/2016 Lowery D21/336
D813,952 S * 3/2018 Siepmann D21/336
D814,217 S * 4/2018 Clayton D6/678.1
D830,746 S * 10/2018 Johnson D6/677.1
D859,039 S * 9/2019 Pedersen D6/675.4
D883,720 S * 5/2020 Johnson D6/677.1
2010/0330240 A1* 12/2010 Jeffery A21C 15/00
426/383

(22) Filed: **Dec. 9, 2019**
(51) **LOC (13) Cl.** **06-06**
(52) **U.S. Cl.**
USPC **D6/678.2**
(58) **Field of Classification Search**
USPC D6/672, 675, 675.1, 678, 678.1, 678.2,
D6/705, 705.1, 707; D7/500, 501
CPC A47B 47/00; A47B 47/04; A47B 47/047;
A47B 96/02; A47F 5/0018; A47F 5/0043;
A47F 7/00
See application file for complete search history.

* cited by examiner

Primary Examiner — Kelley A Donnelly
(74) *Attorney, Agent, or Firm* — Dean A. Craine, P.C.

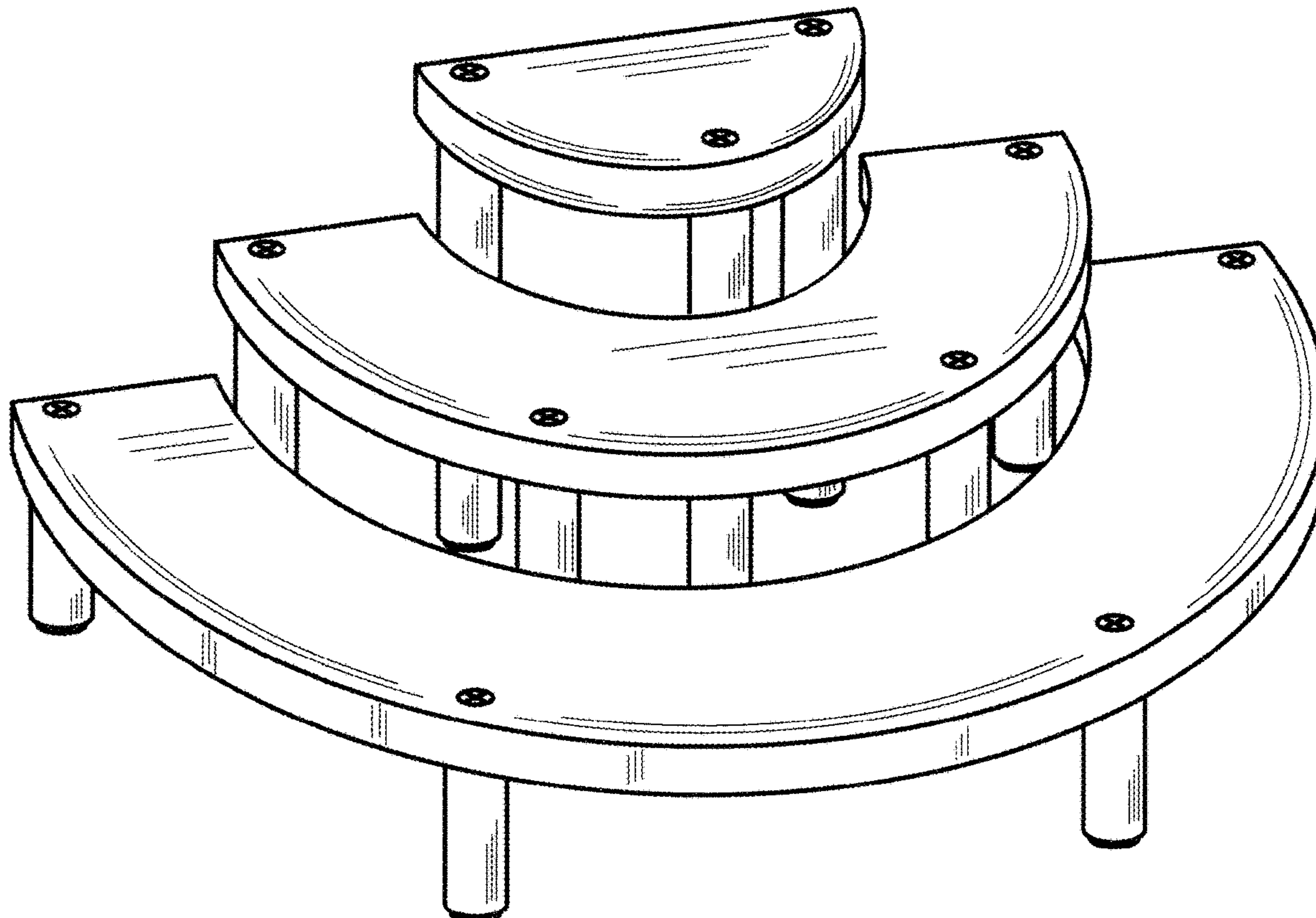
(57) **CLAIM**
The ornamental design for the 3 tier riser, as shown and described.

DESCRIPTION

FIG. 1 is a front perspective view of a 3 tier riser, showing my new design;
FIG. 2 is a front elevational view thereof;
FIG. 3 is a rear elevational view thereof;
FIG. 4 is a top plan view thereof;
FIG. 5 is a bottom plan view thereof; and,
FIG. 6 is a left-side elevational view of the invention, the right-side elevational view being a mirror image thereof.

(56) **References Cited**
U.S. PATENT DOCUMENTS
D149,046 S * 3/1948 Blumenthal et al. D7/501
D239,901 S * 5/1976 Goulder D6/678.1
D244,323 S * 5/1977 Stone D3/25
D254,941 S * 5/1980 Simmons D6/349
D263,534 S * 3/1982 Markus D6/678.1

1 Claim, 6 Drawing Sheets



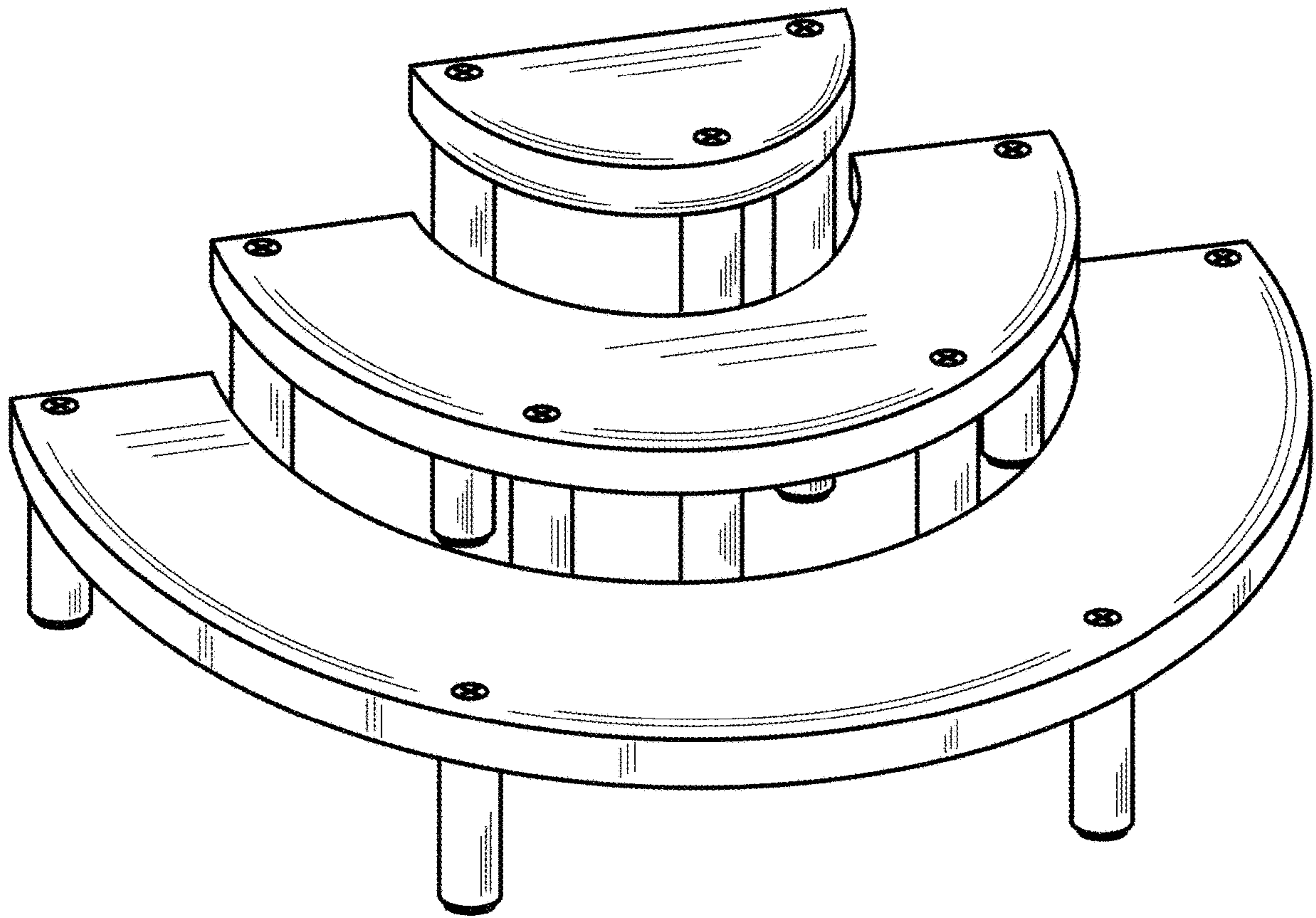


FIG. 1

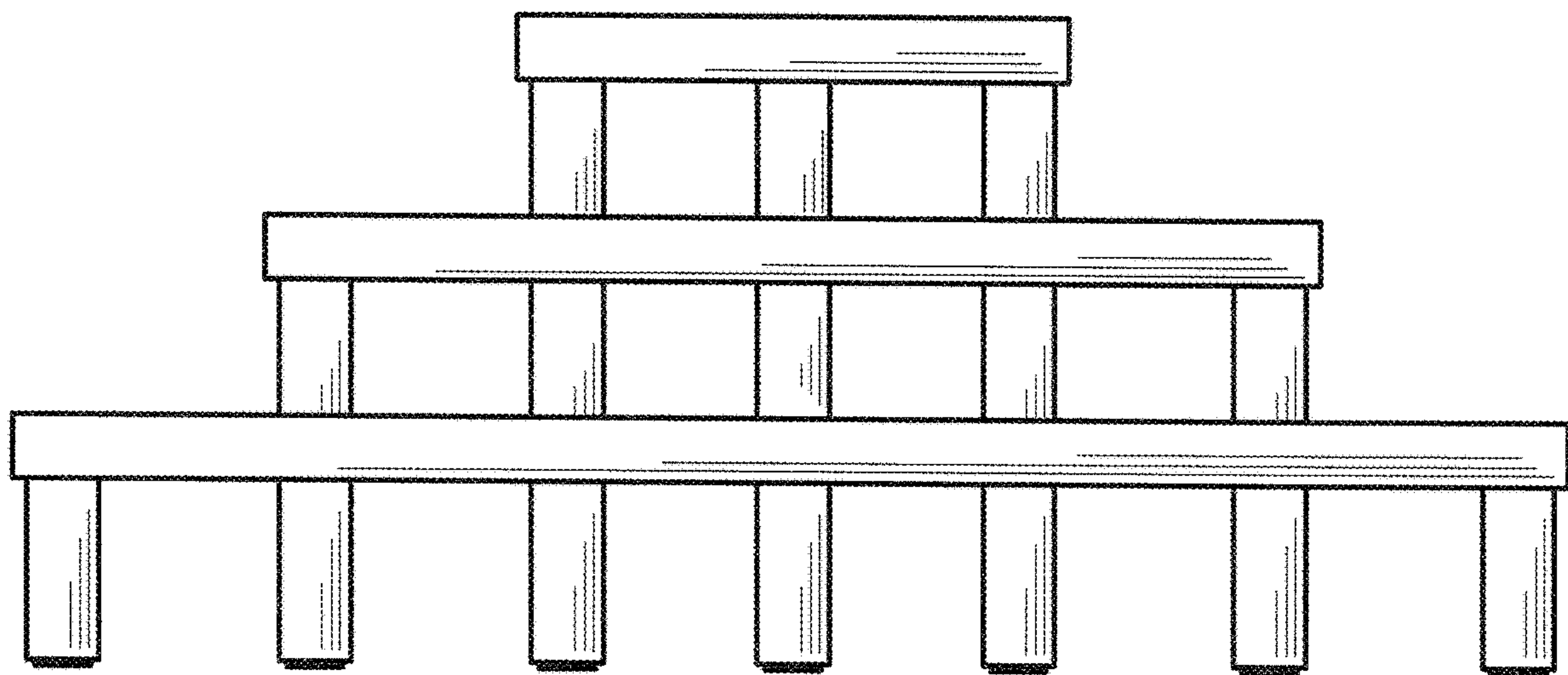


FIG. 2

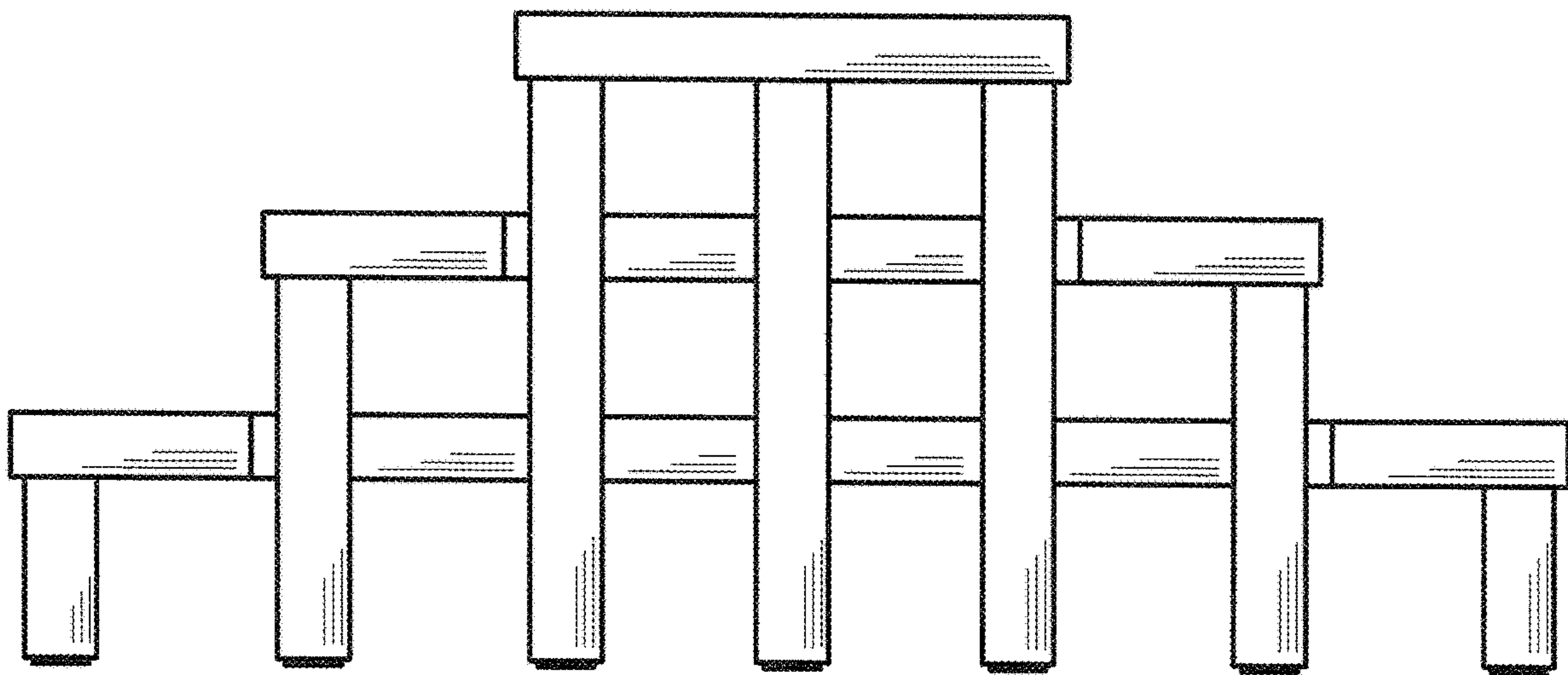


FIG. 3

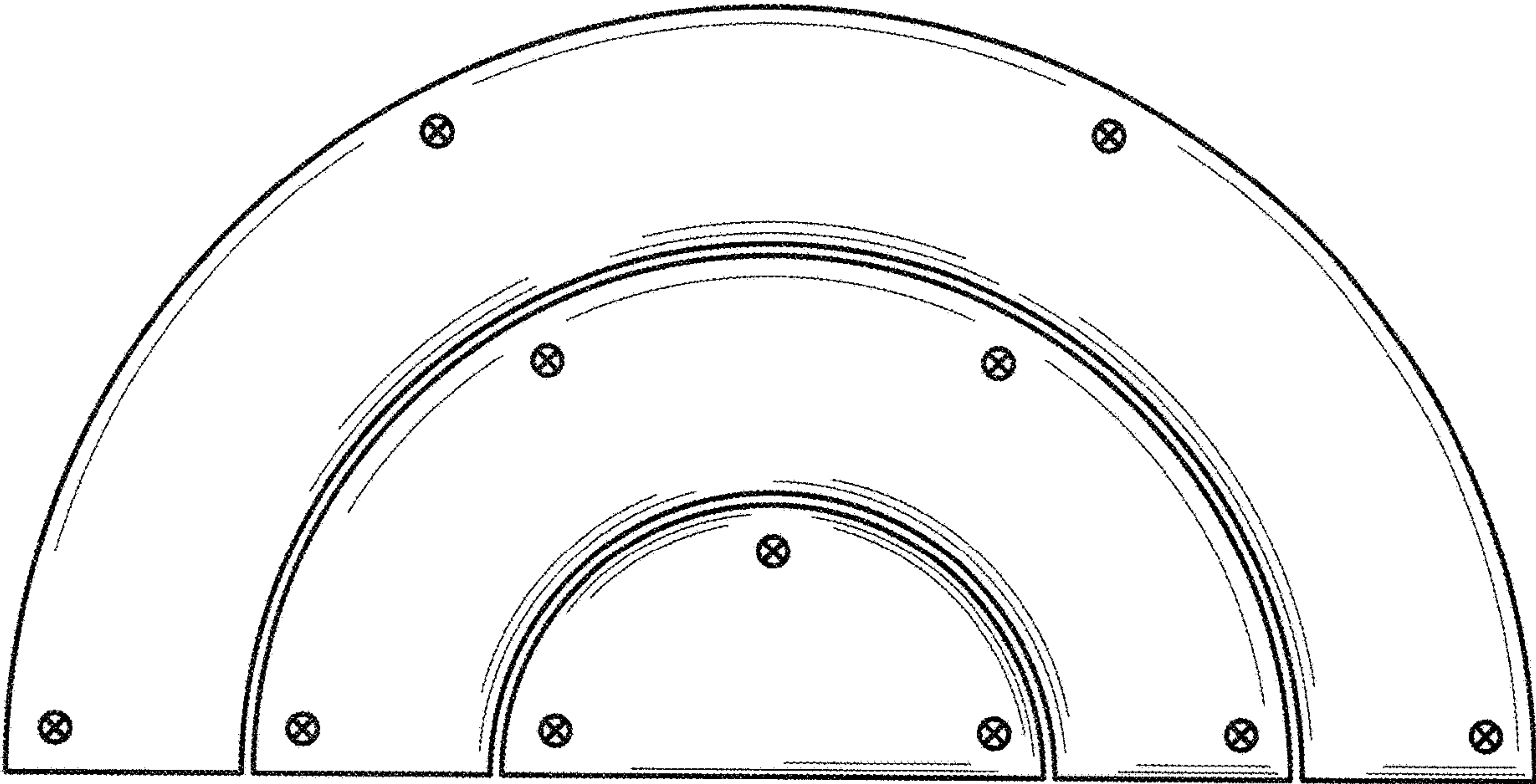


FIG. 4

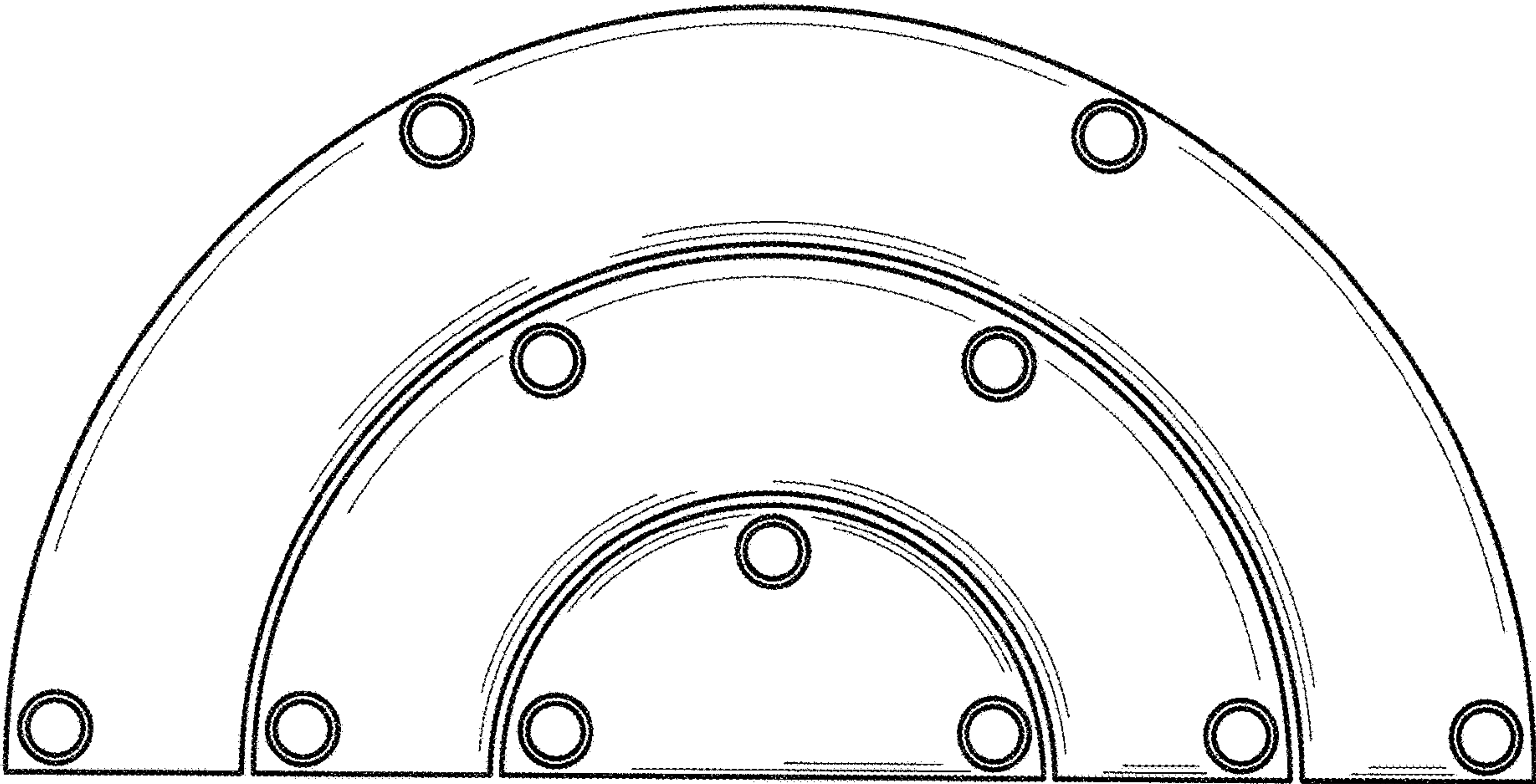


FIG. 5

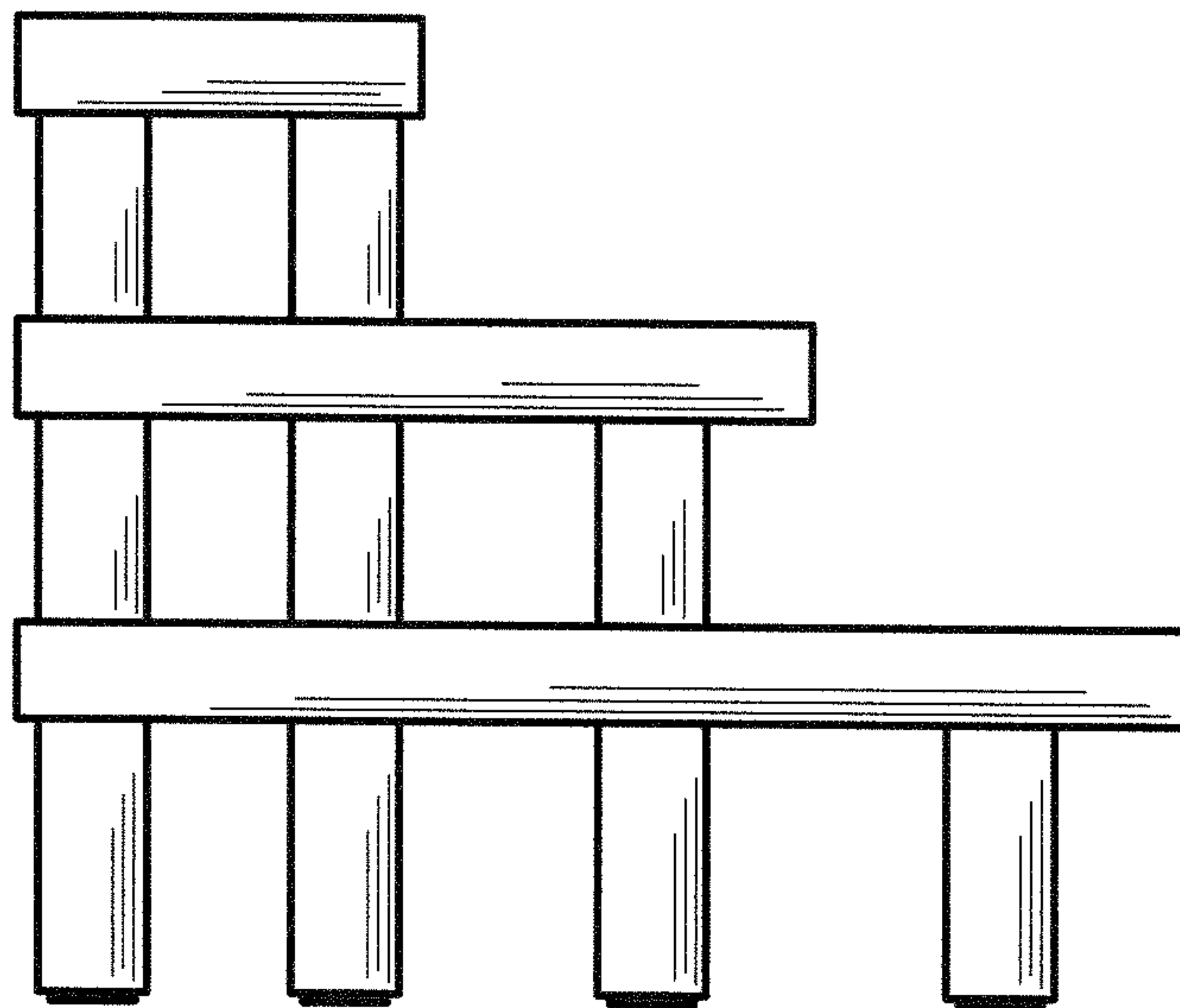


FIG. 6