



US00D913022S

(12) **United States Design Patent** (10) **Patent No.:** **US D913,022 S**  
**Li** (45) **Date of Patent:** **\*\* Mar. 16, 2021**

(54) **CABINET**

(71) Applicant: **39F USA INC**, Rancho Cucamonga, CA (US)

(72) Inventor: **Yuehai Li**, Rancho Cucamonga, CA (US)

(\*\*) Term: **15 Years**

(21) Appl. No.: **29/697,396**

(22) Filed: **Jul. 8, 2019**

(51) **LOC (13) Cl.** ..... **06-06**

(52) **U.S. Cl.**  
USPC ..... **D6/675.1**

(58) **Field of Classification Search**  
USPC ..... D6/329, 672, 675, 675.1, 682, 682.1, D6/682.2  
CPC ..... A47B 43/00; A47B 47/00; A47B 96/00; A47B 47/04; A47B 63/00  
See application file for complete search history.

(56) **References Cited**

**U.S. PATENT DOCUMENTS**

|           |     |        |                |       |             |
|-----------|-----|--------|----------------|-------|-------------|
| 3,905,662 | A * | 9/1975 | Richmond       | ..... | A47B 31/00  |
|           |     |        |                |       | 312/249.8   |
| 4,579,401 | A * | 4/1986 | Mears          | ..... | A47B 43/00  |
|           |     |        |                |       | 312/258     |
| D300,491  | S * | 4/1989 | Grossman       | ..... | D34/21      |
| 5,040,690 | A * | 8/1991 | van der Schoot | ..... | A47B 71/00  |
|           |     |        |                |       | 211/135     |
| 5,314,244 | A * | 5/1994 | Swets          | ..... | E05B 65/467 |
|           |     |        |                |       | 211/181.1   |
| D373,692  | S * | 9/1996 | Staeger        | ..... | D6/660      |
| D384,227  | S * | 9/1997 | Grosfillex     | ..... | D6/675.1    |
| D396,581  | S * | 8/1998 | Schubert       | ..... | D34/17      |
| D398,788  | S * | 9/1998 | Schubert       | ..... | D34/20      |

|              |      |         |            |       |            |
|--------------|------|---------|------------|-------|------------|
| D409,019     | S *  | 5/1999  | Crinion    | ..... | D34/21     |
| D440,078     | S *  | 4/2001  | Carrabba   | ..... | D6/675.1   |
| D450,488     | S *  | 11/2001 | Stone      | ..... | D6/675.1   |
| D462,008     | S *  | 8/2002  | Stone      | ..... | D9/436     |
| D515,847     | S *  | 2/2006  | Moon       | ..... | D6/675.1   |
| D541,558     | S *  | 5/2007  | Meyer      | ..... | D6/675.1   |
| D545,590     | S *  | 7/2007  | Good       | ..... | D6/671.1   |
| D664,377     | S *  | 7/2012  | Pennacchio | ..... | D6/675.1   |
| D703,466     | S *  | 4/2014  | Franck     | ..... | D6/675     |
| D715,077     | S *  | 10/2014 | Everson    | ..... | D6/675.1   |
| D719,380     | S *  | 12/2014 | Ward       | ..... | D6/675.1   |
| D743,190     | S *  | 11/2015 | Franck     | ..... | D6/675     |
| D775,871     | S *  | 1/2017  | Volz       | ..... | D6/675.1   |
| D787,238     | S *  | 5/2017  | Miller     | ..... | D6/657     |
| 9,968,697    | B1 * | 5/2018  | Philipps   | ..... | A61L 2/24  |
| 10,021,995   | B2 * | 7/2018  | Volz       | ..... | A47F 5/10  |
| 10,123,634   | B2 * | 11/2018 | Volz       | ..... | A47F 5/10  |
| D888,469     | S *  | 6/2020  | McDonald   | ..... | D6/661     |
| 2018/0125236 | A1 * | 5/2018  | Grela      | ..... | E05D 15/58 |

\* cited by examiner

*Primary Examiner* — Kelley A Donnelly  
(74) *Attorney, Agent, or Firm* — Feng Qian

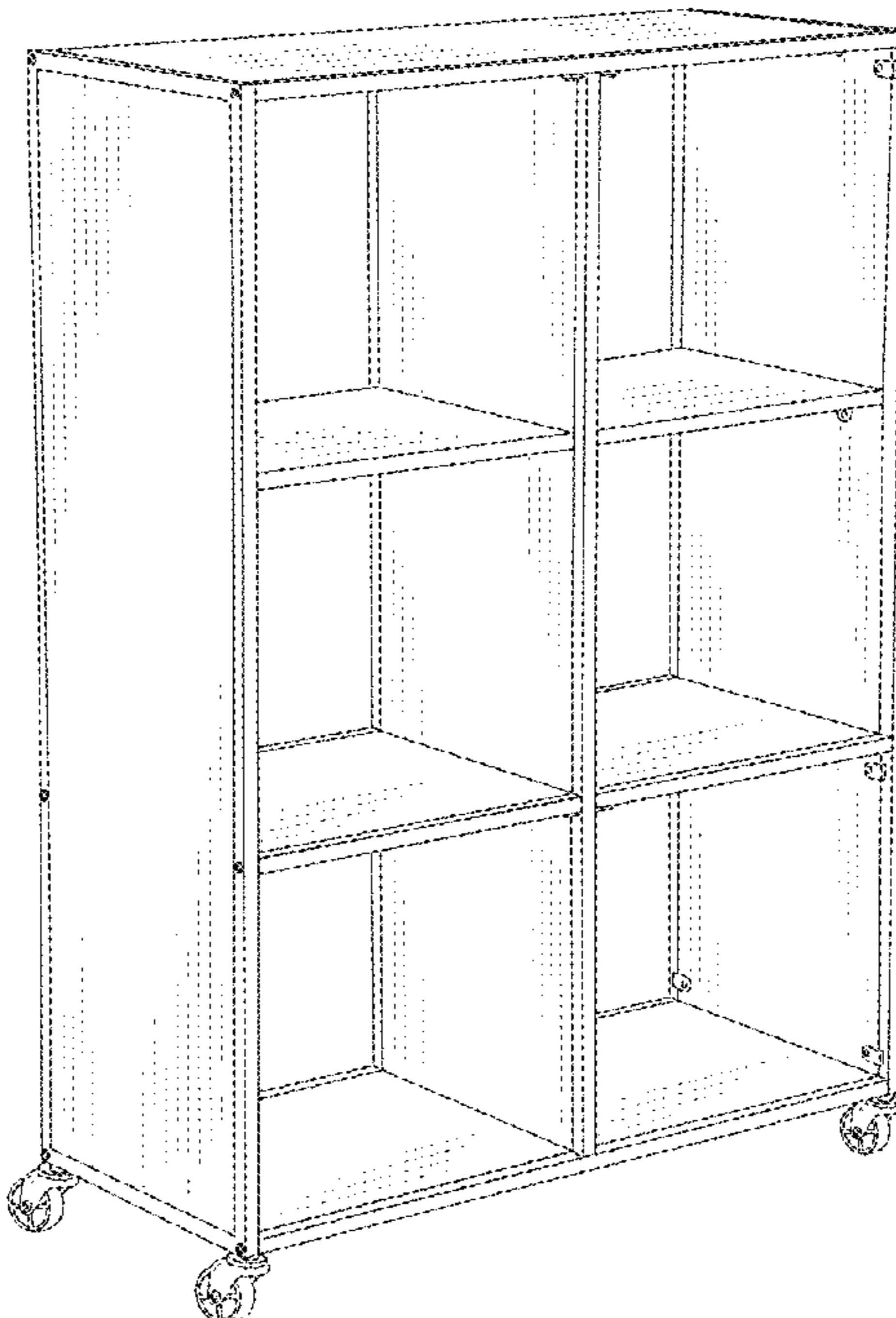
(57) **CLAIM**

The ornamental design for a cabinet, as shown and described.

**DESCRIPTION**

FIG. 1 is a front perspective view of a cabinet showing my new design;  
FIG. 2 is a front elevation view thereof;  
FIG. 3 is a rear elevation view thereof;  
FIG. 4 is a left-side elevation view thereof;  
FIG. 5 is a right-side elevation view thereof;  
FIG. 6 is a top plan view thereof; and,  
FIG. 7 is a rear plan view thereof.

**1 Claim, 7 Drawing Sheets**



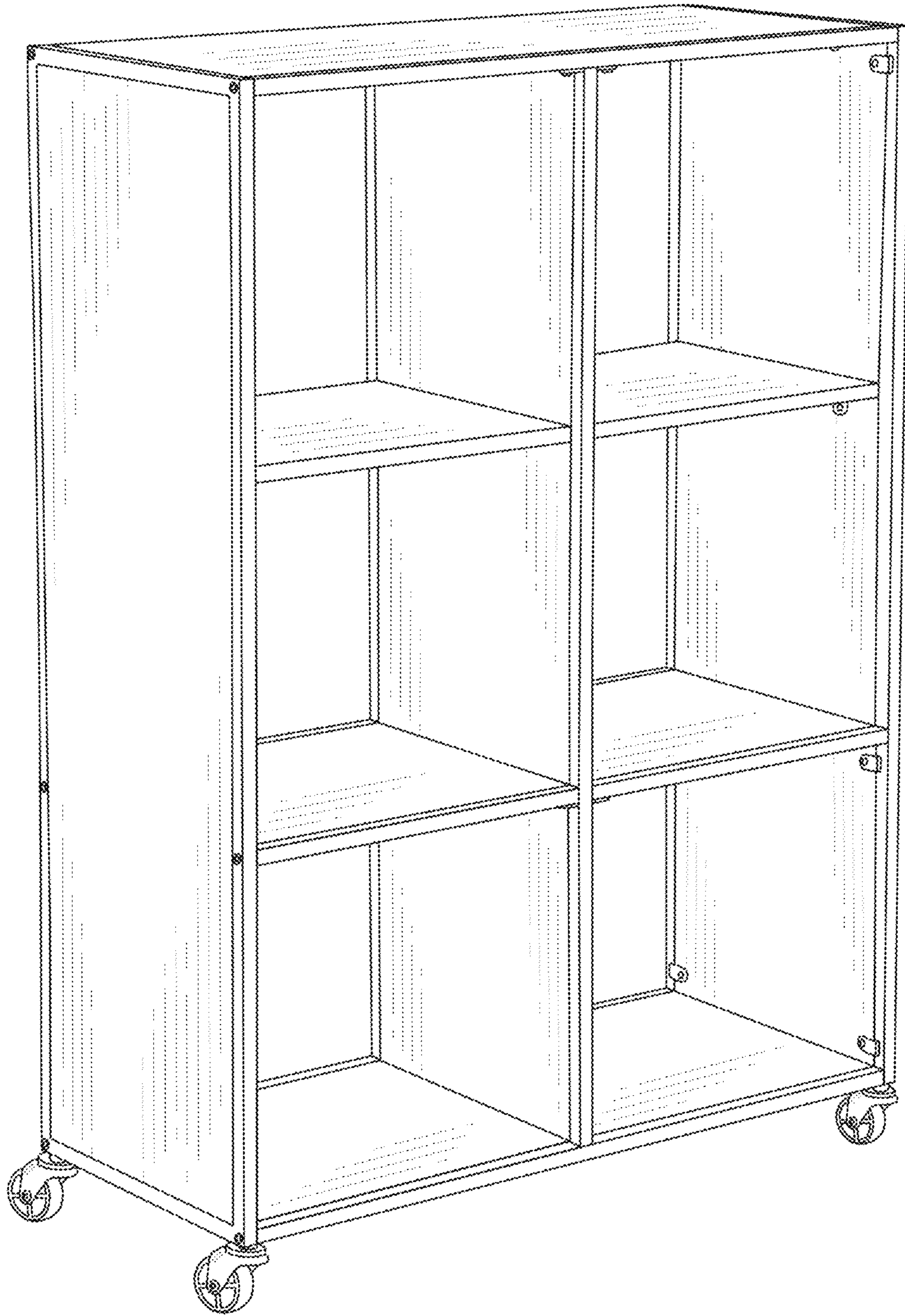


Fig.1

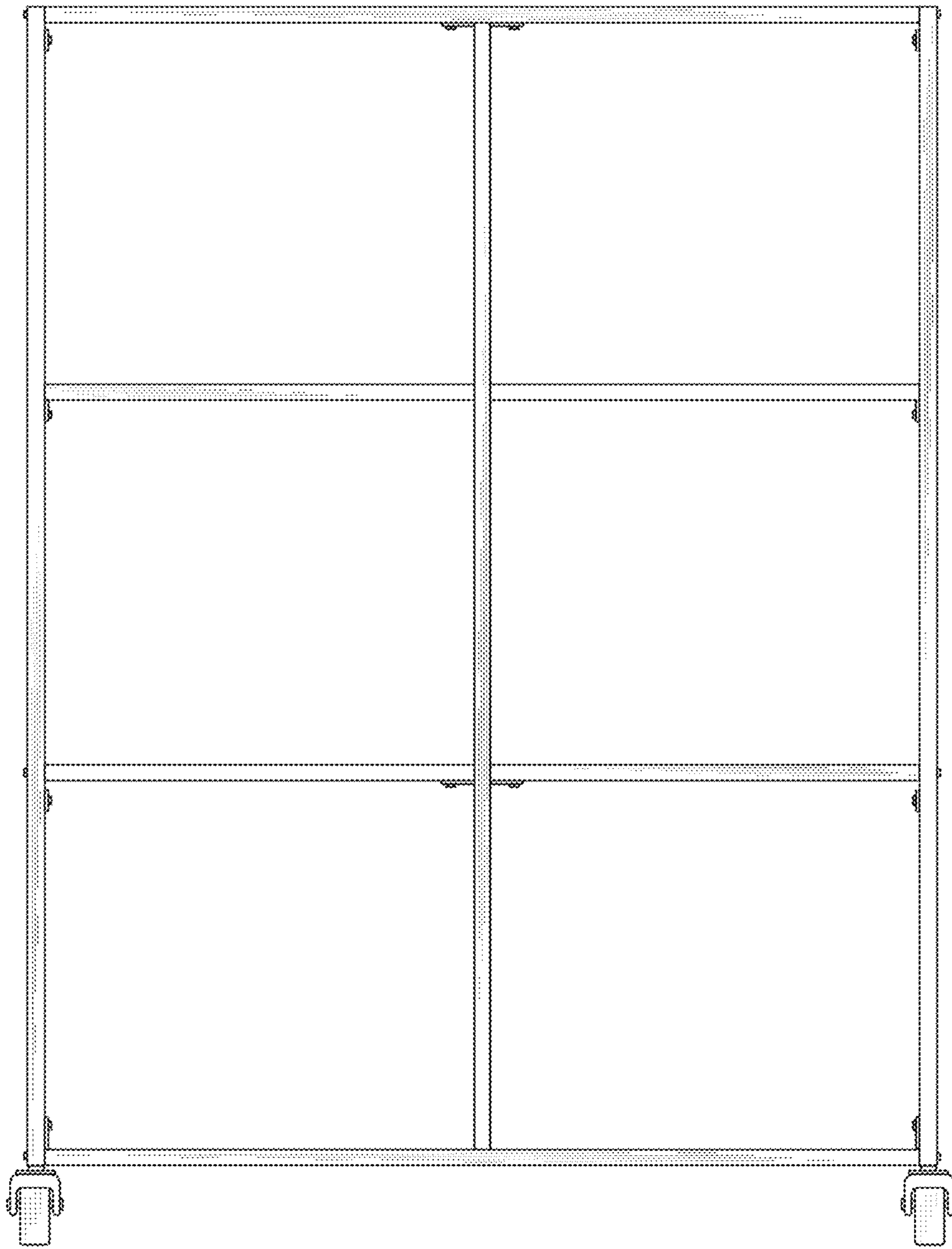


Fig.2

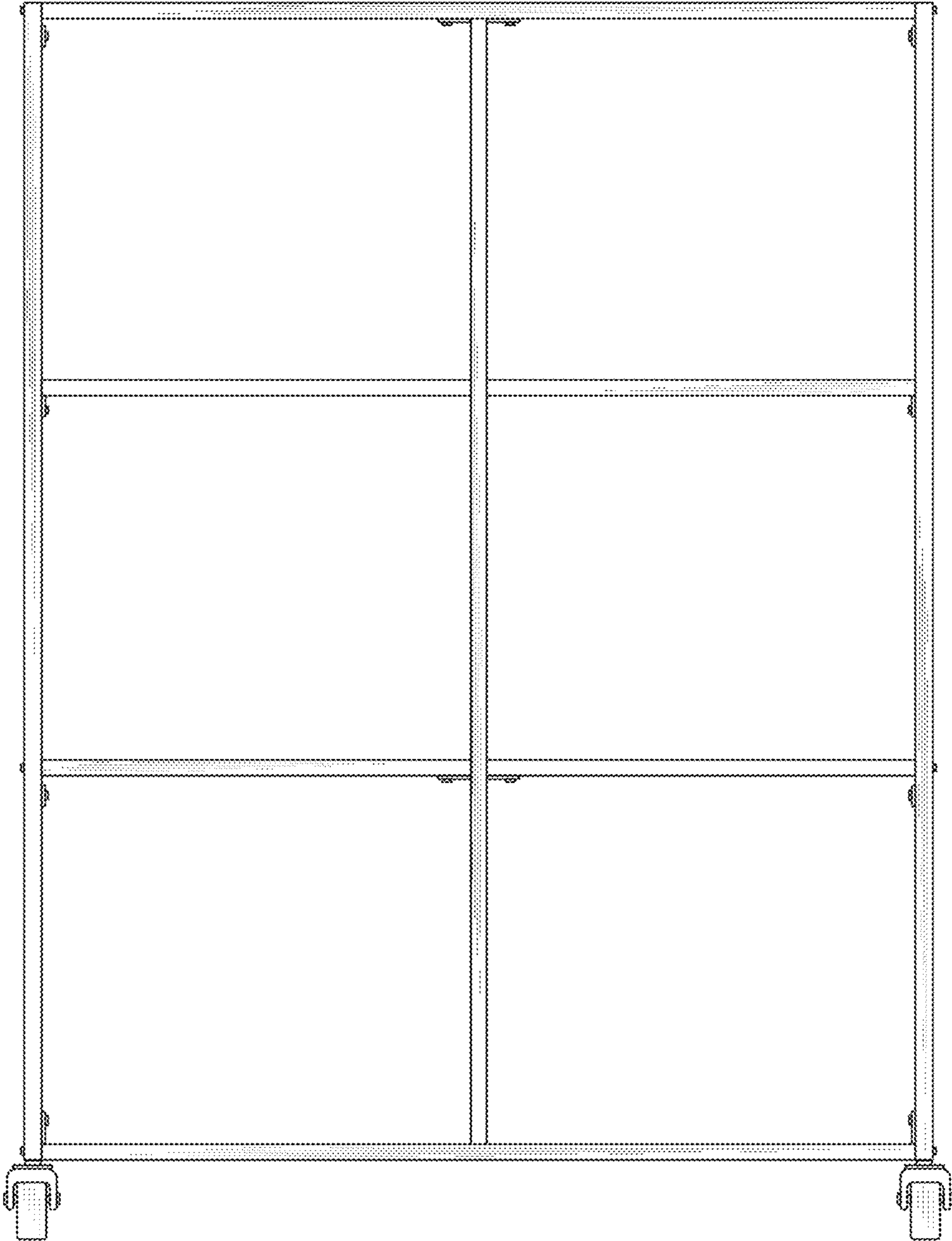


Fig.3

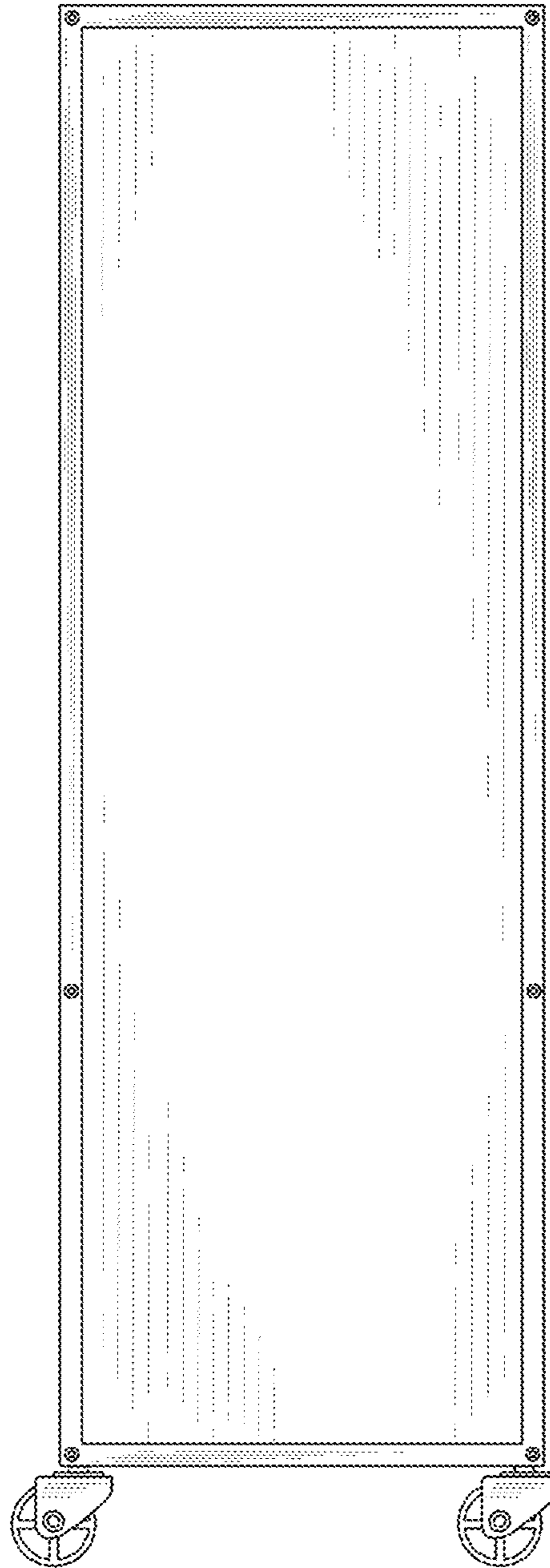


Fig.4

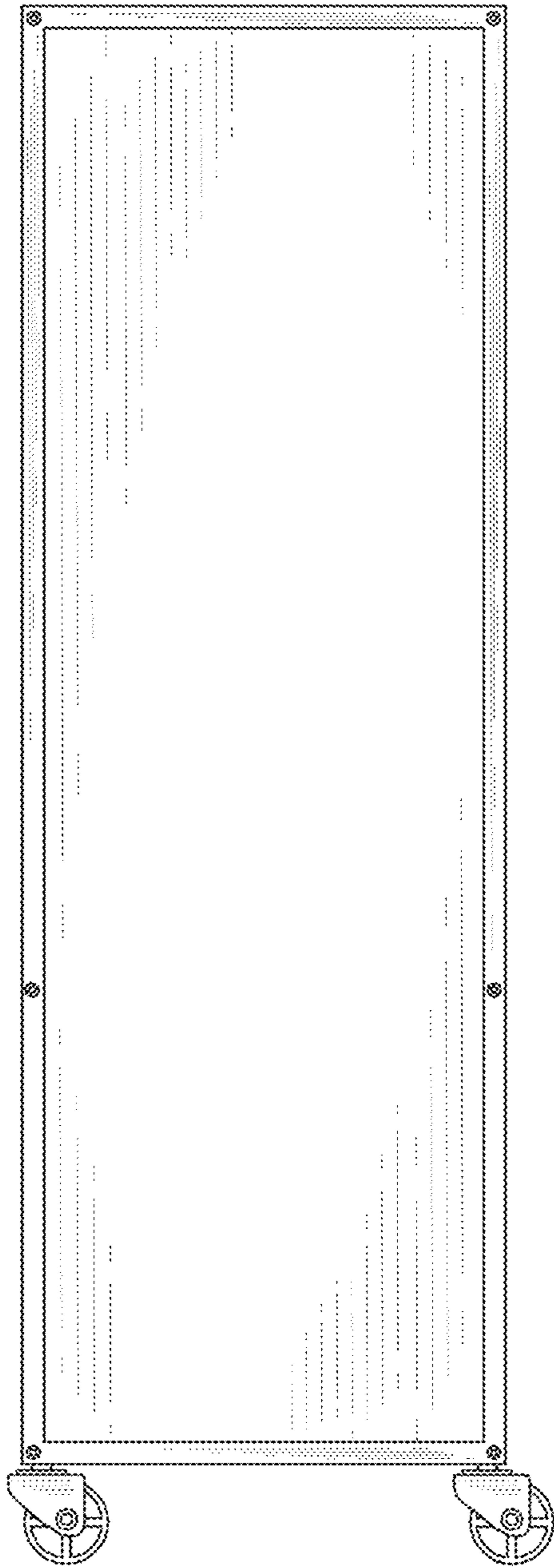


Fig.5

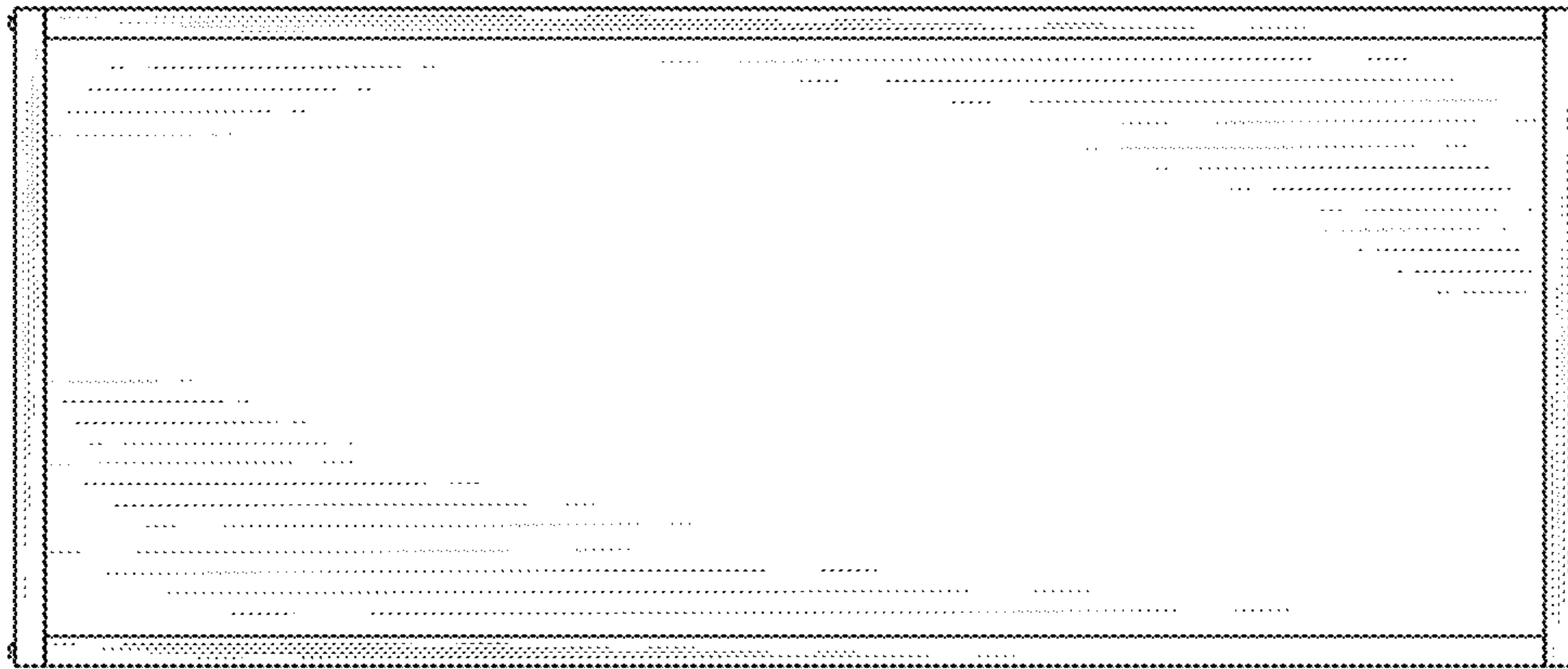


Fig.6

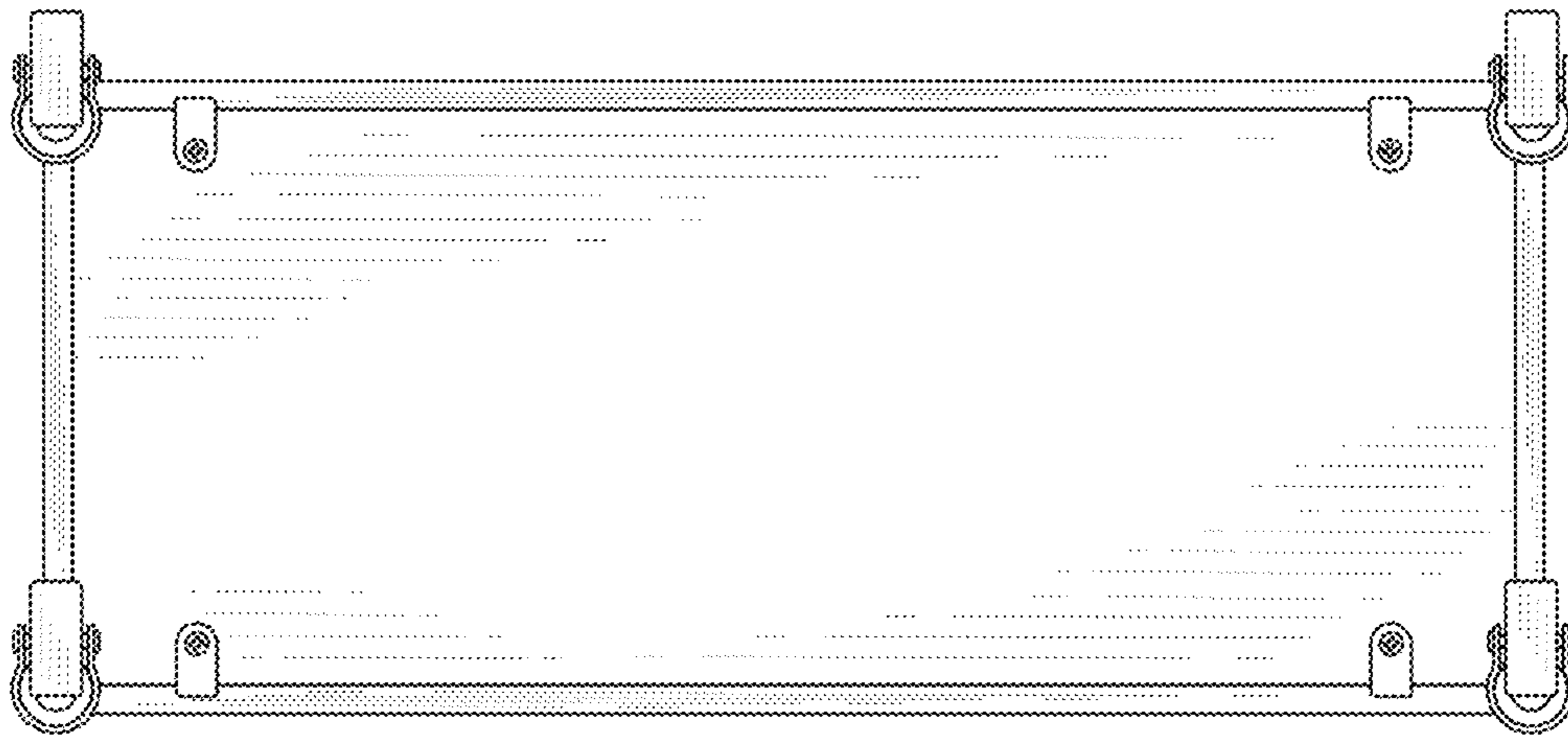


Fig.7