



US00D913019S

(12) **United States Design Patent**
Norwalk et al.

(10) **Patent No.:** **US D913,019 S**
(45) **Date of Patent:** **** Mar. 16, 2021**

(54) **DESK**

(71) Applicant: **Key Ovation, LLC**, Cedar Park, TX (US)
(72) Inventors: **Mark Norwalk**, Austin, TX (US);
Jason Cunningham, Leander, TX (US);
Chris Linegar, Sydney (AU)
(73) Assignee: **Key Ovation, LLC**, Cedar Park, TX (US)

(**) Term: **15 Years**

(21) Appl. No.: **29/682,699**

(22) Filed: **Mar. 7, 2019**

(51) **LOC (13) Cl.** **06-03**

(52) **U.S. Cl.**
USPC **D6/655**

(58) **Field of Classification Search**
USPC D6/641-643, 643.1, 644, 647, 655,
D6/655.11, 655.12, 655.18
CPC A47B 7/00; A47B 9/00; A47B 9/16; A47B
9/20; A47B 2009/003; A47B 13/00; A47B
13/02; A47B 13/04; A47B 13/06; A47B
13/08; A47B 13/081; A47B 17/00; A47B
19/00; A47B 21/00; A47B 21/02; A47B
21/03; A47B 21/0392; A47B 23/00; A47B
23/04

See application file for complete search history.

(56) **References Cited**

U.S. PATENT DOCUMENTS

5,722,331 A 3/1998 Machael
5,881,984 A 3/1999 Lin
7,677,518 B2 3/2010 Chouinard et al.
8,544,391 B2 10/2013 Knox et al.
8,671,853 B2 3/2014 Flaherty
9,055,810 B2 6/2015 Flaherty

(Continued)

FOREIGN PATENT DOCUMENTS

CN 105342138 A 2/2016
CN 205947441 U 2/2017

(Continued)

Primary Examiner — Mary Ann Calabrese
(74) *Attorney, Agent, or Firm* — Dykema Gossett PLLC

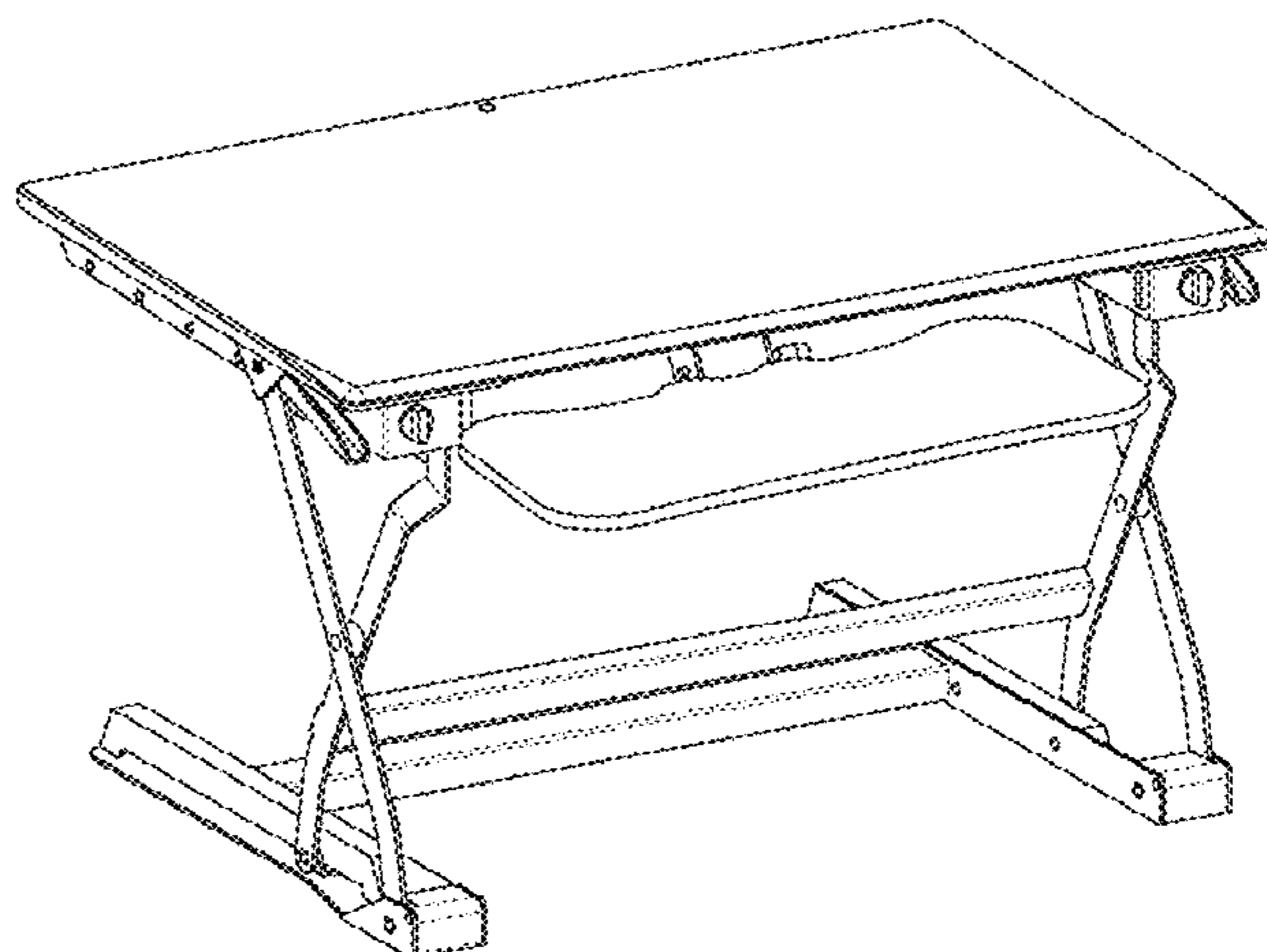
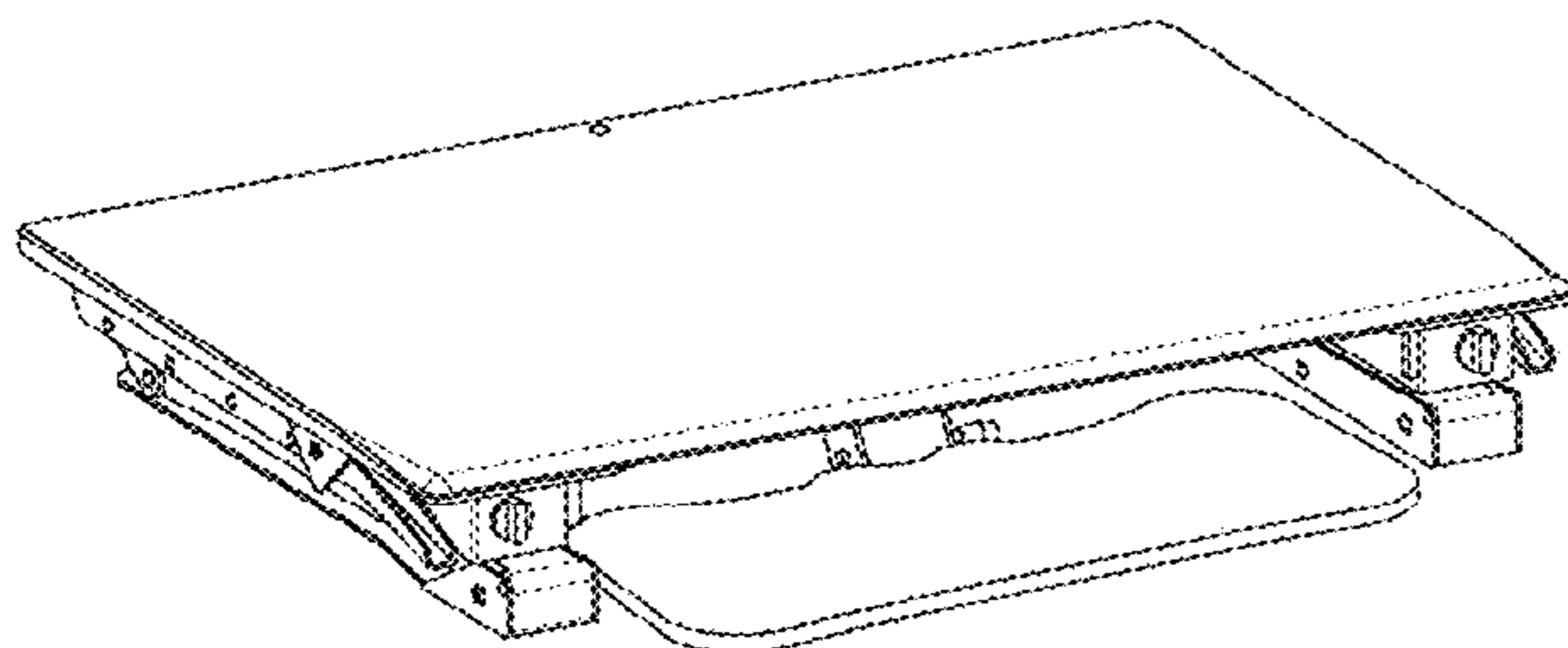
(57) **CLAIM**

We claim the ornamental design for a desk, as shown and described.

DESCRIPTION

FIG. 1 is a perspective view of a desk in a lowered position. FIG. 2 is a top plan view of the desk depicted in FIG. 1. FIG. 3 is a bottom plan view of the desk depicted in FIG. 1. FIG. 4 is a right side elevational view of the desk depicted in FIG. 1. FIG. 5 is a left side elevational view of the desk depicted in FIG. 1. FIG. 6 is a front elevational view of the desk depicted in FIG. 1. FIG. 7 is a rear elevational view of the desk depicted in FIG. 1. FIG. 8 is a perspective view of the desk of FIG. 1 in a raised position. FIG. 9 is a top plan view of the desk depicted in FIG. 8. FIG. 10 is a bottom plan view of the desk depicted in FIG. 8. FIG. 11 is a right side elevational view of the desk depicted in FIG. 8. FIG. 12 is a left side elevational view of the desk depicted in FIG. 8. FIG. 13 is a front elevational view of the desk depicted in FIG. 8; and, FIG. 14 is a rear elevational view of the desk depicted in FIG. 8.

1 Claim, 8 Drawing Sheets



(56)

References Cited

U.S. PATENT DOCUMENTS

9,113,703 B2 8/2015 Flaherty
 9,133,976 B2 9/2015 Lin et al.
 9,277,809 B2 3/2016 Flaherty et al.
 9,326,598 B1 5/2016 West et al.
 9,504,316 B1 11/2016 Streicher et al.
 9,554,644 B2 1/2017 Flaherty et al.
 9,615,655 B1 4/2017 Huang
 9,644,378 B2 5/2017 Knox
 9,681,746 B1 6/2017 Chen
 9,814,309 B2 11/2017 Kim
 9,924,793 B2 3/2018 Flaherty et al.
 9,961,991 B1* 5/2018 Chen A47B 21/02
 D830,739 S * 10/2018 Min A47B 21/02
 D6/655
 D837,574 S * 1/2019 Hu A47B 9/10
 D6/655
 D845,037 S * 4/2019 Min A47B 21/0314
 D6/655
 D864,619 S * 10/2019 Hu A47B 21/02
 D6/655
 2007/0152122 A1 7/2007 Kirchhoff

2014/0144352 A1 5/2014 Roberts
 2015/0008072 A1* 1/2015 Knox B60N 2/1685
 182/141
 2015/0289641 A1 10/2015 Ergun et al.
 2016/0120300 A1 5/2016 Ergun et al.
 2018/0008037 A1* 1/2018 Laudadio A47B 21/0314
 2018/0055214 A1 3/2018 Kim et al.
 2018/0084903 A1 3/2018 Liao et al.
 2018/0103752 A1 4/2018 Zhong
 2018/0125227 A1* 5/2018 Xiang A47B 9/10
 2018/0132607 A1 5/2018 Flaherty et al.
 2018/0140089 A1 5/2018 Blackburn
 2018/0192769 A1* 7/2018 Xiang A47B 21/02
 2018/0213929 A1 8/2018 Ergun et al.
 2018/0279770 A1 10/2018 Crowe et al.
 2019/0110588 A1* 4/2019 Wong A47B 21/0314

FOREIGN PATENT DOCUMENTS

CN 205956689 U 2/2017
 EP 2842458 A1 4/2015
 WO 2016129971 A1 8/2016
 WO 2016171511 A1 10/2016
 WO 2018072365 A1 4/2018

* cited by examiner

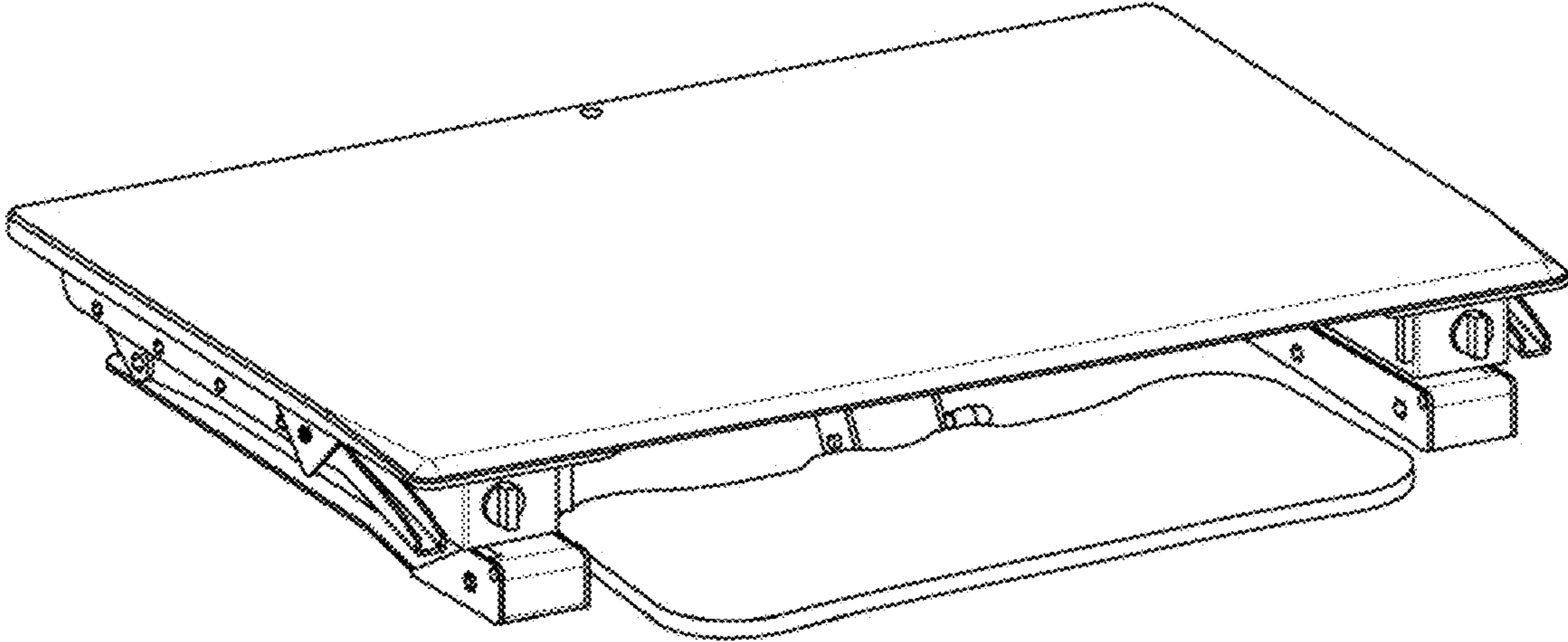


FIG. 1

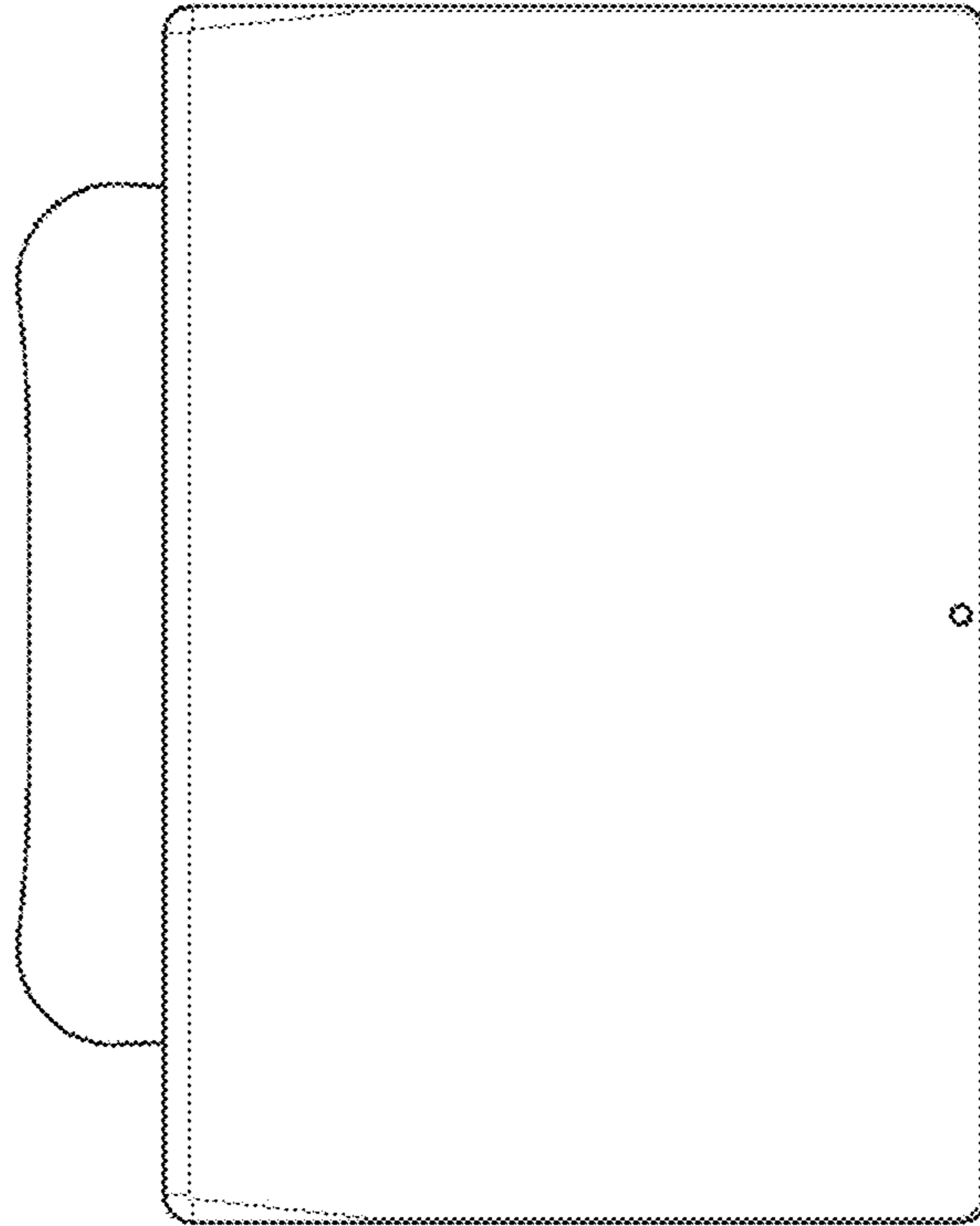


FIG. 2

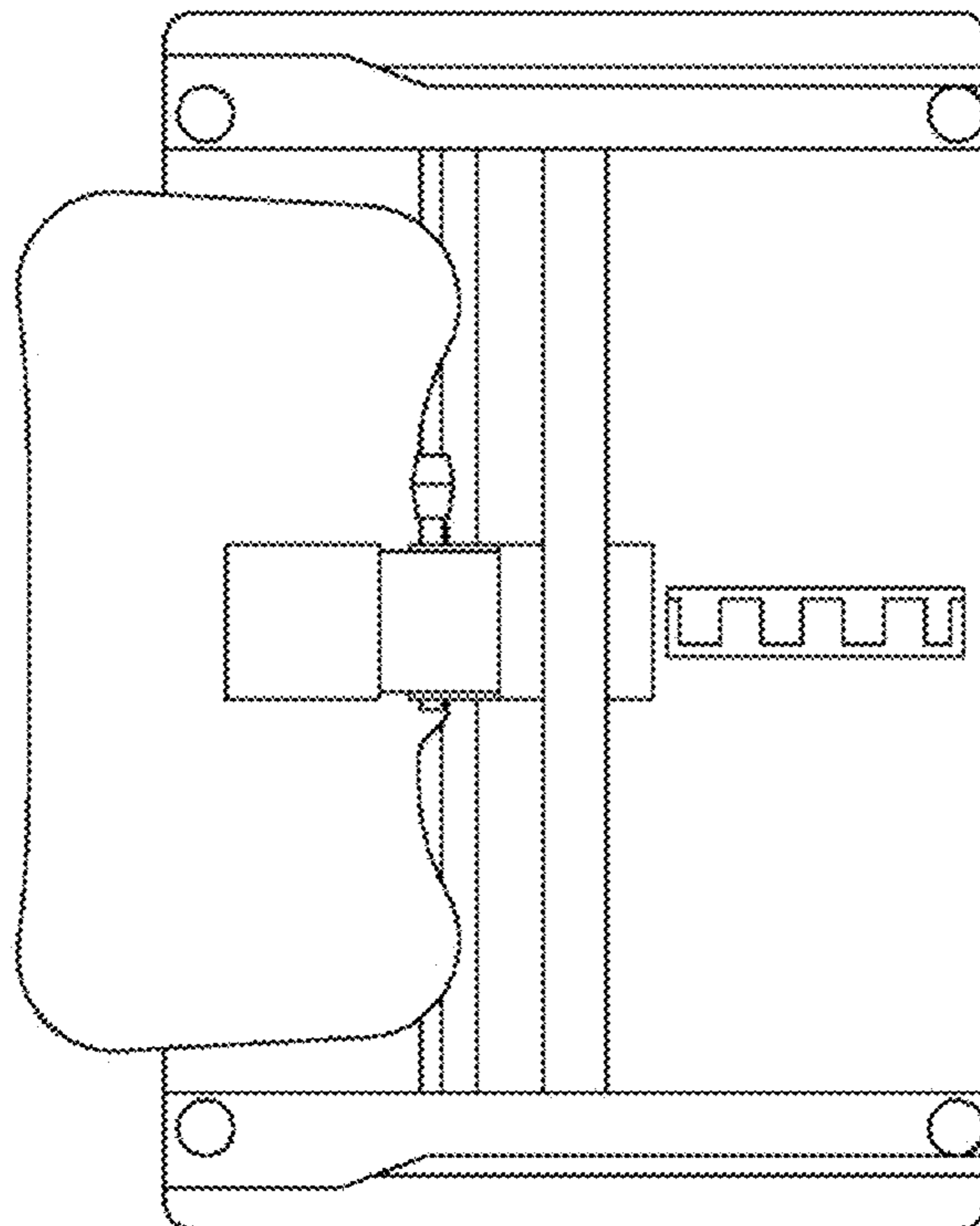


FIG. 3

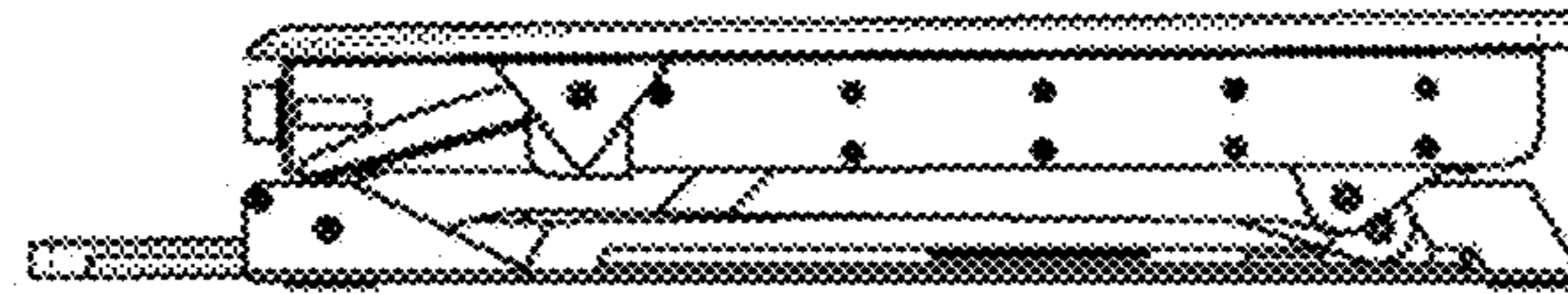


FIG. 4



FIG. 5

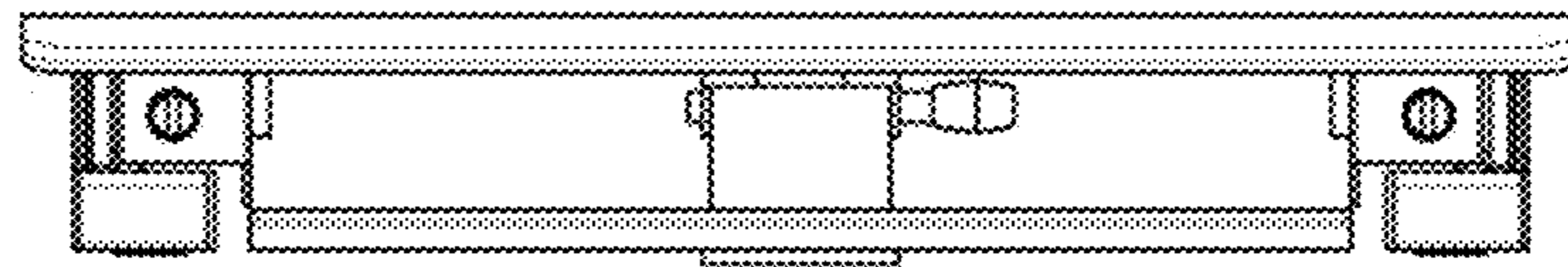


FIG. 6

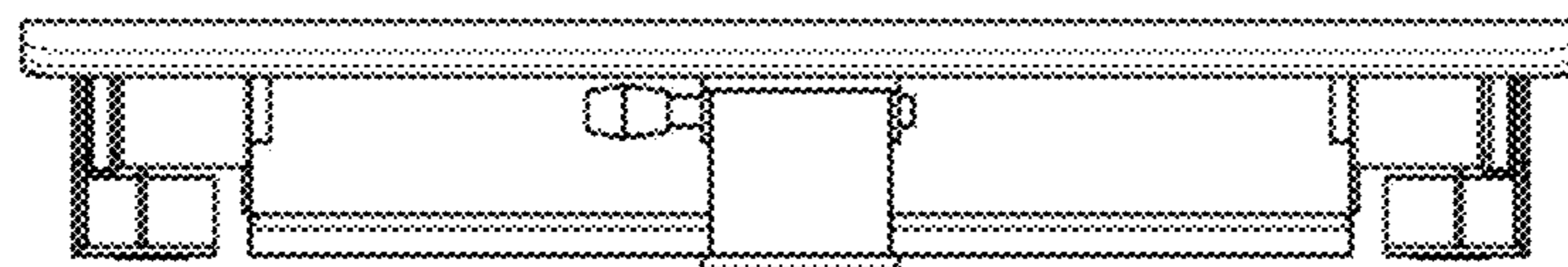


FIG. 7

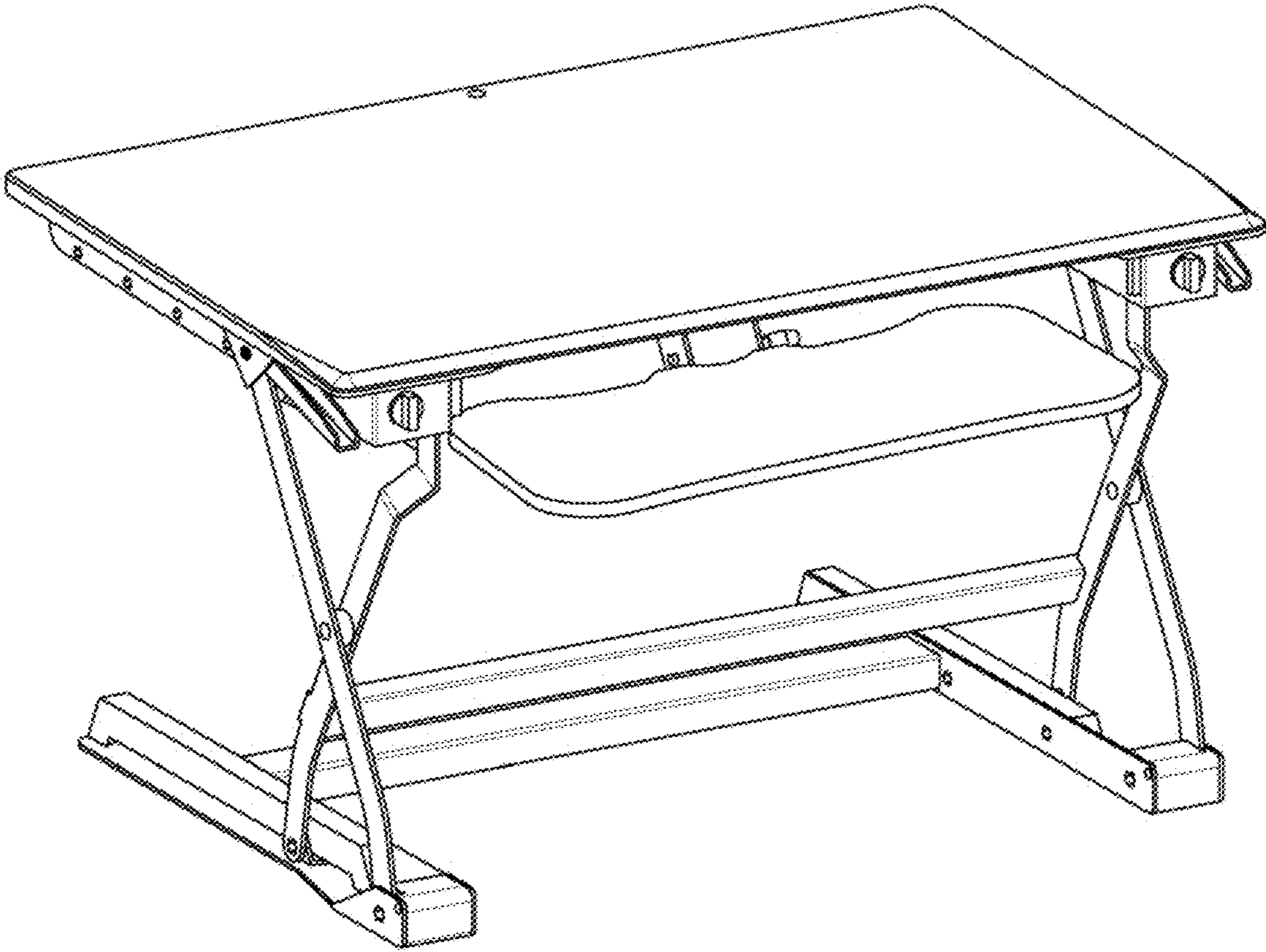


FIG. 8

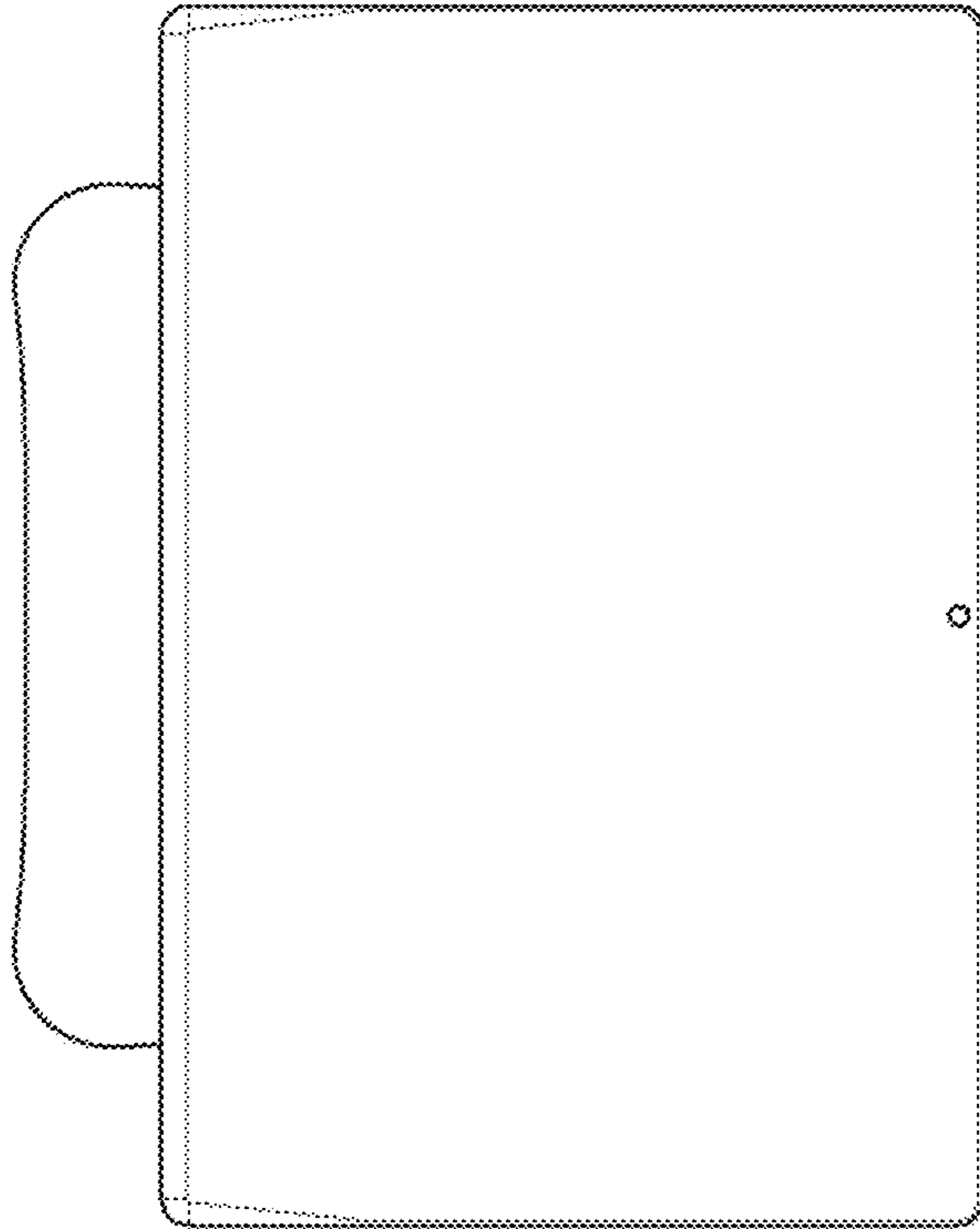


FIG. 9

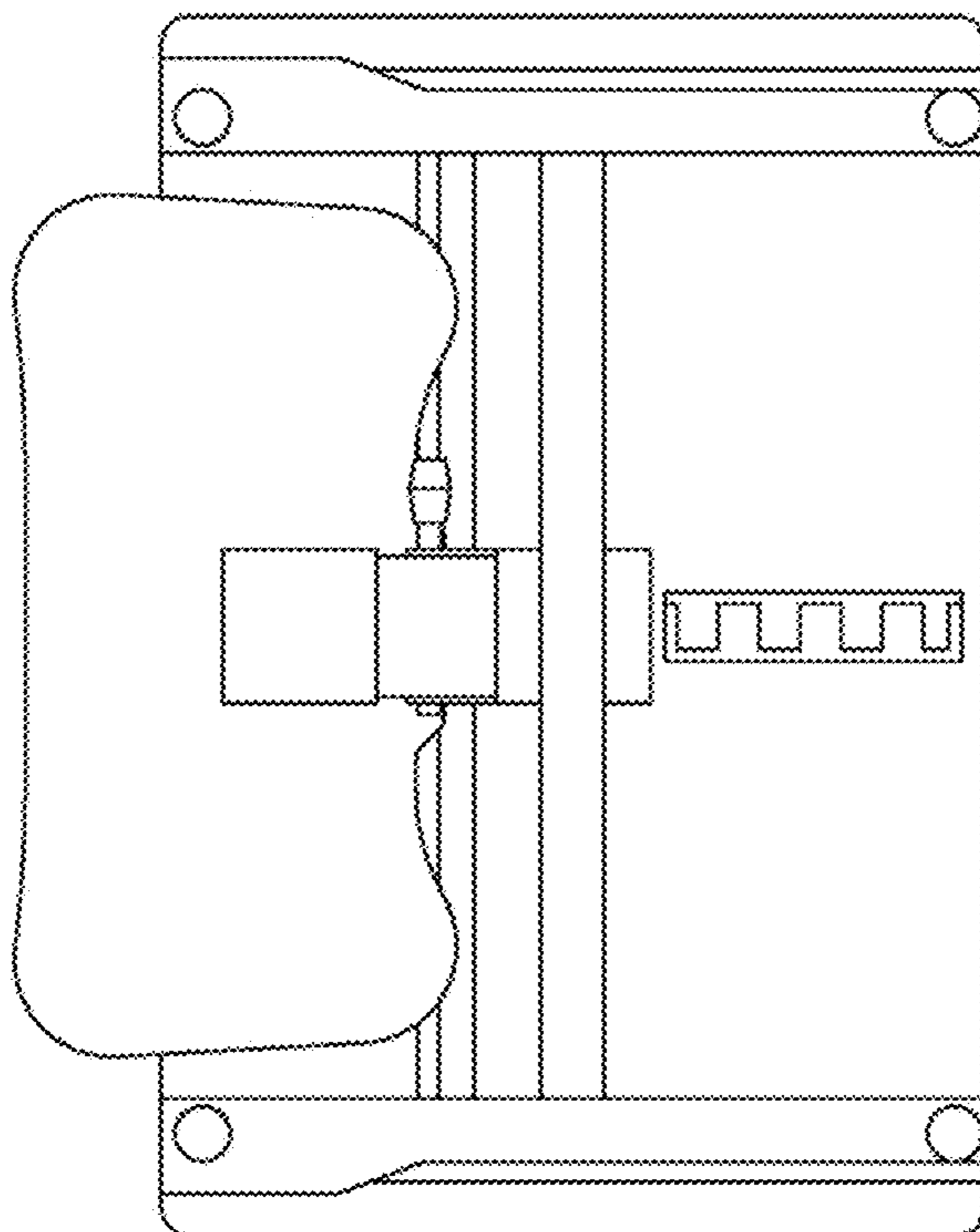


FIG. 10

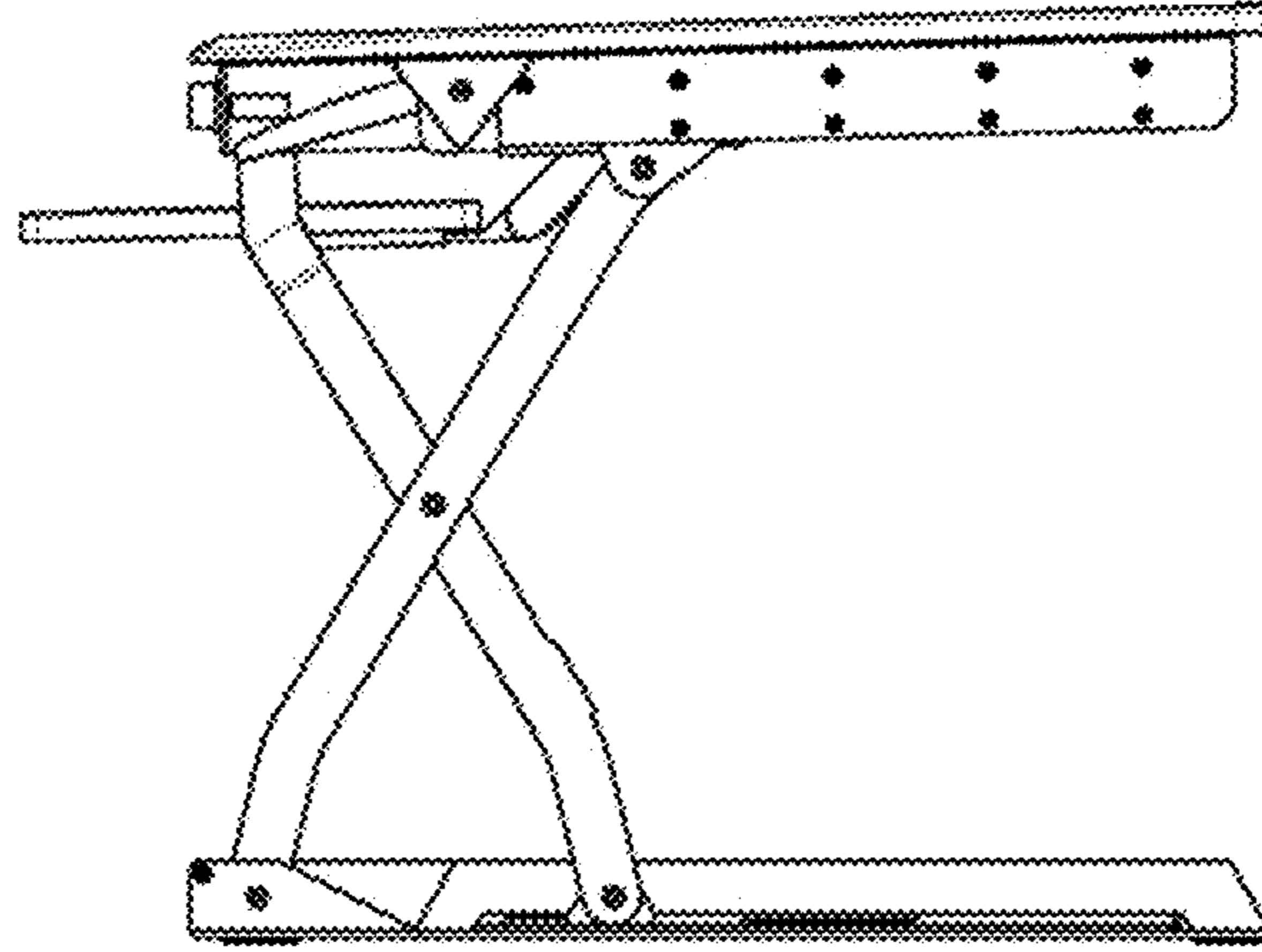


FIG. 11

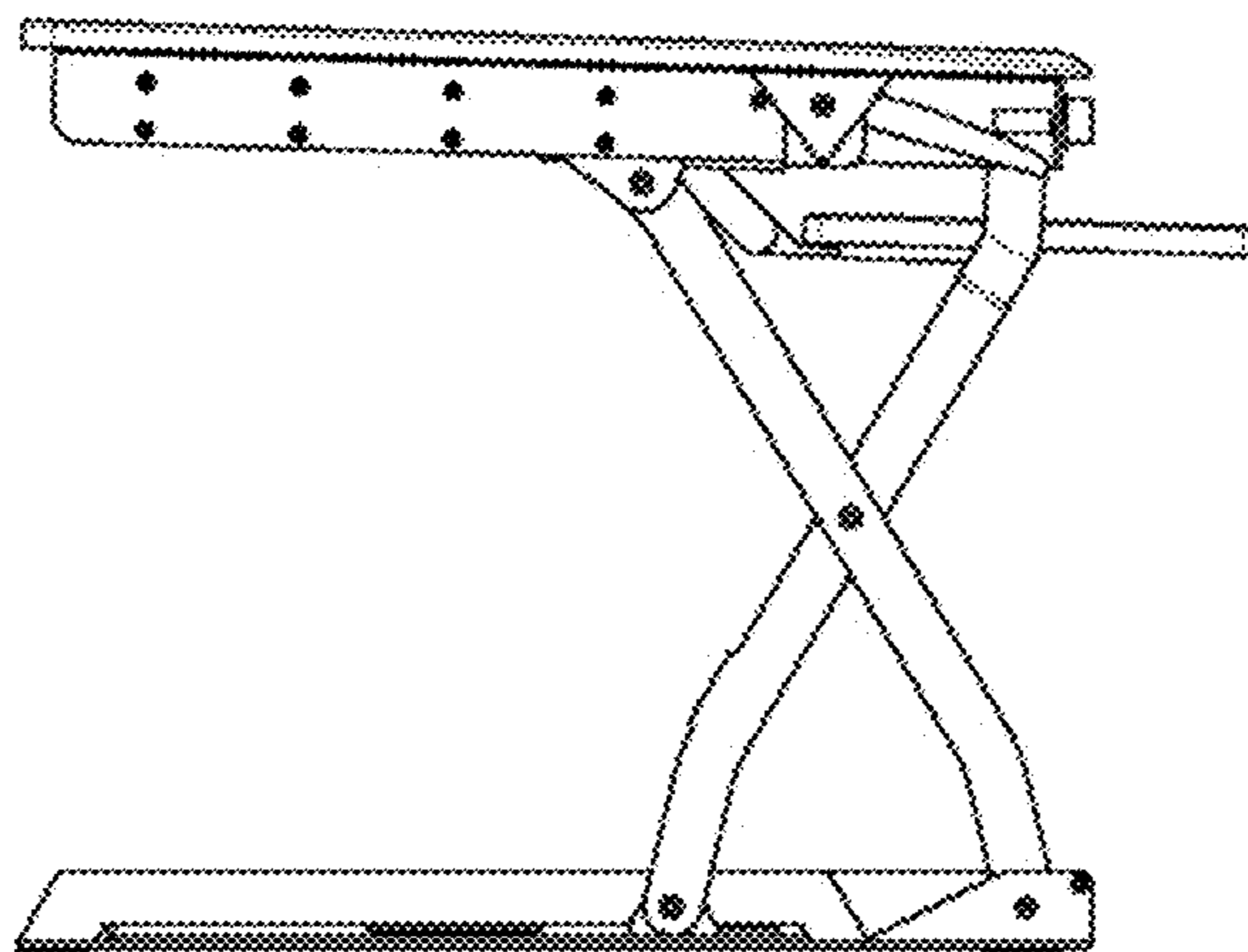


FIG. 12

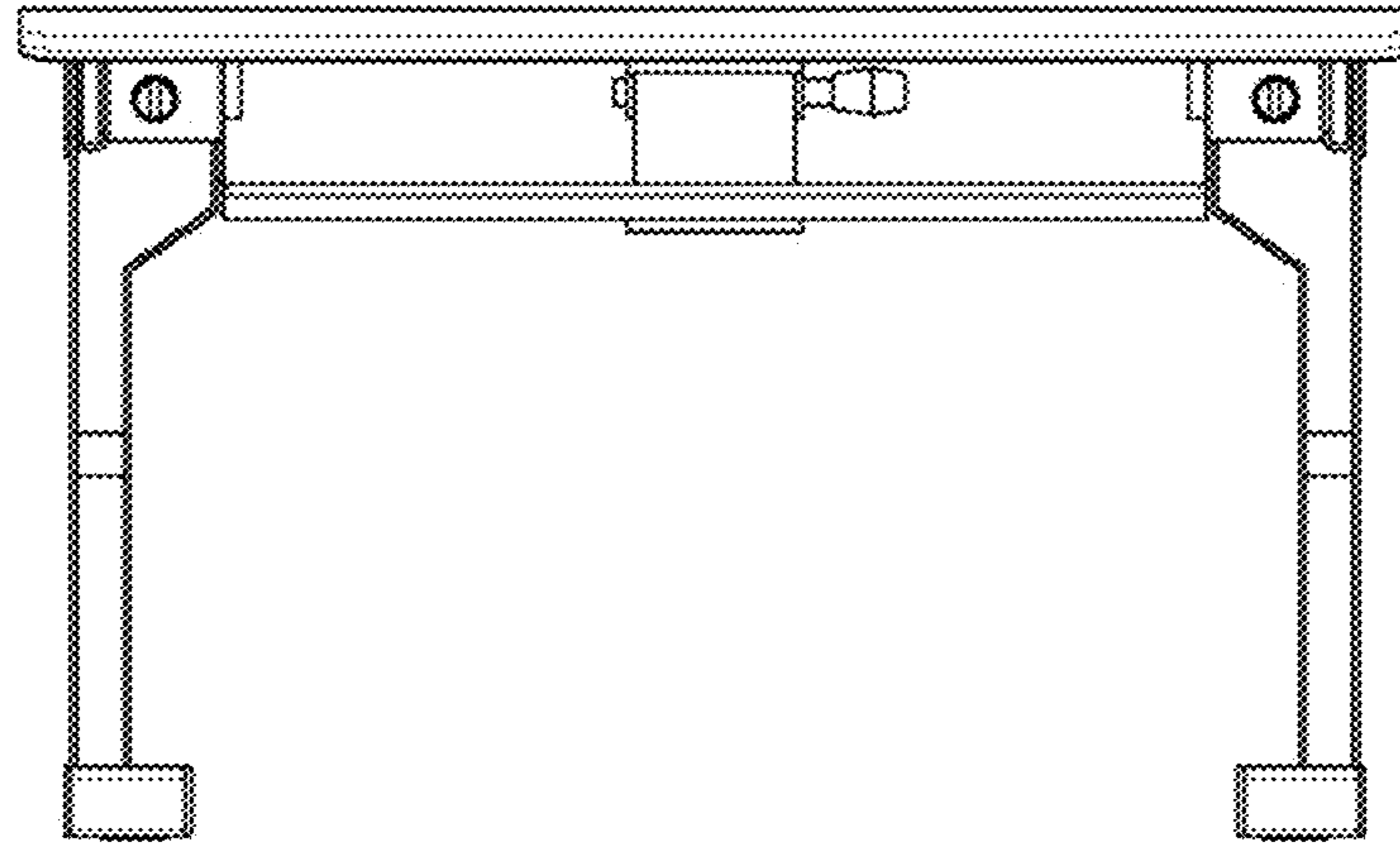


FIG. 13

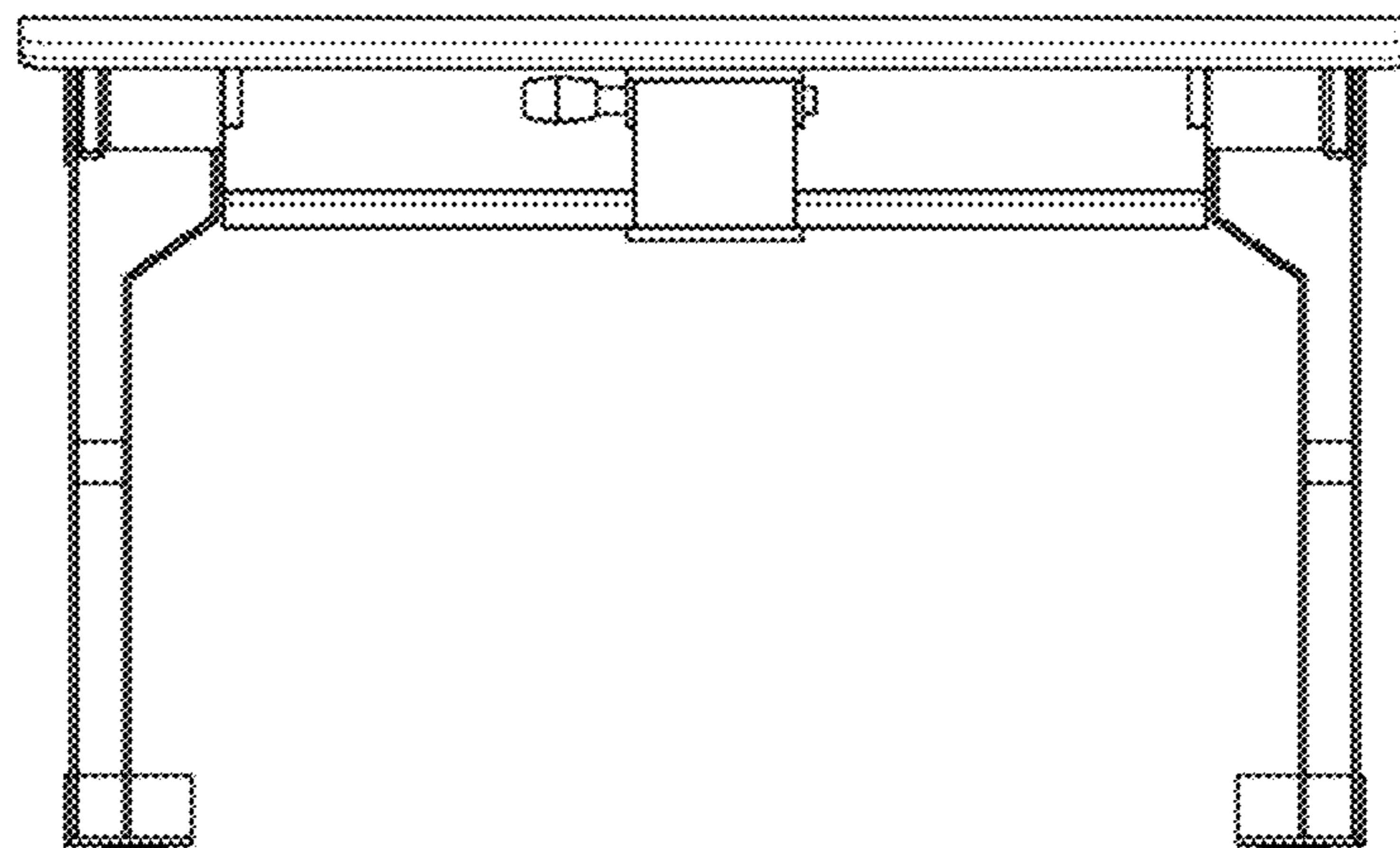


FIG. 14