



US00D913018S

(12) **United States Design Patent**  
**Polidoros et al.**

(10) **Patent No.:** **US D913,018 S**  
(45) **Date of Patent:** **\*\* Mar. 16, 2021**

- (54) **TABLE HAVING RAISED TOP**
- (71) Applicant: **IHS Global Design Pty Ltd,**  
Melbourne (AU)
- (72) Inventors: **Nicholas Polidoros,** Mitcham (AU);  
**Glenn Bevan,** Melbourne (AU)
- (73) Assignee: **IHS Global Design Pty Ltd**
- (\*\*) Term: **15 Years**
- (21) Appl. No.: **29/682,505**
- (22) Filed: **Mar. 6, 2019**
- (30) **Foreign Application Priority Data**  
Sep. 6, 2018 (AU) ..... 201815360
- (51) **LOC (13) Cl.** ..... **06-03**
- (52) **U.S. Cl.**  
USPC ..... **D6/655**
- (58) **Field of Classification Search**  
USPC ..... D6/641–643, 643.1, 644, 647, 655, 656,  
D6/656.11, 664  
CPC .... A47B 5/00; A47B 7/00; A47B 9/00; A47B  
9/16; A47B 9/20; A47B 2009/003; A47B  
13/00; A47B 13/02; A47B 13/04; A47B  
13/06; A47B 13/08; A47B 13/084; A47B  
17/00; A47B 17/065; A47B 1/00; A47B  
31/00; A47B 21/00; A47B 21/02; A47B  
21/03; A47B 19/00; A47B 19/06; A47B  
27/00; A47B 27/02; A47B 2031/003;  
A47B 41/02  
See application file for complete search history.

- (56) **References Cited**  
U.S. PATENT DOCUMENTS  
1,645,769 A \* 10/1927 Murray ..... A47B 17/00  
108/9  
D199,847 S \* 12/1964 Ulrich, Jr. .... D6/664

- 3,211,113 A \* 10/1965 Randall ..... A47B 27/02  
108/9
- 3,605,650 A \* 9/1971 Hebel et al. .... A47B 13/081  
108/9
- 3,682,109 A \* 8/1972 Gordon ..... A47B 13/081  
108/9
- 3,984,162 A \* 10/1976 Zozzaro ..... A47B 31/00  
312/100
- 4,047,309 A \* 9/1977 Royko ..... A47B 41/02  
434/419
- D564,811 S \* 3/2008 Boden ..... A47B 31/00  
D6/656.11
- D652,229 S \* 1/2012 Madison ..... D6/655
- 9,690,396 B1 \* 6/2017 Kubica ..... G06F 3/03545
- 2018/0289148 A1 \* 10/2018 Maynes ..... A47B 27/04
- 2020/0077789 A1 \* 3/2020 Polidoros ..... A47B 31/02

\* cited by examiner

*Primary Examiner* — Mary Ann Calabrese  
(74) *Attorney, Agent, or Firm* — Saidman DesignLaw  
Group, LLC

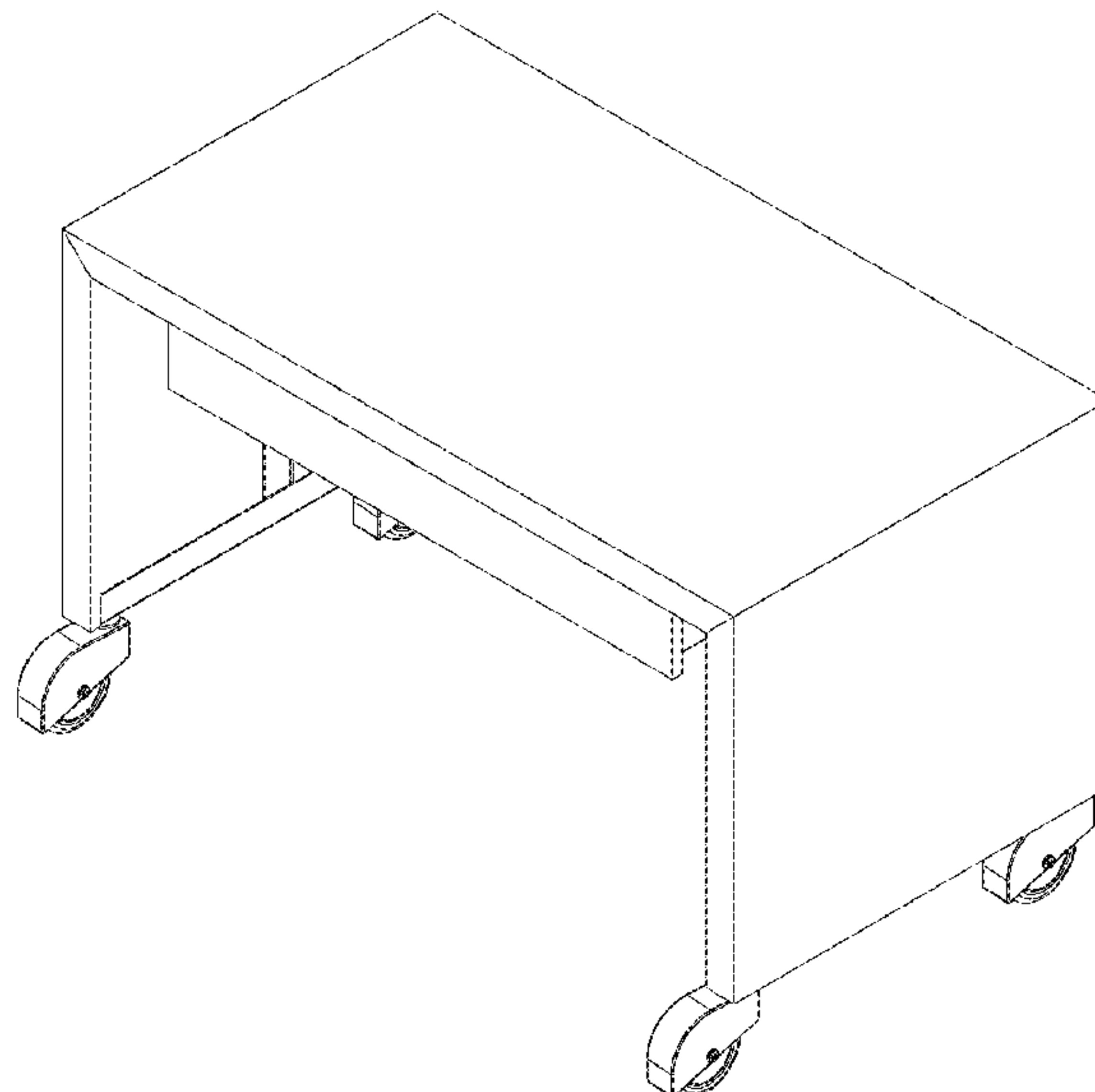
(57) **CLAIM**

The ornamental design for a table having raised top, as shown and described.

**DESCRIPTION**

FIG. 1 is a top perspective view of a table having raised top showing our new design;  
FIG. 2 is a bottom perspective view thereof;  
FIG. 3 is a top view thereof;  
FIG. 4 is a front view thereof;  
FIG. 5 is a bottom view thereof;  
FIG. 6 is a left side view thereof;  
FIG. 7 is a right side view thereof;  
FIG. 8 is a right side view thereof shown in a raised position;  
FIG. 9 is a front view thereof; and,  
FIG. 10 is a top perspective thereof.

**1 Claim, 10 Drawing Sheets**



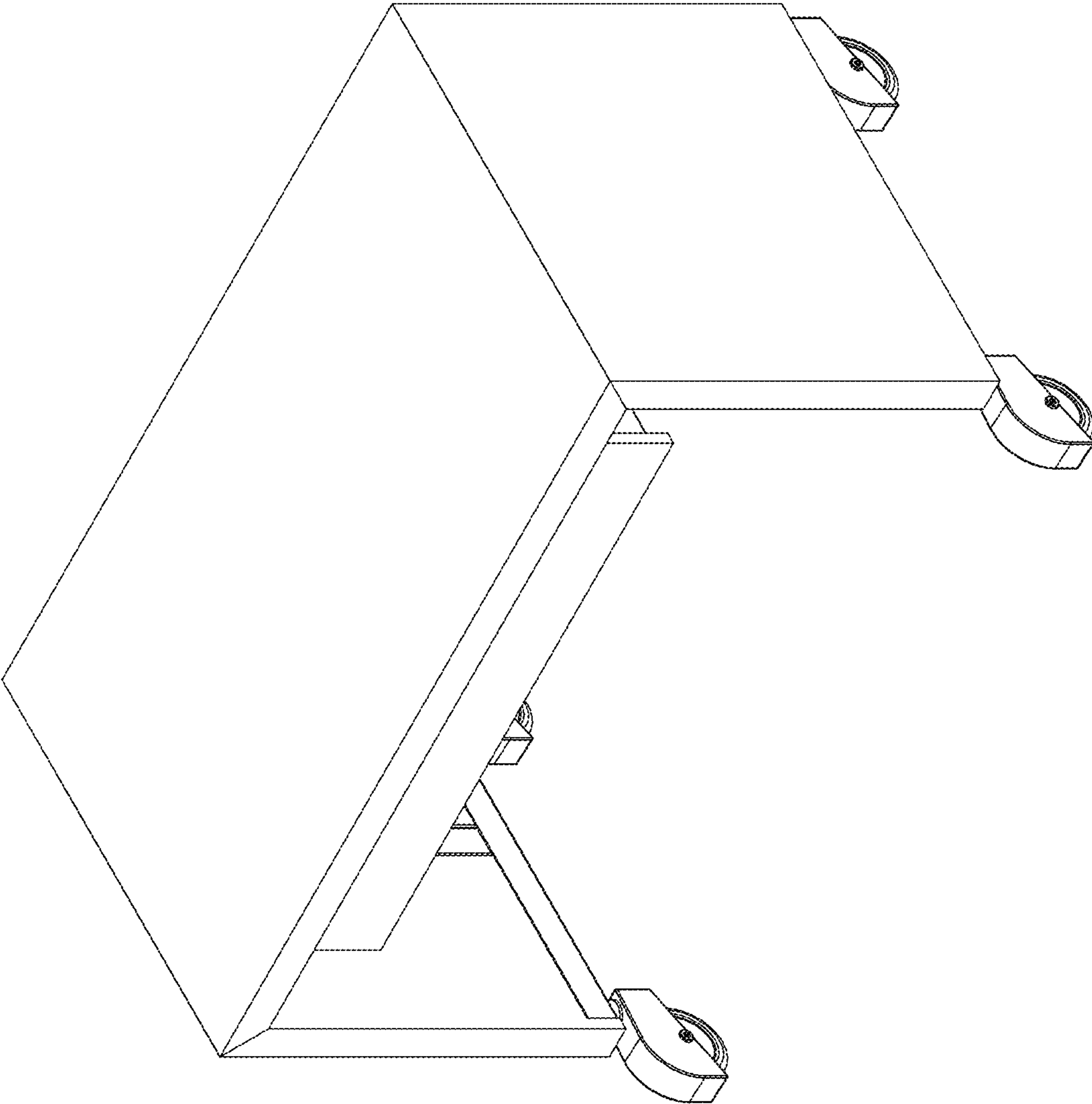


FIG. 1

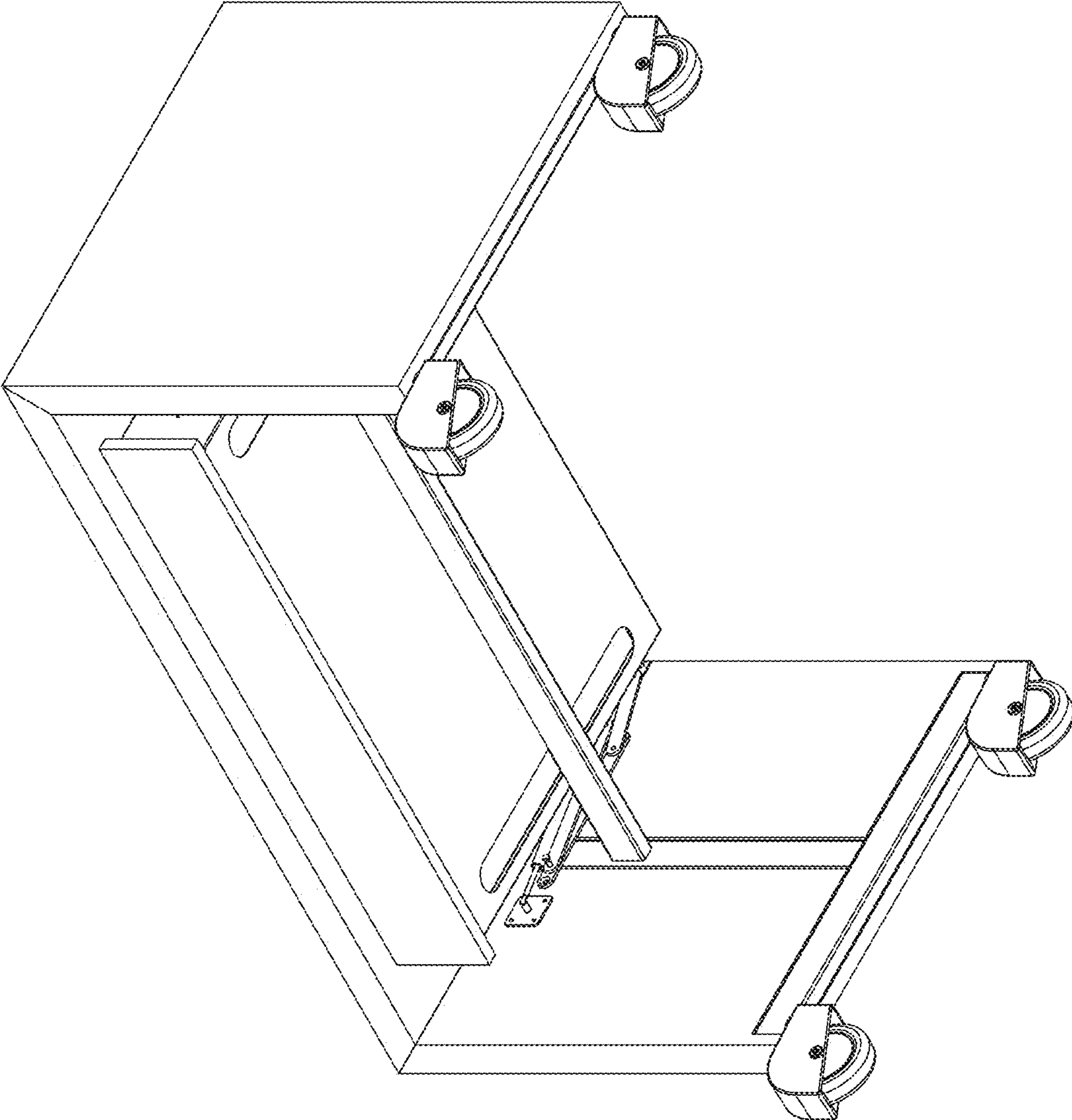


FIG. 2

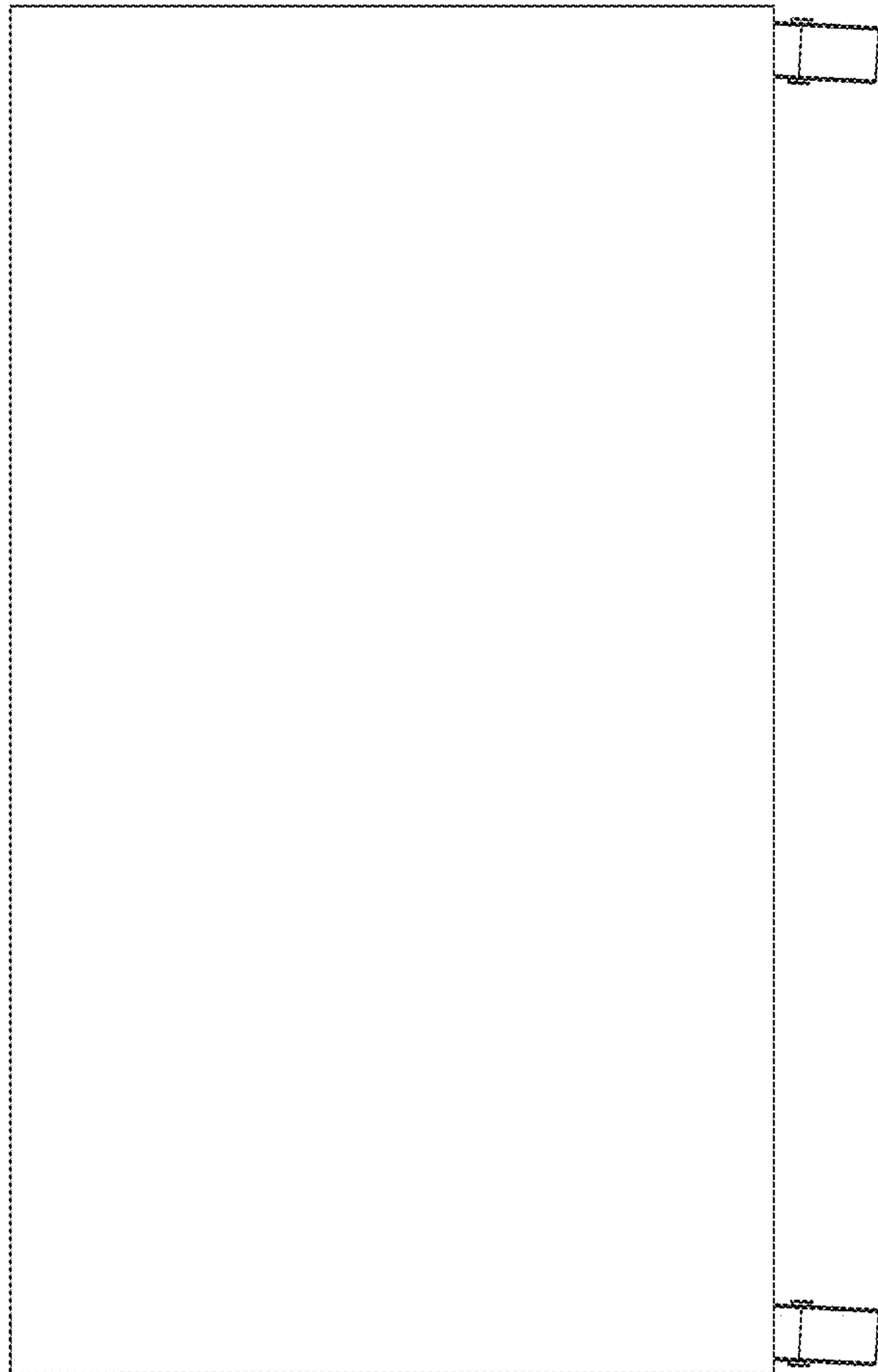


FIG. 3

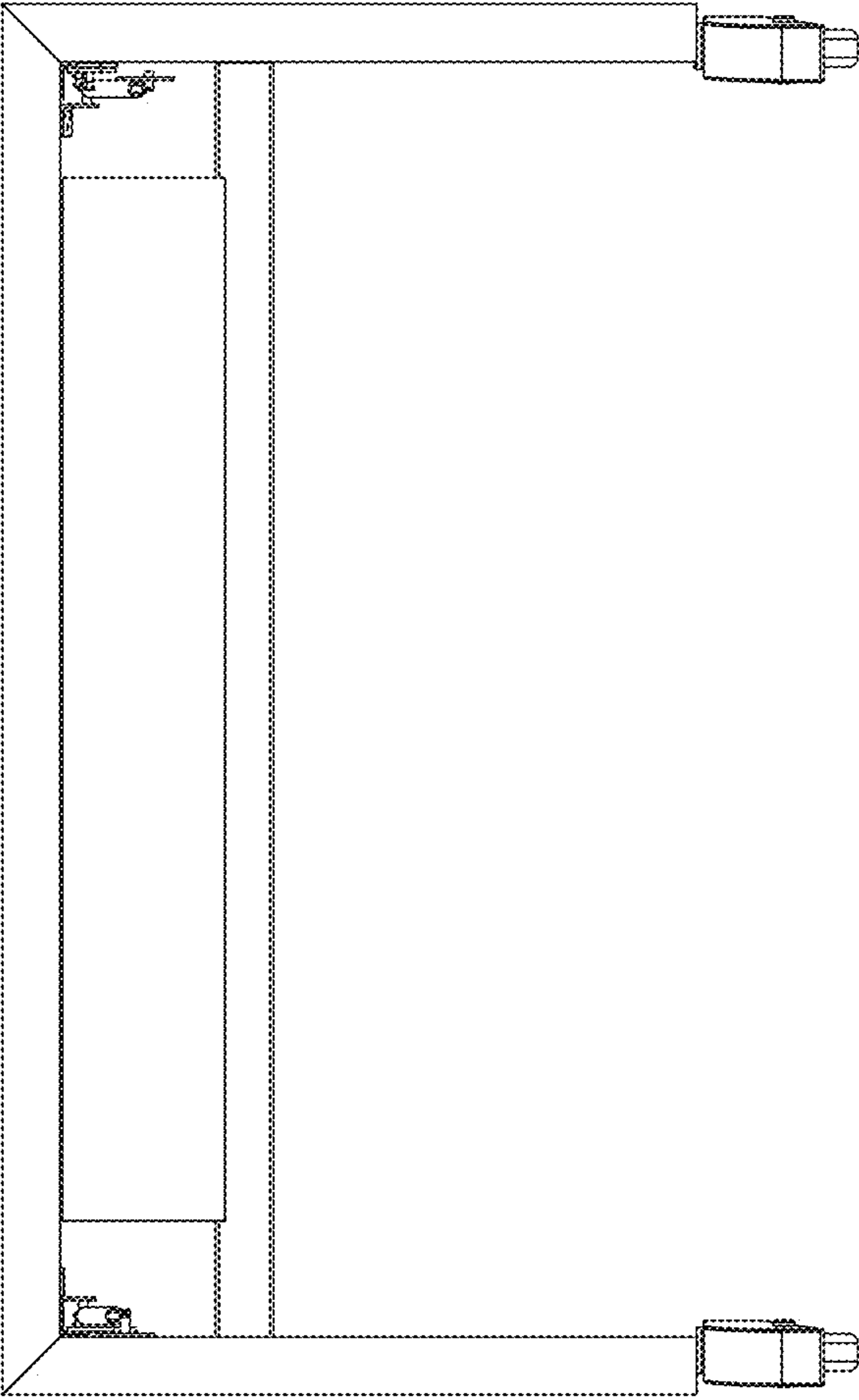


FIG. 4

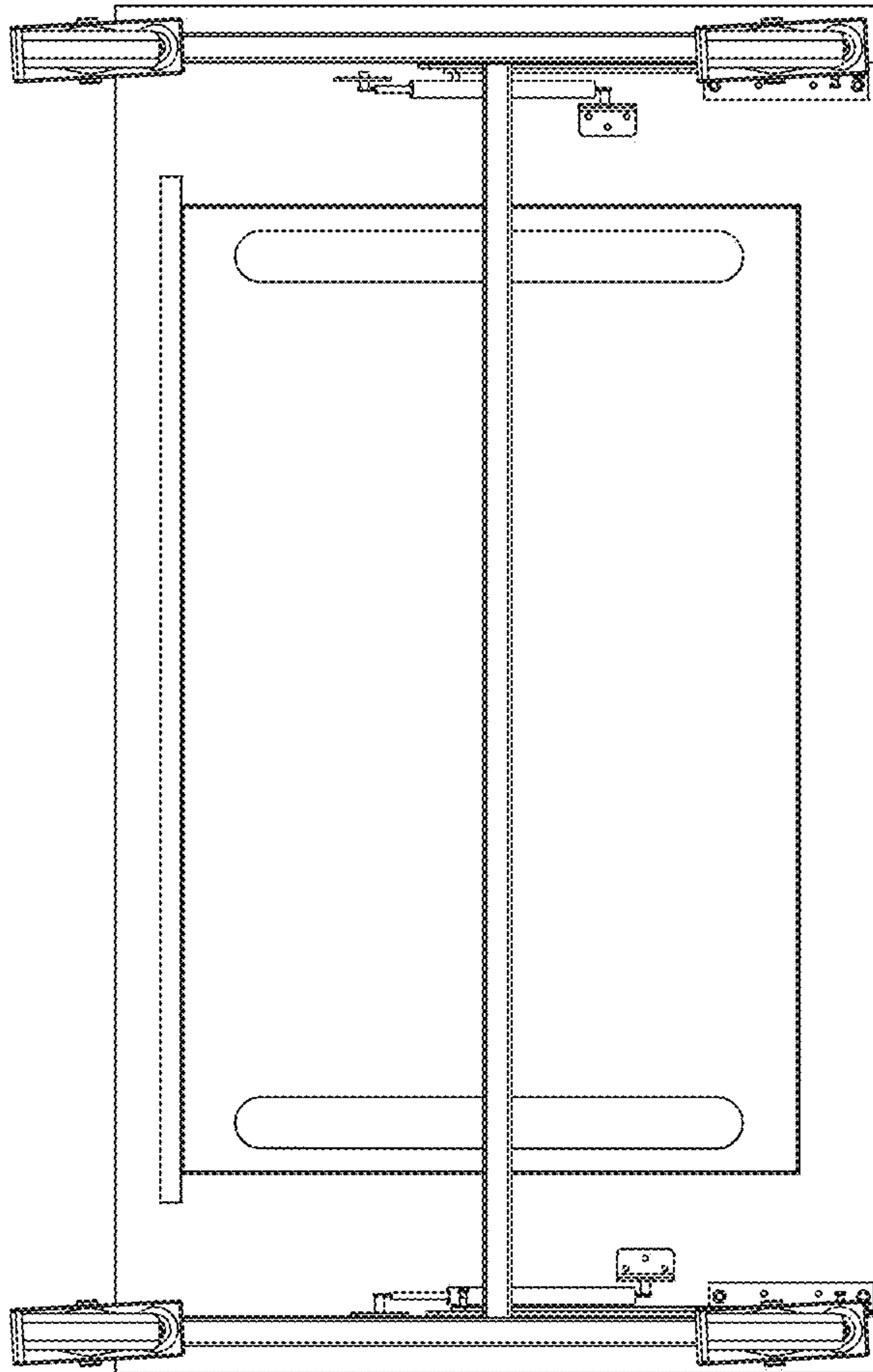


FIG. 5

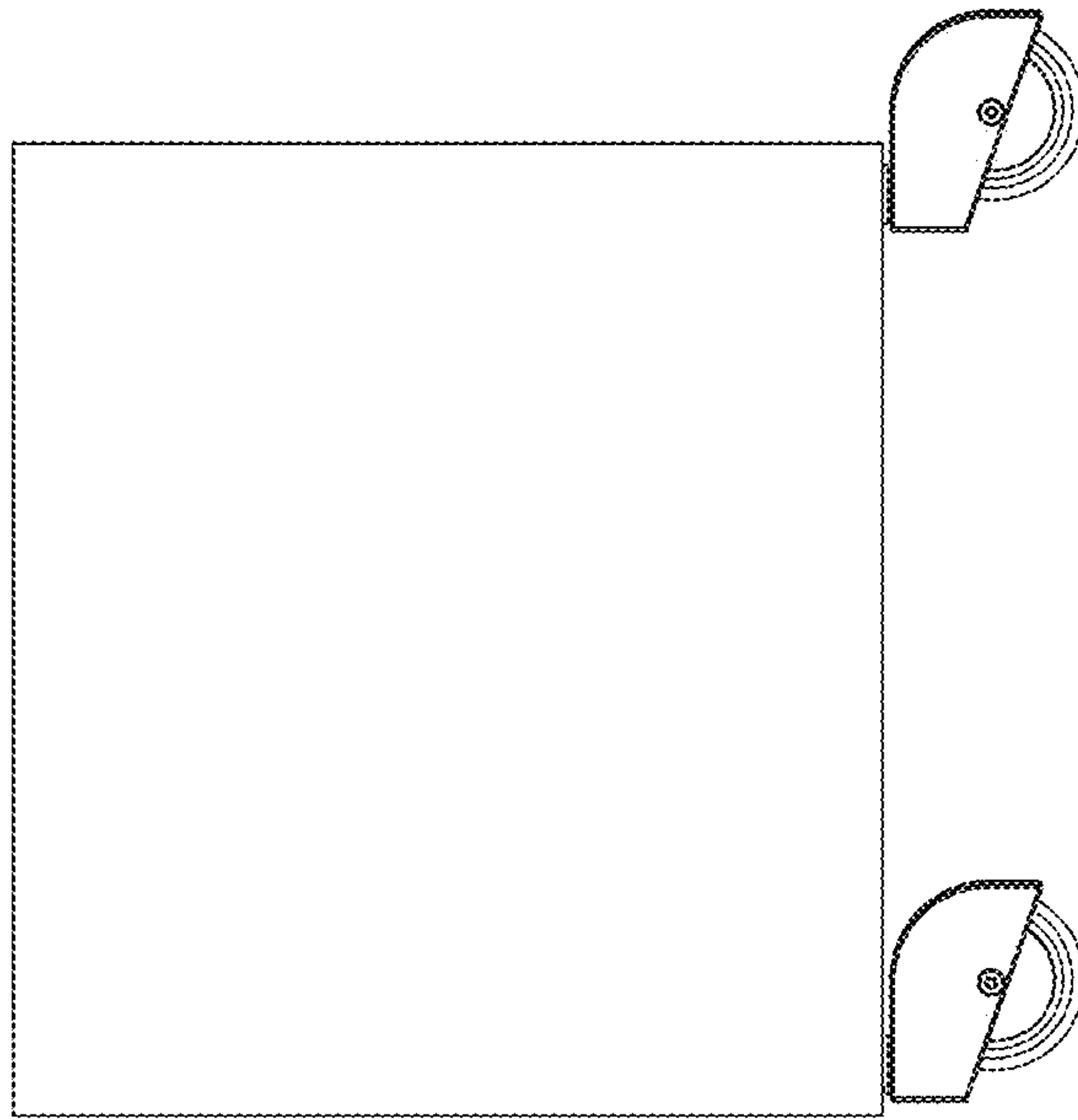


FIG. 6

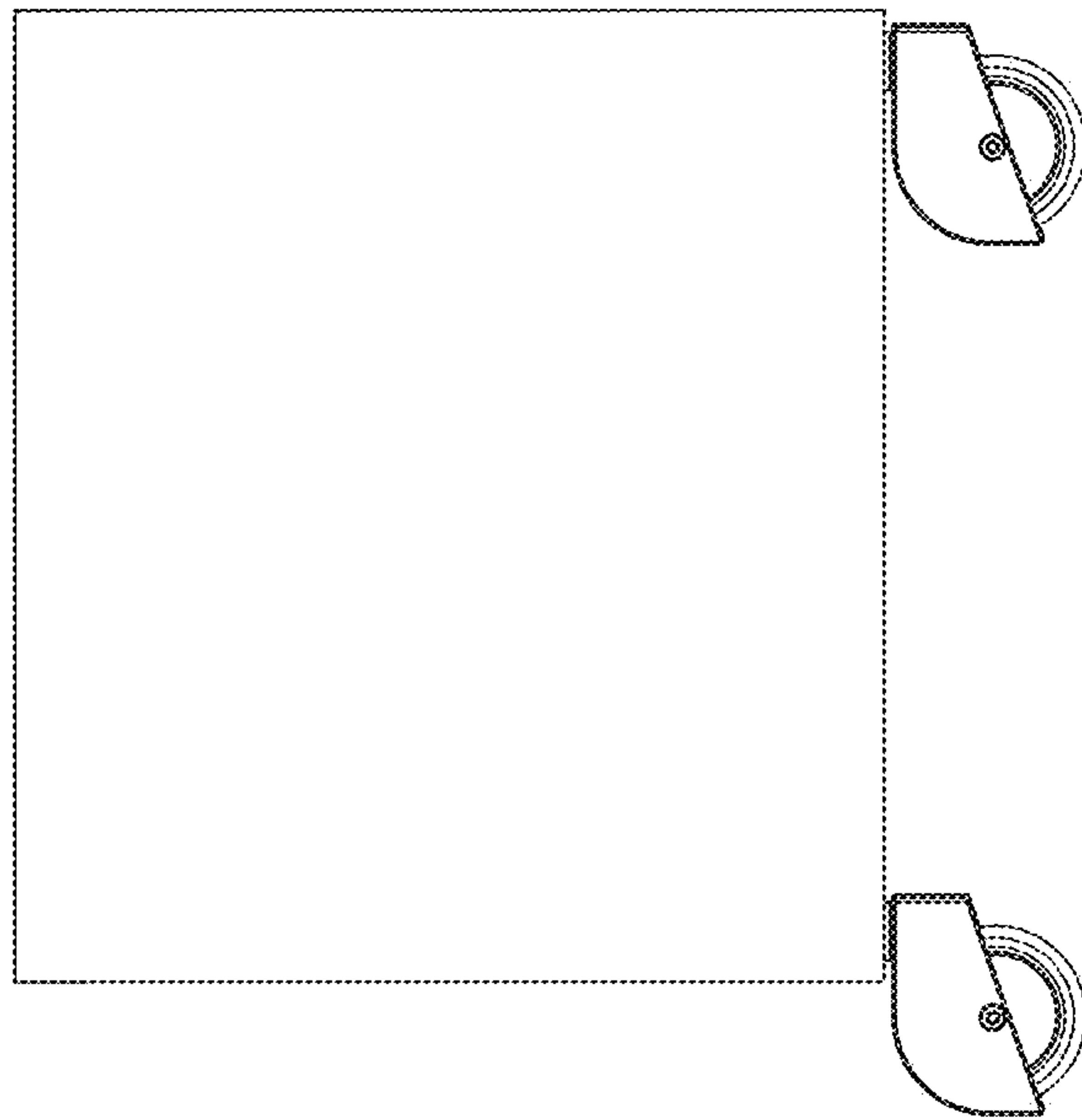


FIG. 7



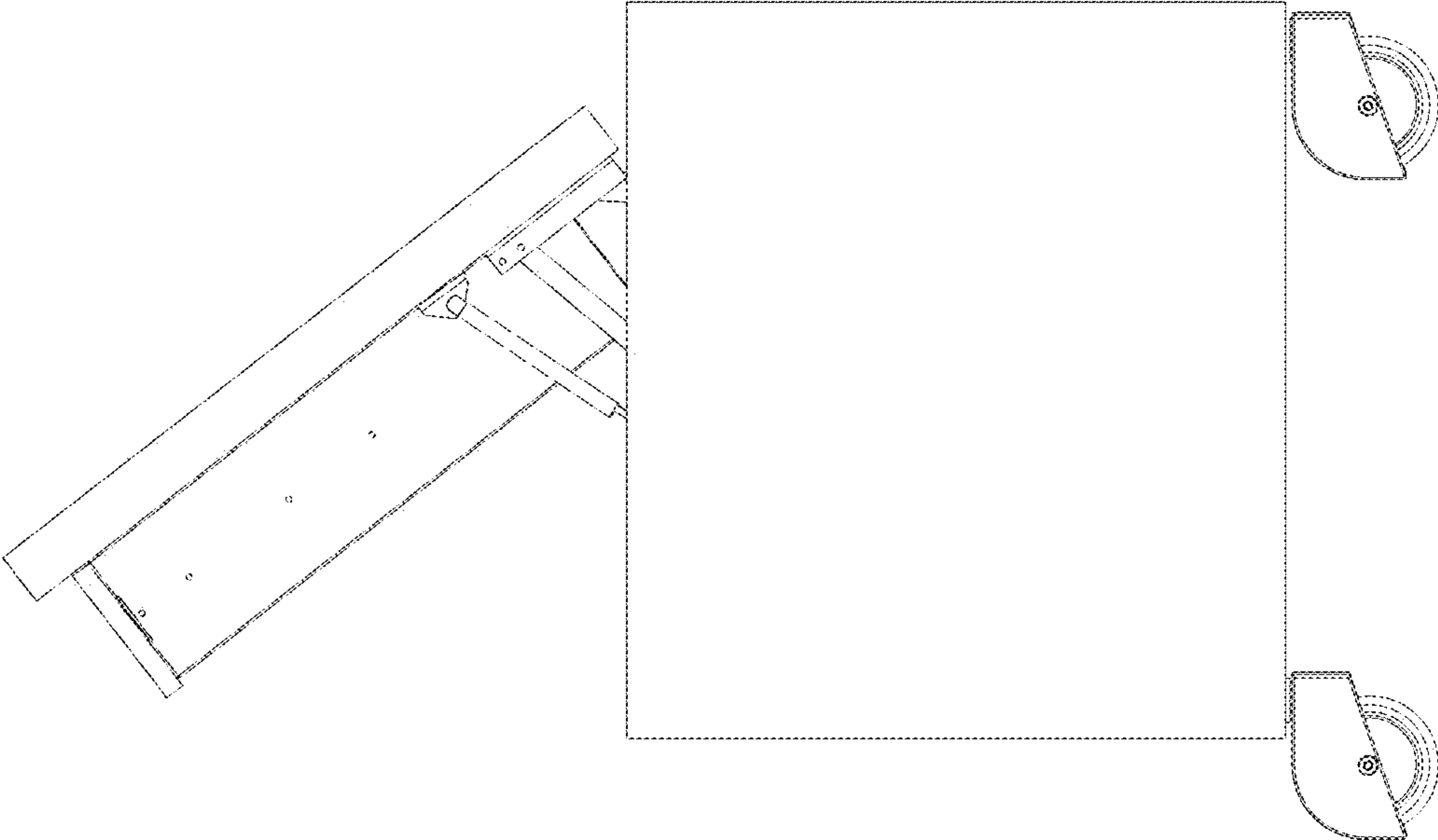


FIG. 8

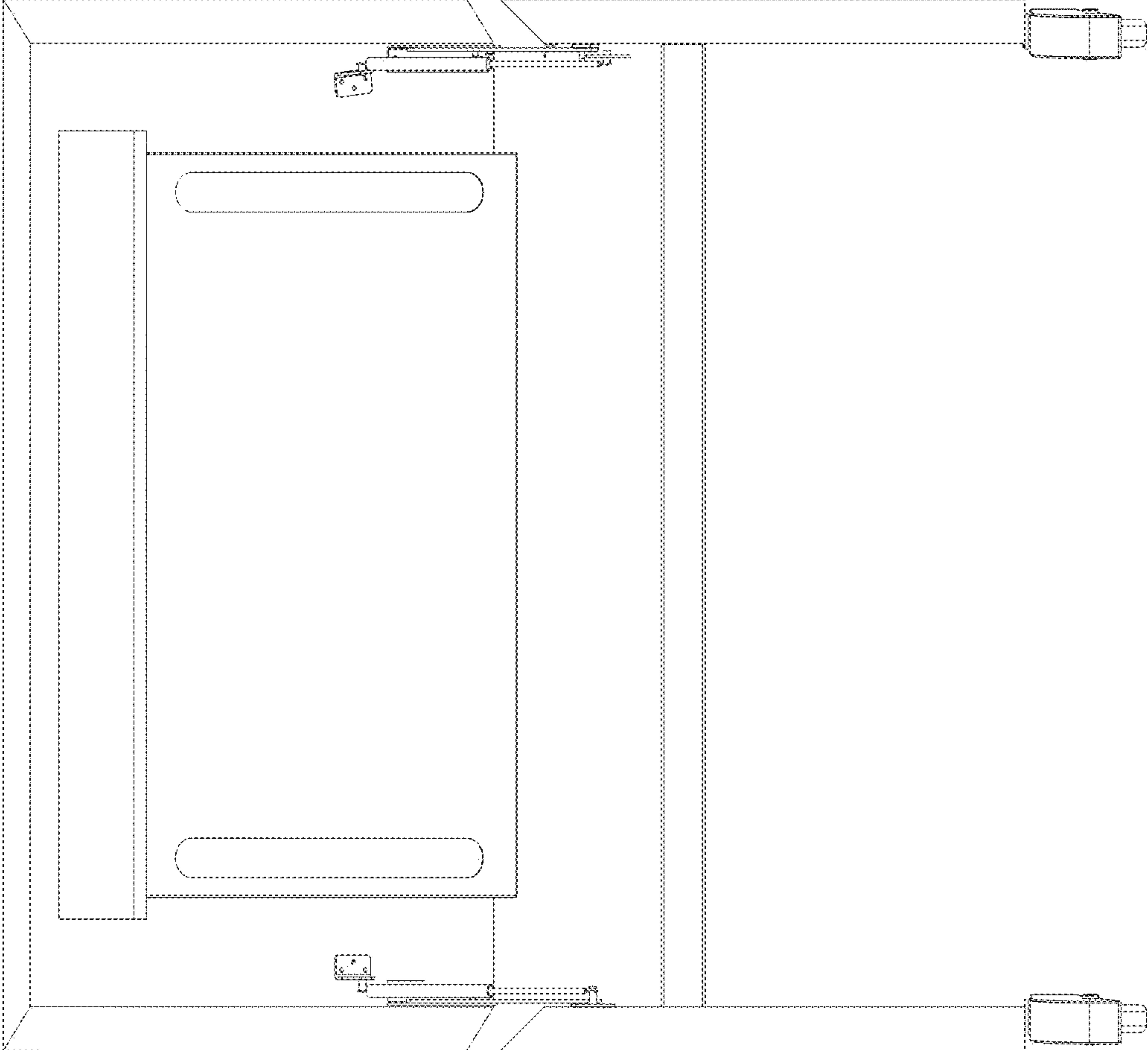


FIG. 9

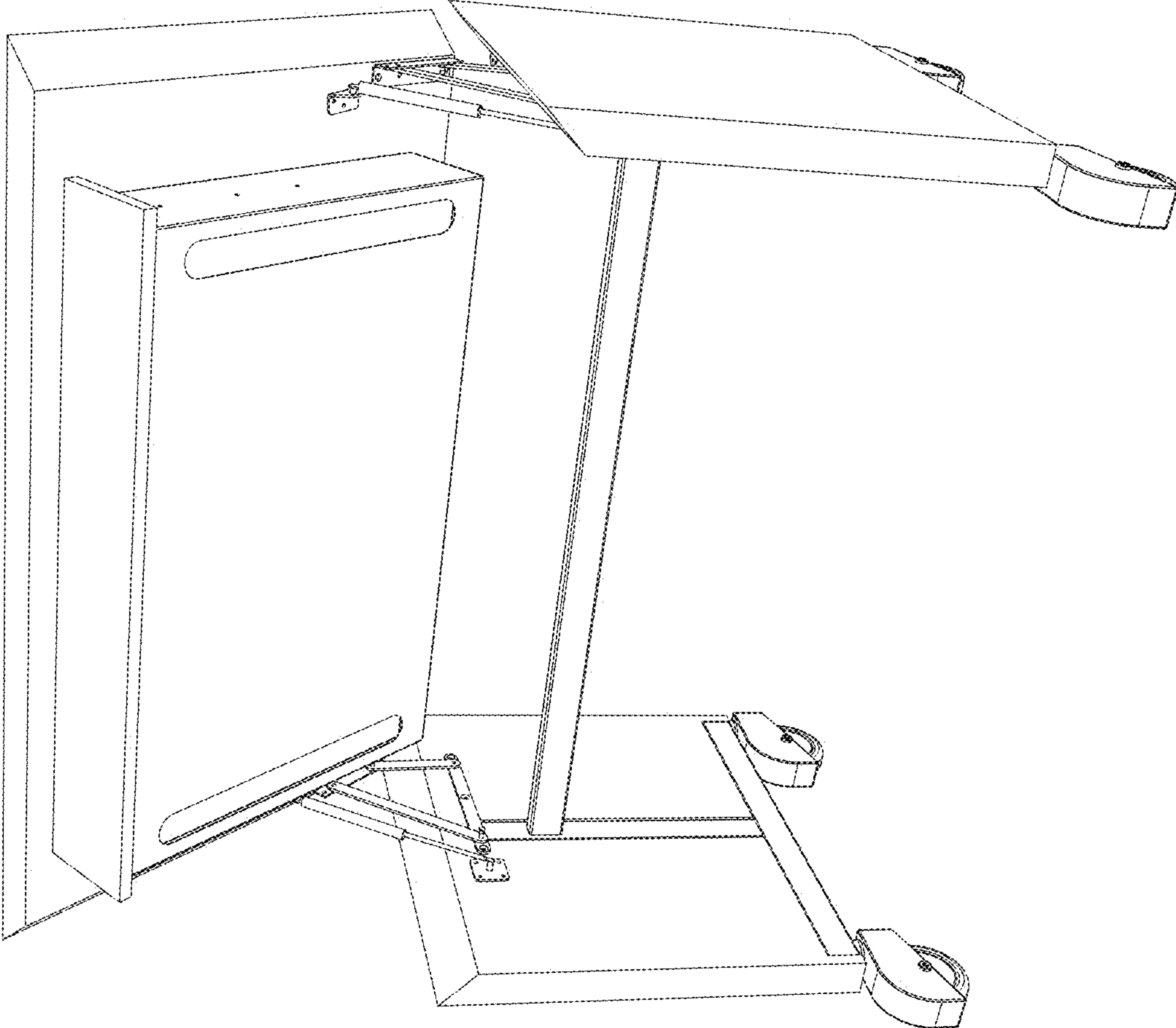


FIG. 10