



US00D913017S

(12) **United States Design Patent**
Kamangar

(10) **Patent No.:** **US D913,017 S**
(45) **Date of Patent:** **** Mar. 16, 2021**

(54) **INTERACTIVE MULTIMEDIA TABLE**

(71) Applicant: **Nazar Kamangar**, Walnut Creek, CA (US)

(72) Inventor: **Nazar Kamangar**, Walnut Creek, CA (US)

(**) Term: **15 Years**

(21) Appl. No.: **29/693,453**

(22) Filed: **Jun. 3, 2019**

(51) **LOC (13) Cl.** **06-03**

(52) **U.S. Cl.**
USPC **D6/650**

(58) **Field of Classification Search**
USPC D6/640, 641, 642, 643, 643.1, 644, 645, D6/648, 648.1, 648.3, 648.4, 649, 650, D6/651, 652, 655, 655.1, 655.11, 655.12, D6/655.13, 655.14, 655.15, 655.16, 656, D6/656.1, 656.11, 656.16, 656.17, 656.18, D6/656.19, 668, 685, 688.11, 688.21, D6/688.27, 690, 695, 698, 691, 691.6, D6/696.1, 700, 707, 707.19, 707.24, D6/707.26, 708, 708.2, 708.21, 708.23, D6/709.22

CPC A47B 9/00; A47B 9/04; A47B 9/06; A47B 3/08; A47B 21/00; A47B 21/02; A47B 21/06; A47B 21/007; A47B 21/0314; A47B 2009/185; A47B 2200/0013; A47B 2200/0026; A47B 2200/0085; A47B 2200/0087

See application file for complete search history.

(56) **References Cited**

U.S. PATENT DOCUMENTS

D465,201 S * 11/2002 Gershfeld D13/139.4
D513,909 S * 1/2006 Bibi D6/691.1

D534,378 S * 1/2007 Bibi D21/397
D540,570 S * 4/2007 Bibi D21/397
D617,122 S * 6/2010 Moon D6/686
9,921,655 B2 * 3/2018 Birnbaum G08B 6/00
D859,314 S * 9/2019 Jhun D13/139.4
D864,872 S * 10/2019 Jhun D13/139.4
10,582,768 B1 * 3/2020 Ho A47B 21/007
2006/0267952 A1 * 11/2006 Alcorn A63F 13/2145
345/173
2008/0277134 A1 * 11/2008 Jolly H02G 3/14
174/67
2014/0150233 A1 * 6/2014 Hussain G06F 1/181
29/428
2019/0361566 A1 * 11/2019 Nagano G06F 1/16

* cited by examiner

Primary Examiner — Mary Ann Calabrese

Assistant Examiner — Catherine Ho

(74) *Attorney, Agent, or Firm* — Brad Bertoglio; Intelink Law Group, P.C.

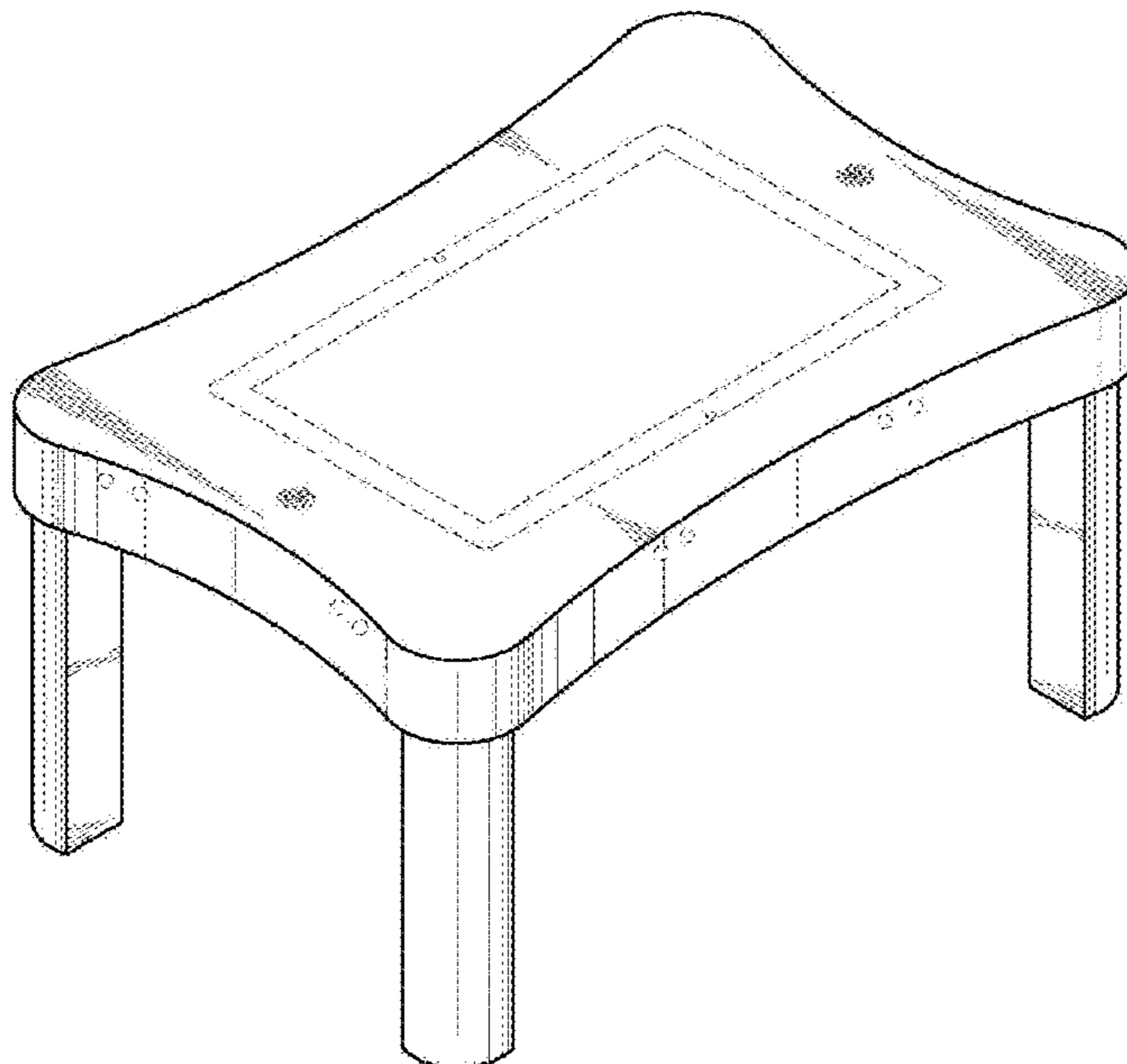
(57) **CLAIM**

The ornamental design for an interactive multimedia table, as shown and described.

DESCRIPTION

FIG. 1 is a top perspective view, showing my new design; FIG. 2 is a front elevation view thereof, the rear elevation view being a mirror image thereof; FIG. 3 is a left elevation view thereof, the right elevation view being a mirror image thereof; FIG. 4 is a top plan view thereof; and, FIG. 5 is a bottom plan view thereof. Portions of the interactive multimedia table shown in broken lines form no part of the claimed design.

1 Claim, 5 Drawing Sheets



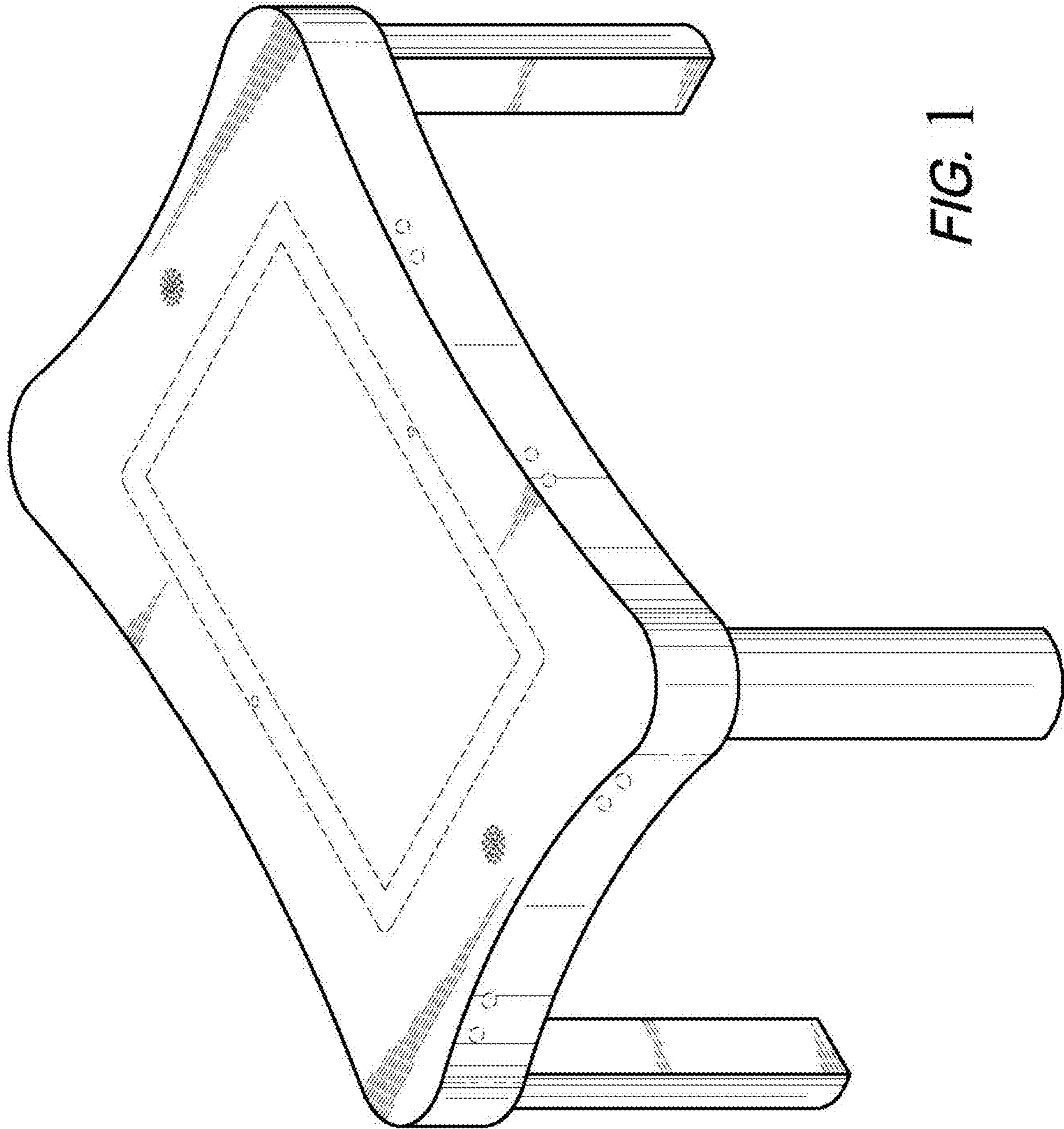


FIG. 1

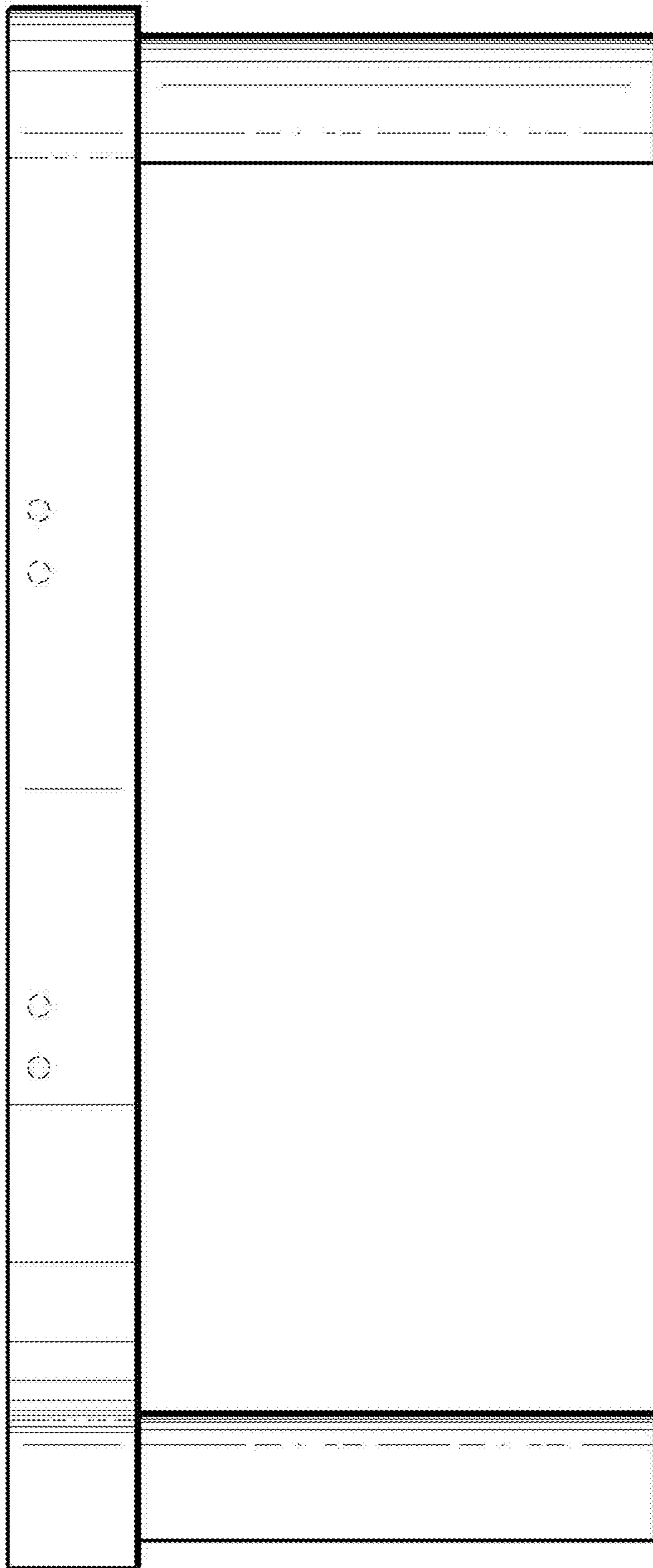


FIG. 2

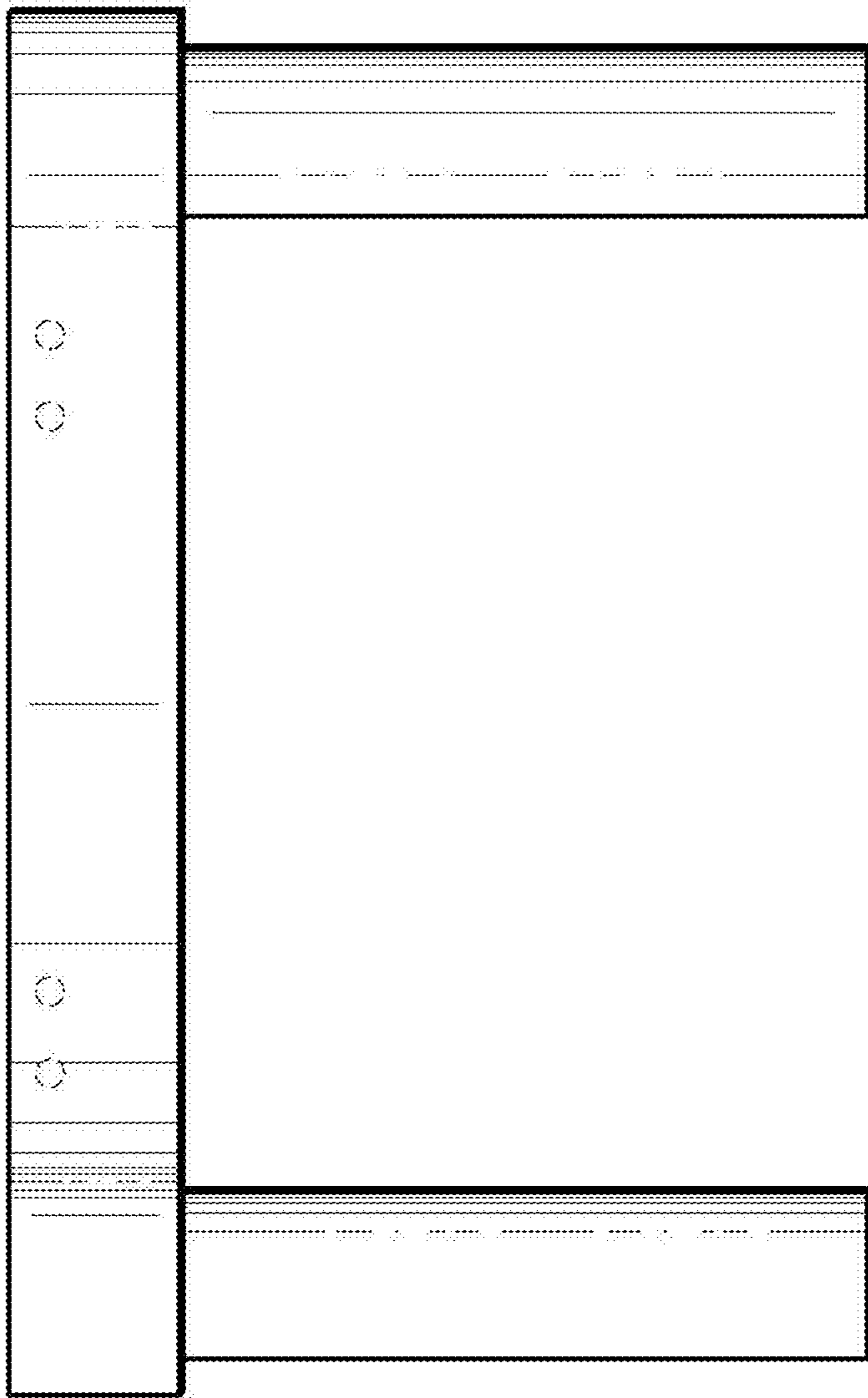


FIG. 3

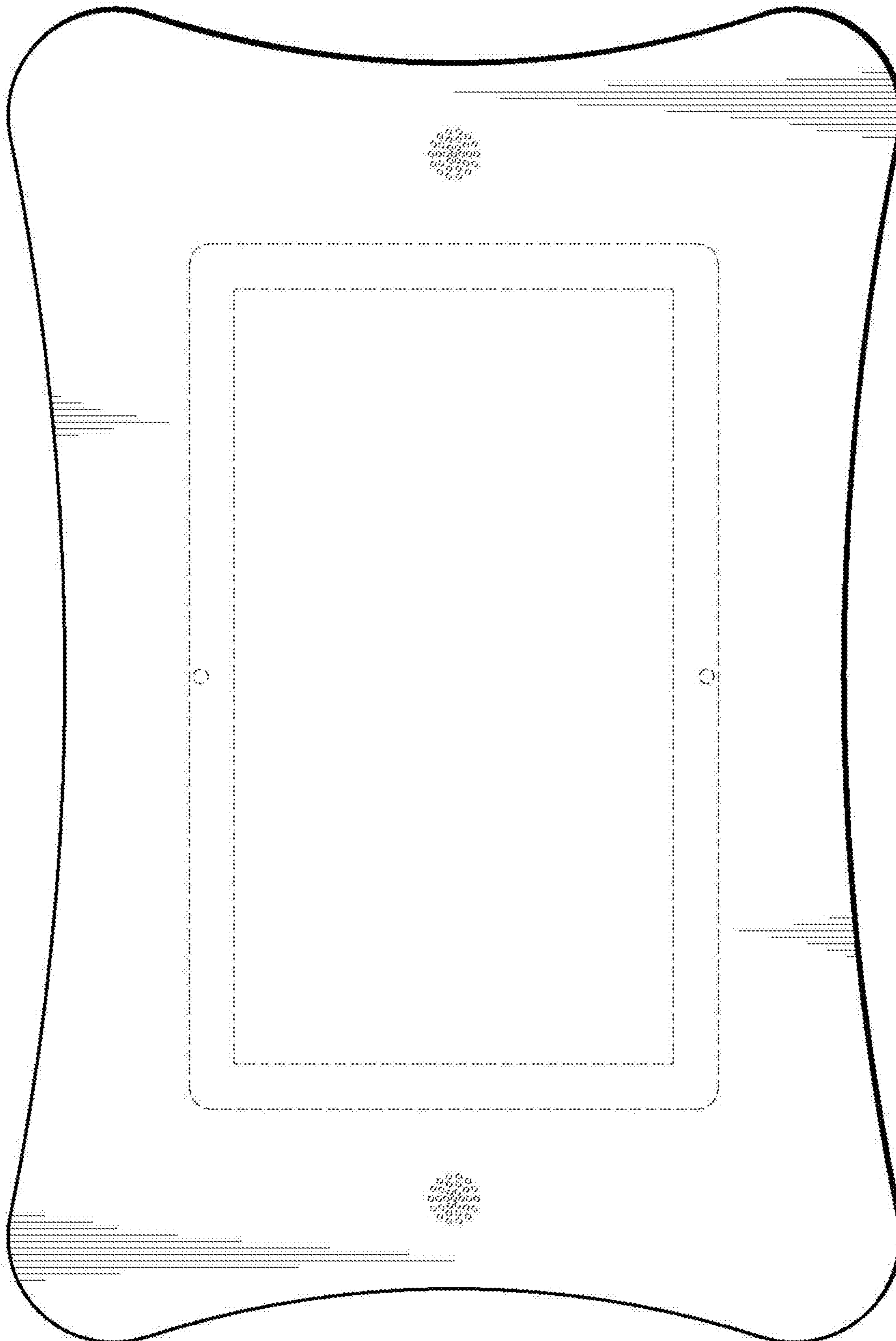


FIG. 4

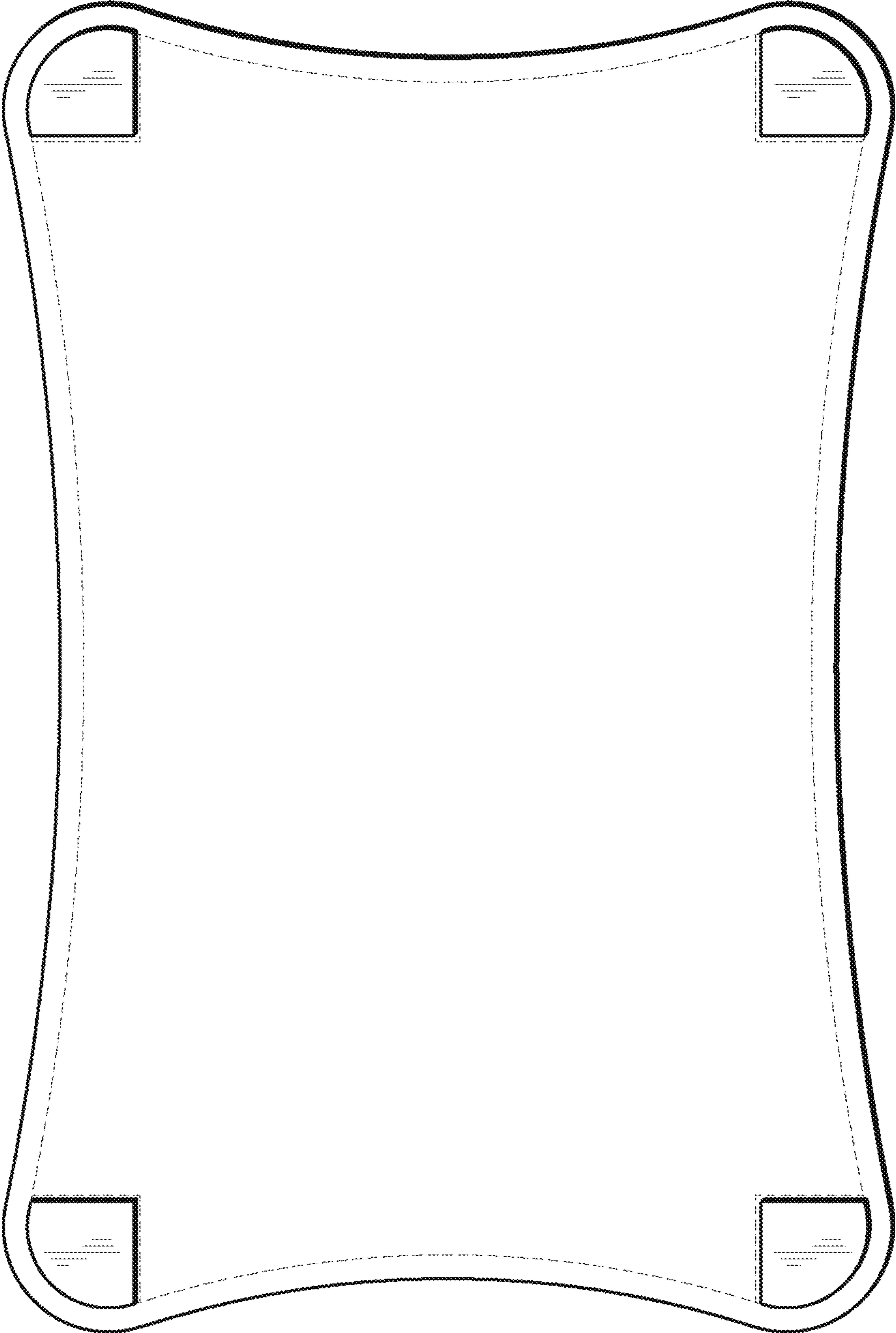


FIG. 5