



US00D913016S

(12) **United States Design Patent** (10) **Patent No.:** **US D913,016 S**
Ciccarelli et al. (45) **Date of Patent:** **** Mar. 16, 2021**

(54) **SEAT COVER**

FOREIGN PATENT DOCUMENTS

(71) Applicant: **Home Box Office, Inc.**, New York, NY (US)

EM 002999110-0001 * 2/2016

(72) Inventors: **Lynn A. Ciccarelli**, Staten Island, NY (US); **Nicole C. Lawrence**, Teaneck, NJ (US); **Marni Verni**, Astoria, NY (US); **Marissa K. Kaplan**, Sunnyside, NY (US); **Kristen O'Malley**, Briarcliff Manor, NY (US)

OTHER PUBLICATIONS

Competition: win a Game of Thrones 'throne', announced 2014 [online], [site visited Aug. 6, 2020]. Available from internet, URL: <<https://www.telegraph.co.uk/men/the-filter/10724141/Competition-win-a-Game-of-Thrones-throne.html>> (Year: 2014).*

(73) Assignee: **HOME BOX OFFICE, INC.**, New York, NY (US)

Primary Examiner — Cynthia Ramirez

Assistant Examiner — Xavier Marti-Santos

(**) Term: **15 Years**

(74) *Attorney, Agent, or Firm* — Amin, Turocy & Watson, LLP

(21) Appl. No.: **29/707,480**

(57) **CLAIM**

The ornamental design for a seat cover, as shown and described.

(22) Filed: **Sep. 27, 2019**

(51) **LOC (13) Cl.** **06-13**

(52) **U.S. Cl.**
USPC **D6/611**

DESCRIPTION

(58) **Field of Classification Search**
USPC D6/334, 356, 595, 596, 601, 603, 608, D6/610, 611; D12/131
CPC A47C 27/001; A47C 27/002; A47C 31/10; A47C 31/105; A47C 31/11; A47C 31/113; A47C 31/116; A47C 4/28; A47C 7/02; A47C 7/021; A47C 7/386; A47C 7/42; A47C 7/68; B60N 2/58; B60N 2/60; B60N 2/6009; A61H 35/006
See application file for complete search history.

FIG. 1 is a front side perspective view of a seat cover positioned on a seat showing our new design;
FIG. 2 is a front view of a seat cover showing our new design;
FIG. 3 is a front view of a seat cover showing our new design;
FIG. 4 is a top plan view thereof;
FIG. 5 is a bottom plan view thereof;
FIG. 6 is a left side elevation view thereof;
FIG. 7 is a right side elevation view thereof;
FIG. 8 is a front side perspective view of a seat cover showing our new design positioned above a seat; and,
FIG. 9 is a front view of a seat cover showing our new design.

(56) **References Cited**

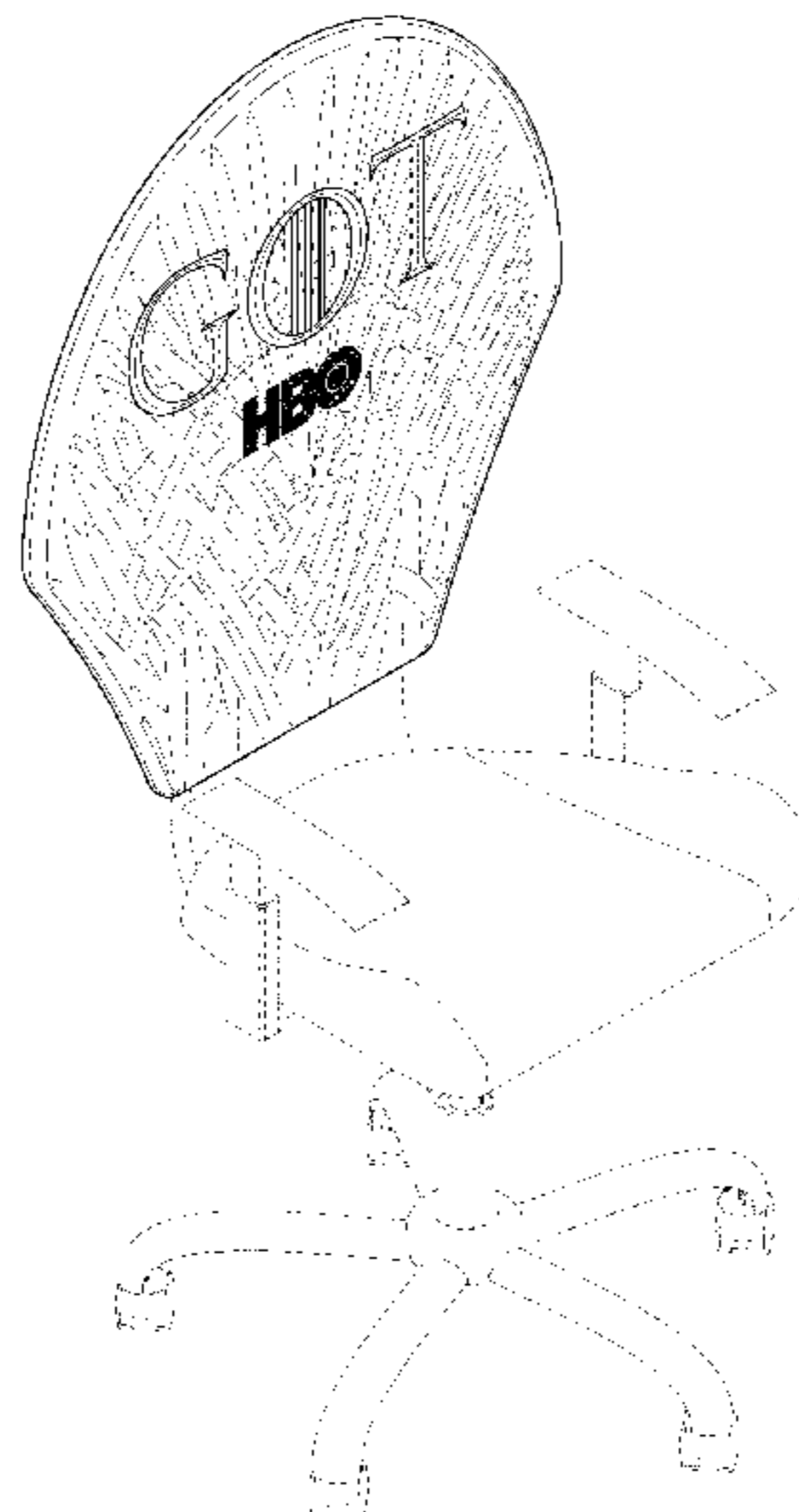
U.S. PATENT DOCUMENTS

6,129,419 A * 10/2000 Neale B60N 2/58 297/284.4
D439,101 S * 3/2001 Simons, Jr. D6/366
D647,353 S * 10/2011 Boenigk D6/611
D648,587 S * 11/2011 Rice Golin D6/611
D648,589 S * 11/2011 Rice Golin D6/611

The broken lines in the figures are for the purpose of illustrating portions of the seat cover, which form no part of the claimed design. The additional broken lines in FIGS. 1, 5, 7 and 9 depicting a chair are to show environment and form no part of the claimed design.

(Continued)

1 Claim, 6 Drawing Sheets



(56)

References Cited

U.S. PATENT DOCUMENTS

D674,647	S	1/2013	Glowner	
D675,469	S	* 1/2013	Glowner	D6/611
D772,612	S	* 11/2016	Wentz	D6/608
D785,973	S	* 5/2017	Wentz	D6/608
D786,585	S	* 5/2017	Wentz	D6/608
D800,481	S	* 10/2017	Craddock	D6/611
D817,034	S	* 5/2018	Pittman	D6/611

* cited by examiner

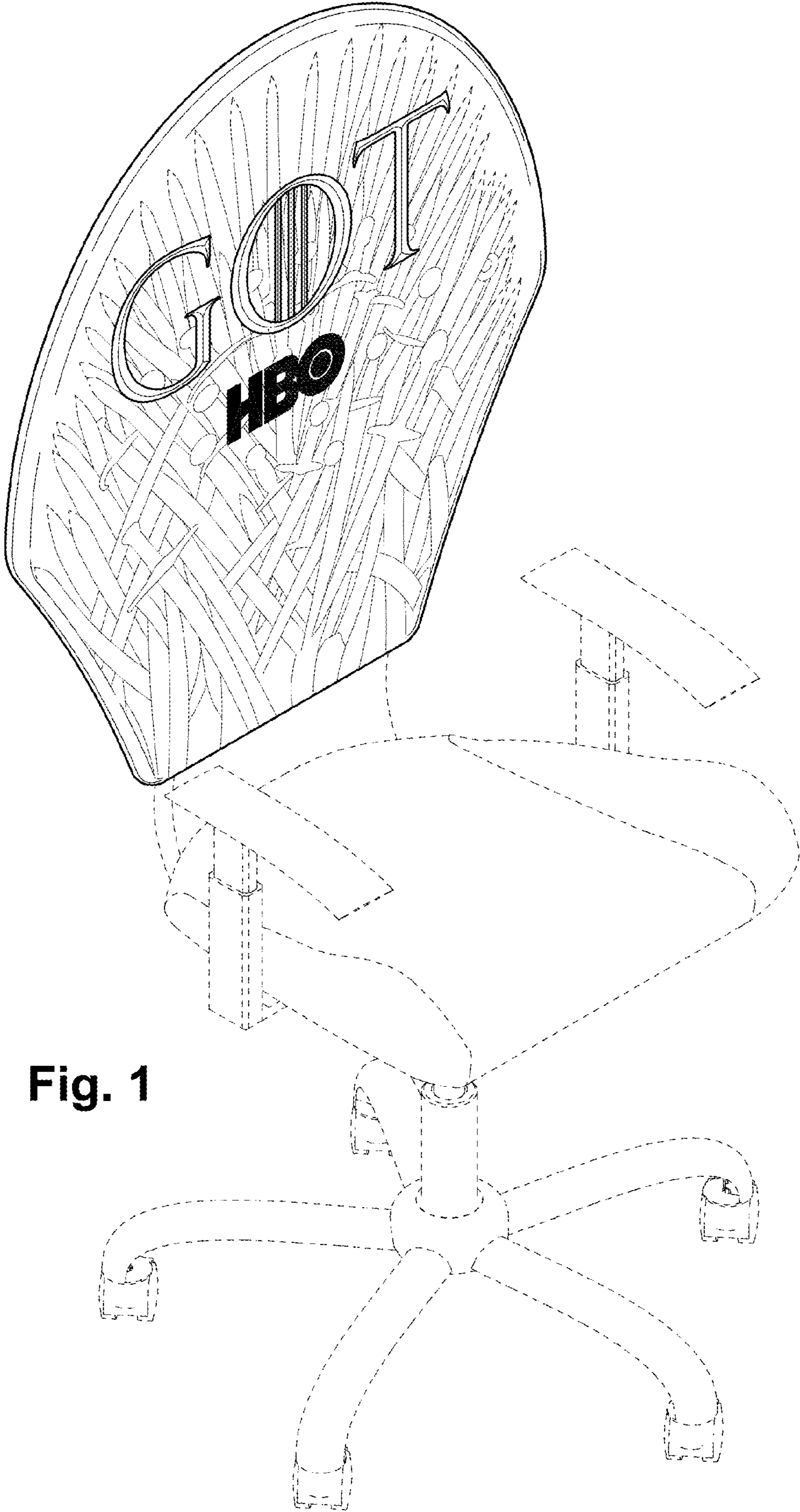


Fig. 1



Fig. 2

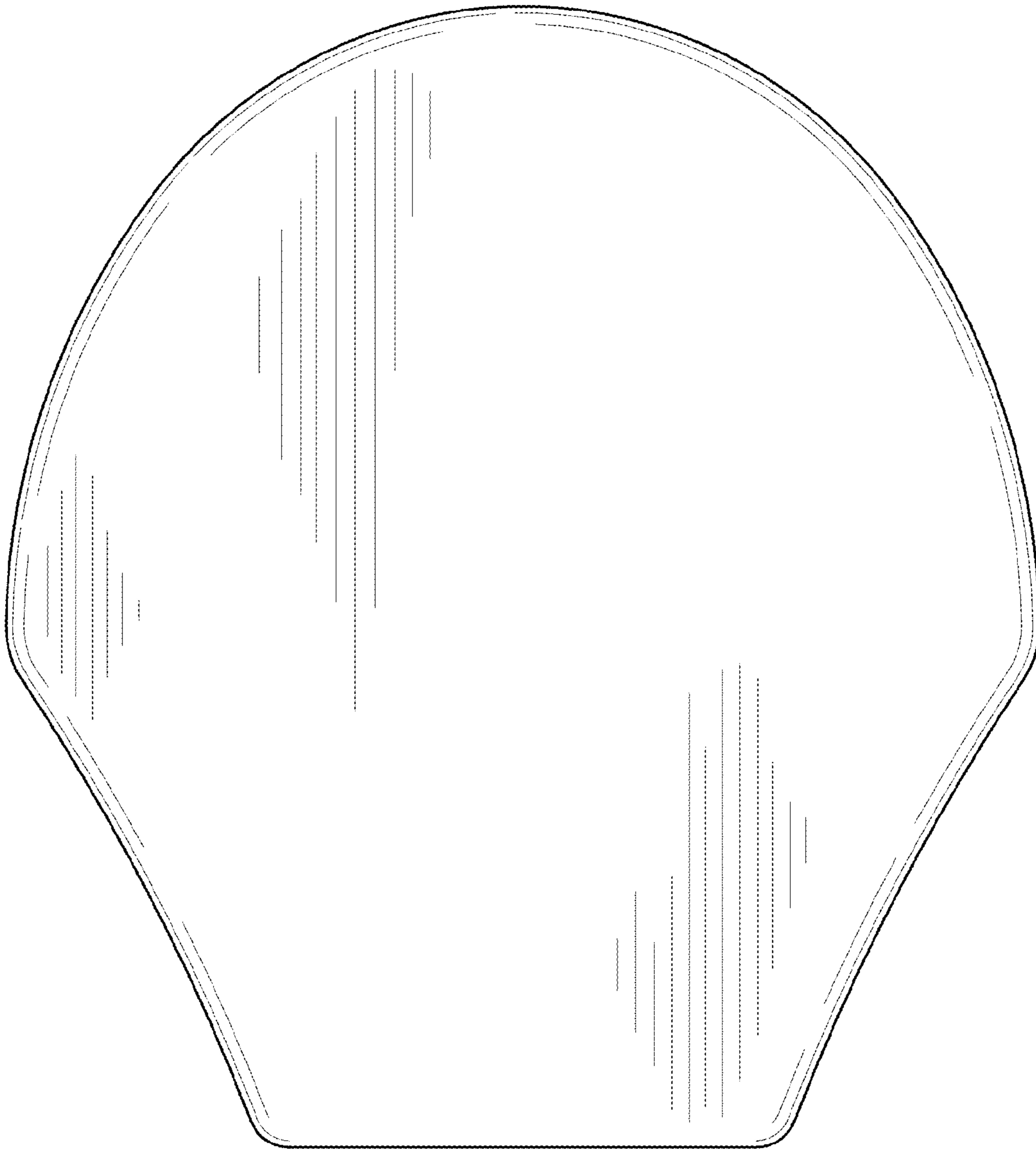


Fig. 3

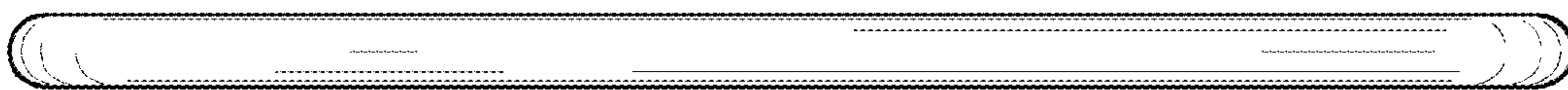


Fig. 4

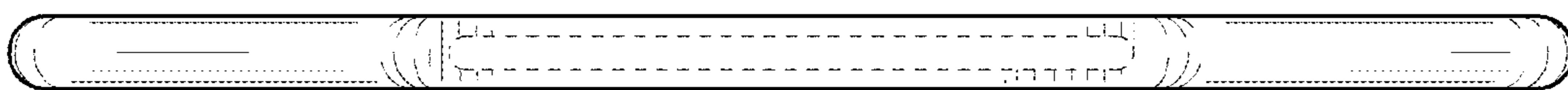


Fig. 5



Fig. 6

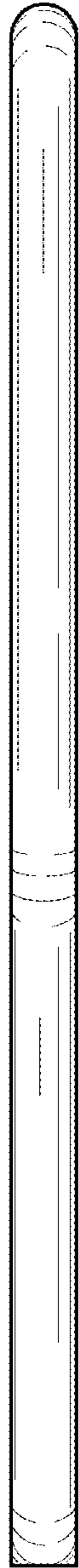


Fig. 7

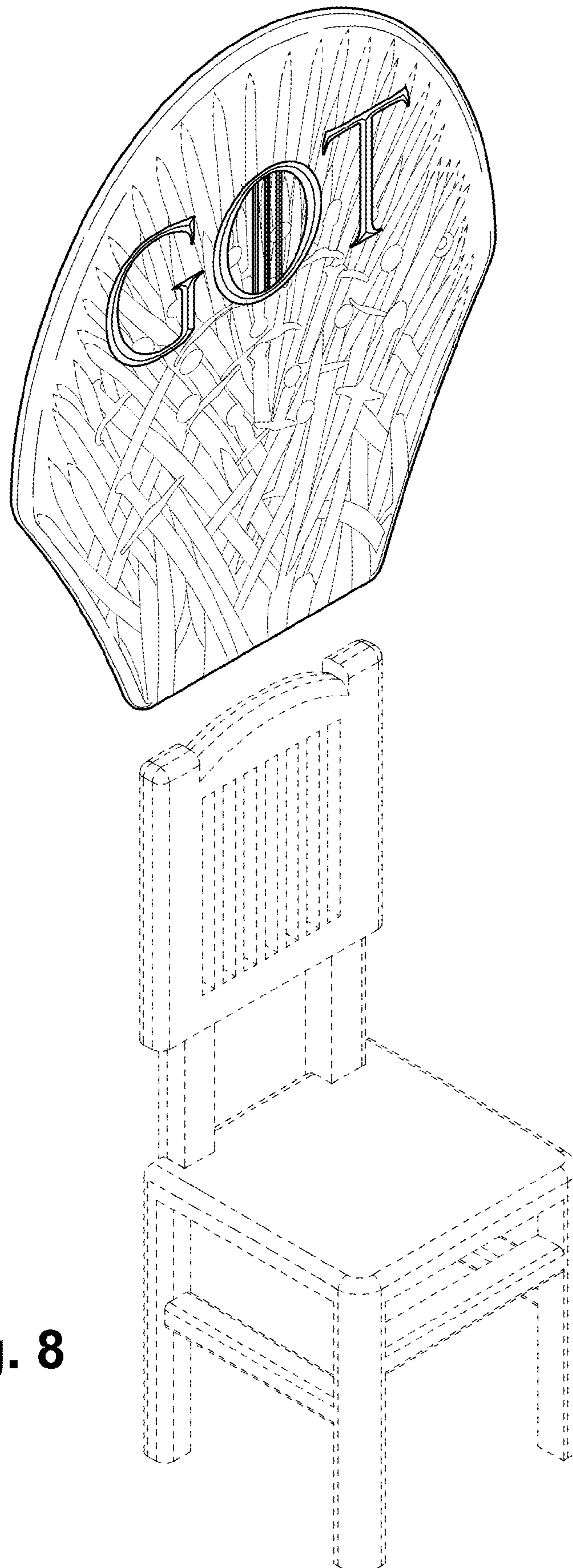


Fig. 8

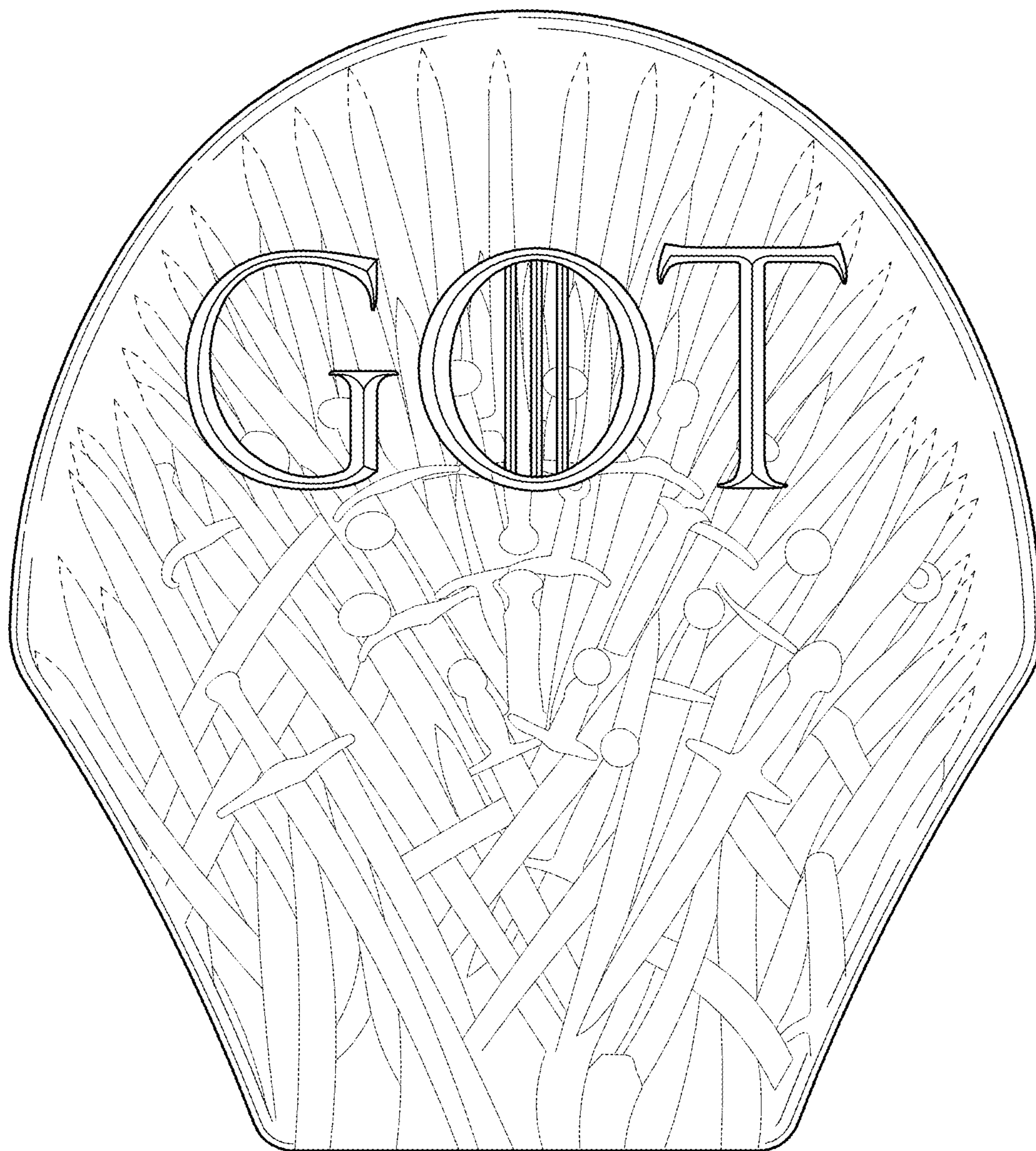


Fig. 9