



US00D913014S

(12) **United States Design Patent**  
**Gao**

(10) **Patent No.:** **US D913,014 S**

(45) **Date of Patent:** **\*\* Mar. 16, 2021**

(54) **MATTRESS WITH BACKREST**  
(71) Applicant: **JILONG PLASTIC PRODUCTS**  
**(JIANGSU) CO., LTD.**, Jiangsu (CN)  
(72) Inventor: **Lianping Gao**, Jiangsu (CN)  
(\*\*) Term: **15 Years**  
(21) Appl. No.: **29/744,736**

D507,445 S \* 7/2005 Song ..... D6/596  
D513,915 S \* 1/2006 Jacklin ..... D21/809  
D543,064 S 5/2007 Hale  
D593,340 S \* 6/2009 Austen ..... D6/393  
D602,708 S \* 10/2009 Coleman ..... D6/393  
8,661,590 B2 \* 3/2014 Chen ..... A47C 27/082  
5/711  
D747,117 S \* 1/2016 Lau ..... D6/393  
D861,816 S \* 10/2019 Hsu ..... D21/803  
D862,623 S \* 10/2019 Hsu ..... D21/803  
D884,389 S \* 5/2020 Modeste ..... D6/604  
D894,637 S \* 9/2020 Jiang ..... D6/604

(22) Filed: **Jul. 31, 2020**  
(51) **LOC (13) Cl.** ..... **06-09**  
(52) **U.S. Cl.**  
USPC ..... **D6/604**

\* cited by examiner

*Primary Examiner* — Jennifer L Rempfer  
(74) *Attorney, Agent, or Firm* — ZANIP

(58) **Field of Classification Search**  
USPC ..... D6/582–583, 587–592, 595–609,  
D6/617–622; D21/803–809; D24/183  
CPC ..... A47G 9/00; A47G 2009/001; A47G  
2009/002; A47G 2009/003; A47G  
2009/005; A47G 2009/006; A47G 9/02;  
A47G 9/0207; A47G 9/0215; A47G  
9/0223; A47G 9/023; A47G 9/0238;  
A47G 9/0246; A47G 9/0253; A47G  
9/0261; A47G 9/06; A47G 9/062; A47G  
9/066; A47G 9/068; A47G 9/08; A47G  
2009/0276; A47G 9/0284; A47G 9/0292;  
A47G 9/04; A47G 9/10

(57) **CLAIM**

The ornamental design for a mattress with backrest, as shown and described.

See application file for complete search history.

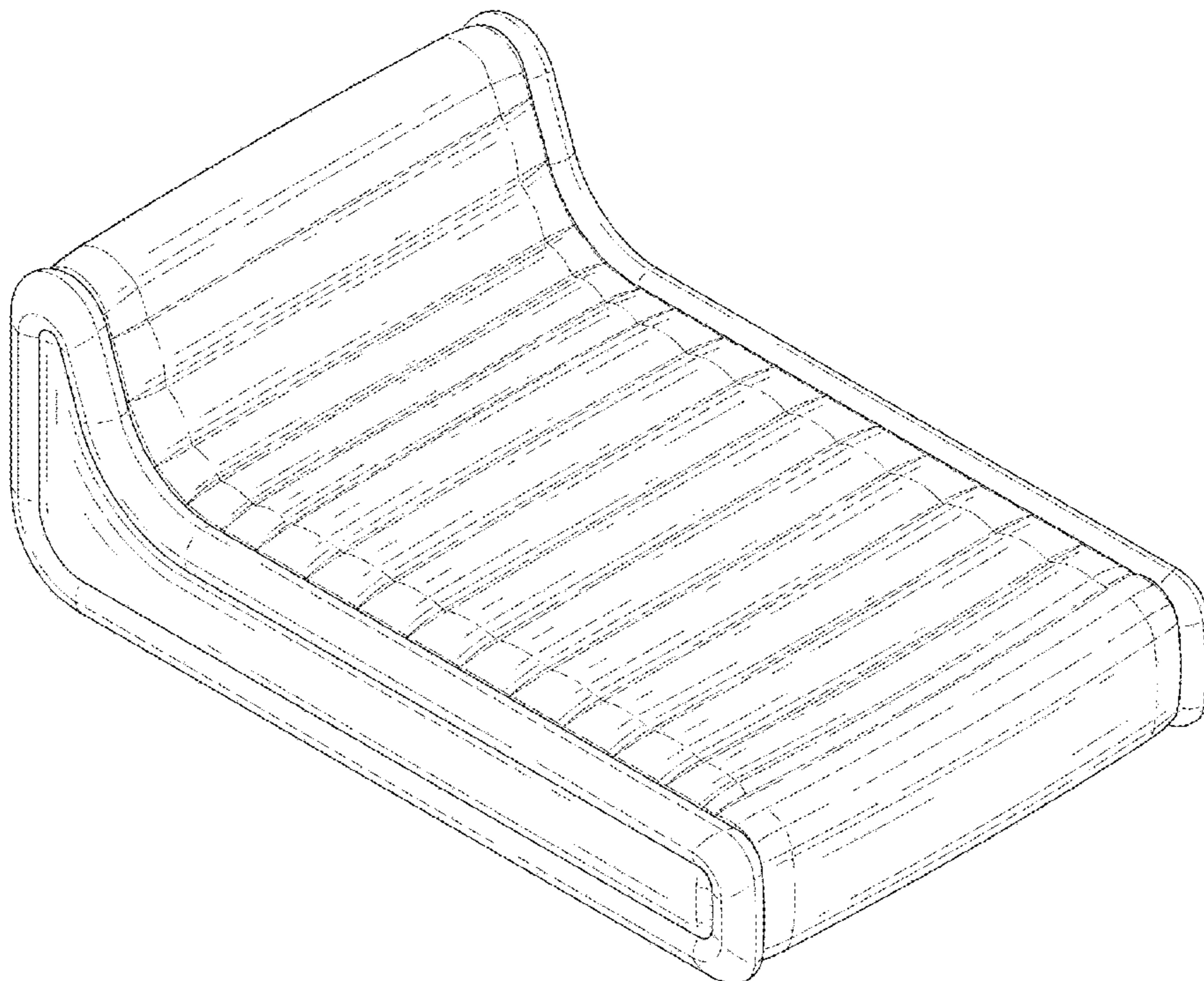
**DESCRIPTION**

FIG. 1 is a front and top perspective view of a mattress with backrest, showing my new design;  
FIG. 2 is a rear and bottom perspective view thereof;  
FIG. 3 is a top plan view thereof;  
FIG. 4 is a bottom plan view thereof;  
FIG. 5 is a left side elevational view thereof;  
FIG. 6 is a right side elevational view thereof;  
FIG. 7 is a front elevational view thereof; and,  
FIG. 8 is a rear elevational view thereof.  
The broken lines in the figures illustrate portions of the mattress with backrest that form no part of the claimed design.

(56) **References Cited**  
U.S. PATENT DOCUMENTS

D308,403 S \* 6/1990 LaForce, Jr. .... D12/316  
D335,999 S \* 6/1993 Van Driessche ..... 5/631

**1 Claim, 8 Drawing Sheets**



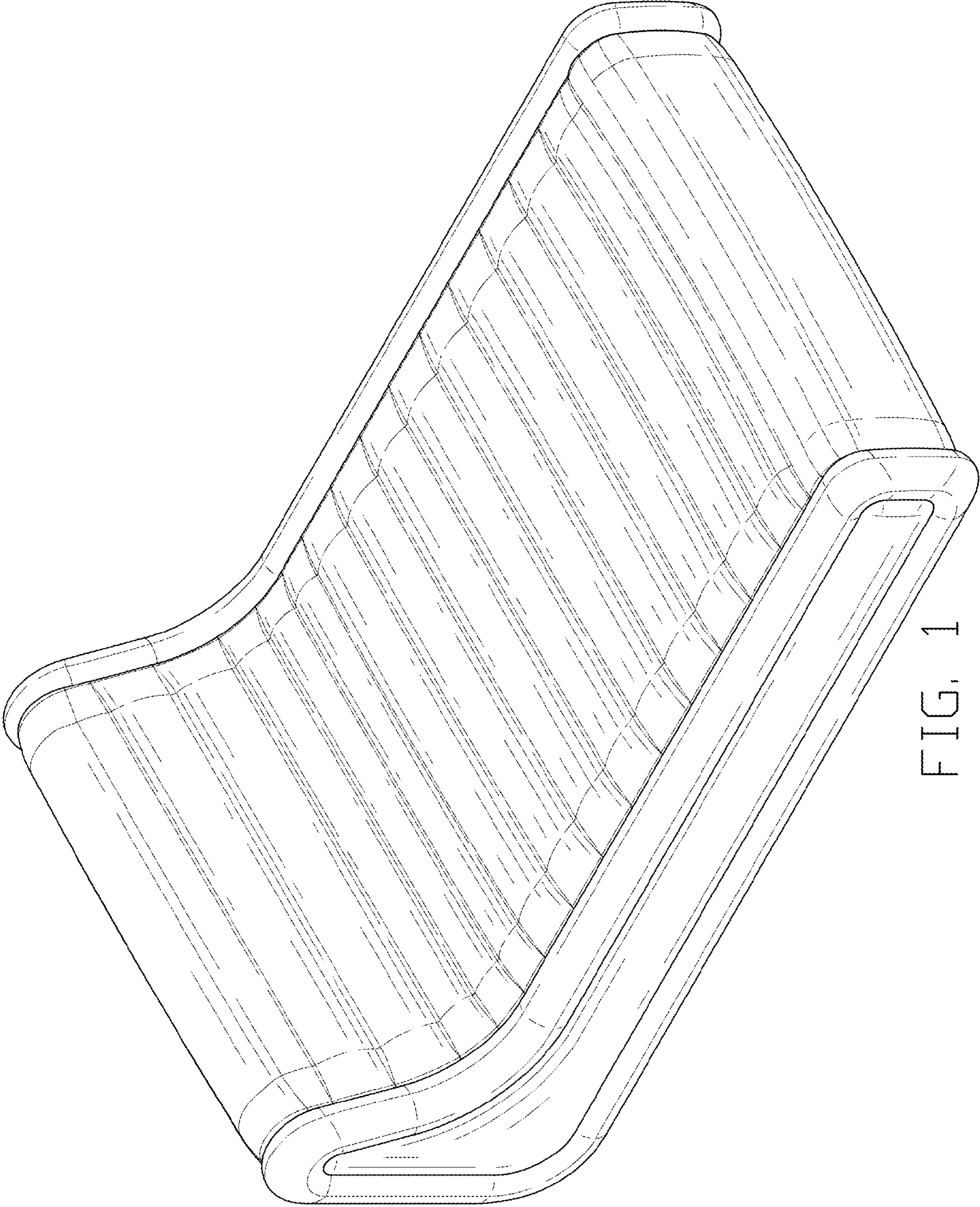


FIG. 1

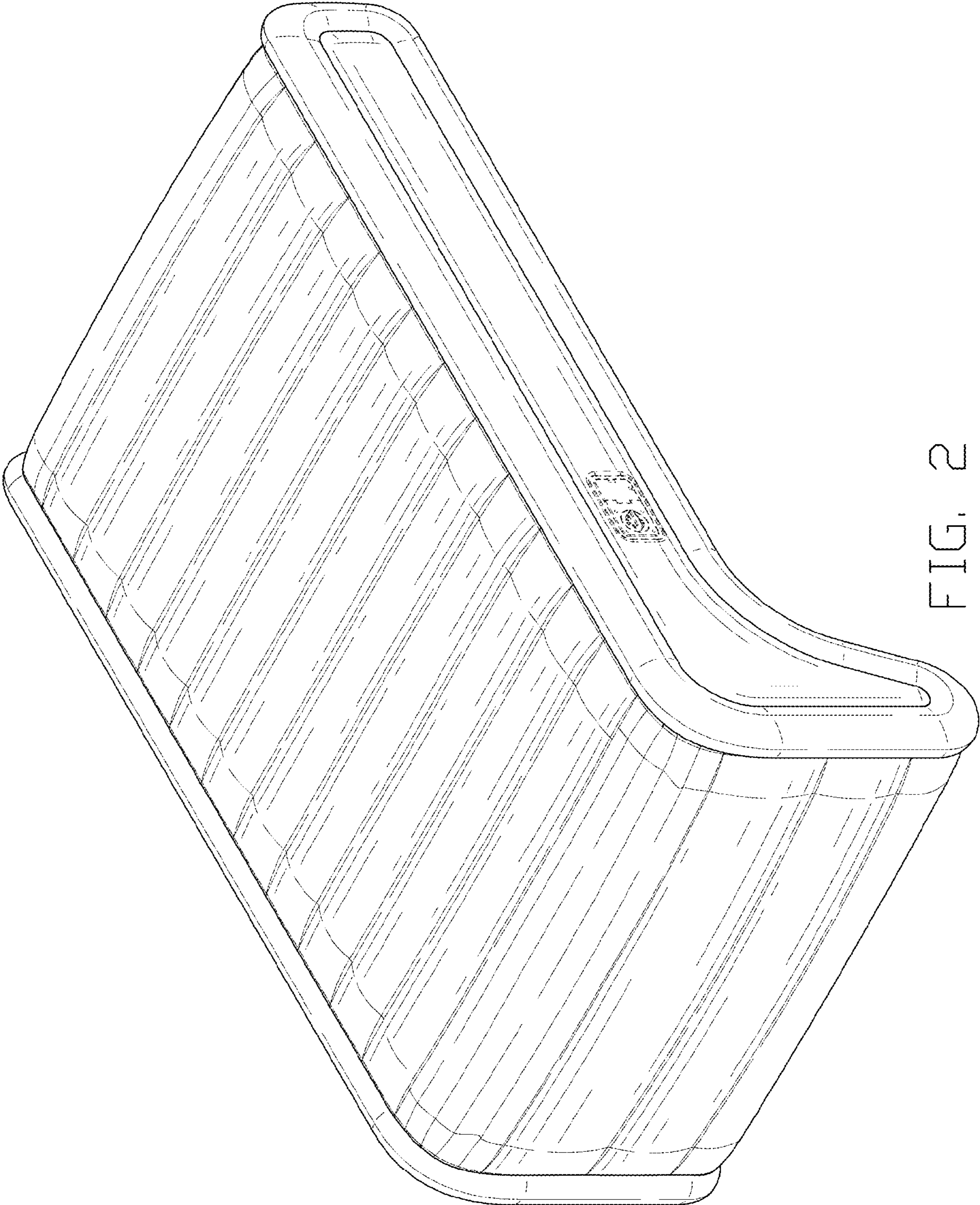


FIG. 2

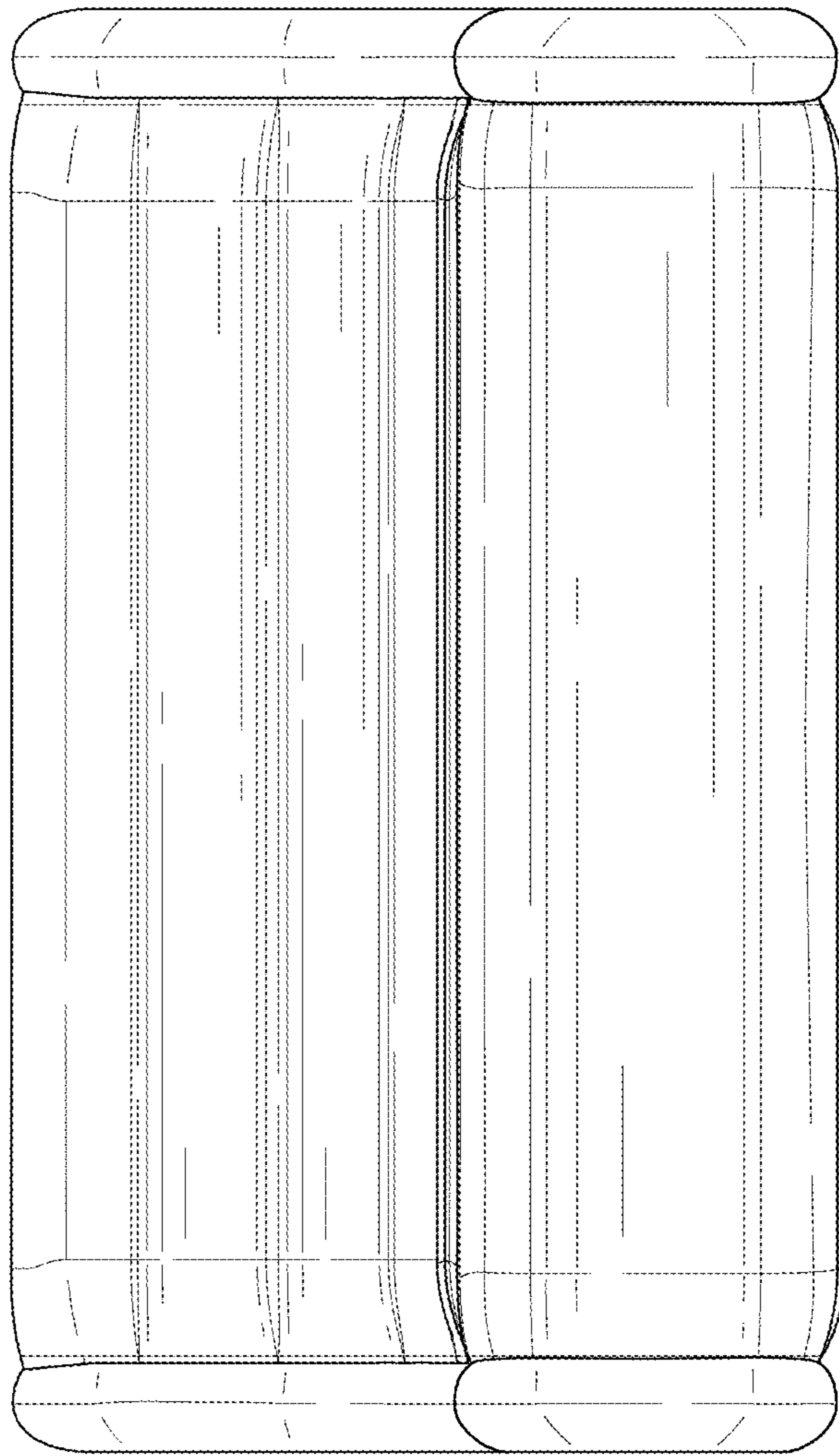


FIG. 3

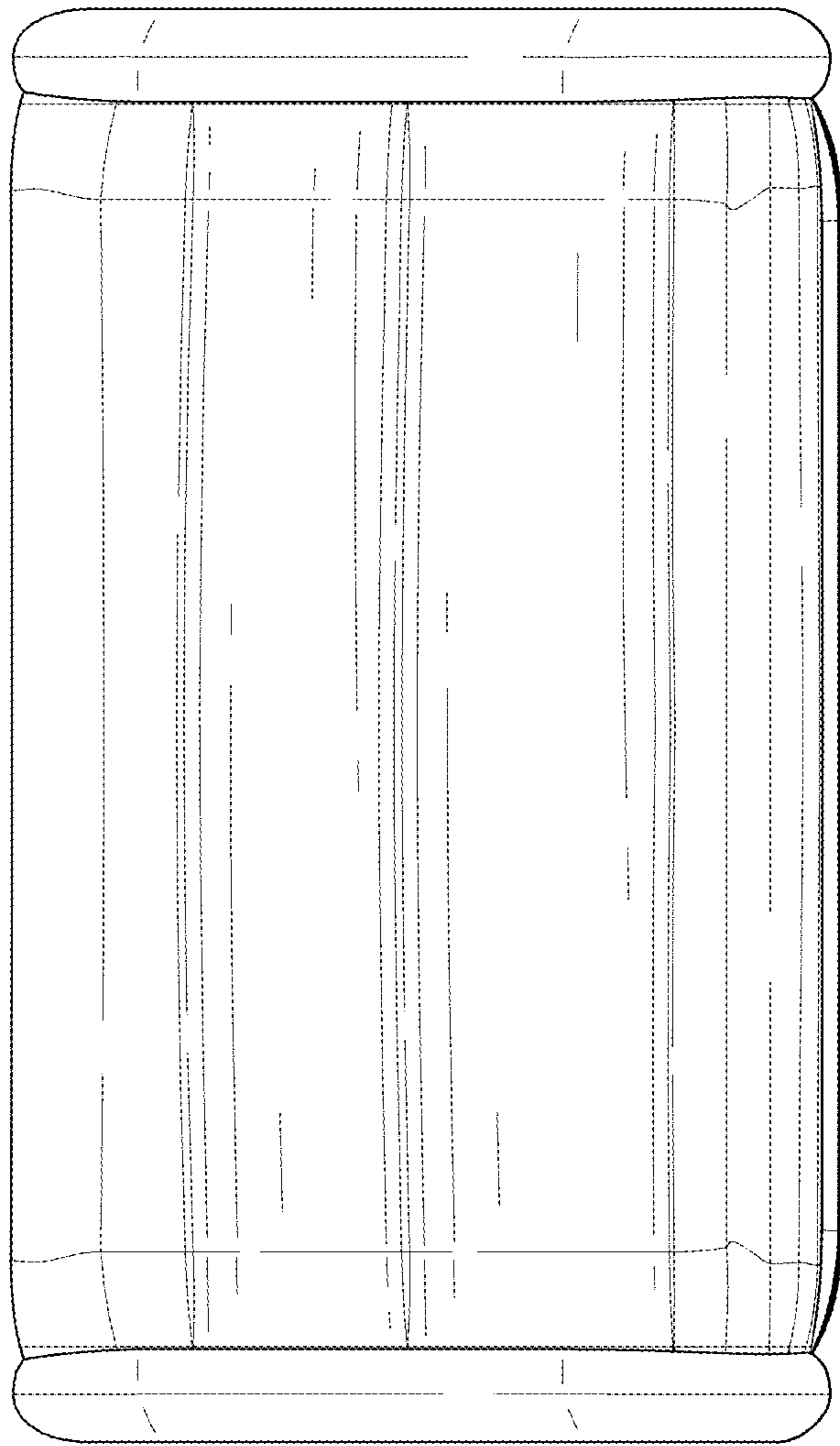


FIG. 4

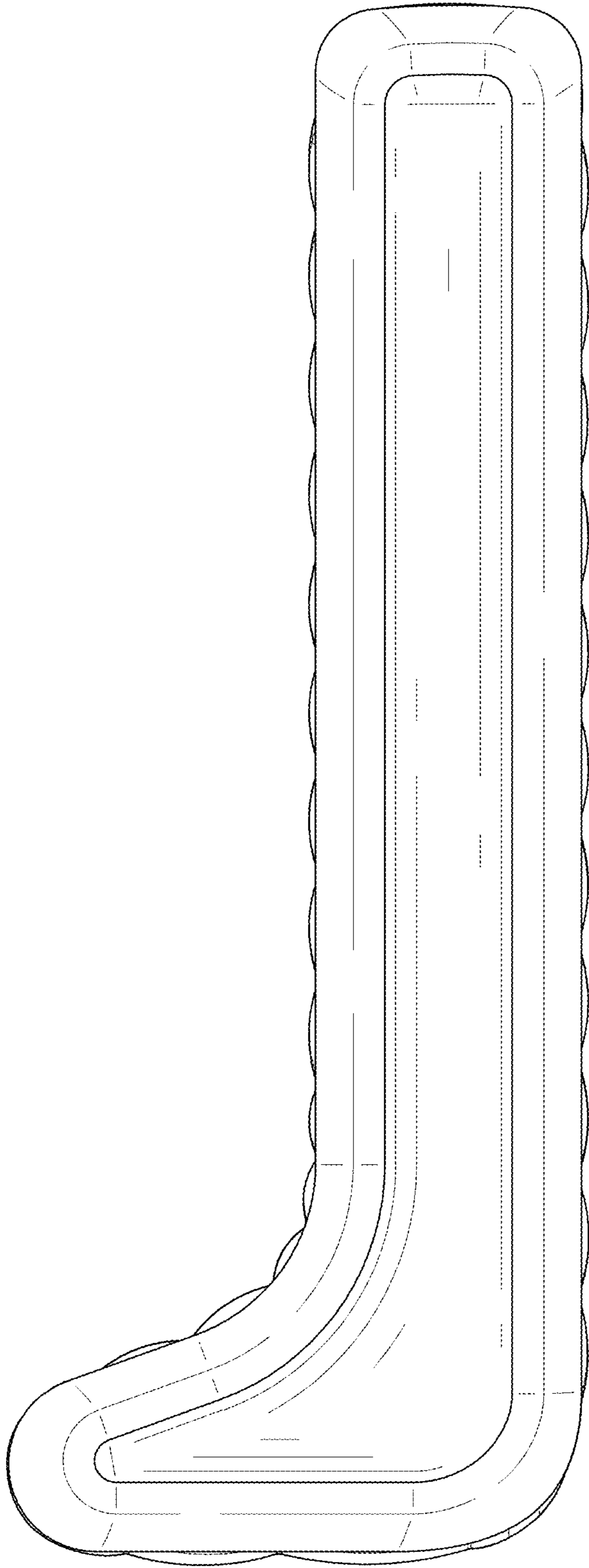


FIG. 5

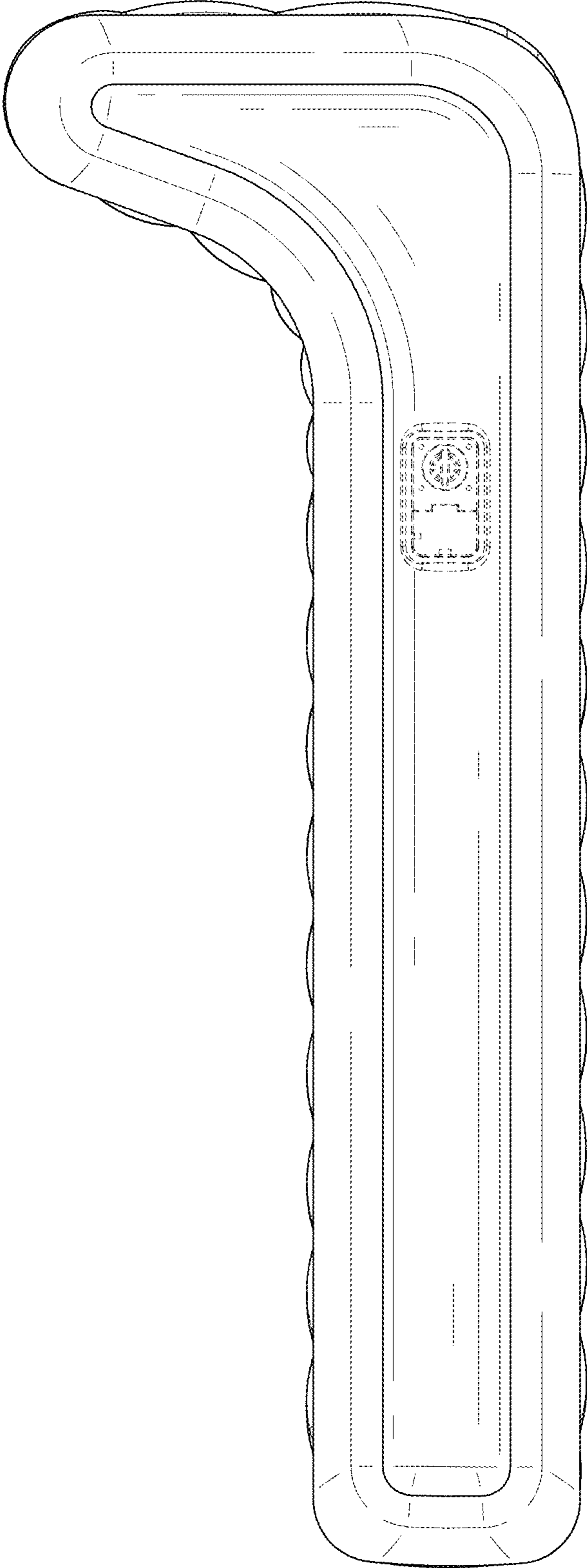


FIG. 6

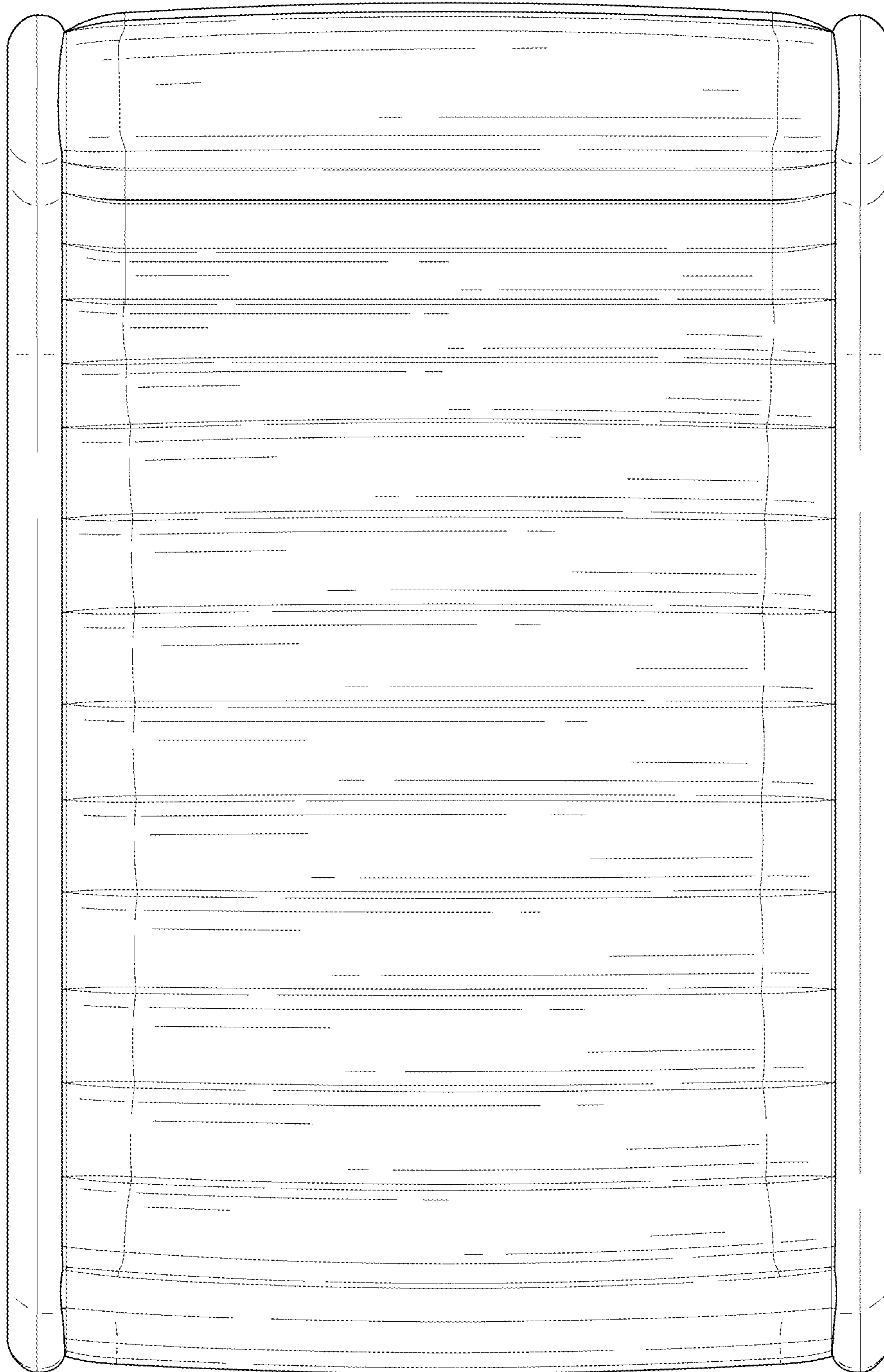


FIG. 7



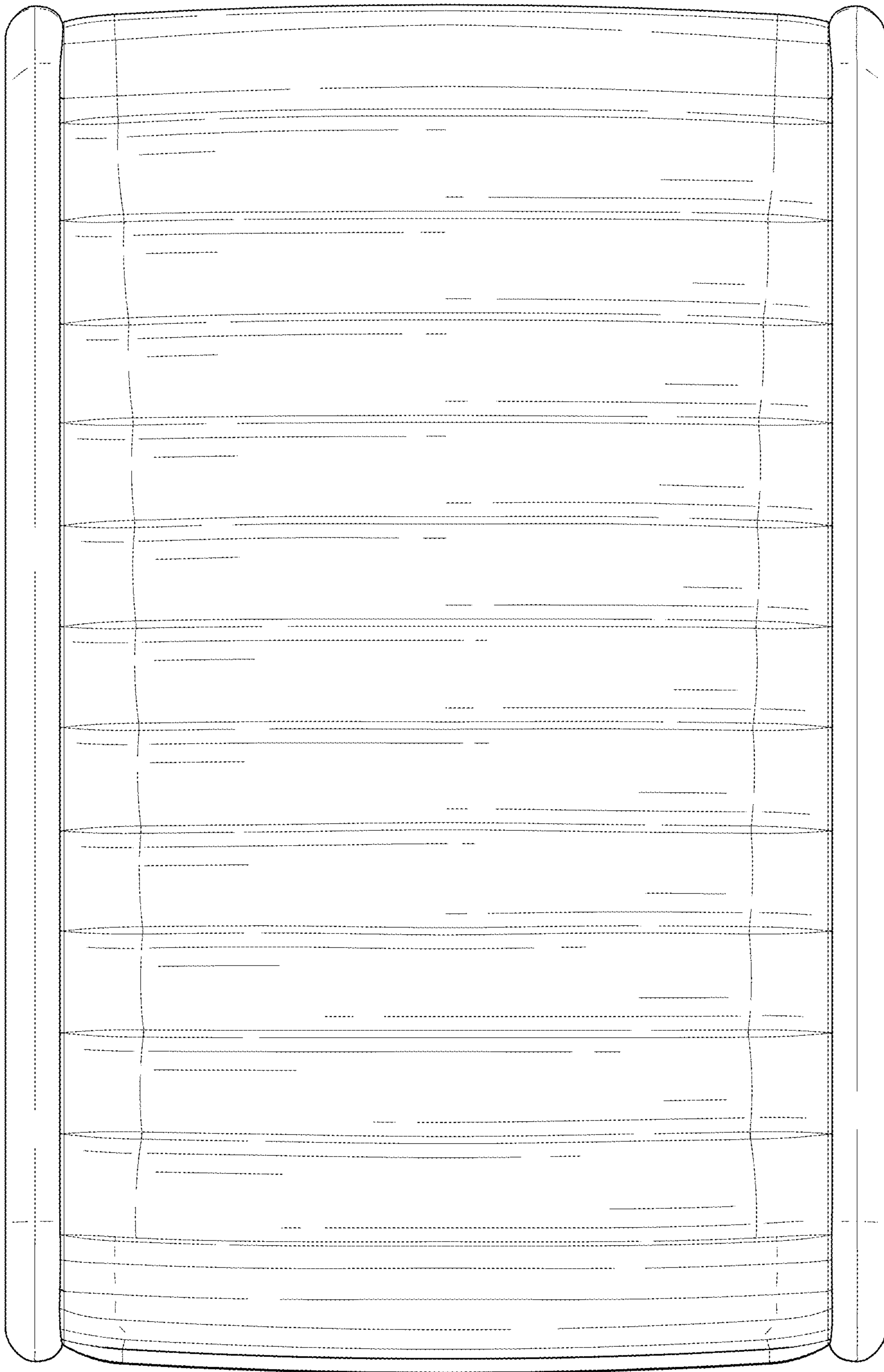


FIG. 8