



US00D913010S

(12) **United States Design Patent** (10) **Patent No.:** **US D913,010 S**
Jheow (45) **Date of Patent:** **** Mar. 16, 2021**

(54) **MODULAR TRAVEL PILLOW SET**
(71) Applicant: **Cori Traveller Pte Ltd**, Singapore (SG)
(72) Inventor: **Ban Yinh Jheow**, Singapore (SG)
(73) Assignee: **CORI TRAVELLER PTE LTD**, Singapore (SG)

D528,709 S * 9/2006 Nazimek D30/160
D556,333 S * 11/2007 Hoffman D24/200
D591,548 S * 5/2009 LaFratta D6/601
D604,857 S * 11/2009 Troutman D24/192
D624,190 S * 9/2010 Neri D24/189
D627,074 S * 11/2010 Ray D24/192
D637,434 S * 5/2011 Lovinger D6/601
D648,807 S * 11/2011 Butler D21/398
D671,225 S * 11/2012 Higley D24/206
(Continued)

(**) Term: **15 Years**

(21) Appl. No.: **29/614,132**

(22) Filed: **Aug. 16, 2017**

(30) **Foreign Application Priority Data**

Jun. 9, 2017 (SG) 30201703935T

(51) **LOC (13) Cl.** **06-09**

(52) **U.S. Cl.**
USPC **D6/601**

(58) **Field of Classification Search**
USPC D6/582-583, 587-592, 595-609,
D6/617-622; D21/803-809; D24/183
CPC A47G 9/00; A47G 2009/001; A47G
2009/002; A47G 2009/003; A47G 9/10;
A47G 9/1009; A47G 2009/1018; A47G
9/1045; A47G 9/1081; A47G 9/109
See application file for complete search history.

(56) **References Cited**

U.S. PATENT DOCUMENTS

D257,200 S * 10/1980 LaRocca 5/645
D314,116 S * 1/1991 Reed D6/601
D333,403 S * 2/1993 Perrone D24/190
D439,342 S * 3/2001 Seip, Jr. D24/190
D446,677 S * 8/2001 Hall D6/601
6,795,990 B1 * 9/2004 Hutchinson A47C 20/021
5/490
D527,937 S * 9/2006 Aiken D6/601

OTHER PUBLICATIONS

CORI.The 1st Customisable Travel Pillow that ADAPTS to you by CORI . Cited visited Apr. 15, 2019. Found at:Kickstarterhttps://www.kickstarter.com/projects/165441096/cori-the-1st-customisable-travel-pillow-t . . *

Primary Examiner — Jennifer L Rempfer

(74) *Attorney, Agent, or Firm* — Womble Bond Dickinson (US) LLP

(57) **CLAIM**

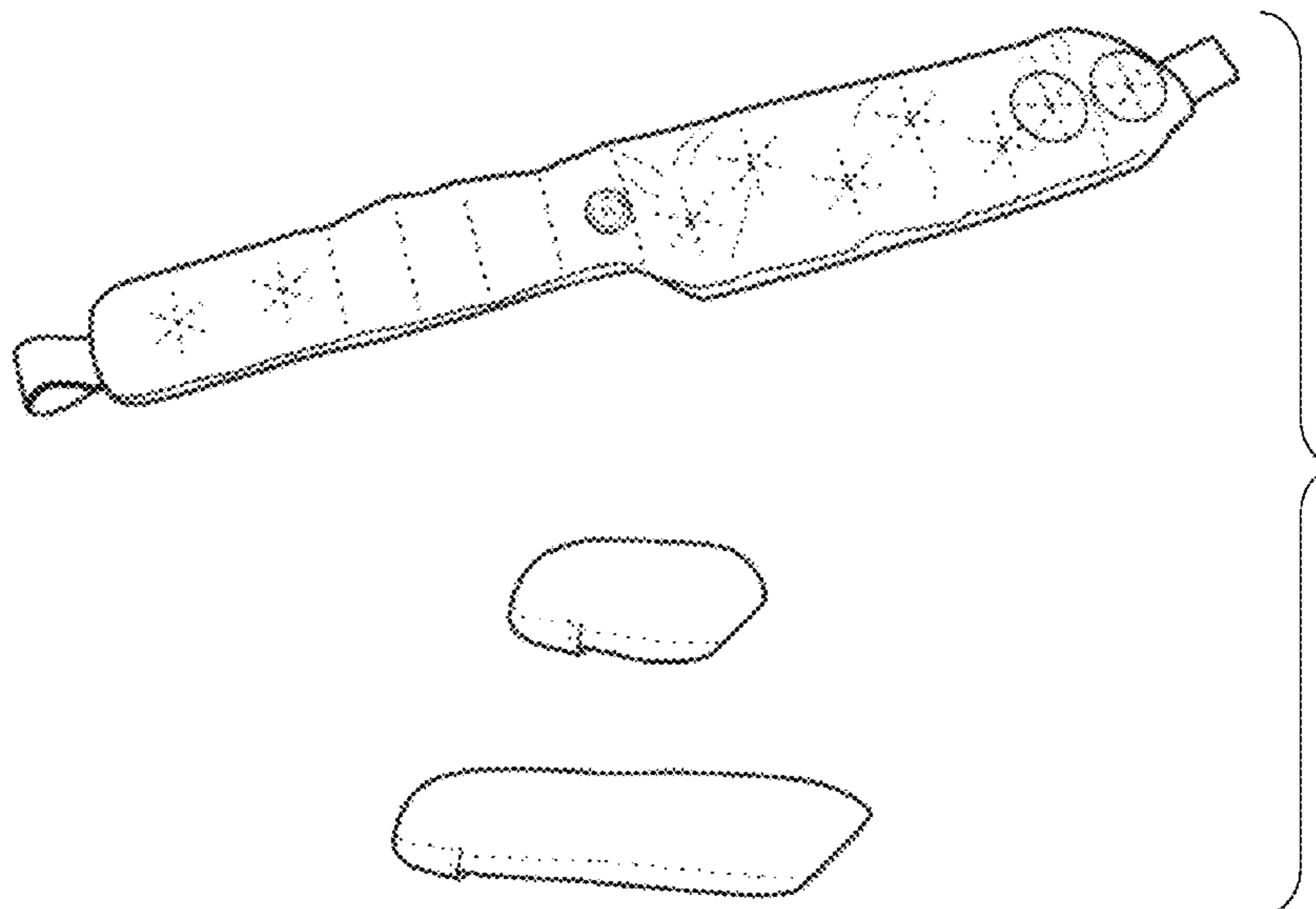
The ornamental design for a modular travel pillow set, as shown and described.

DESCRIPTION

FIG. 1 is a perspective view of the modular travel pillow set. FIG. 2 is a top view of the modular travel pillow set. FIG. 3 is a bottom view of the modular travel pillow set. FIG. 4 is a front view of the modular travel pillow set. FIG. 5 is a rear view of the modular travel pillow set. FIG. 6 is a right view of the modular travel pillow set. FIG. 7 is a left view of the modular travel pillow set; and, FIG. 8 is a perspective view of the modular travel pillow set rolled up.

All broken lines shown in FIGS. 1-7 are used to show stitching of the modular travel pillow set or the creasing effects of fabric or fibrous material. The broken lines do not form part of the claimed design.

1 Claim, 5 Drawing Sheets



(56)

References Cited

U.S. PATENT DOCUMENTS

D713,534	S *	9/2014	Manley, Jr.	D24/189
D718,062	S *	11/2014	Hirata	D6/300
D766,430	S *	9/2016	Cartmel	D24/128
D843,523	S *	3/2019	Young	D21/692
2005/0271857	A1 *	12/2005	Brody	A63B 21/0004 428/78
2015/0076004	A1 *	3/2015	Gerber	A61B 5/0002 205/782
2015/0089742	A1 *	4/2015	Aas-Jakobsen	A47G 9/1045 5/632
2016/0120253	A1 *	5/2016	Schenk	A47G 9/10 2/173

* cited by examiner

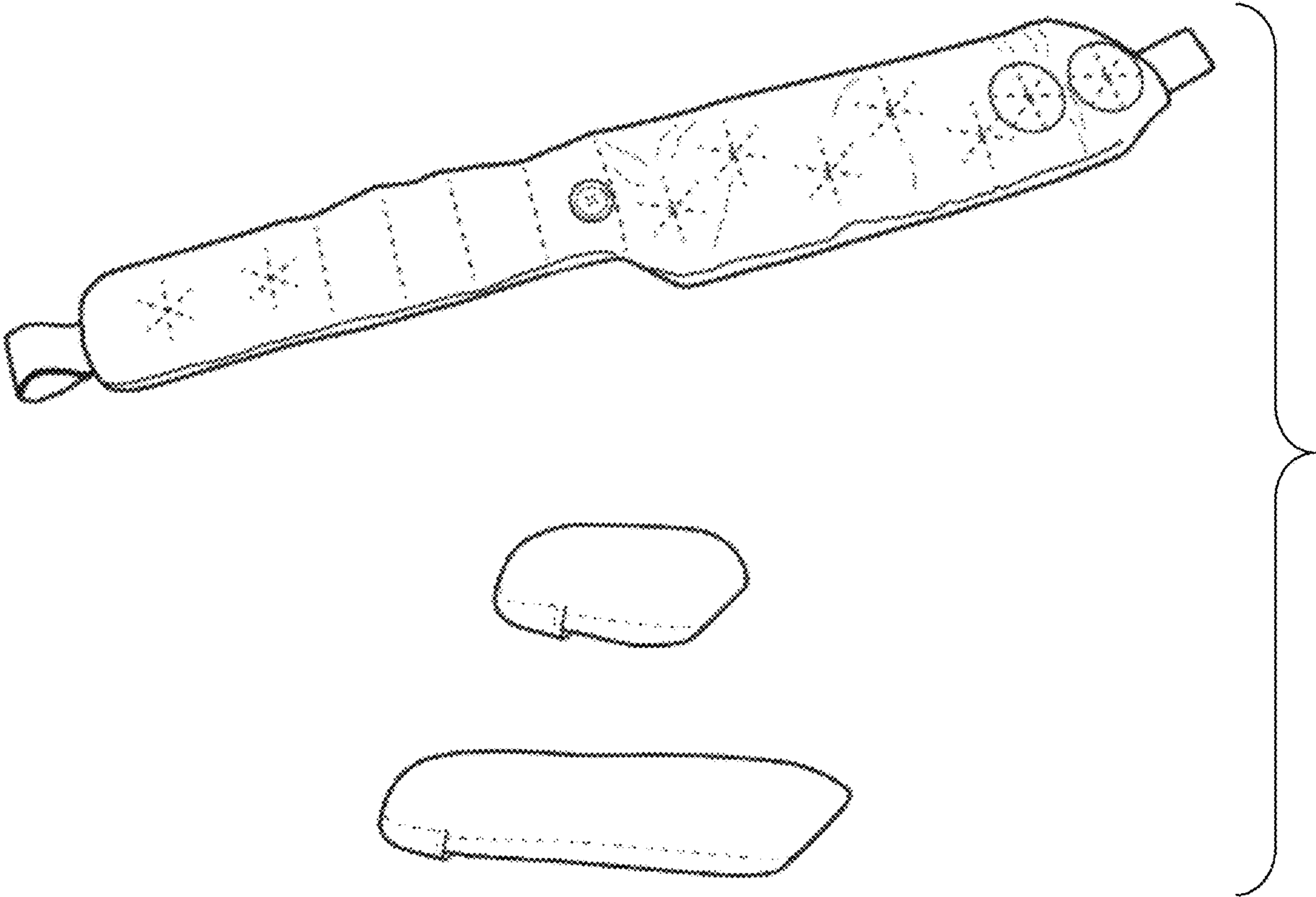


FIG. 1

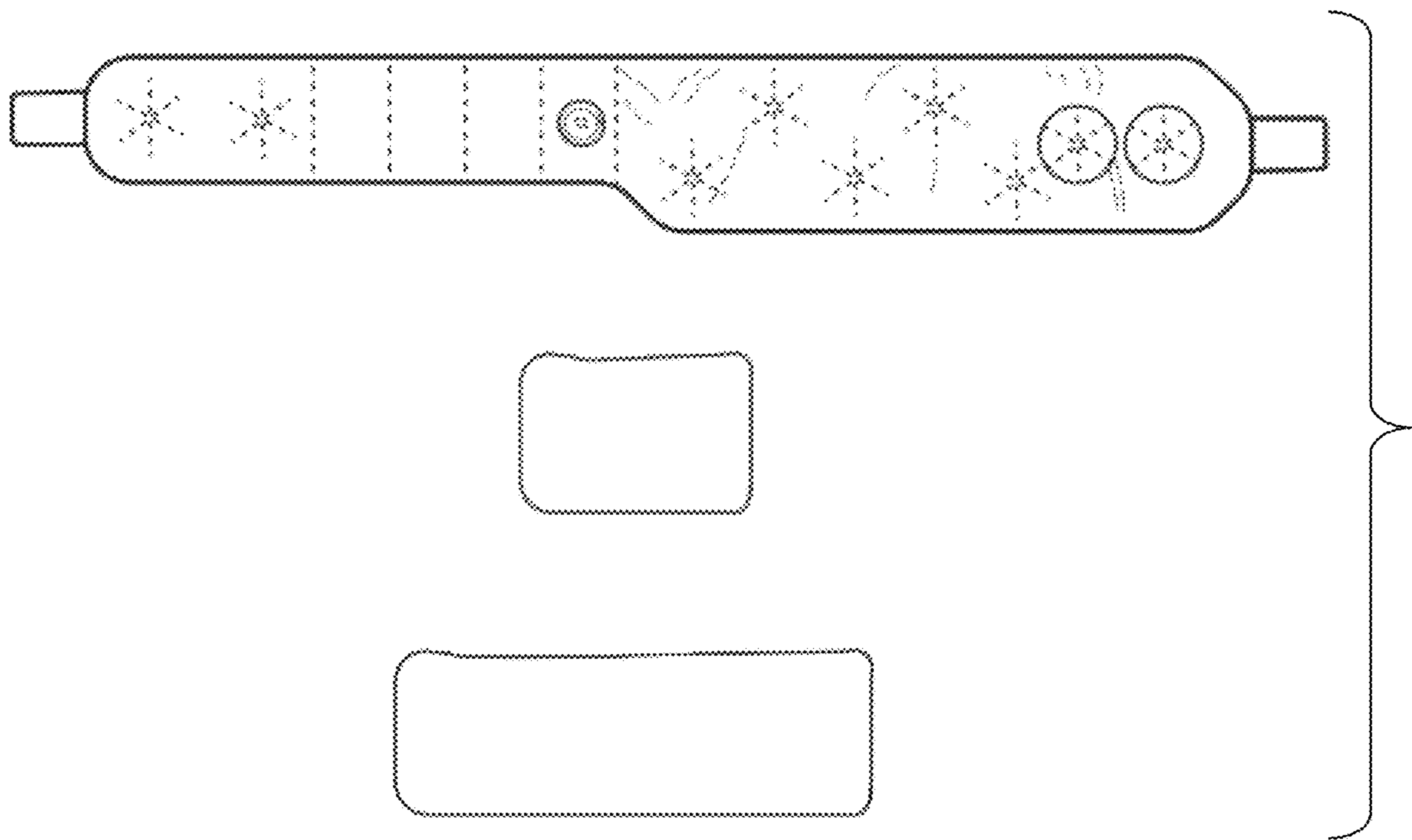


FIG. 2

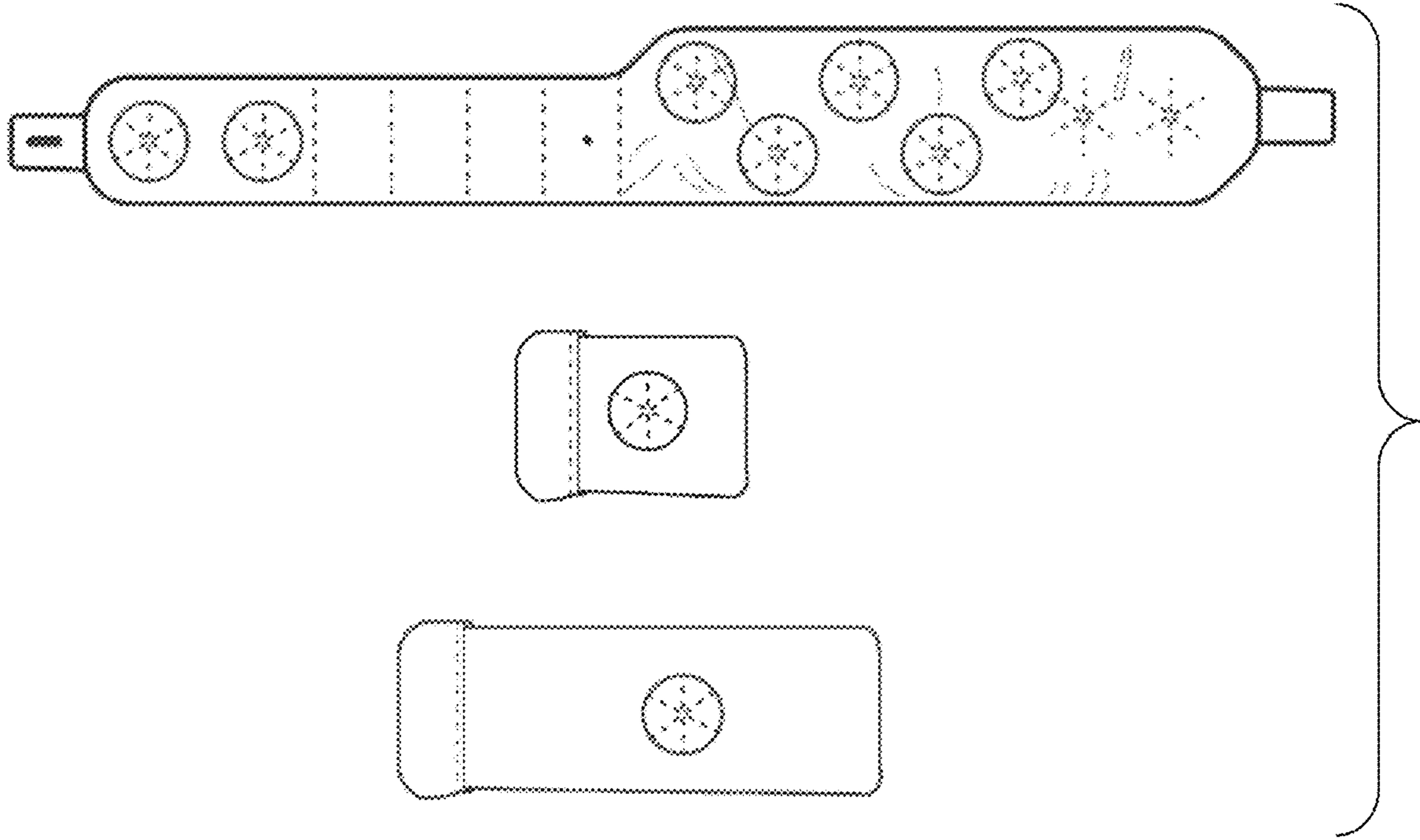


FIG. 3

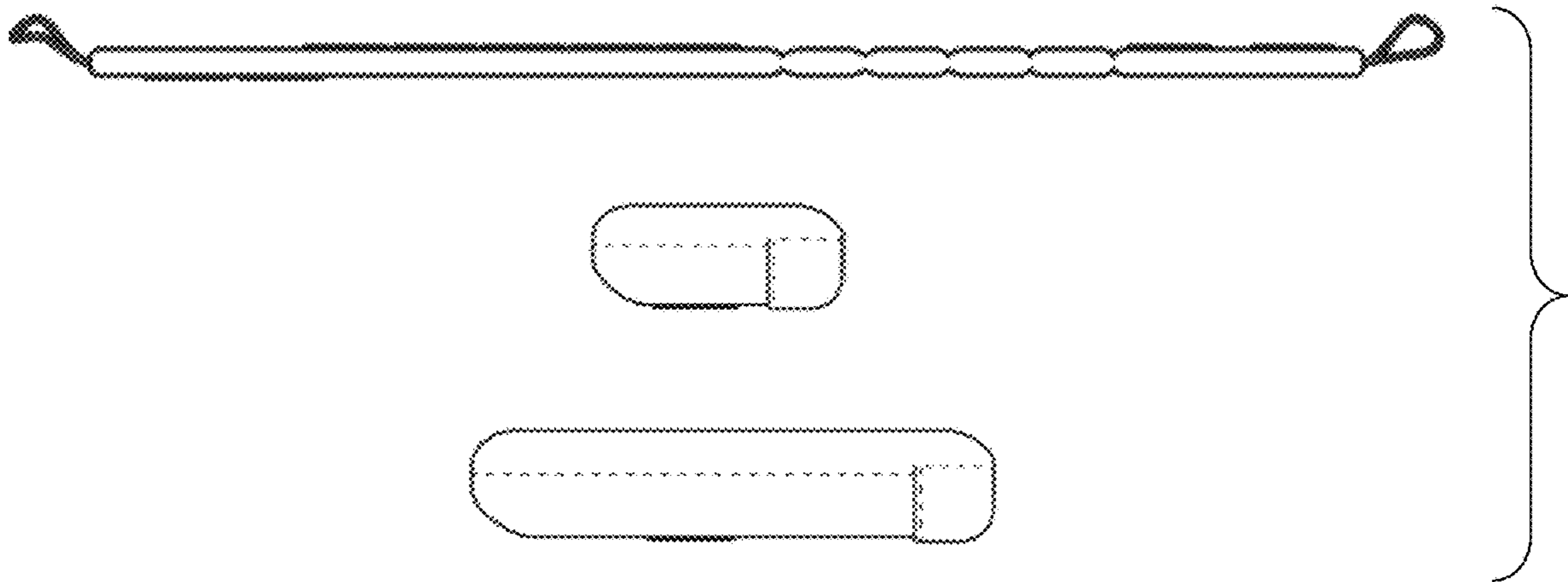


FIG. 4

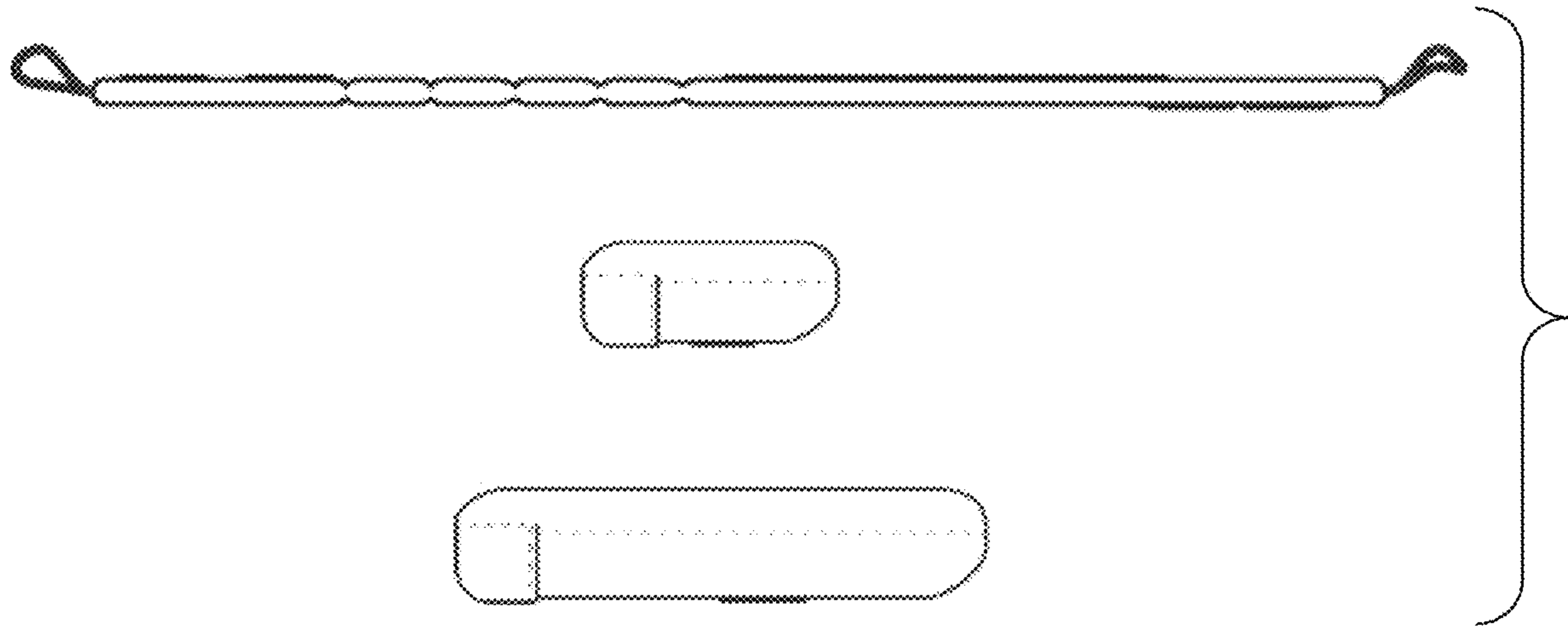


FIG. 5

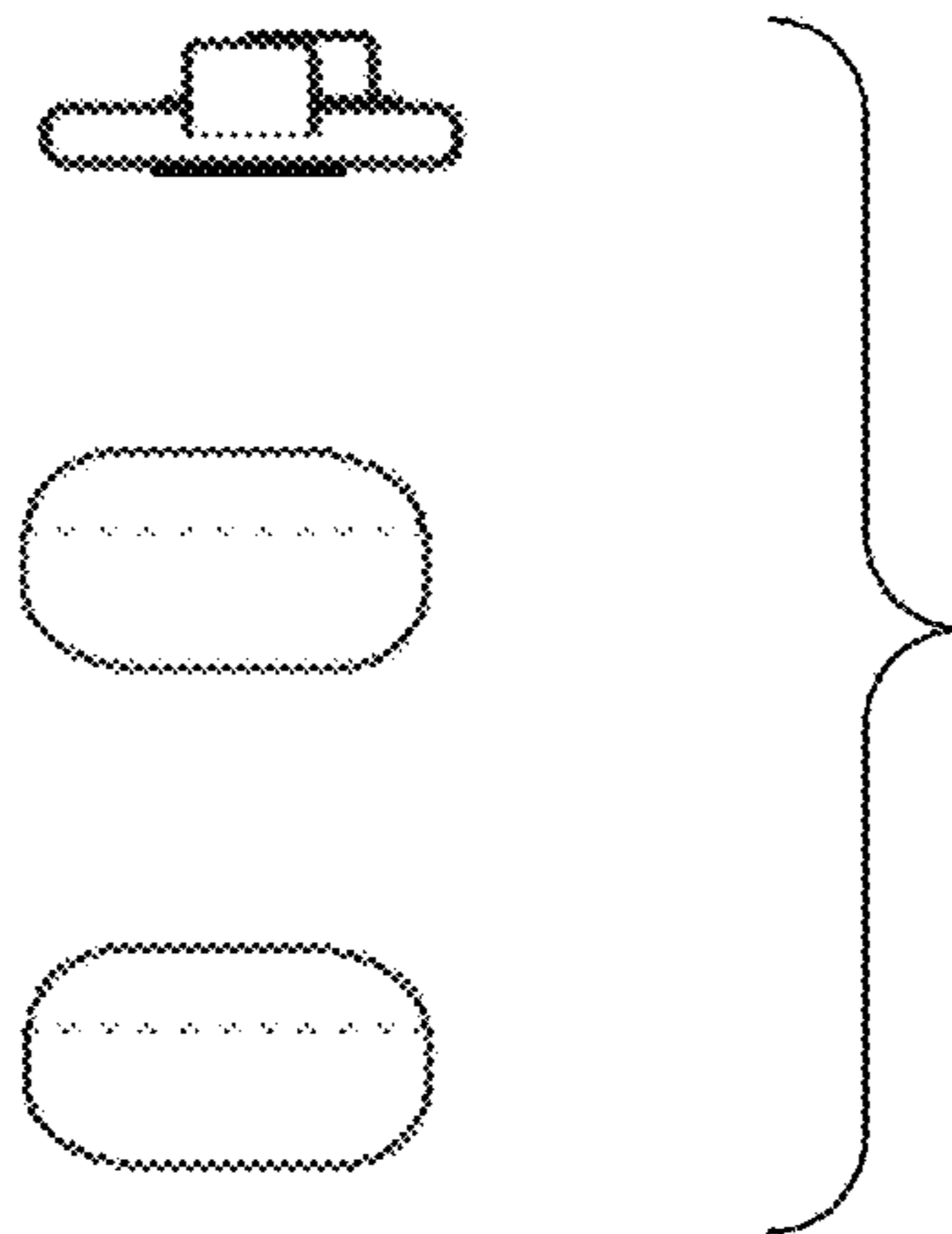


FIG. 6

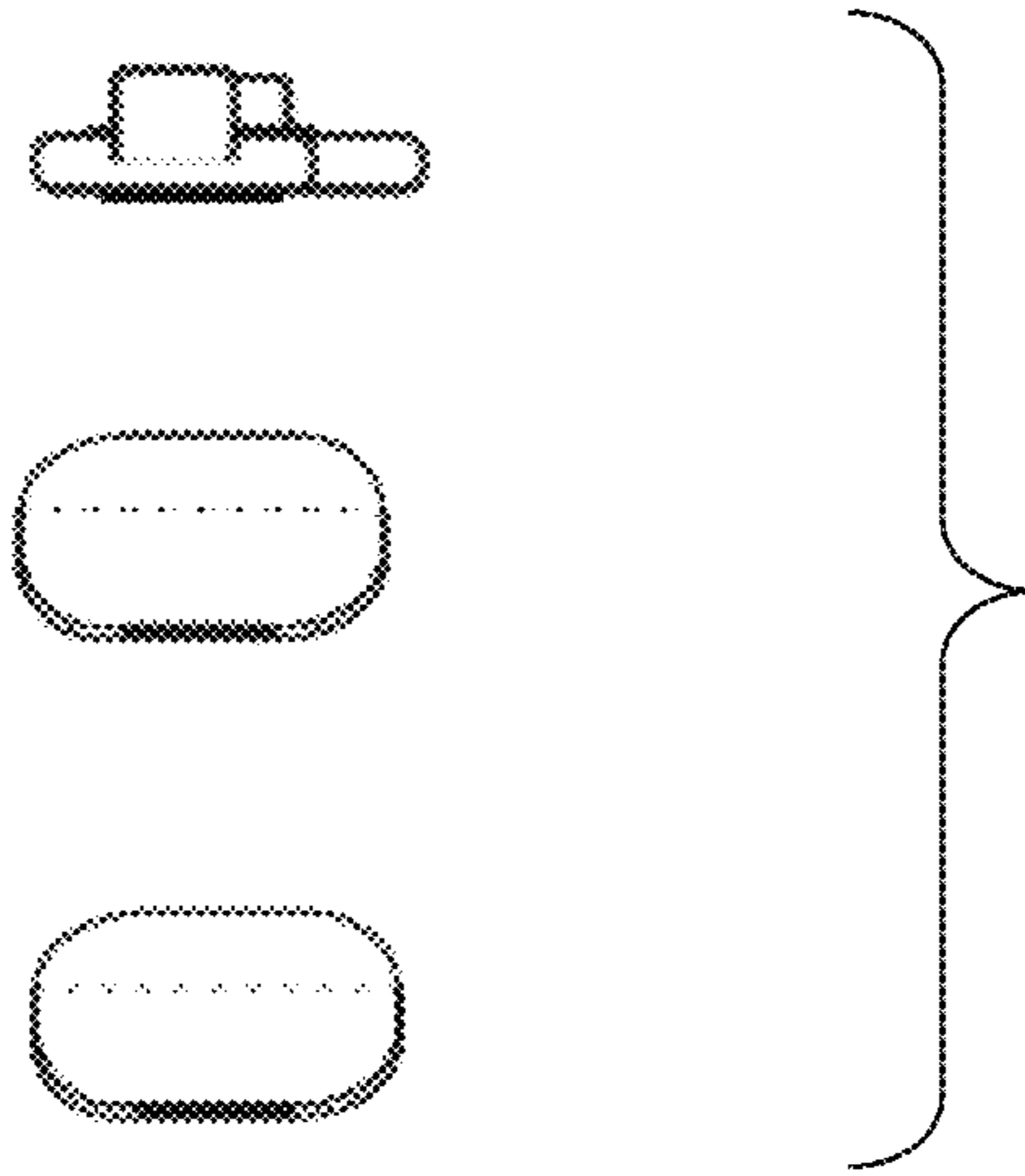


FIG. 7

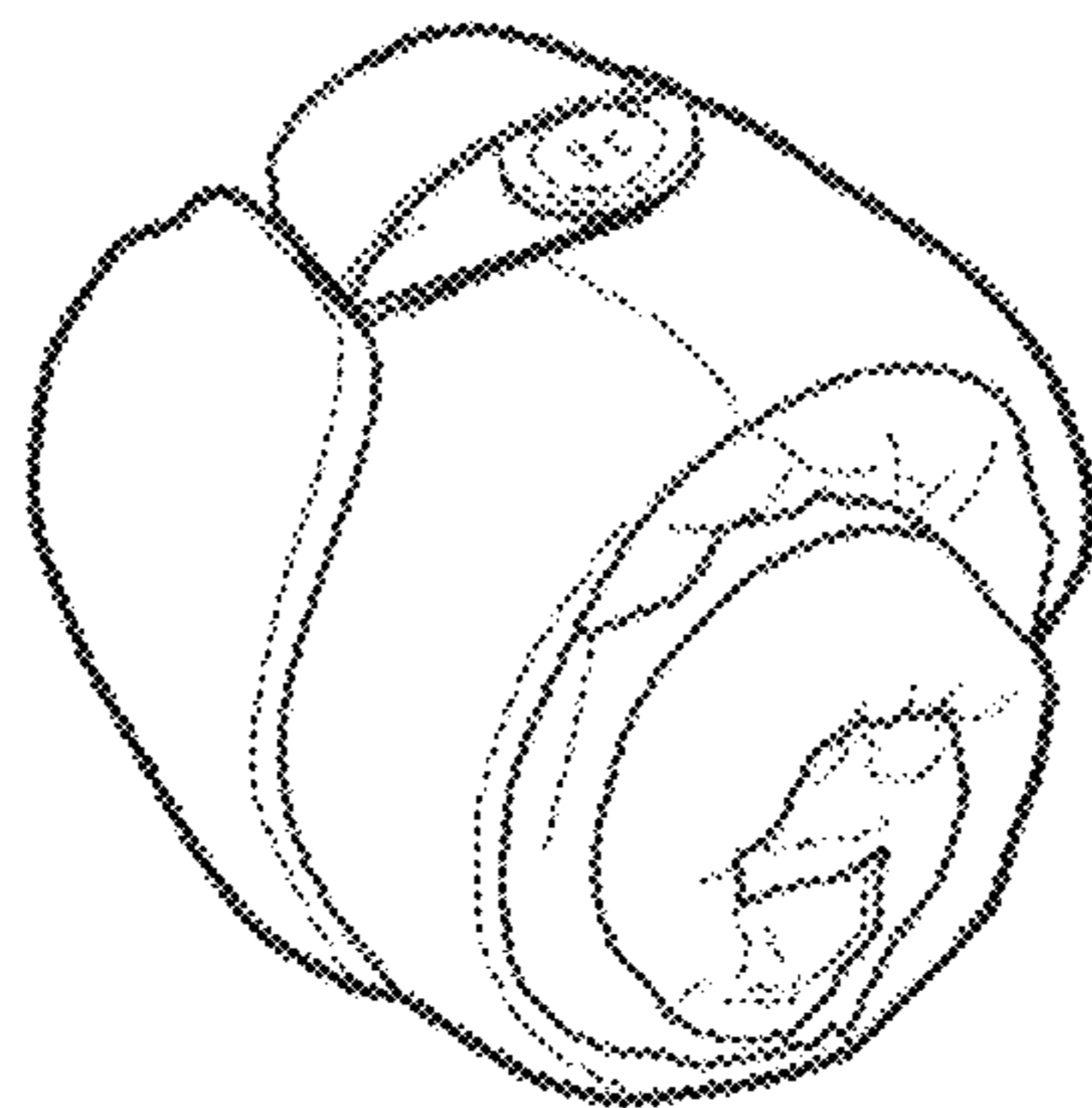


FIG. 8