



US00D913007S

(12) **United States Design Patent**
Shen et al.

(10) **Patent No.:** **US D913,007 S**
(45) **Date of Patent:** **** *Mar. 16, 2021**

(54) **OFFICE CHAIR**

(71) Applicant: **Dongguan ChangYu Furniture Co. Ltd, DongGuan (CN)**

(72) Inventors: **Guicheng Shen, DongGuan (CN); Donglang He, DongGuan (CN)**

(*) Notice: This patent is subject to a terminal disclaimer.

(**) Term: **15 Years**

(21) Appl. No.: **29/639,777**

(22) Filed: **Mar. 8, 2018**

(30) **Foreign Application Priority Data**

Feb. 9, 2018 (CN) 201830064764.6

(51) **LOC (13) Cl.** **06-01**

(52) **U.S. Cl.**
USPC **D6/376**

(58) **Field of Classification Search**
USPC D6/334-336, 361, 368, 373, 374, 375, D6/376, 379, 380, 716, 716.1, 716.2, D6/716.3, 716.4
CPC .. A47C 4/00; A47C 4/04; A47C 4/045; A47C 4/06; A47C 4/18; A47C 4/30; A47C 4/42; A47C 5/04; A47C 5/06; A47C 5/10
See application file for complete search history.

(56) **References Cited**

U.S. PATENT DOCUMENTS

D575,542 S *	8/2008	Igarashi	D6/380
D664,785 S *	8/2012	Fletcher	D6/376
D687,642 S *	8/2013	Hsuan-Chin	D6/376
8,506,008 B2 *	8/2013	Pan	A47C 4/00 297/160
D734,621 S *	7/2015	Su	D6/376
D735,484 S *	8/2015	Lu	D6/368
D740,044 S *	10/2015	Brown	D6/376
D758,088 S *	6/2016	Hurford	D6/376

* cited by examiner

Primary Examiner — Mimoso De

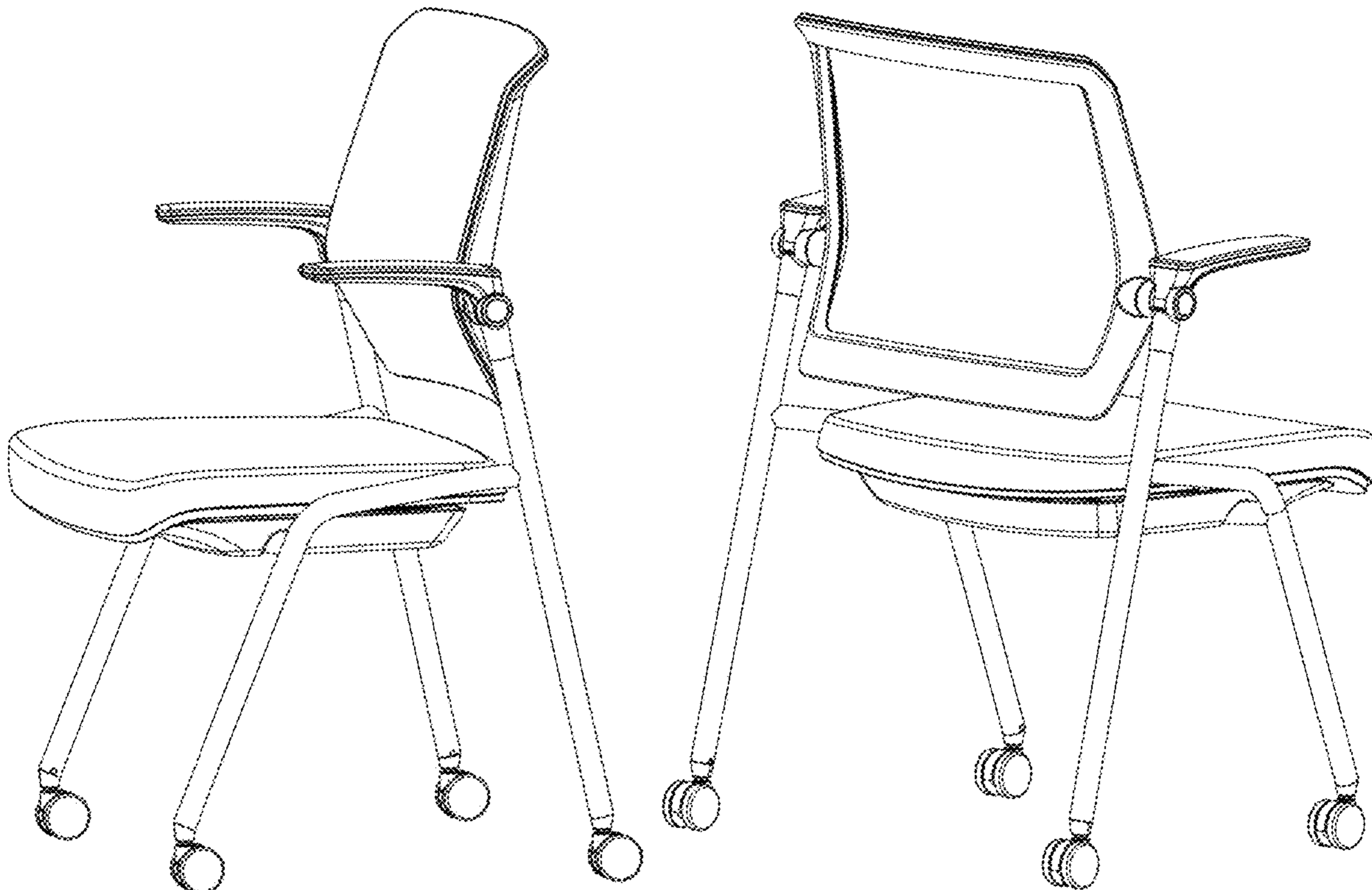
(57) **CLAIM**

We claim the ornamental design for an office chair, as shown and described.

DESCRIPTION

FIG. 1 is a front elevational view;
FIG. 2 is a rear elevational view;
FIG. 3 is a left elevational view;
FIG. 4 is a right elevational view;
FIG. 5 is a top plan view;
FIG. 6 is a bottom plan view;
FIG. 7 is a front perspective view and,
FIG. 8 is a rear perspective view.
The broken lines depict the boundary of an office chair and form no part of the claimed design.

1 Claim, 8 Drawing Sheets



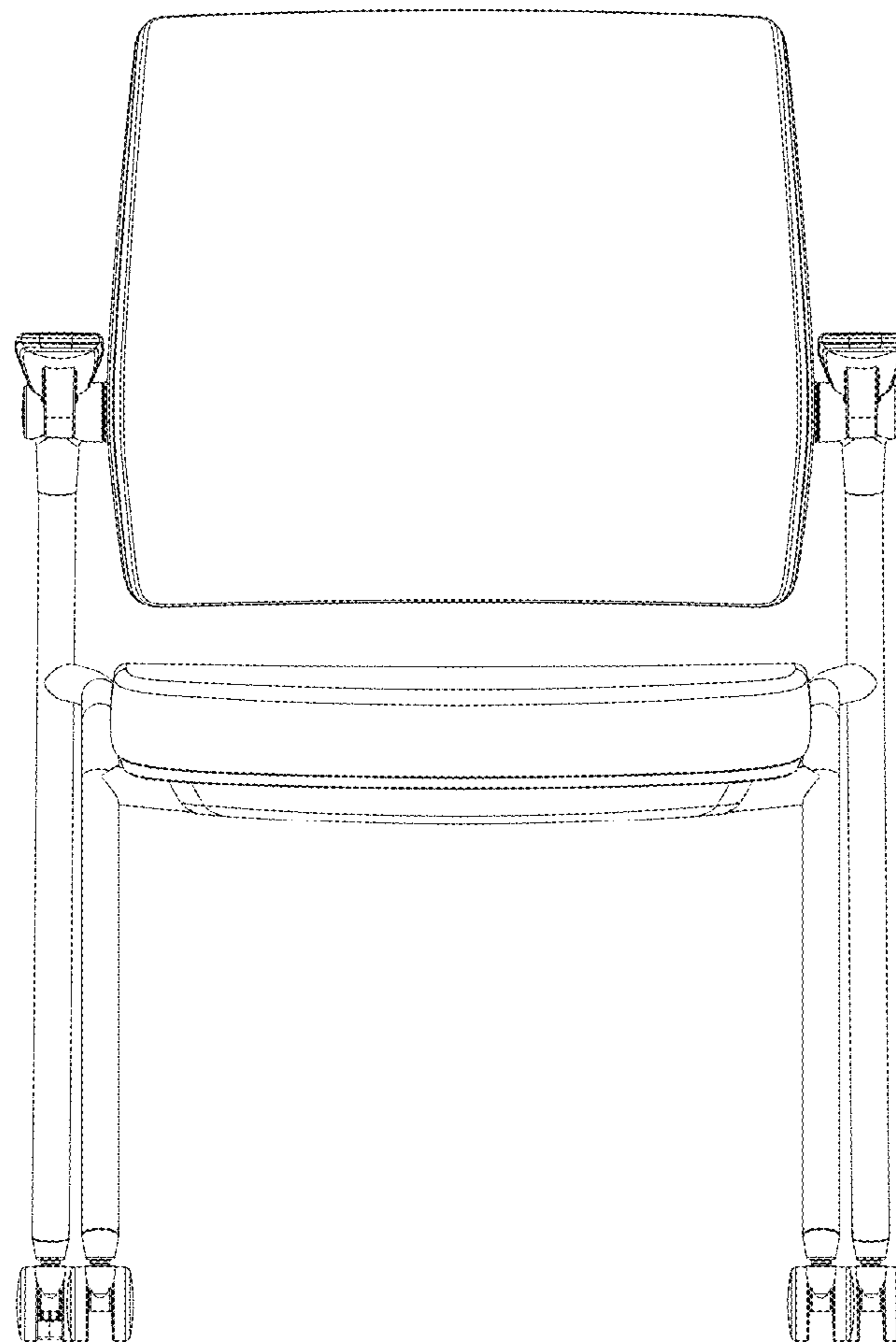


FIG. 1

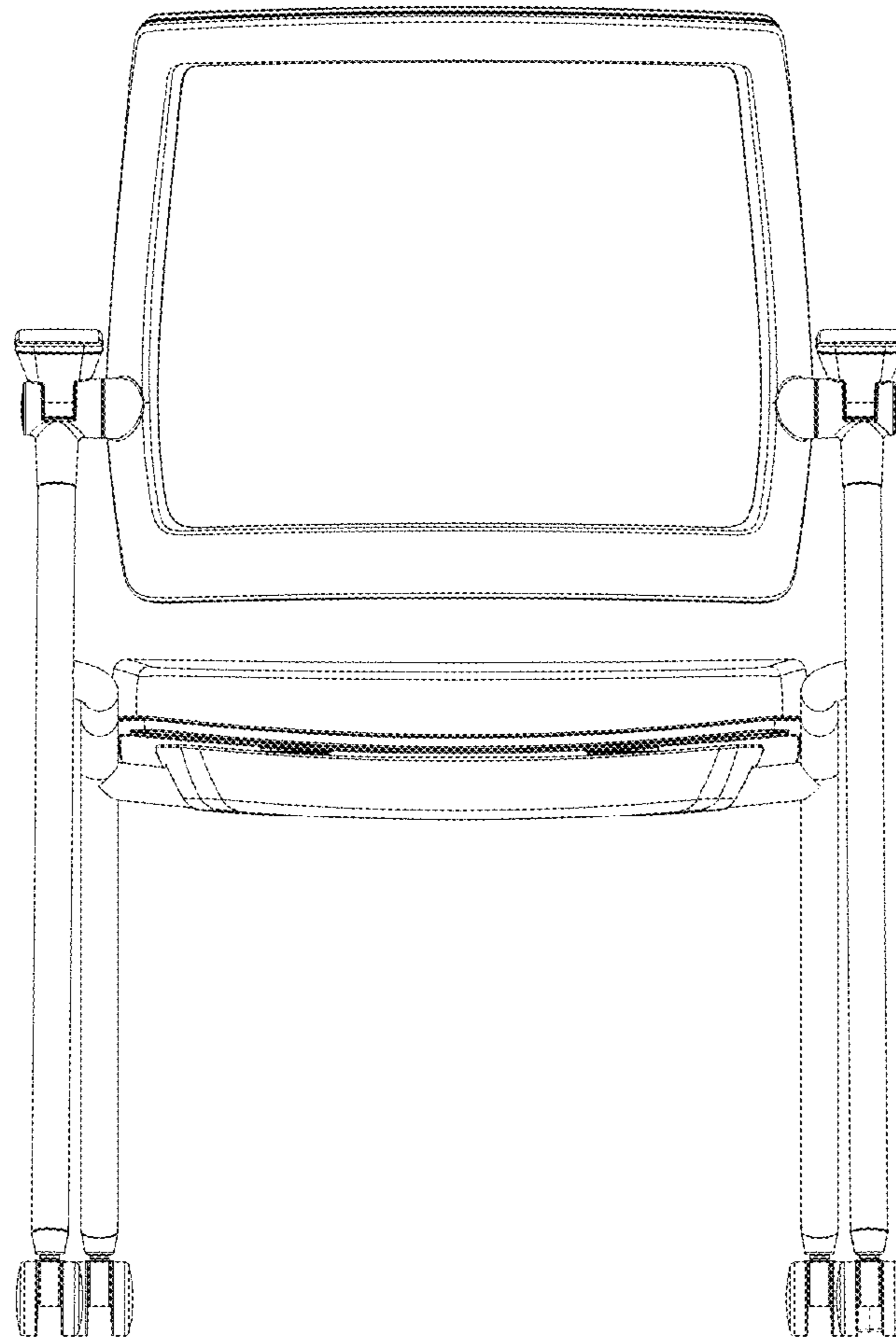


FIG. 2

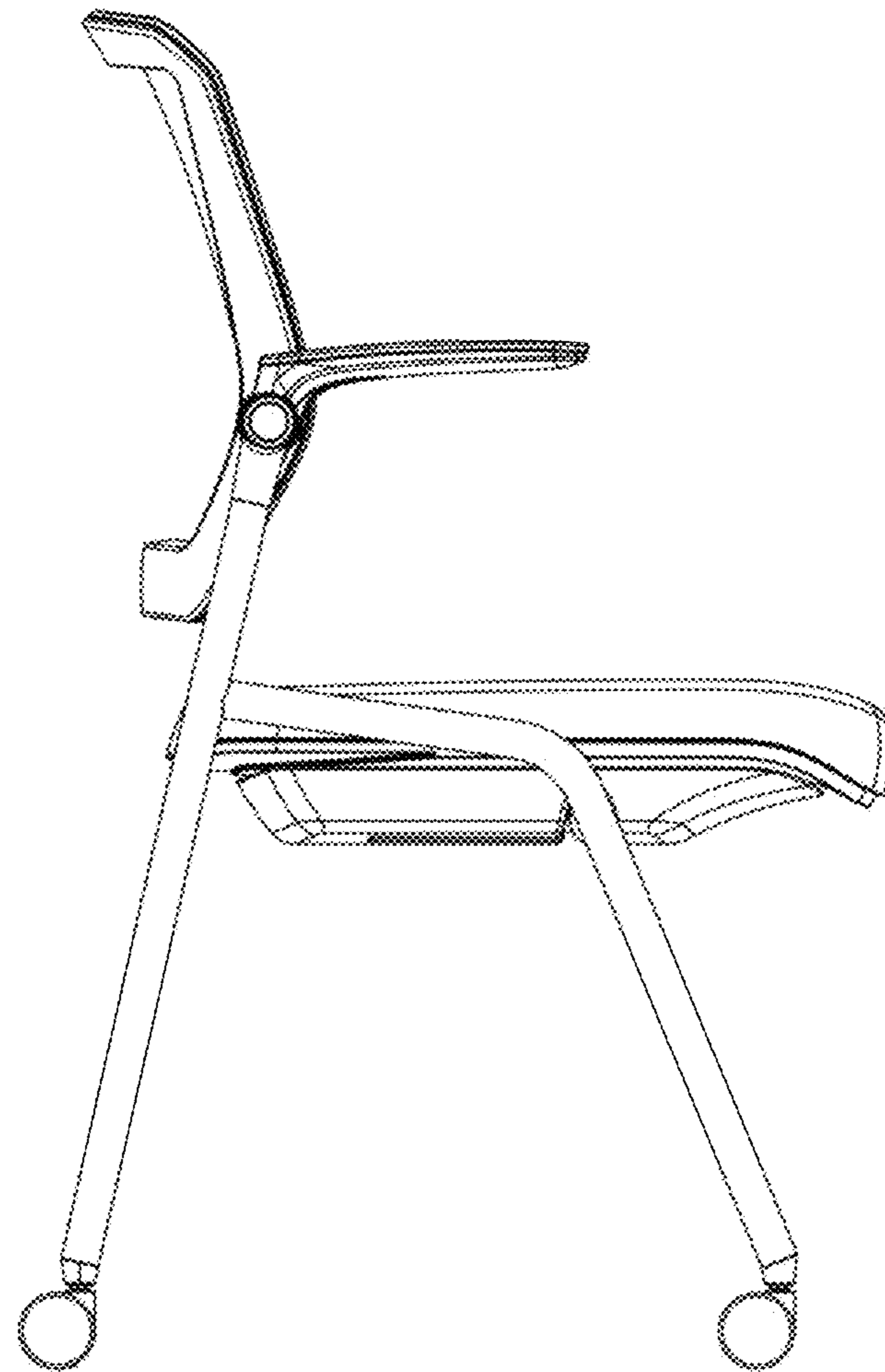
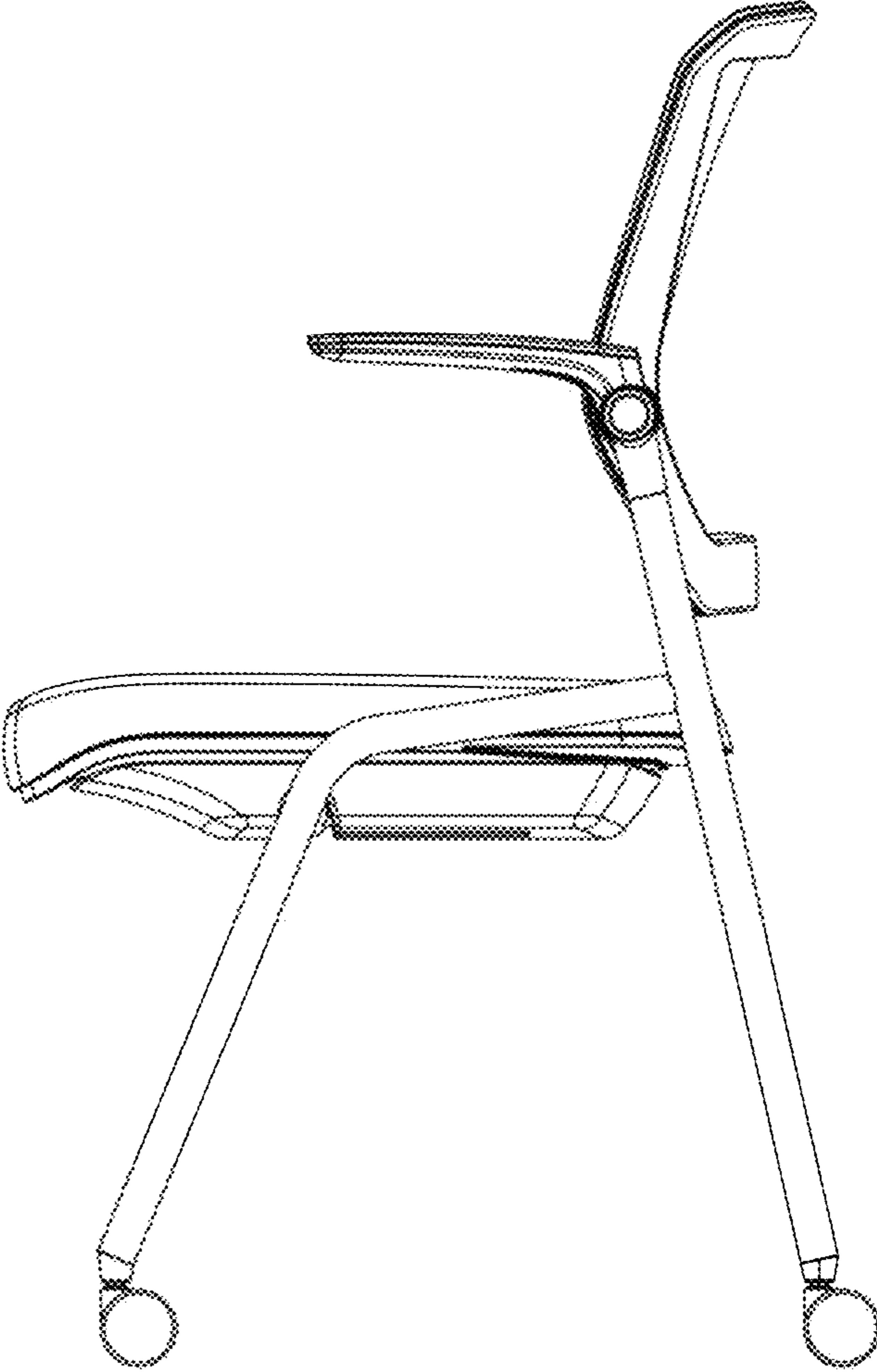


FIG. 3

FIG. 4



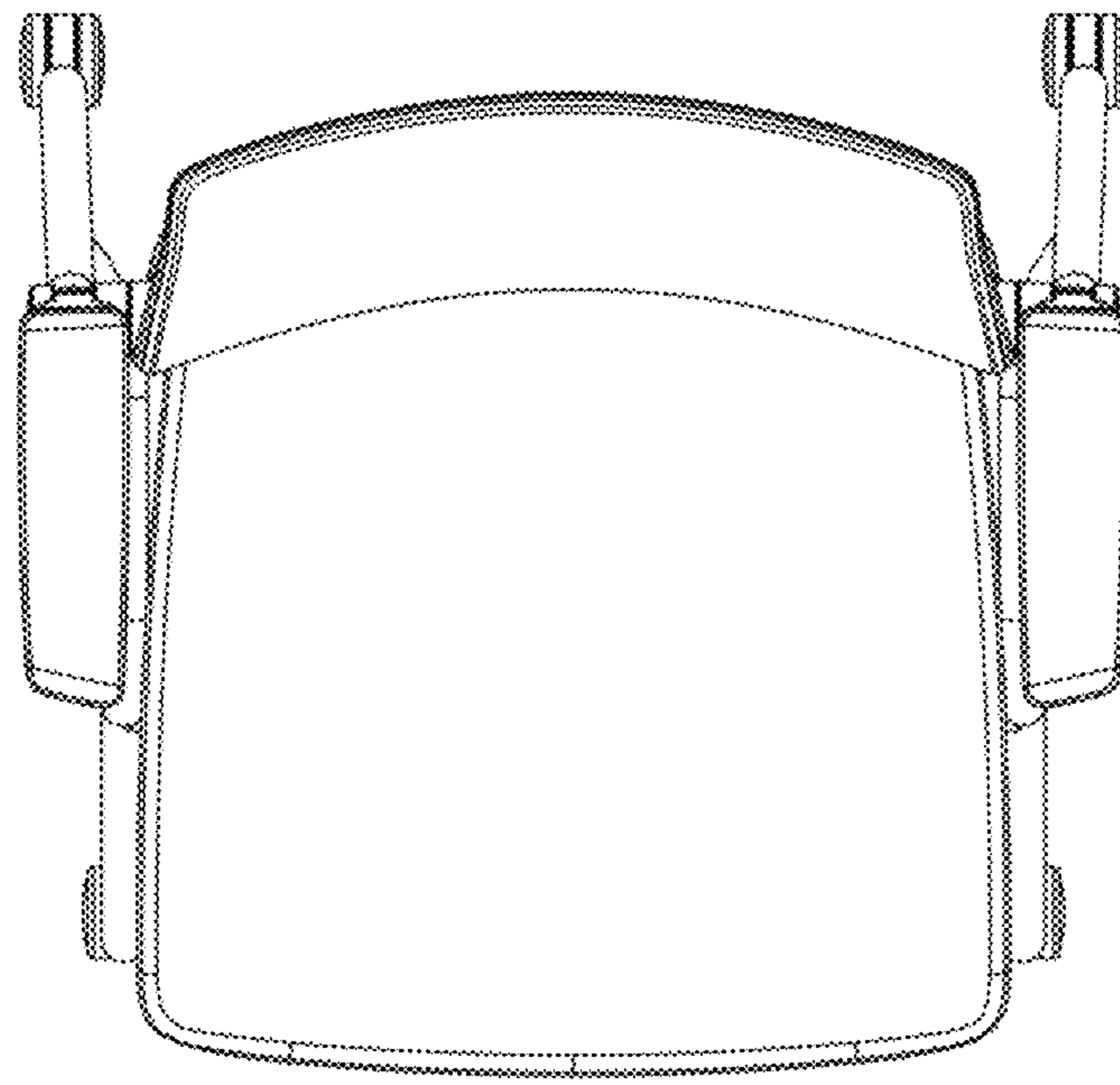


FIG. 5

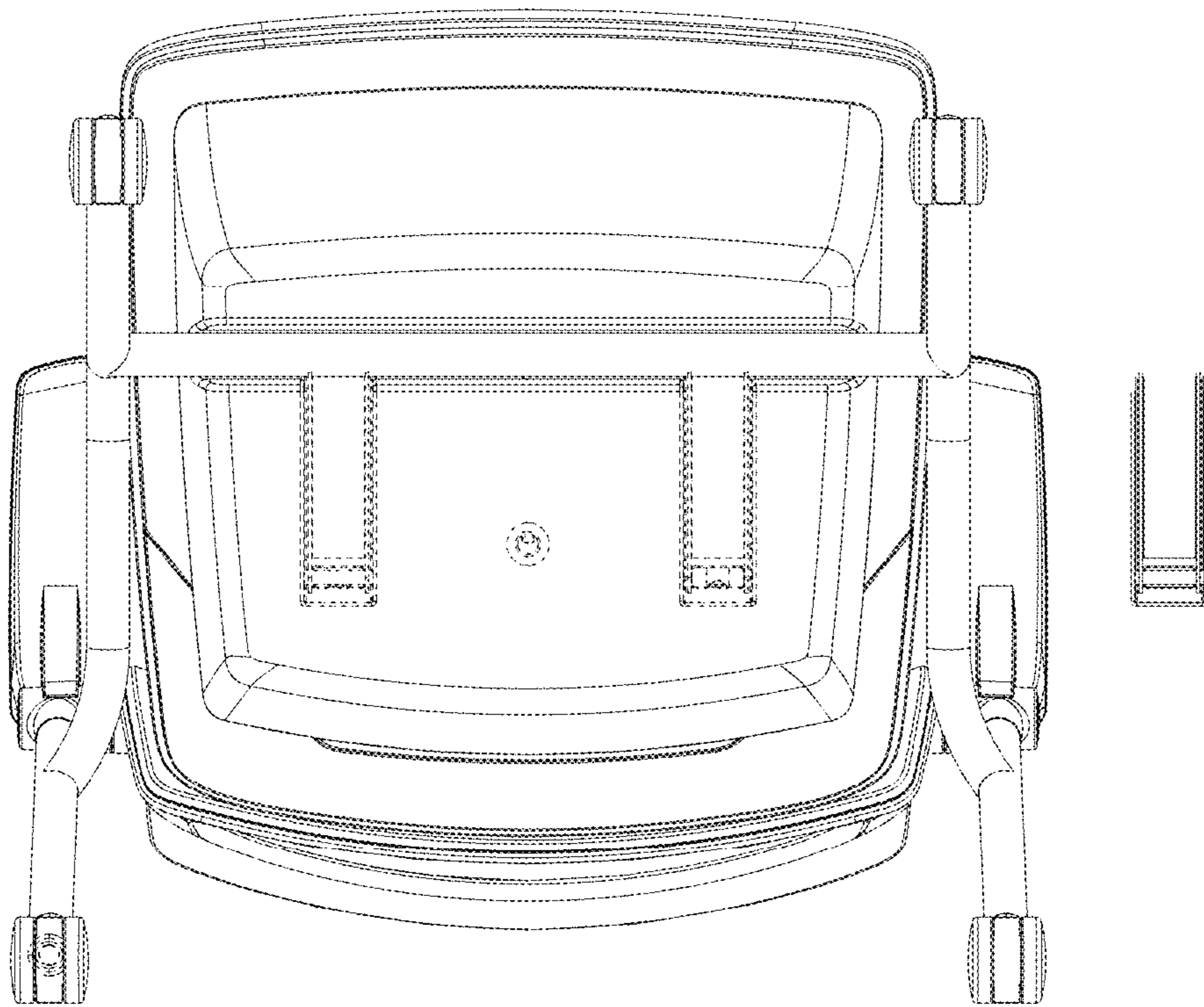


FIG. 6

FIG. 7





FIG. 8