



US00D913005S

(12) **United States Design Patent**
Egger

(10) **Patent No.:** **US D913,005 S**
(45) **Date of Patent:** **** Mar. 16, 2021**

(54) **OFFICE CHAIR**

- (71) Applicant: **BLUMENTHAL DISTRIBUTING, INC.**, Ontario, CA (US)
- (72) Inventor: **Julien Egger**, Ontario, CA (US)
- (73) Assignee: **Blumenthal Distributing, Inc.**, Ontario, CA (US)
- (**) Term: **15 Years**
- (21) Appl. No.: **29/653,963**
- (22) Filed: **Jun. 20, 2018**

- (51) **LOC (13) Cl.** **06-01**
- (52) **U.S. Cl.**
USPC **D6/374; D6/364**
- (58) **Field of Classification Search**
USPC D6/334, 335, 349, 353, 354, 356, 360,
D6/361, 362, 364, 365, 366, 371, 374,
D6/375, 377, 379, 380, 381
CPC A47C 4/02; A47C 4/04; A47C 4/52; A47C
11/00; A47C 15/002; A47C 1/00; A47C
1/03; A47C 7/002
See application file for complete search history.

(56) **References Cited**

U.S. PATENT DOCUMENTS

D203,589 S *	2/1966	Melchior	D6/375
D240,375 S *	7/1976	Buhk	D6/366
D263,262 S *	3/1982	Thygesen	D6/373
D287,437 S *	12/1986	Frinier	D6/370
D353,268 S *	12/1994	Ambasz	D6/366
D373,695 S *	9/1996	Buffon	D6/366
D409,022 S *	5/1999	Vanderwood	D6/366
D474,051 S *	5/2003	Tseng	D6/366
D474,052 S *	5/2003	True	D6/366
D484,711 S *	1/2004	Getzel	D6/366

(Continued)

OTHER PUBLICATIONS

2012 Eames Herman Miller 2012, found on Mar. 12, 2020 at https://www.ebay.com/itm/2012-Eames-Herman-Miller-Aluminum-Group-Management-Desk-Chair-25x-Avail-White/164050245609?_trkparms=aid%3D1110002%26algo%3DSPLICE.SOI%26ao%3D1%26asc%3D20200116171858%26meid%3De0fb0d95746d4ab (Year: 2012).*

(Continued)

Primary Examiner — Karen S Acker

(74) *Attorney, Agent, or Firm* — Lewis Roca Rothgerber Christie LLP

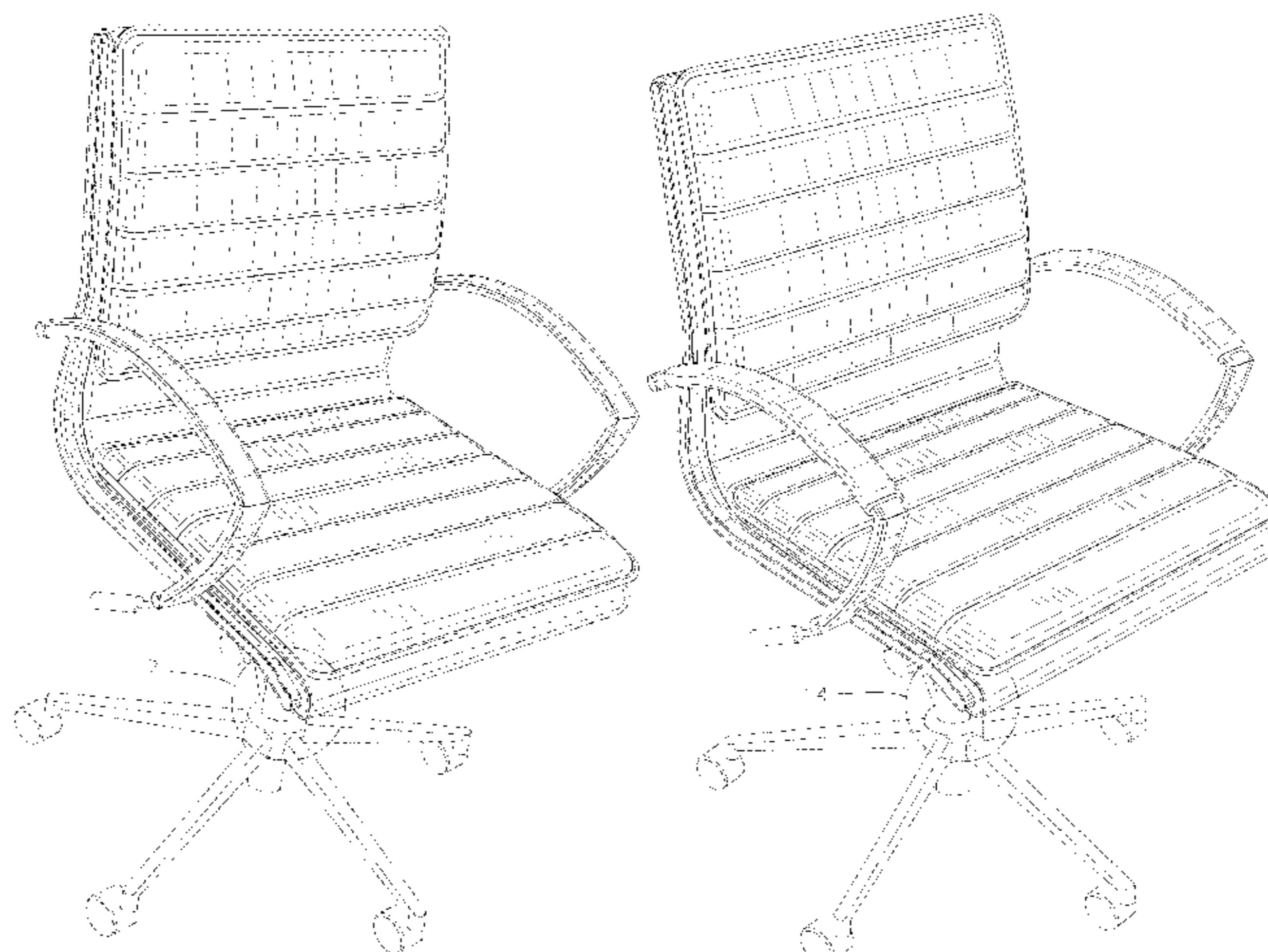
(57) **CLAIM**

The ornamental design for an office chair, as shown and described.

DESCRIPTION

FIG. 1 is a perspective view of a first embodiment of an office chair;
 FIG. 2 is a front view of the first embodiment;
 FIG. 3 is first side view of the first embodiment;
 FIG. 4 is a rear view of the first embodiment;
 FIG. 5 is a second side view of the first embodiment;
 FIG. 6 is a top view of the first embodiment;
 FIG. 7 is an enlarged detail view of area 7 circumscribed within FIG. 1
 FIG. 8 is perspective view of a second embodiment of an office chair;
 FIG. 9 is a front view of the second embodiment;
 FIG. 10 is a first side view of the second embodiment;
 FIG. 11 is a back view of the second embodiment;
 FIG. 12 is a second side view of the second embodiment;
 FIG. 13 is a top view of the second embodiment; and,
 FIG. 14 is an enlarged detail view of area 14 circumscribed within FIG. 8.
 The evenly spaced broken lines and unshaded areas in the drawings depict portions of the office chair that form no part of the claimed design. The dot dash dot broken lines within FIGS. 1 and 8 and surrounding FIGS. 7 and 14 denote the boundaries of the enlarged details and form no part of the claimed design.

1 Claim, 14 Drawing Sheets



(56)

References Cited

U.S. PATENT DOCUMENTS

D496,535	S *	9/2004	Goodworth	A47C 1/03277	
					D6/366
D535,841	S *	1/2007	Egger		D6/716
D597,331	S *	8/2009	Neil		D6/366
D611,276	S *	3/2010	Kubryk		D6/366
D612,175	S *	3/2010	Kubryk		D6/366
D622,985	S *	9/2010	Kubryk		D6/716
D622,987	S *	9/2010	Kubryk		D6/716
D648,552	S *	11/2011	Izawa		D6/366
D655,538	S *	3/2012	Kubryk		D6/366
D655,539	S *	3/2012	Kubryk		D6/366
D657,581	S *	4/2012	Lievore		D6/366
D683,170	S *	5/2013	Kubryk		D6/366
D697,746	S *	1/2014	Kubryk		D6/716
D737,617	S *	9/2015	Bellin		D6/375
10,194,750	B2 *	2/2019	Ludwig	A47C 1/03277	

OTHER PUBLICATIONS

BREXPERT Swivel Mid Back Armless Task Chair, Nov. 19, 2017, found on Mar. 12, 2020 at https://www.amazon.com/dp/B072JJ244Q/ref=sbl_dp_x_B07MNYTYQL_0 (Year: 2017).*

Amazon Realspace Winsley Mid-Back Chair, Jan. 28, 2017, found on Mar. 12, 2020 at <https://www.amazon.com/Realspace-Winsley-Mid-Back-Chair-Black/dp/B01N6PGHFE> (Year: 2017).*

Office Star Products List Pricer Jun. 2015, 7 pages, Jun. 2015.

Herman Miller Eames Aluminum Group Brochure, 6 pages, 2015.

Chair images, 25 pages, Dec. 15, 2013.

* cited by examiner

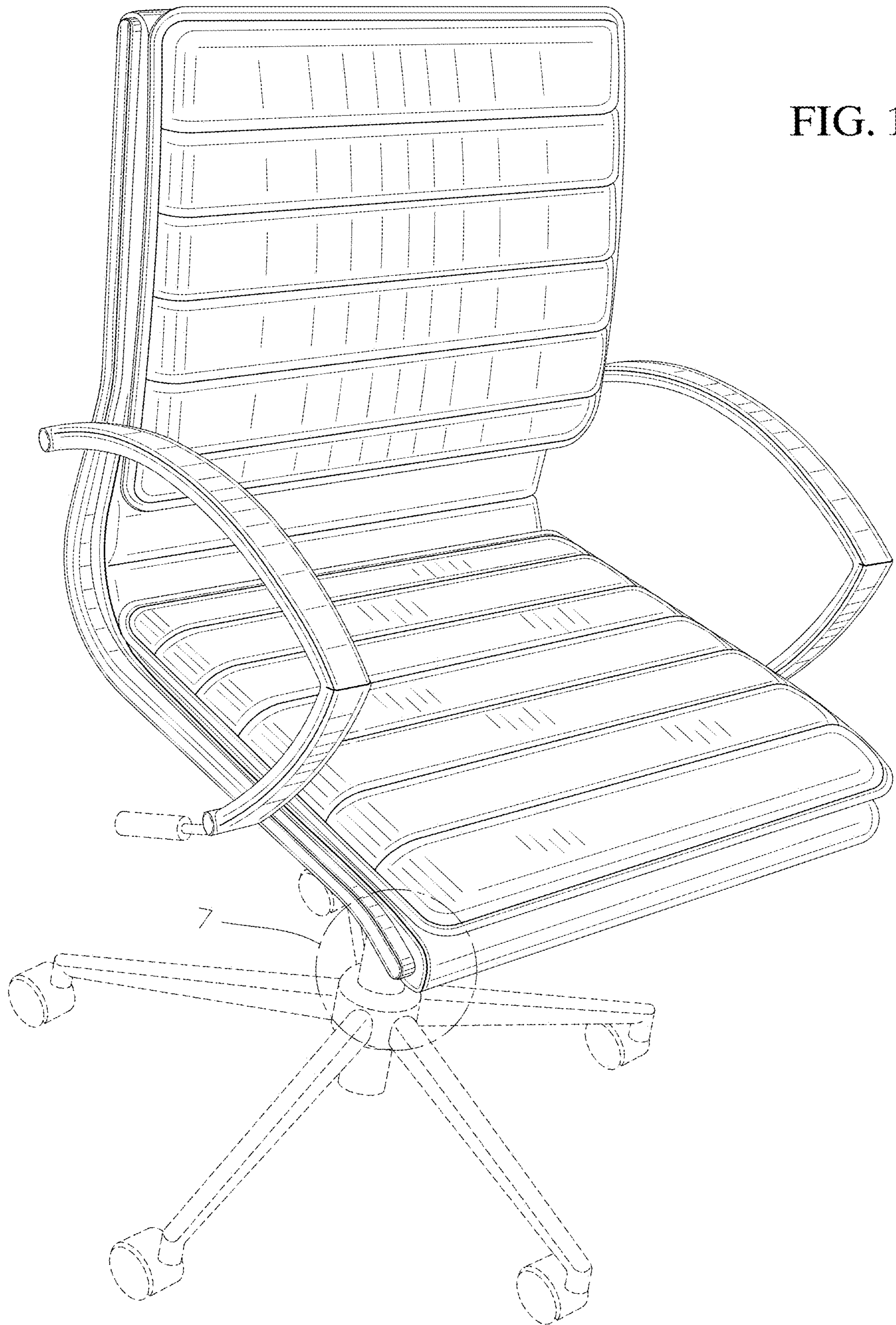


FIG. 1

FIG. 2

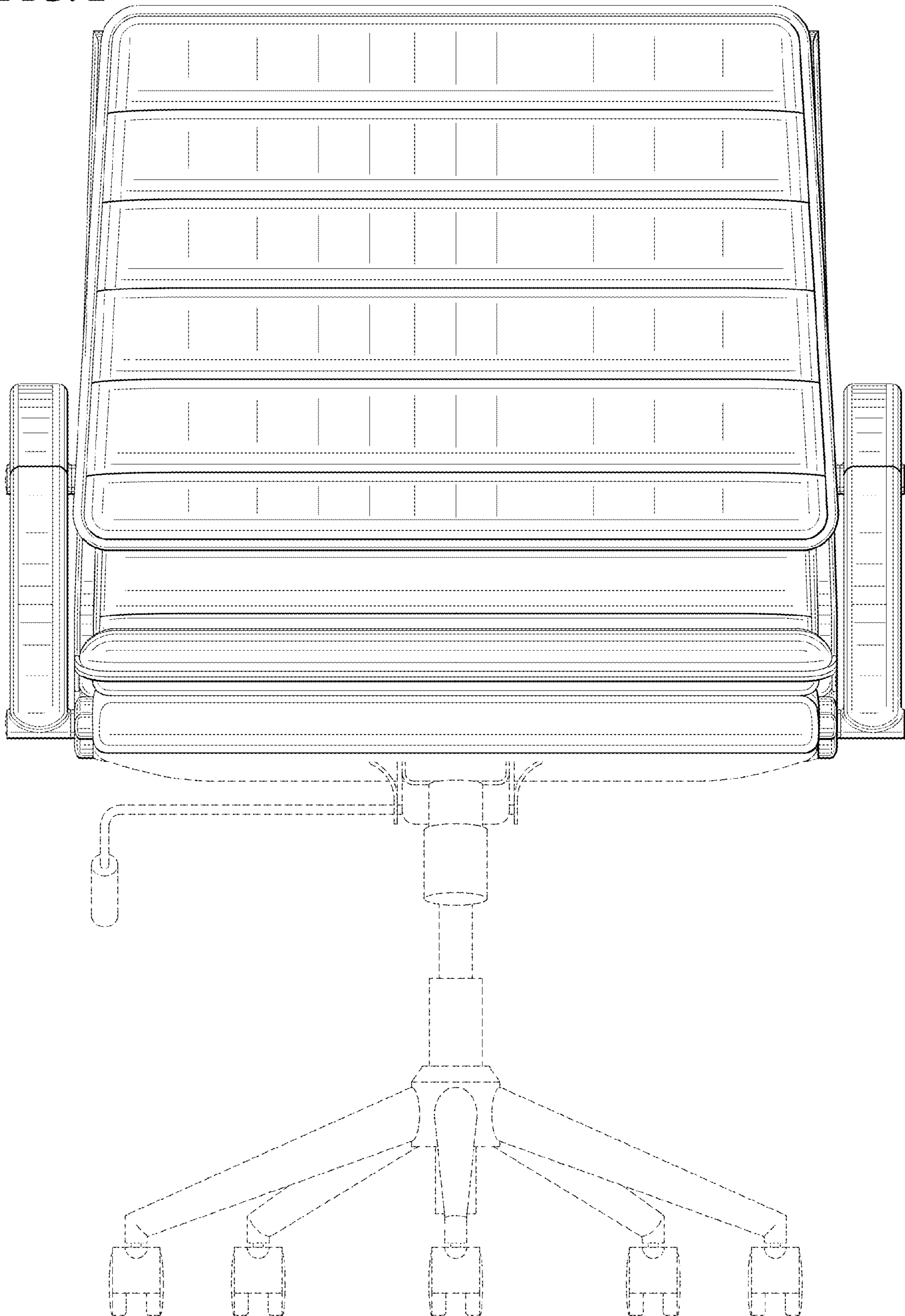


FIG. 3

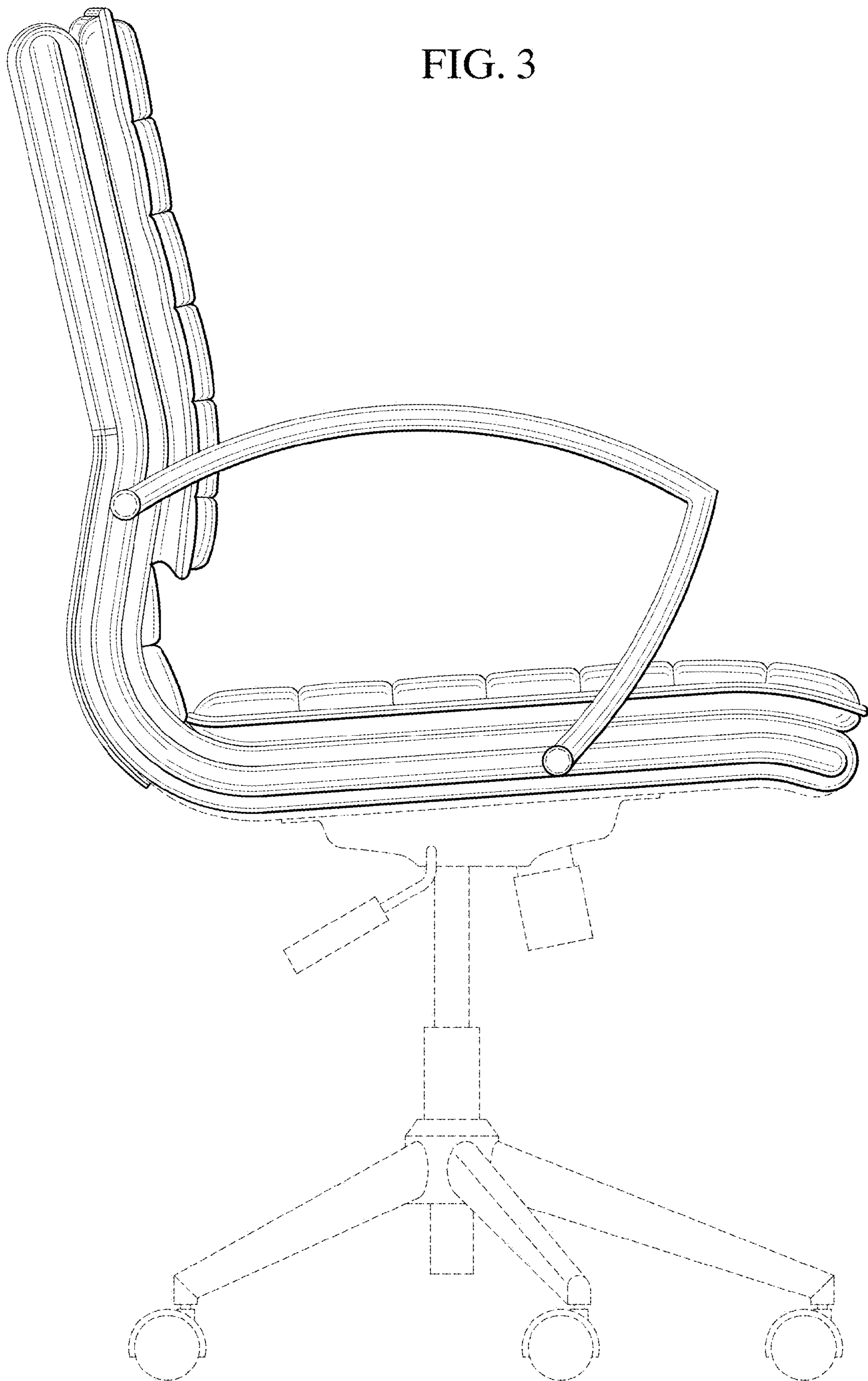


FIG. 4

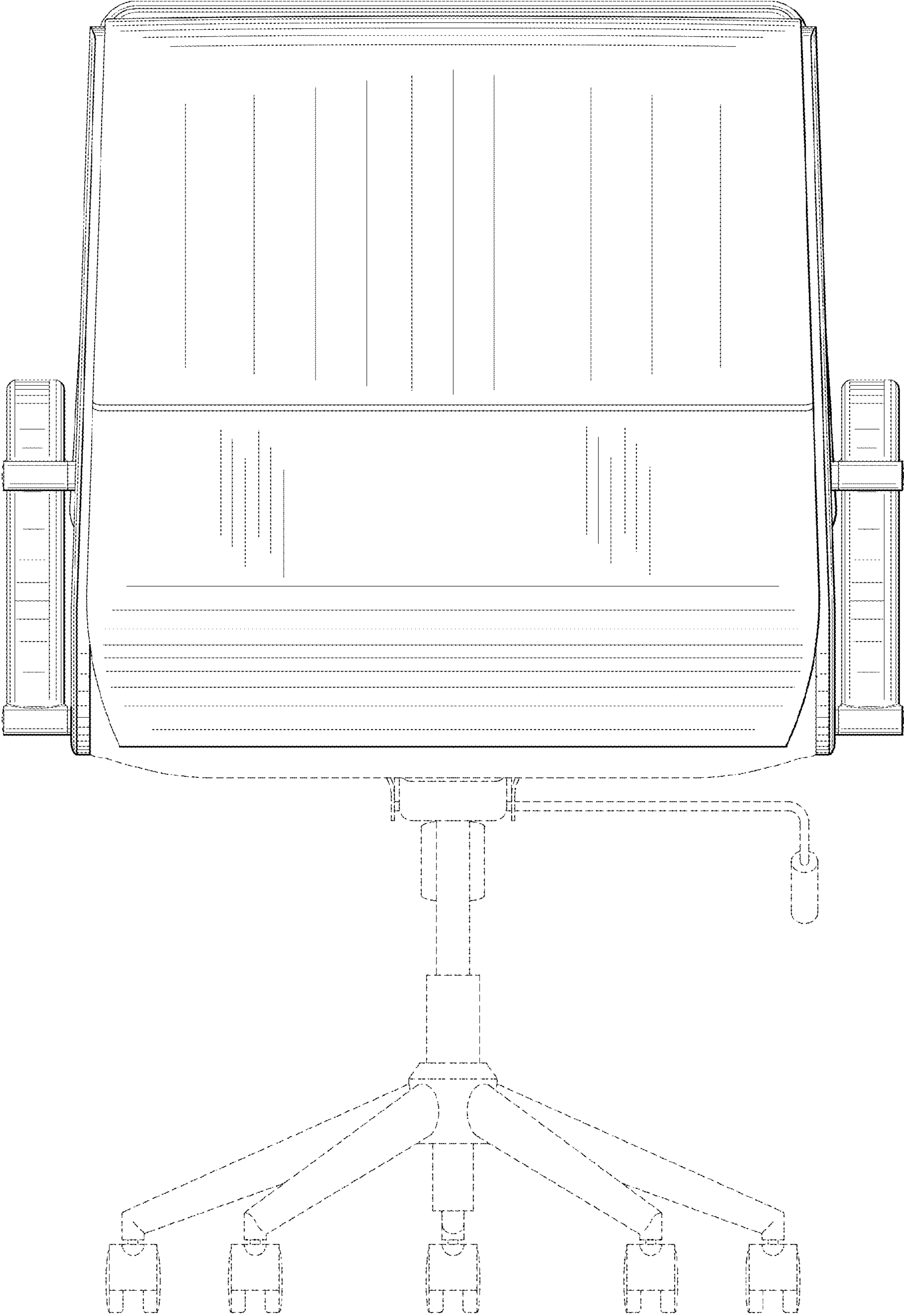


FIG. 5

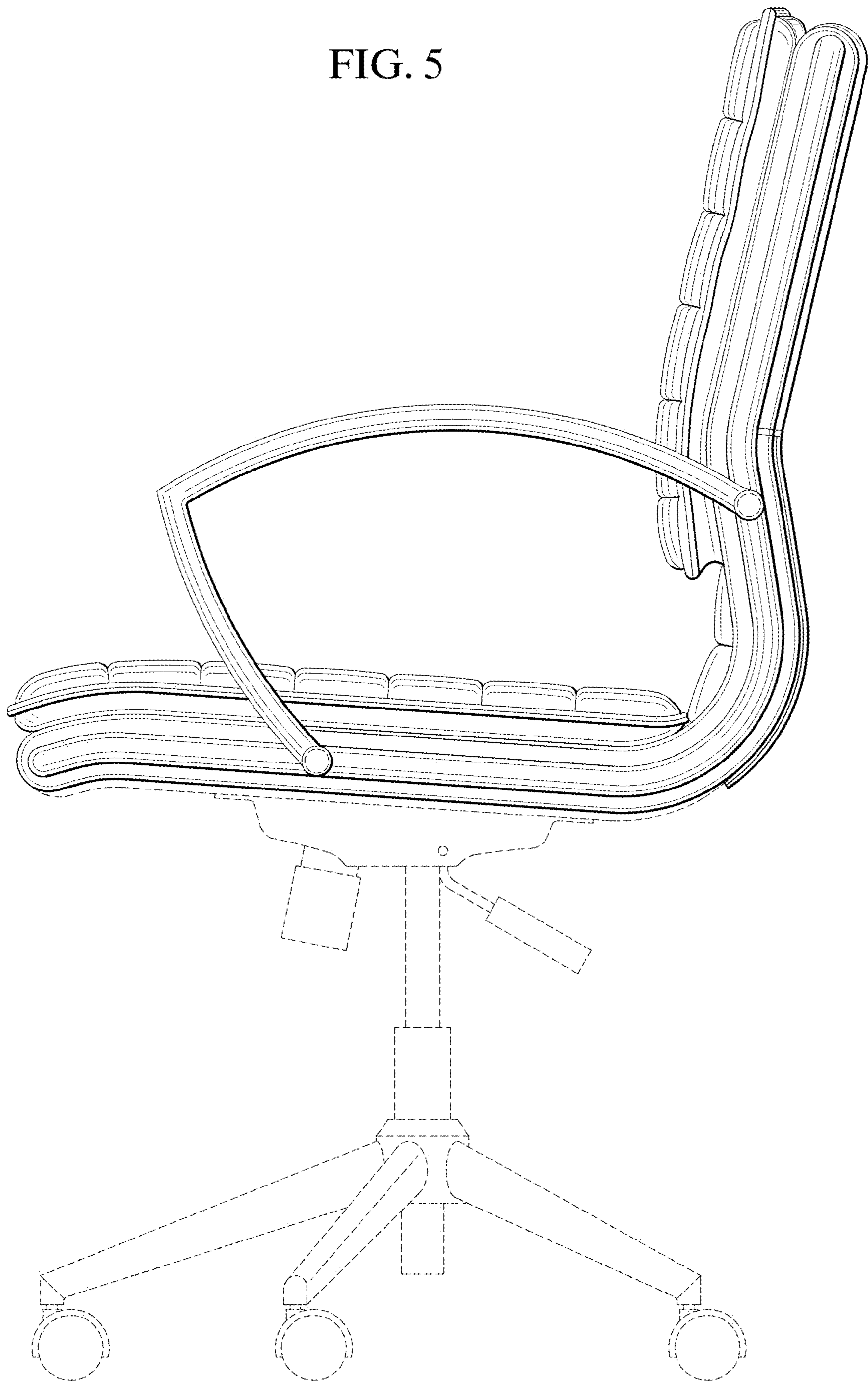


FIG. 6

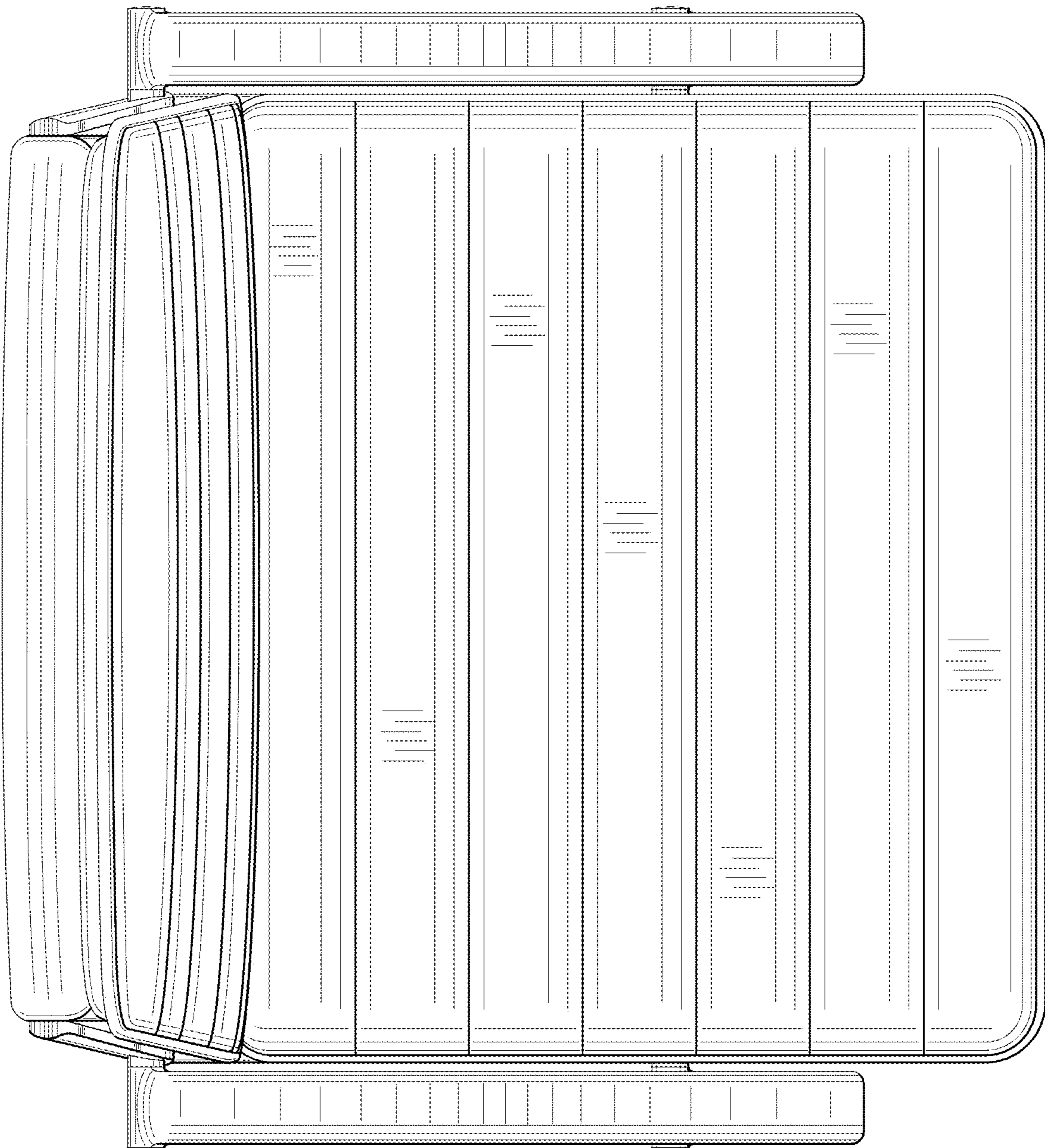
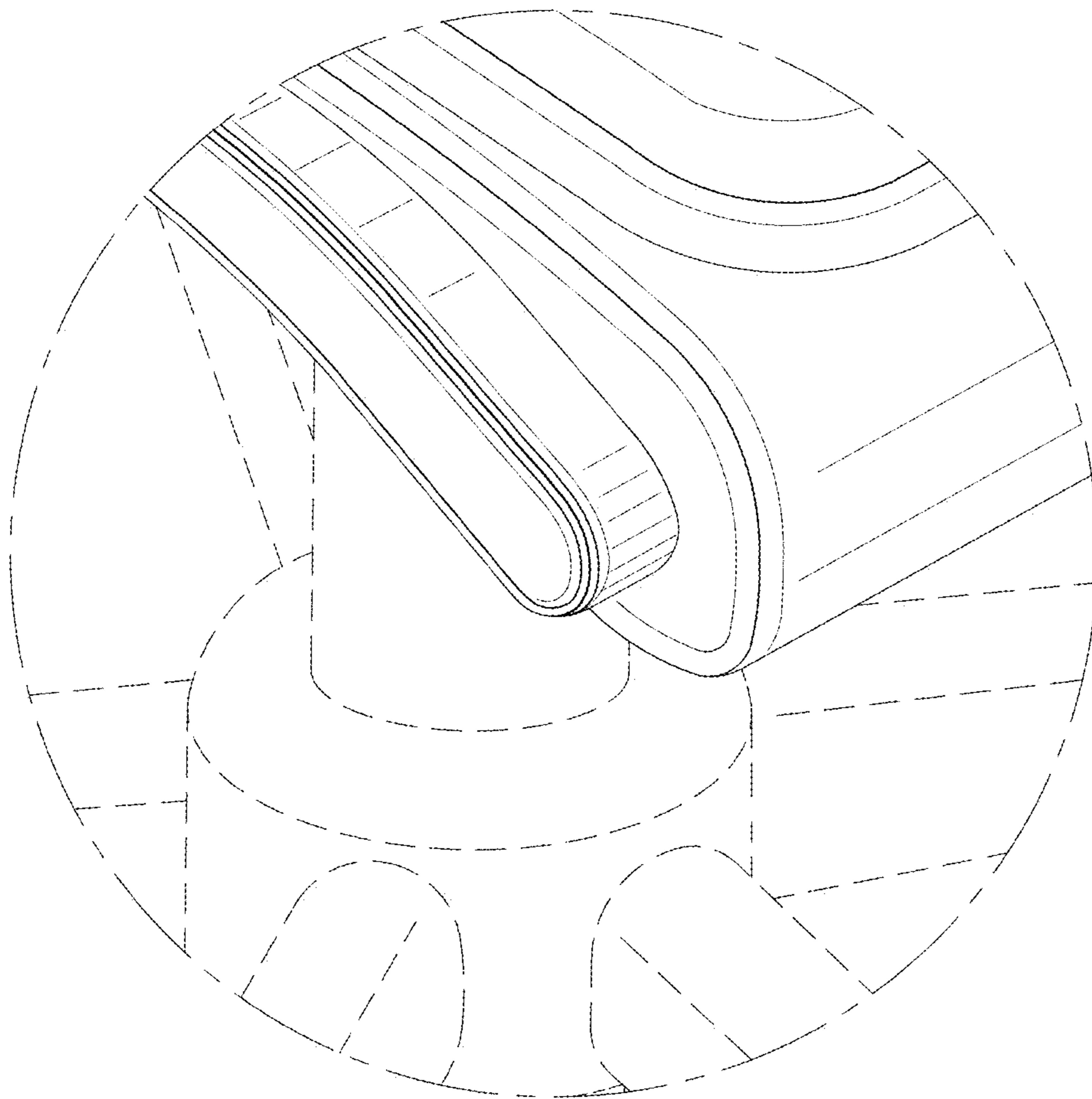


FIG. 7



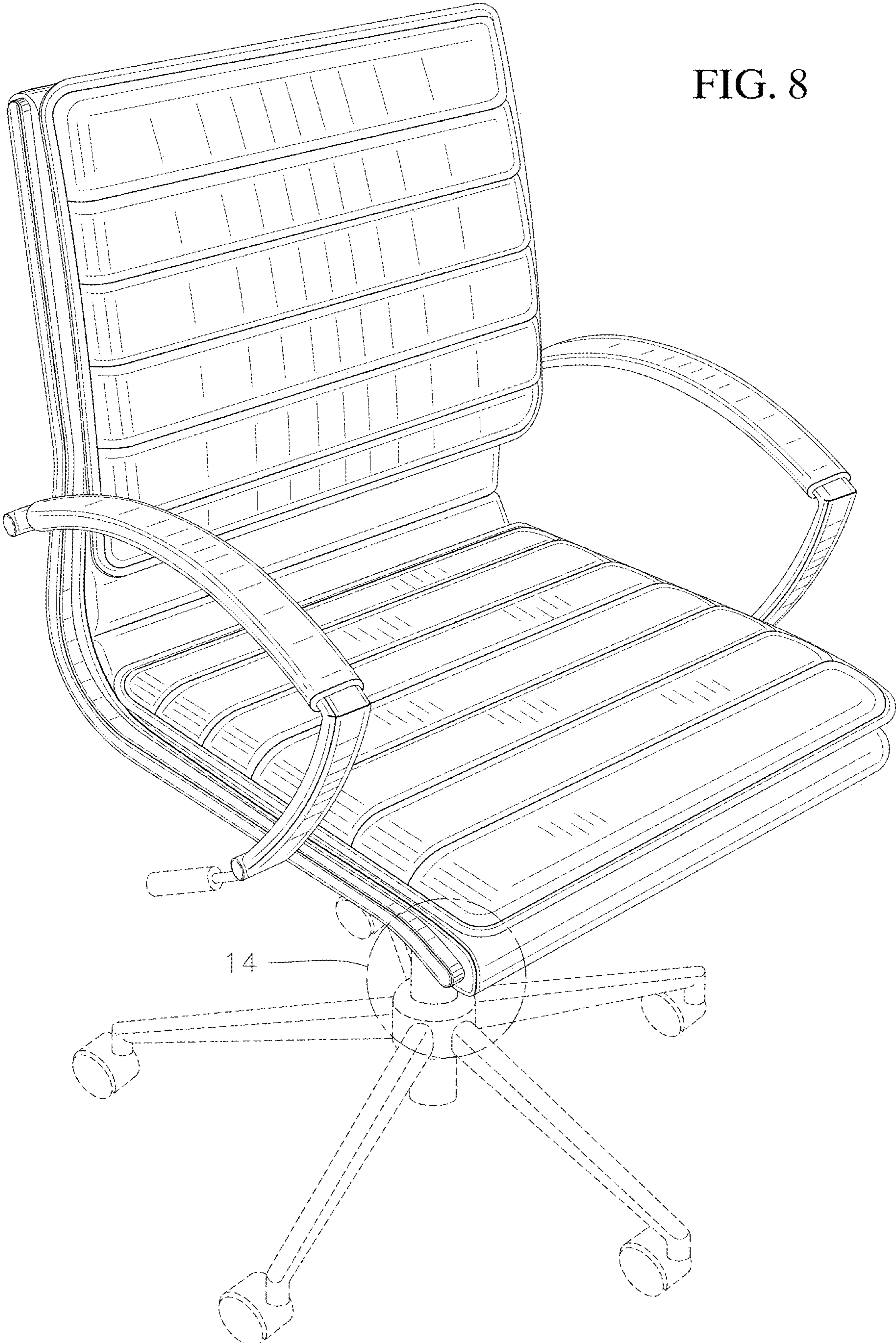


FIG. 8

FIG. 9

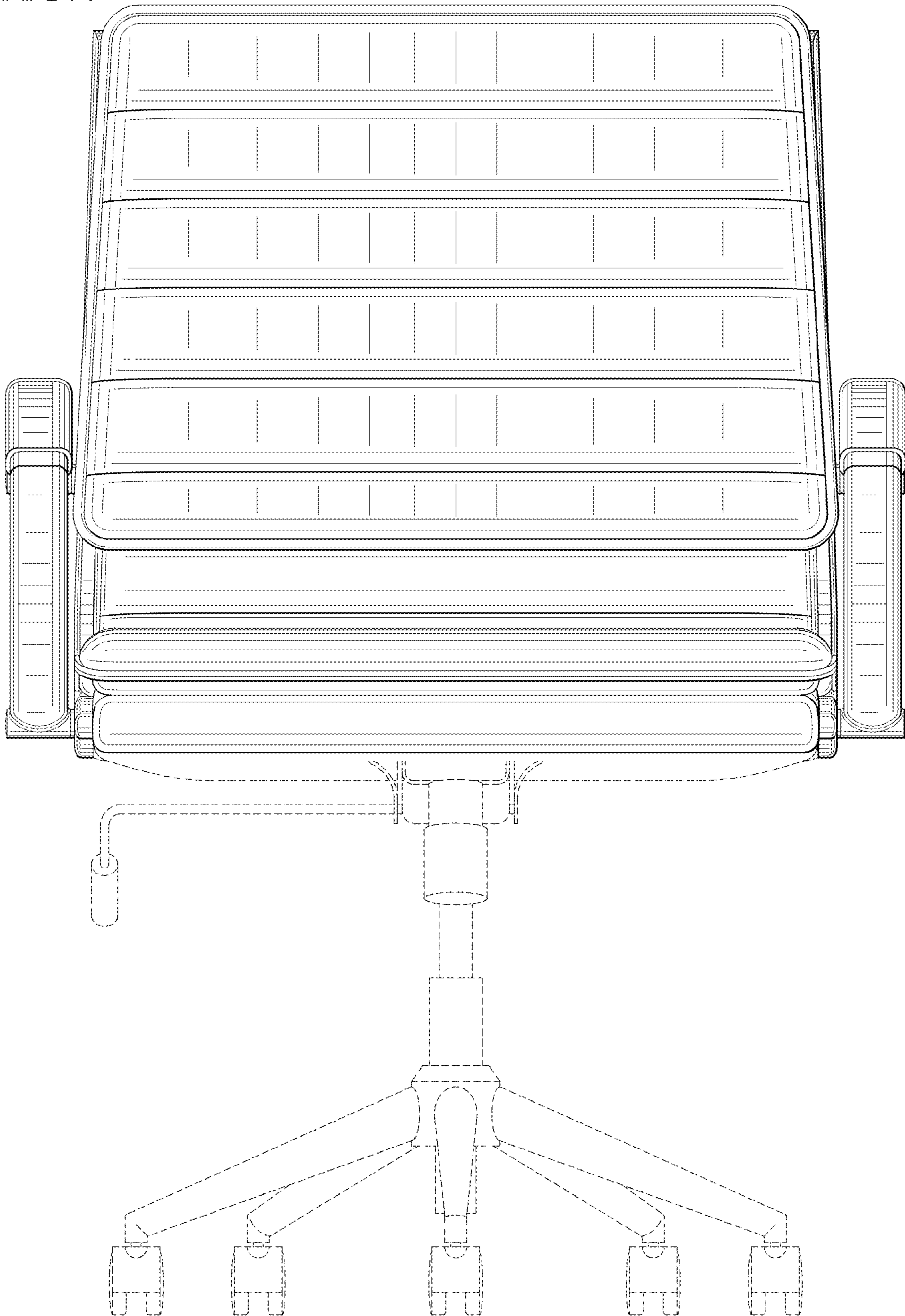


FIG. 10

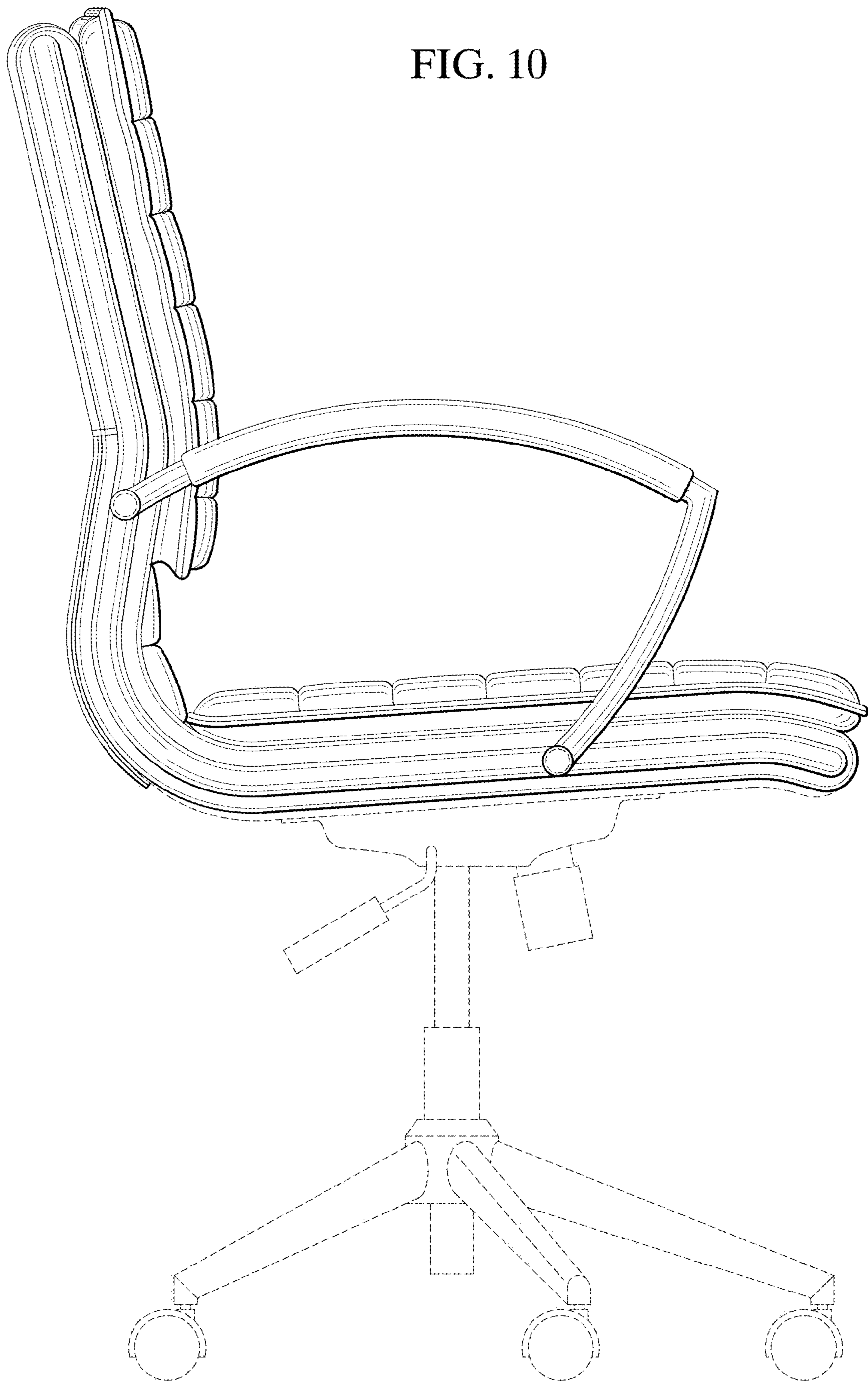


FIG. 11

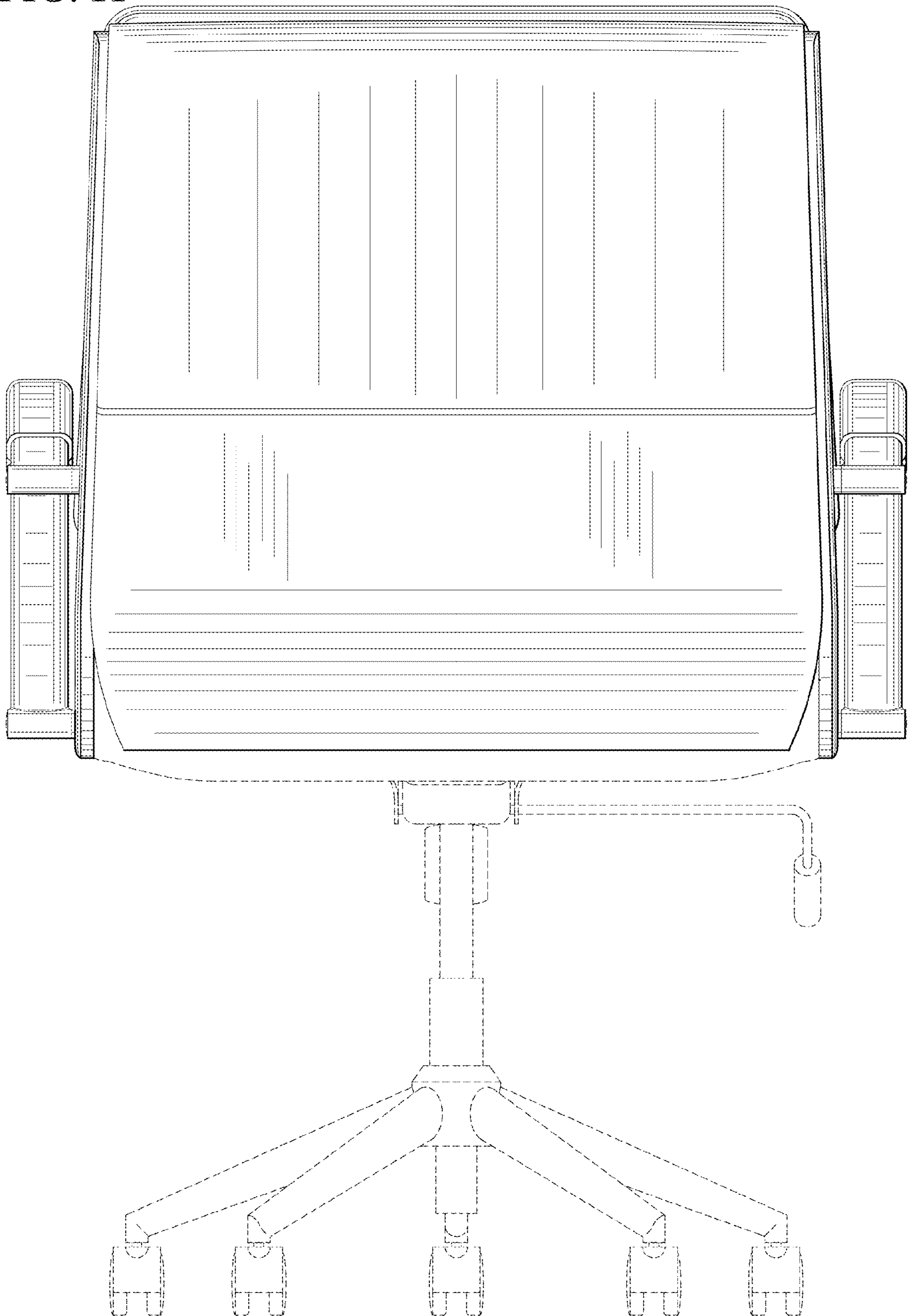


FIG. 12

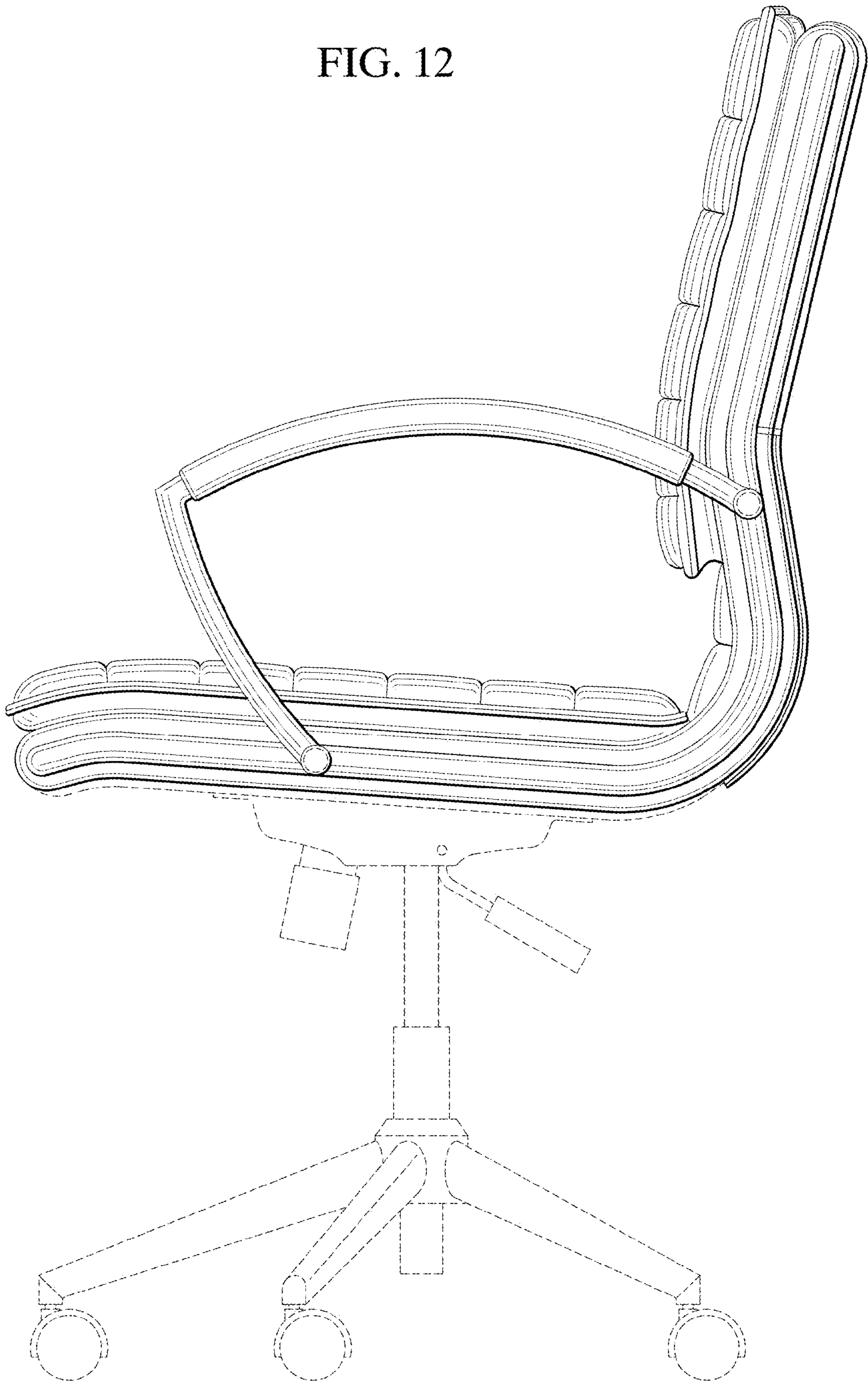


FIG. 13

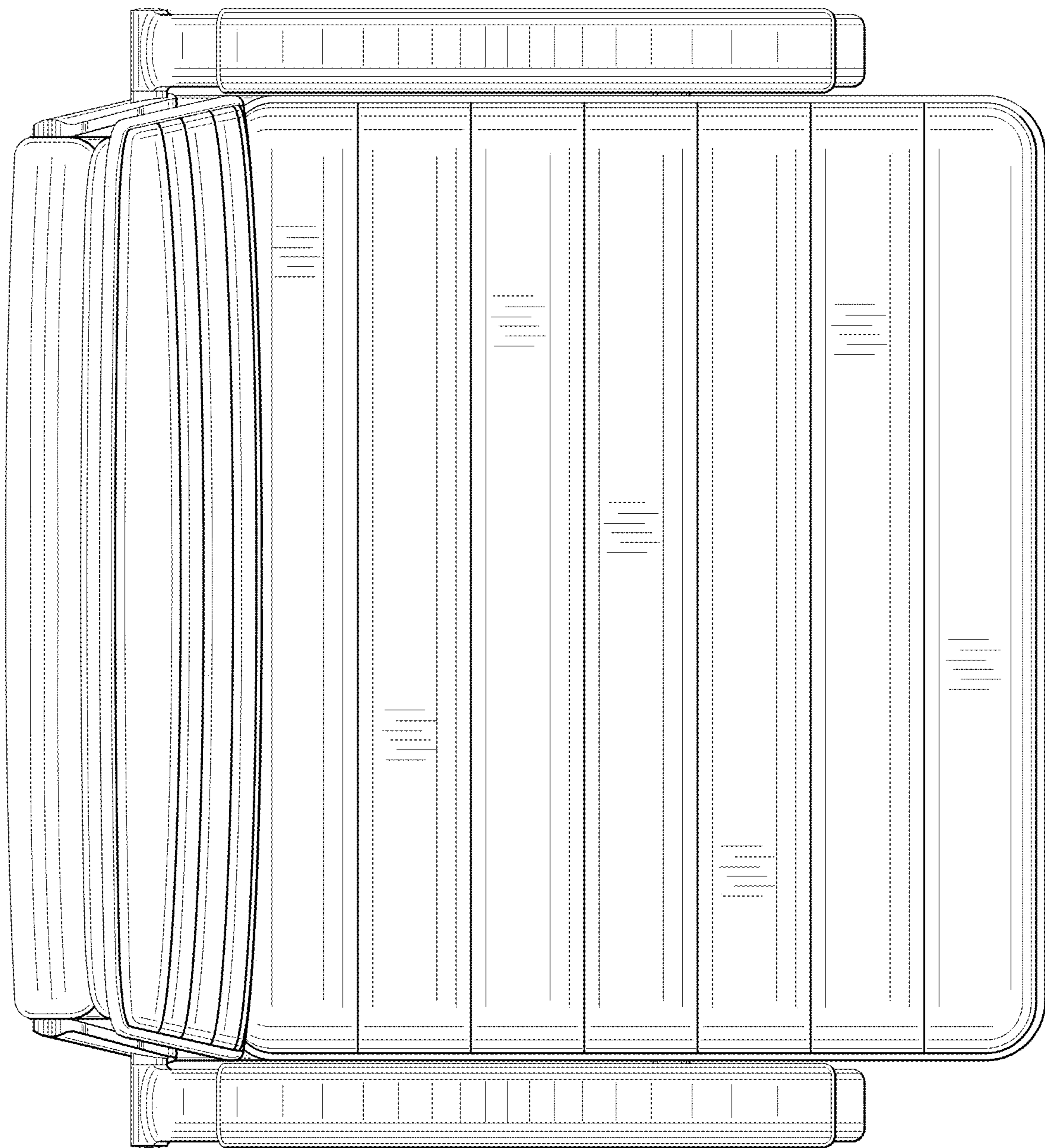


FIG. 14

