



US00D913002S

(12) **United States Design Patent** (10) **Patent No.:** **US D913,002 S**  
**Austad et al.** (45) **Date of Patent:** **\*\* Mar. 16, 2021**

(54) **CHAIR**

(71) Applicant: **Flokk AB**, Nässjö (SE)

(72) Inventors: **Øystein Austad**, Oslo (NO); **Jonas Ravlo Stokke**, Oslo (NO)

(73) Assignee: **Flokk AB**, Nässjö (SE)

(\*\*) Term: **15 Years**

(21) Appl. No.: **29/682,954**

(22) Filed: **Mar. 8, 2019**

(30) **Foreign Application Priority Data**

Jan. 18, 2019 (WO) ..... WIPO79402

(51) **LOC (13) Cl.** ..... **06-01**

(52) **U.S. Cl.**  
USPC ..... **D6/366**

(58) **Field of Classification Search**  
USPC ..... D6/334-336, 364, 365, 366, 367, 374,  
D6/379, 716, 716.1, 716.2, 716.4, 716.5  
(Continued)

(56) **References Cited**

U.S. PATENT DOCUMENTS

D550,976 S \* 9/2007 Bellini ..... D6/366  
D634,558 S \* 3/2011 Deisig ..... D6/366  
(Continued)

*Primary Examiner* — Mimosa De

(74) *Attorney, Agent, or Firm* — Kolisch Hartwell, P.C.

(57) **CLAIM**

The ornamental design for a chair, as shown.

**DESCRIPTION**

FIG. 1 is an upper, front, and right side perspective view of a first embodiment of a chair showing the new design;

FIG. 2 is a lower, rear, and left side perspective view thereof;  
FIG. 3 is a right side elevation view thereof;  
FIG. 4 is a front elevation view thereof;  
FIG. 5 is a left side elevation view thereof;  
FIG. 6 is a rear elevation view thereof;  
FIG. 7 is a front and right side elevation view thereof;  
FIG. 8 is a top plan view thereof;  
FIG. 9 is a bottom plan view thereof;  
FIG. 10 is an upper, front, and right side perspective view of a second embodiment of a chair showing the new design;  
FIG. 11 is a lower, rear, and left side perspective view thereof;  
FIG. 12 is a right side elevation view thereof;  
FIG. 13 is a front elevation view thereof;  
FIG. 14 is a left side elevation view thereof;  
FIG. 15 is a rear elevation view thereof;  
FIG. 16 is a front and right side elevation view thereof;  
FIG. 17 is a top plan view thereof;  
FIG. 18 is a bottom plan view thereof;  
FIG. 19 is an upper, front, and right side perspective view of a third embodiment of a chair showing the new design;  
FIG. 20 is a lower, rear, and left side perspective view thereof;  
FIG. 21 is a right side elevation view thereof;  
FIG. 22 is a front elevation view thereof;  
FIG. 23 is a left side elevation view thereof;  
FIG. 24 is a rear elevation view thereof;  
FIG. 25 is a front and right side elevation view thereof;  
FIG. 26 is a top plan view thereof;  
FIG. 27 is a bottom plan view thereof;  
FIG. 28 is an upper, front, and right side perspective view of a fourth embodiment of a chair showing the new design;  
FIG. 29 is a lower, rear, and left side perspective view thereof;  
FIG. 30 is a right side elevation view thereof;  
FIG. 31 is a front elevation view thereof;  
FIG. 32 is a left side elevation view thereof;  
FIG. 33 is a rear elevation view thereof;  
FIG. 34 is a front and right side elevation view thereof;  
FIG. 35 is a top plan view thereof; and,  
FIG. 36 is a bottom plan view thereof.

**1 Claim, 36 Drawing Sheets**



(58) **Field of Classification Search**

CPC ..... A47C 7/004; A47C 7/006; A47C 7/18;  
A47C 7/24; A47C 7/38; A47C 7/383;  
A47C 7/40; A47C 7/46; A47C 7/54;  
A47C 7/541

See application file for complete search history.

(56) **References Cited**

U.S. PATENT DOCUMENTS

D655,524	S	*	3/2012	Kim	.....	D6/366
D665,591	S	*	8/2012	Tanaka	.....	D6/366
D695,538	S	*	12/2013	Geelen	.....	D6/366
9,648,957	B2	*	5/2017	Su	.....	A47C 7/46
D792,717	S	*	7/2017	Webb	.....	D6/366
D800,469	S	*	10/2017	Barber	.....	D6/366
D801,066	S	*	10/2017	Barber	.....	D6/366
D801,717	S	*	11/2017	Barber	.....	D6/366
D802,314	S	*	11/2017	Barber	.....	D6/366
D893,908	S	*	8/2020	Borghov	.....	D6/366
D893,909	S	*	8/2020	Zhong	.....	D6/366
D904,058	S	*	12/2020	He	.....	D6/366

\* cited by examiner



FIG. 1



FIG. 2



FIG. 3



FIG. 4



FIG. 5



FIG. 6





FIG. 7



FIG. 8

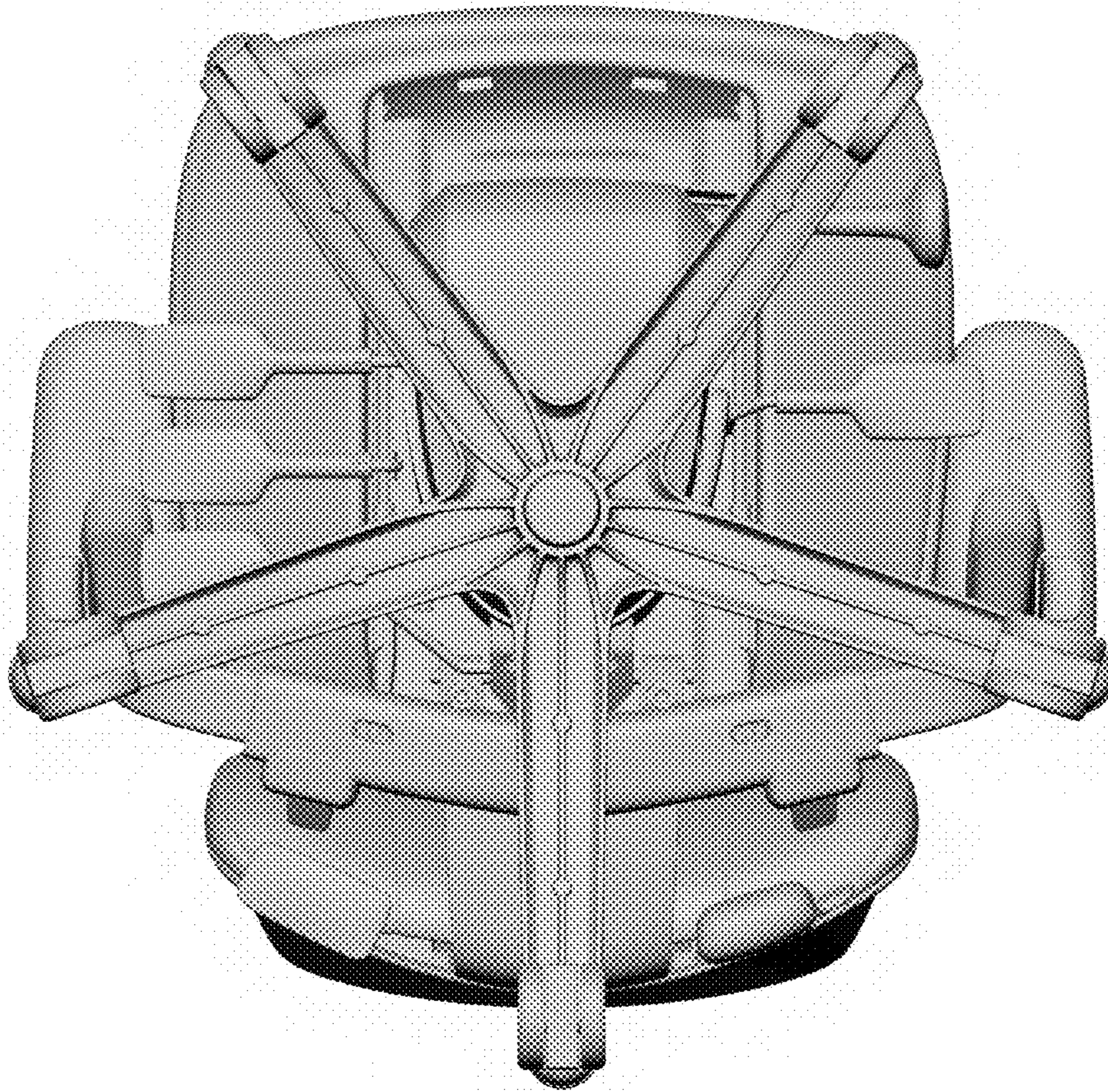


FIG. 9



FIG. 10



FIG. 11



FIG. 12



FIG. 13



FIG. 14





FIG. 15



FIG. 16



FIG. 17

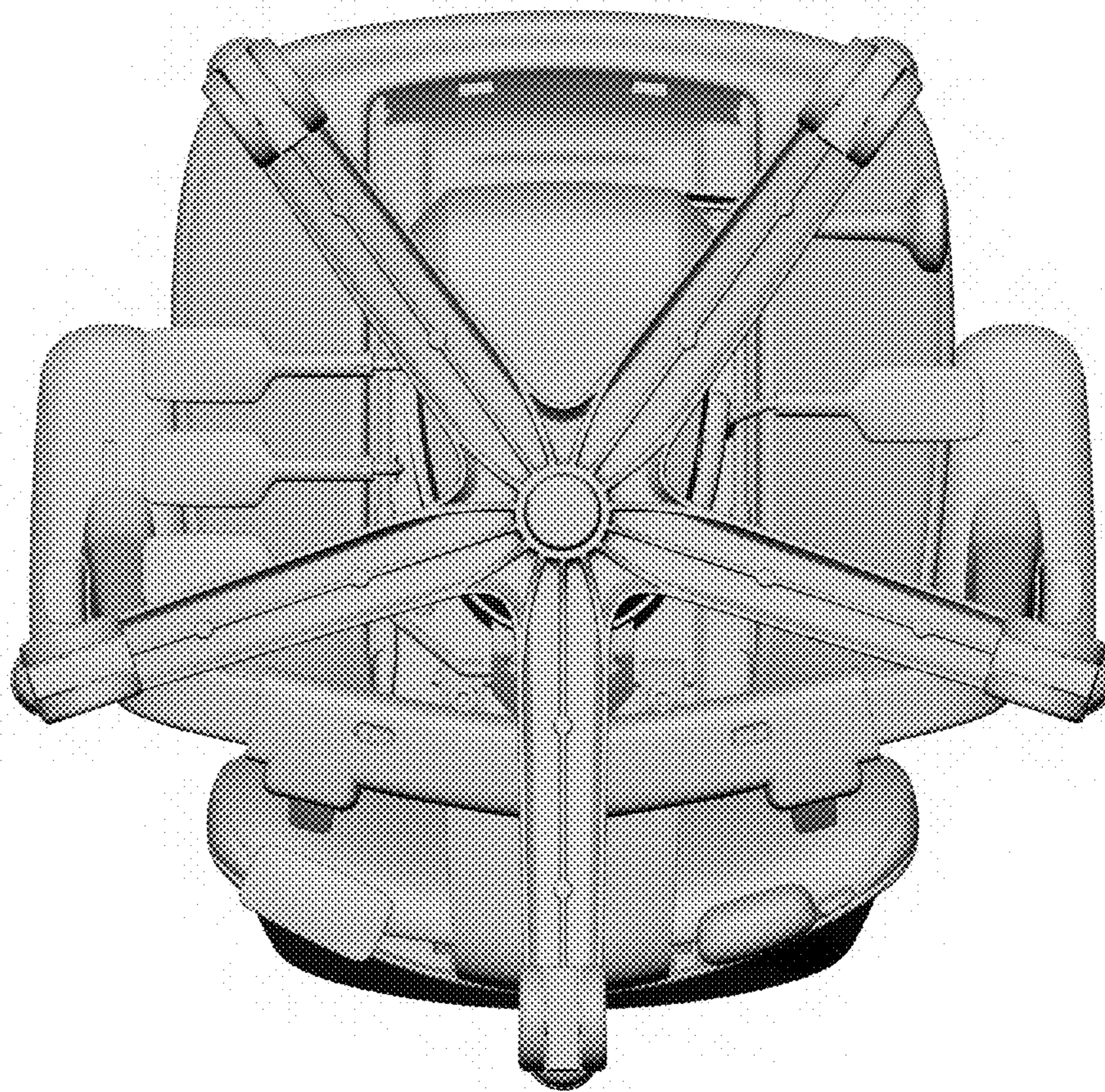


FIG. 18



FIG. 19



FIG. 20



FIG. 21



FIG. 22





FIG. 23



FIG. 24



FIG. 25



FIG. 26

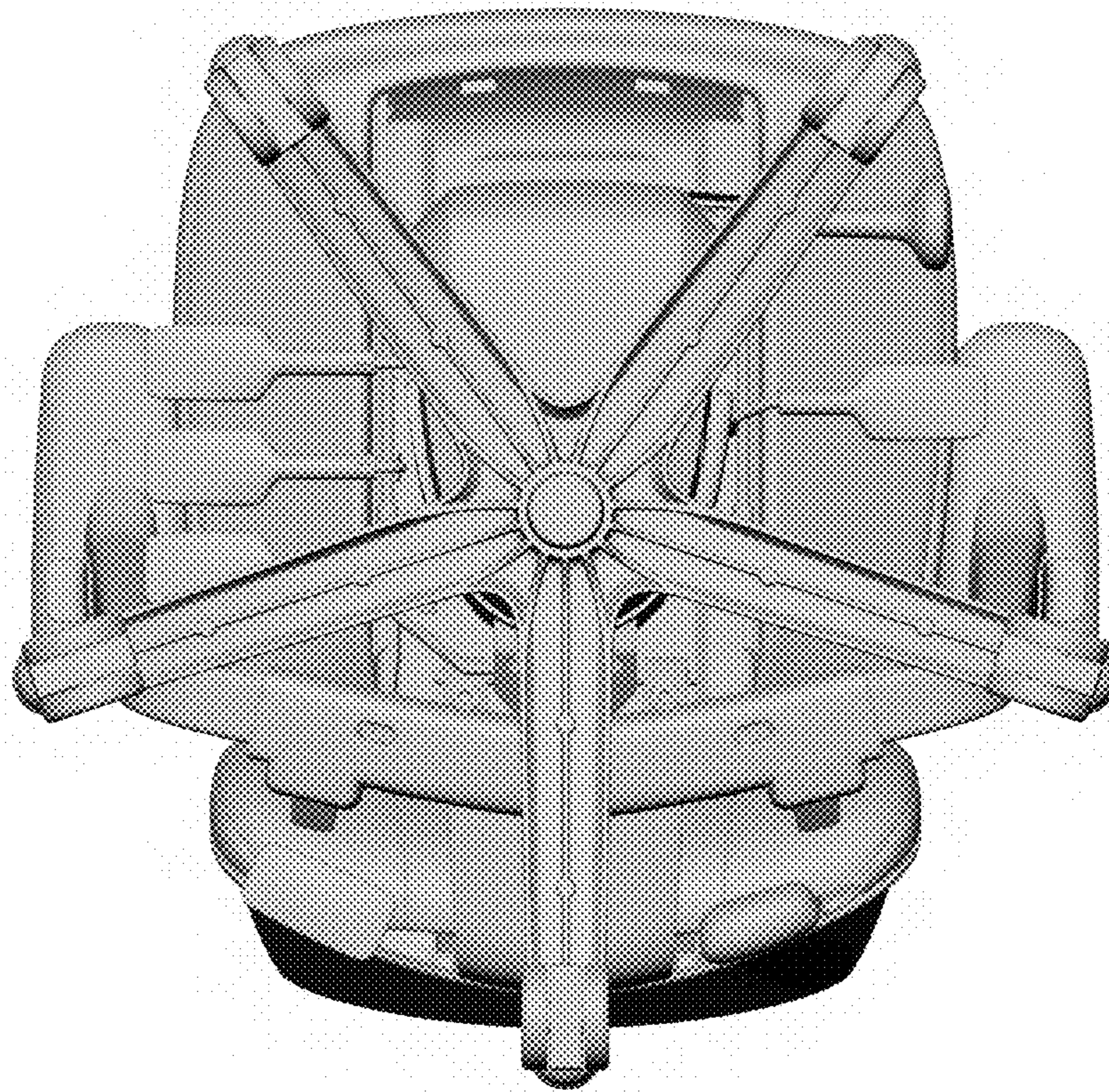


FIG. 27



FIG. 28



FIG. 29



FIG. 30





FIG. 31



FIG. 32

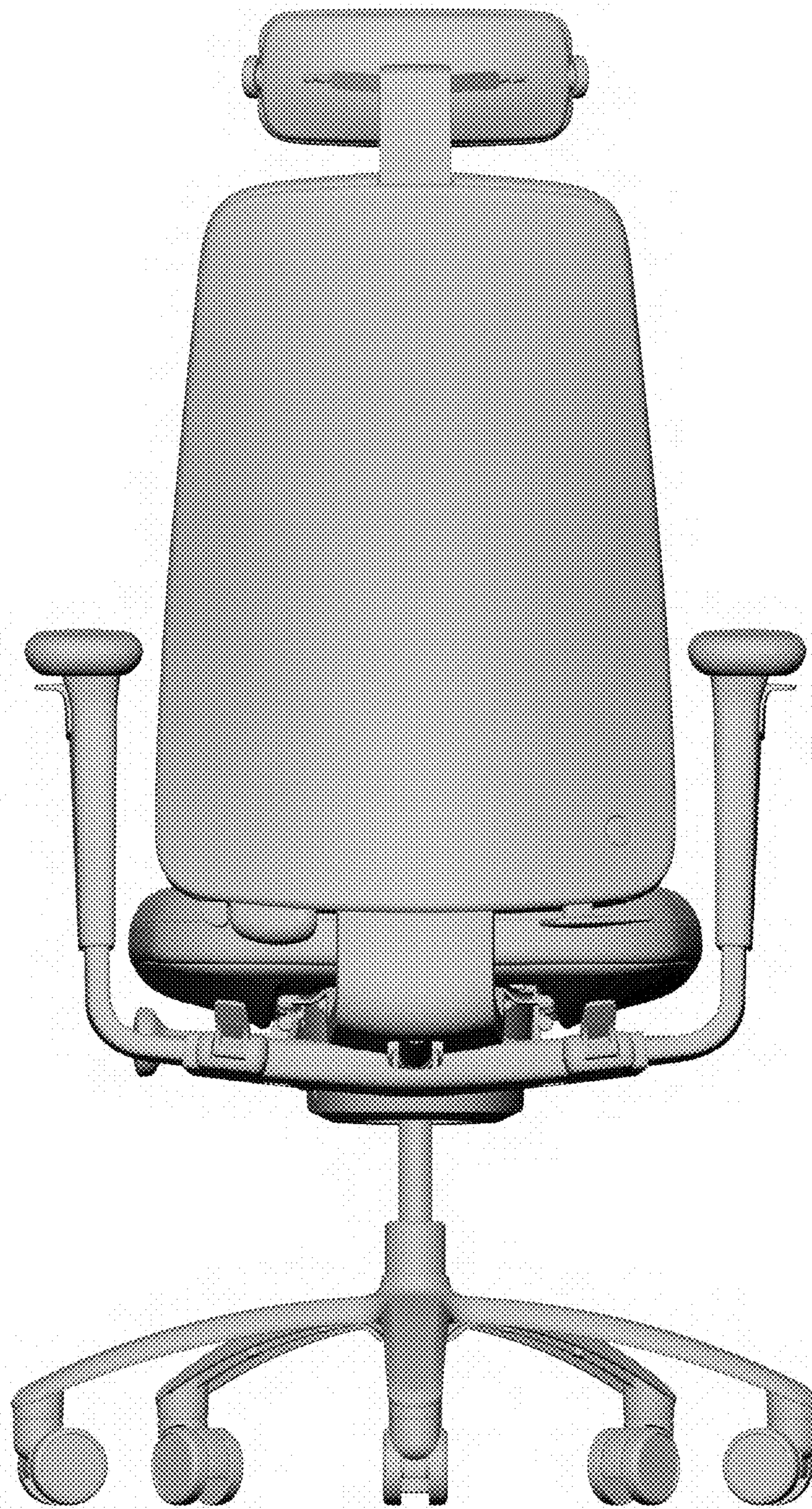


FIG. 33



FIG. 34



FIG. 35

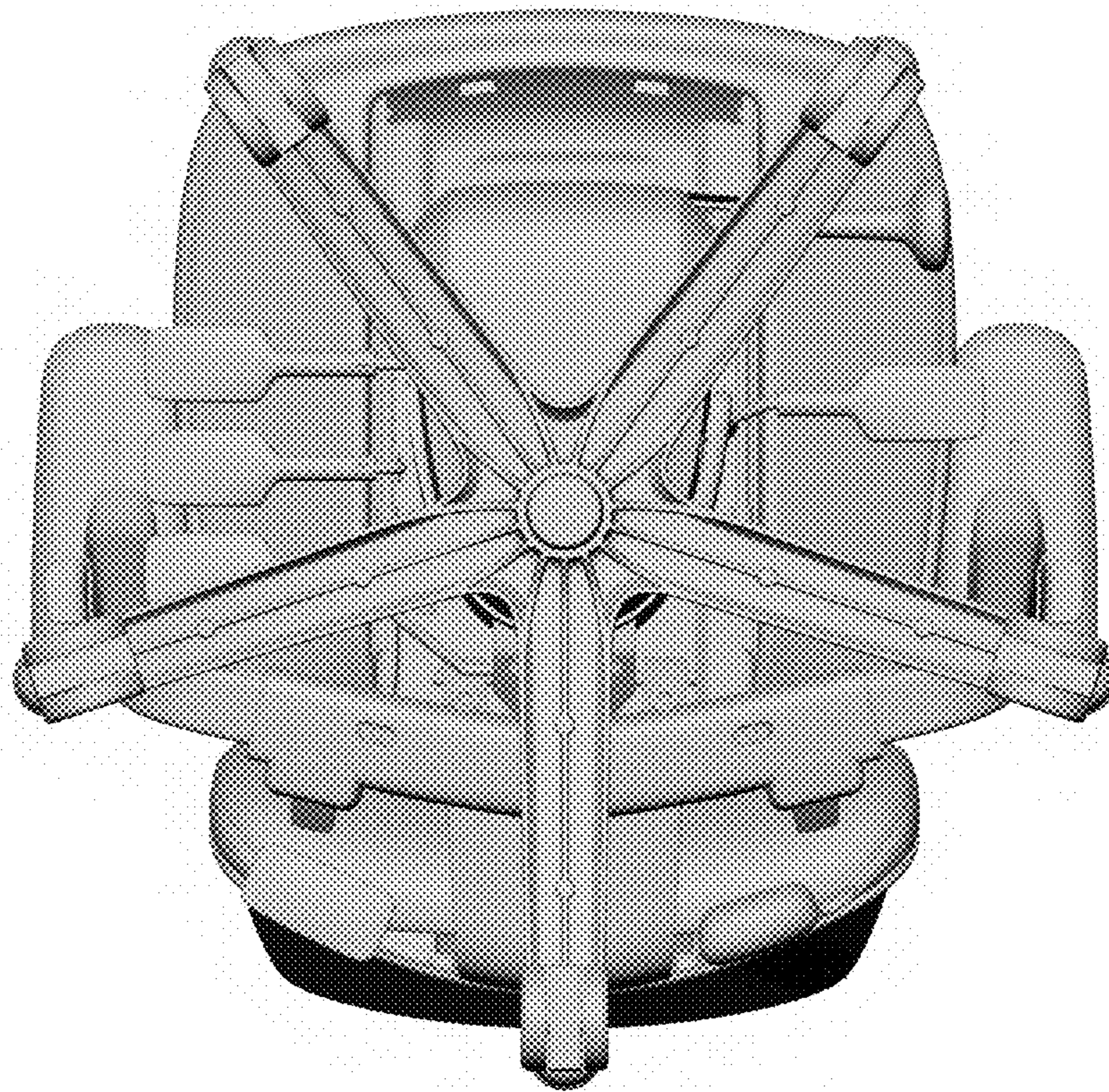


FIG. 36